



US00D899632S

(12) **United States Design Patent**  
**Roberts et al.**

(10) **Patent No.:** **US D899,632 S**

(45) **Date of Patent:** **\*\* Oct. 20, 2020**

(54) **EXTRUSION**

(71) Applicant: **INFINITY RETRACTABLE  
SCREENS PTY LTD**, Currumbin  
Waters (AU)

(72) Inventors: **Anthony Gerard Roberts**, Currumbin  
Waters (AU); **Aaron Rodd**, Currumbin  
Waters (AU)

(73) Assignee: **INFINITY RETRACTABLE  
SCREENS PTY LTD (AU)**

(\*\*) Term: **15 Years**

(21) Appl. No.: **29/701,226**

(22) Filed: **Aug. 9, 2019**

(30) **Foreign Application Priority Data**

Feb. 18, 2019 (AU) ..... 201910849

(51) **LOC (12) Cl.** ..... **25-01**

(52) **U.S. Cl.**  
USPC ..... **D25/119**

(58) **Field of Classification Search**  
USPC ..... D25/35, 48.2, 48.8, 119–125, 133, 135,  
D25/164; D8/354, 373, 374, 376, 377;  
D20/43, 44

CPC ..... E06B 2009/543; E06B 3/30; E06B 3/305;  
E06B 3/306; E06B 9/52

See application file for complete search history.

(56) **References Cited**

U.S. PATENT DOCUMENTS

D162,843 S \* 4/1951 Klein ..... D25/119  
D221,529 S \* 8/1971 Kimmel ..... D25/119  
D251,448 S \* 3/1979 Bancroft ..... D25/119  
D251,450 S \* 3/1979 Bancroft ..... D25/119  
D251,505 S \* 4/1979 Bancroft ..... D25/119

D261,315 S \* 10/1981 Schmidt ..... D25/119  
D283,358 S \* 4/1986 Slocomb, Jr. .... D25/125  
D286,078 S \* 10/1986 Bancroft ..... D25/119  
D286,196 S \* 10/1986 Bancroft ..... D25/119  
D286,197 S \* 10/1986 Bancroft ..... D25/119  
D286,199 S \* 10/1986 Bancroft ..... D25/119  
D286,200 S \* 10/1986 Bancroft ..... D25/119  
D286,201 S \* 10/1986 Bancroft ..... D25/119  
6,161,344 A \* 12/2000 Blanchett ..... E06B 1/62  
52/204.2  
6,526,709 B1 \* 3/2003 Jacobsen ..... E06B 1/02  
52/202  
D553,261 S \* 10/2007 Antonic ..... D25/119  
D554,773 S \* 11/2007 Antonic ..... D25/119  
D623,767 S \* 9/2010 Antonic ..... D25/119  
D624,206 S \* 9/2010 Antonic ..... D25/119  
D772,433 S \* 11/2016 Krause ..... D25/119  
D780,942 S \* 3/2017 Krause ..... E04B 1/7629  
D25/119

(Continued)

*Primary Examiner* — Llorellys Martinez

(74) *Attorney, Agent, or Firm* — Lerner, David,  
Littenberg, Krumholz & Mentlik, LLP

(57) **CLAIM**

The ornamental design for an extrusion, as shown and  
described.

**DESCRIPTION**

FIG. 1 is a front perspective view of an extrusion according  
to our design;

FIG. 2 is a right side elevation view thereof;

FIG. 3 is a left side elevation view thereof;

FIG. 4 is a front elevation view thereof;

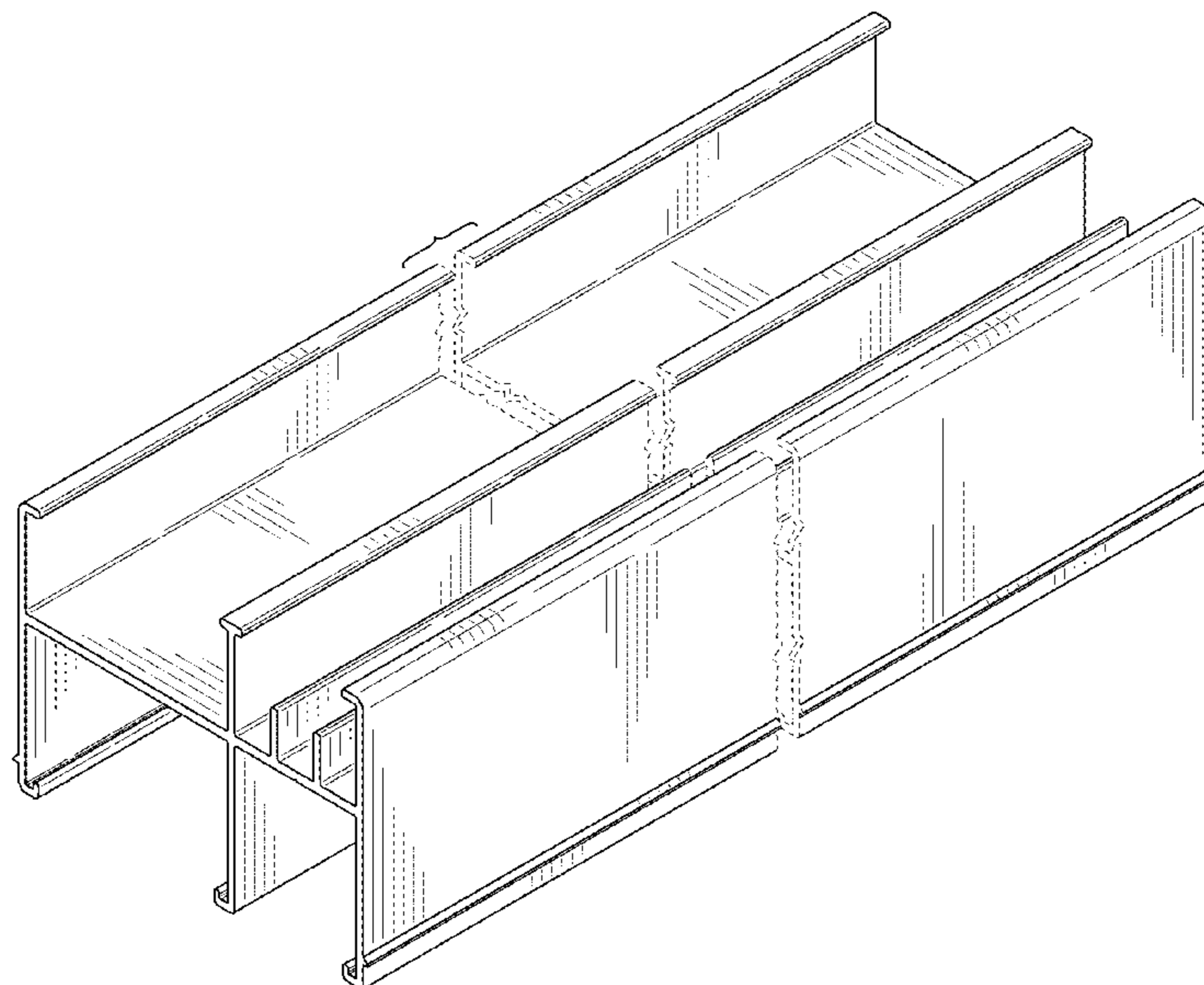
FIG. 5 is a rear elevation view thereof;

FIG. 6 is a top plan view thereof; and,

FIG. 7 is a bottom plan view thereof.

The extrusion is shown with a symbolic break in its length.  
The appearance of any portion of the extrusion between the  
break lines forms no part of the claimed design.

**1 Claim, 5 Drawing Sheets**



(56)

**References Cited**

U.S. PATENT DOCUMENTS

D780,943 S *	3/2017	Krause .....	D25/119
D781,459 S *	3/2017	Krause .....	D25/119
D781,460 S *	3/2017	Krause .....	D25/119
D782,707 S *	3/2017	Krause .....	D25/119
D810,553 S *	2/2018	Amato .....	D25/125
D859,140 S *	9/2019	Kovacs .....	D25/119
2004/0045229 A1 *	3/2004	Coslovi .....	E06B 1/62 52/127.3

\* cited by examiner

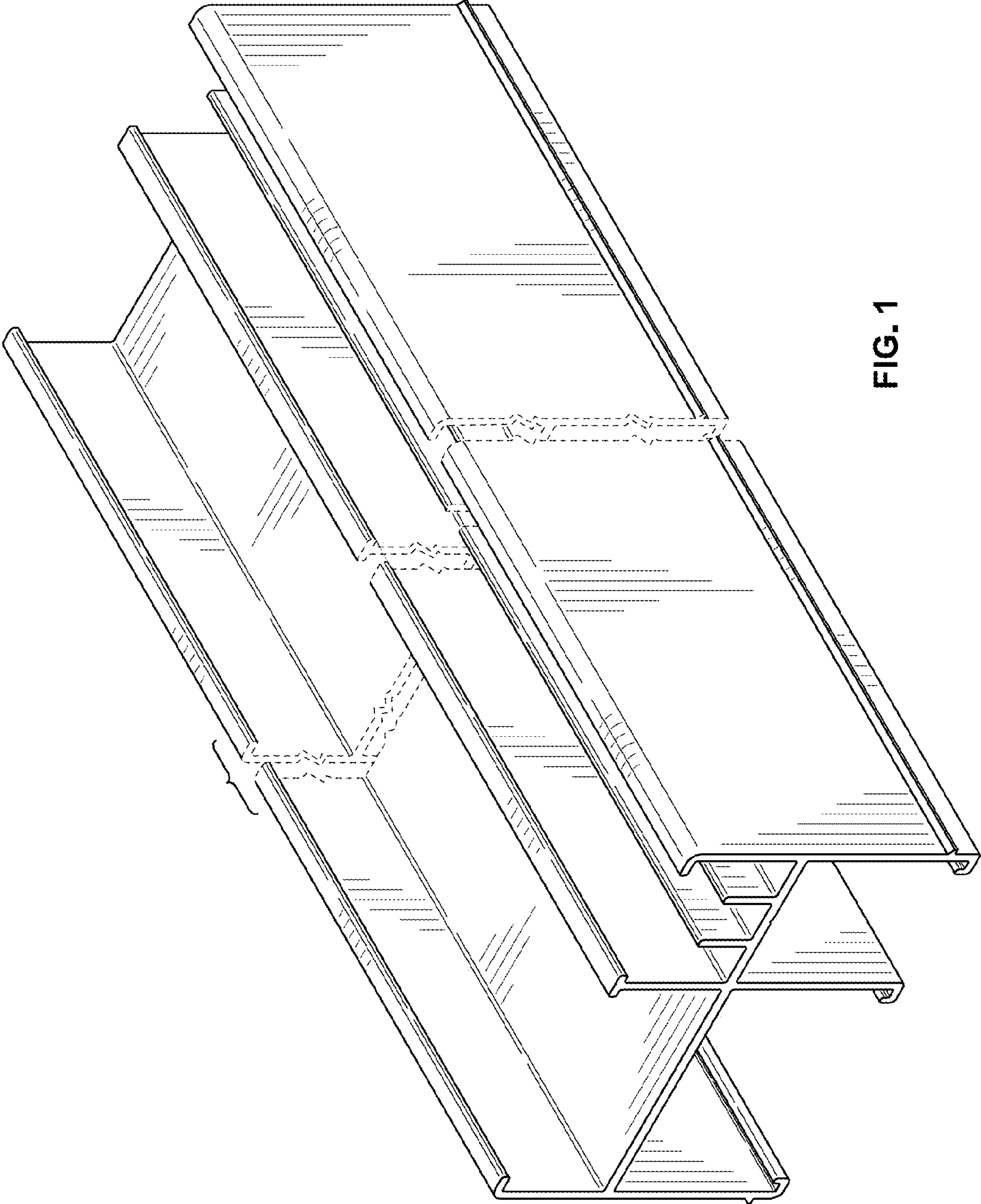


FIG. 1

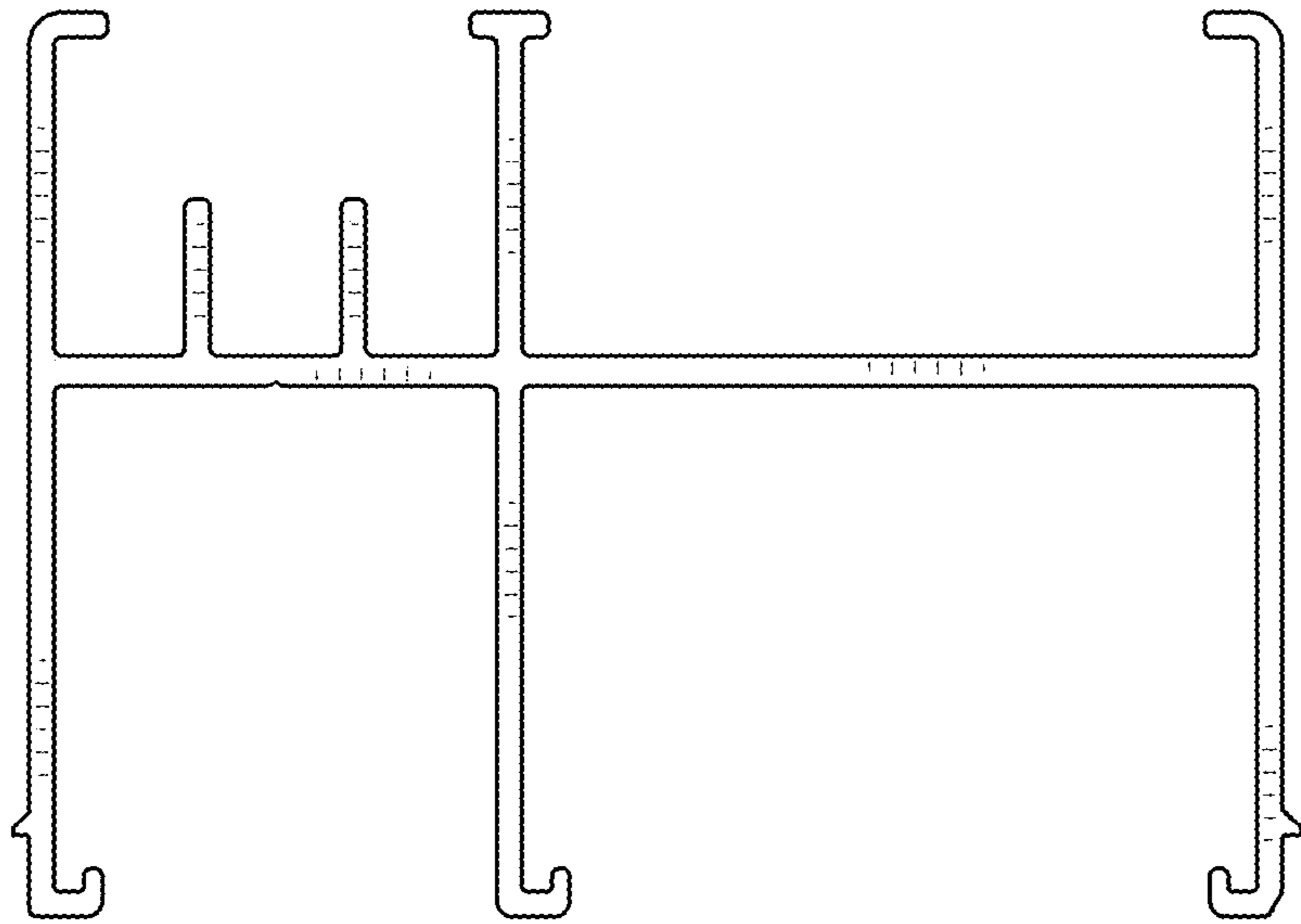


FIG. 2

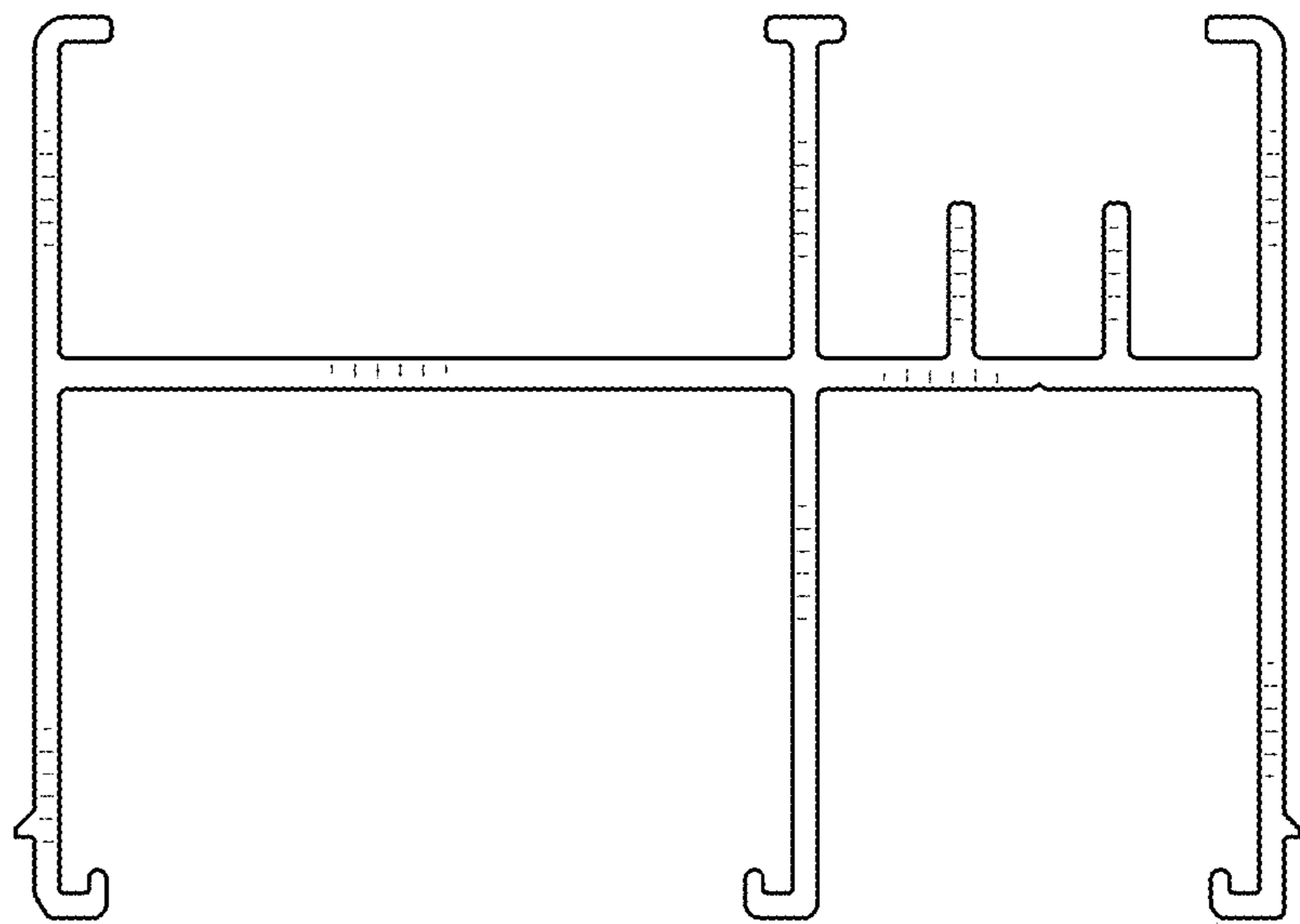


FIG. 3



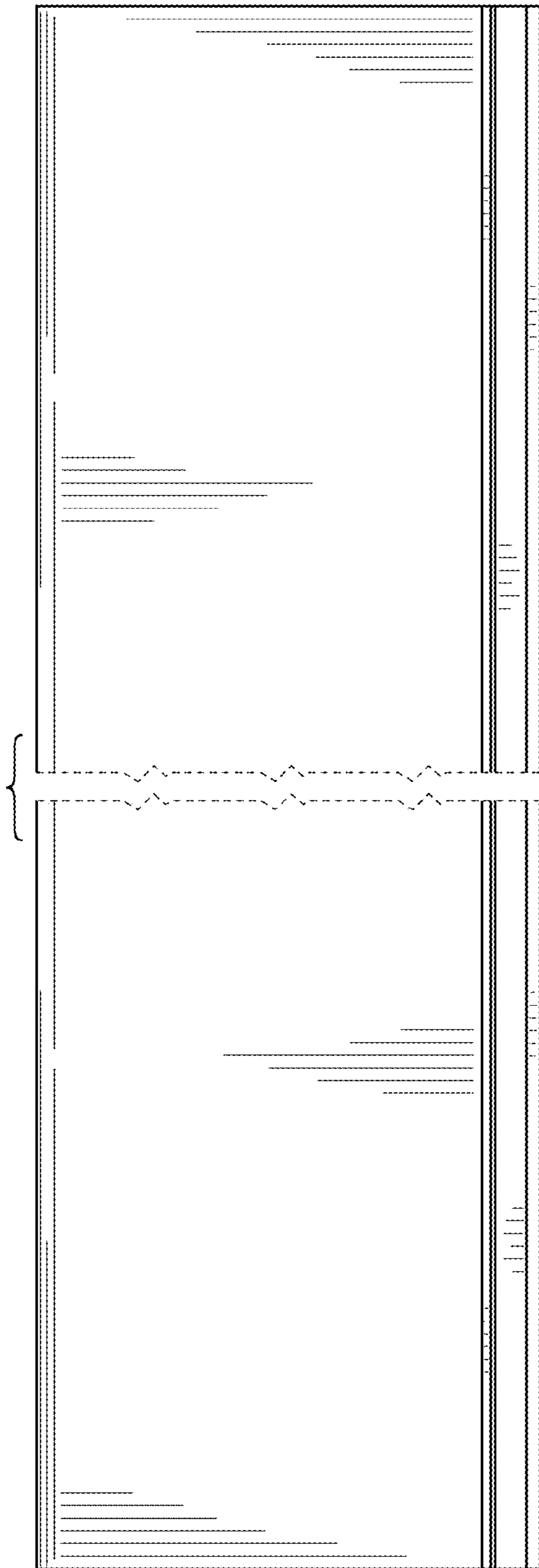


FIG. 4

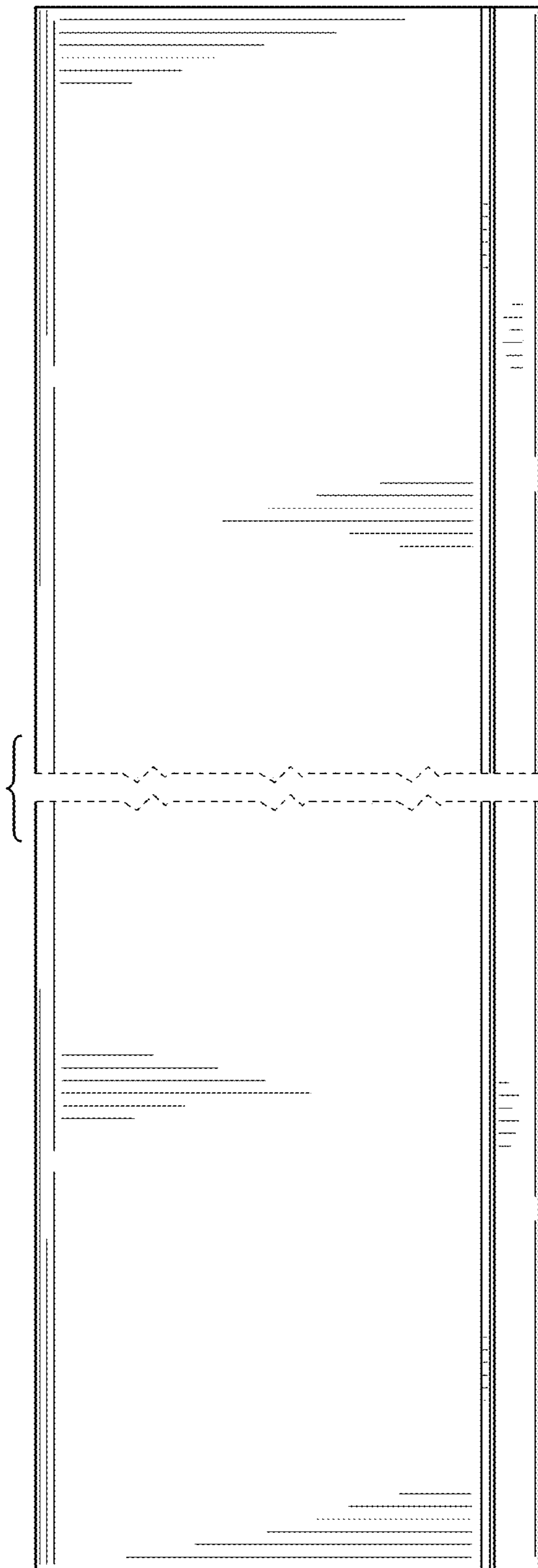


FIG. 5

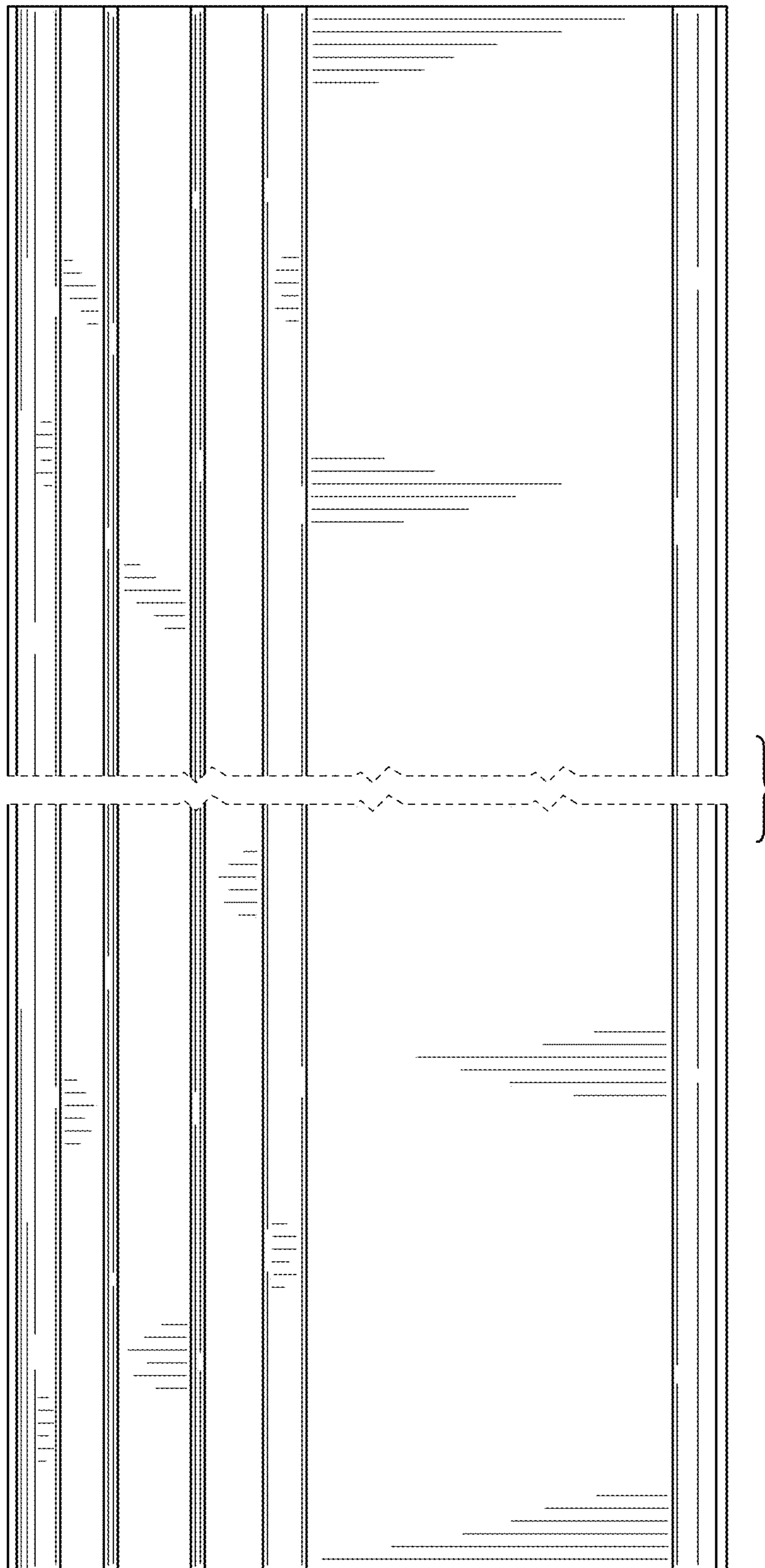


FIG. 6

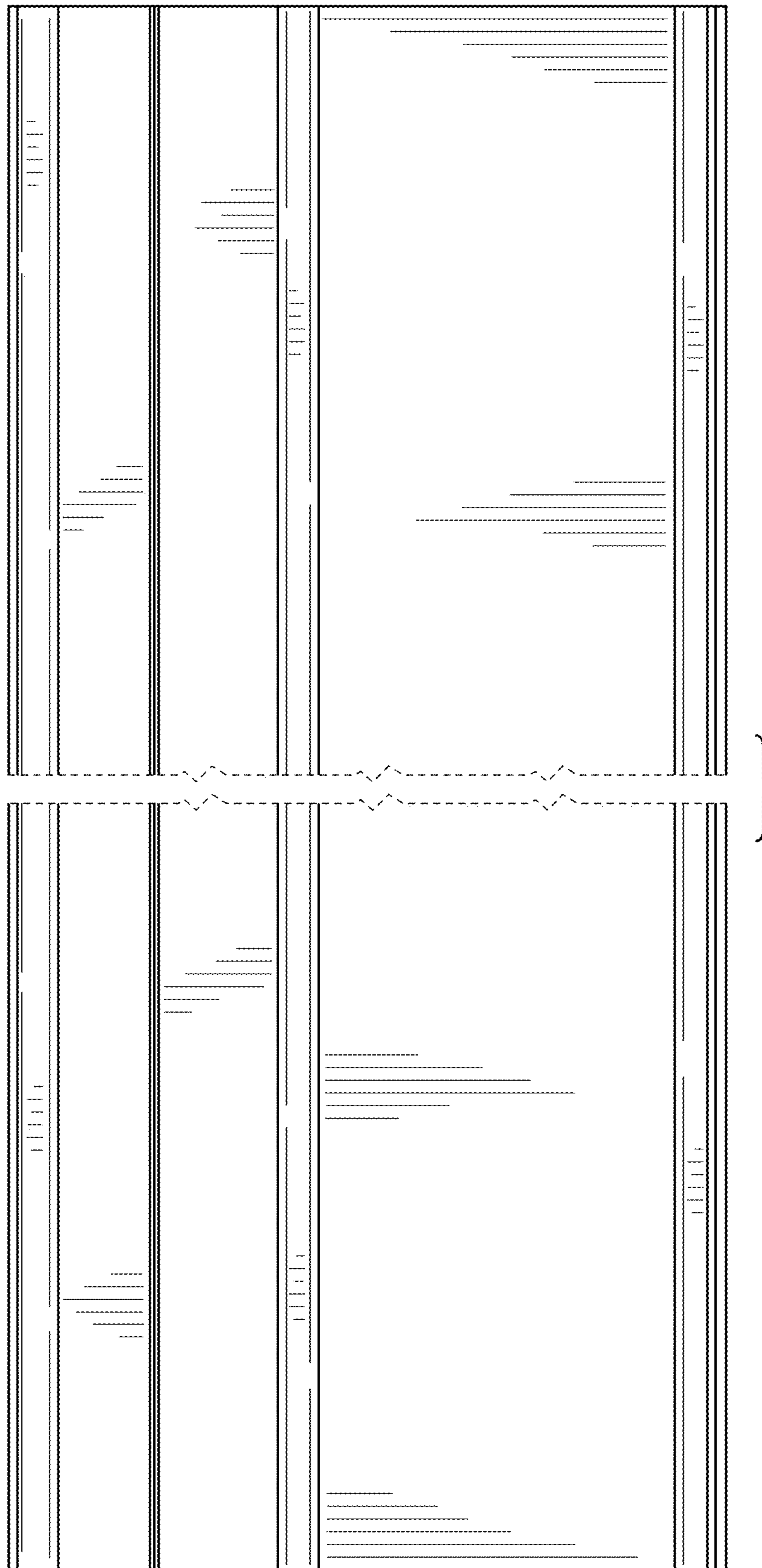


FIG. 7