

US00D899628S

(12) **United States Design Patent** (10) **Patent No.:** **US D899,628 S**  
**Moncada** (45) **Date of Patent:** **\*\* Oct. 20, 2020**

(54) **LADDER**

FOREIGN PATENT DOCUMENTS

(71) Applicant: **LOUISVILLE LADDER INC.**,  
Louisville, KY (US)

CA 2 883 793 A1 4/2014

*Primary Examiner* — Gino Colan

(72) Inventor: **Francisco Javier Moreno Moncada**,  
Nuevo León C.P. (MX)

(74) *Attorney, Agent, or Firm* — Orrick, Herrington & Sutcliffe, LLP

(73) Assignee: **LOUISVILLE LADDER INC.**,  
Louisville, KY (US)

(57) **CLAIM**

The ornamental design for a ladder, as shown and described.

(\*\*) Term: **15 Years**

**DESCRIPTION**

(21) Appl. No.: **29/659,558**

(22) Filed: **Aug. 9, 2018**

(51) **LOC (12) Cl.** ..... **25-04**

(52) **U.S. Cl.**  
USPC ..... **D25/64**

(58) **Field of Classification Search**  
USPC .... D25/62–65, 68, 69; 182/165, 104, 180.1,  
182/22, 21, 115, 194  
CPC ... E06C 1/393; E06C 1/18; E06C 1/39; E06C  
1/383; E06C 1/32; E06C 1/3835  
See application file for complete search history.

FIG. 1 is a perspective view of a ladder showing my new and ornamental design, wherein a shelf and rails of the ladder are shown in a folded position;

FIG. 2 is a top view of FIG. 1;

FIG. 3 is a bottom view of FIG. 1;

FIG. 4 is a front view of FIG. 1;

FIG. 5 is a back view of FIG. 1;

FIG. 6 is a right-side view of FIG. 1;

FIG. 7 is a left-side view of FIG. 1;

FIG. 8 is a perspective view for the ladder of FIGS. 1-7, wherein the rails of the ladder are shown in the folded position and the shelf is shown in an unfolded position;

FIG. 9 is a top view of FIG. 8;

FIG. 10 is a bottom view of FIG. 8;

FIG. 11 is a front view of FIG. 8;

FIG. 12 is a back view of FIG. 8;

FIG. 13 is a right-side view of FIG. 8;

FIG. 14 is a left-side view of FIG. 8;

FIG. 15 is a perspective view for the ladder of FIGS. 1-7, wherein the shelf and the rails of the ladder are shown in the unfolded position;

FIG. 16 is a top view illustrating the new and ornamental design for the ladder of FIG. 15;

FIG. 17 is a bottom view of FIG. 15;

FIG. 18 is a front view of FIG. 15;

FIG. 19 is a back view of FIG. 15;

FIG. 20 is a right-side view of FIG. 15; and,

FIG. 21 is a left-side view of FIG. 15.

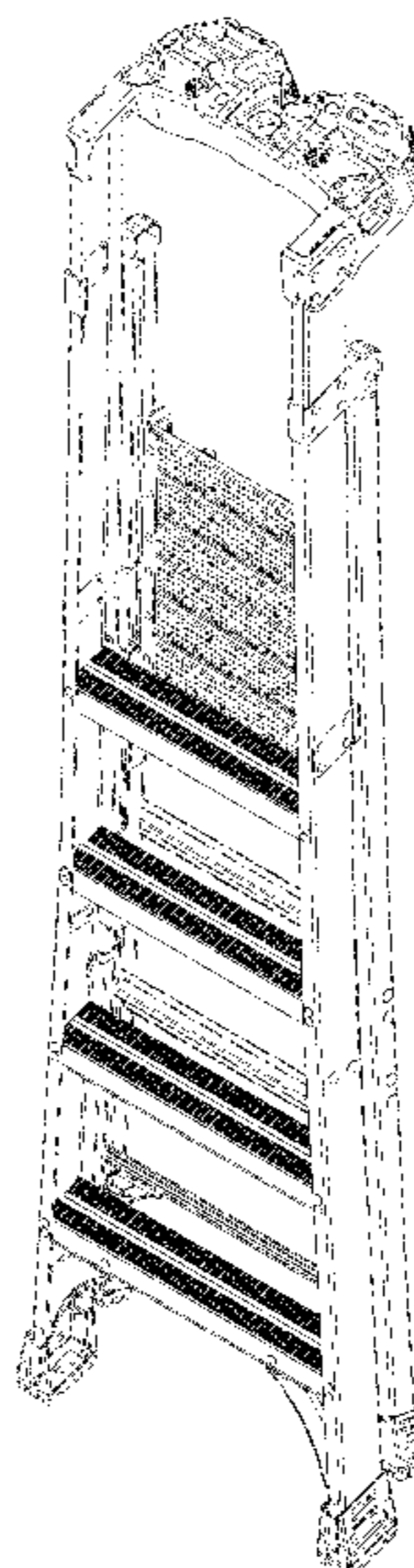
(56) **References Cited**

U.S. PATENT DOCUMENTS

D388,882 S *	1/1998	Kain	.....	D25/64
D433,156 S *	10/2000	Gibson	.....	D25/64
D449,385 S *	10/2001	Rosko	.....	D25/64
7,219,766 B2	5/2007	Deuer		
D548,364 S *	8/2007	Skubic	.....	D25/64
D549,356 S	8/2007	Gibson		
7,753,170 B1	7/2010	Gibson		
9,382,759 B2	7/2016	Bolinski et al.		
9,404,306 B2	8/2016	Russell et al.		
9,593,531 B2	3/2017	Ballard et al.		
9,797,194 B2	10/2017	Moss et al.		
10,221,624 B2 *	3/2019	Leng	.....	E06C 1/20

(Continued)

**1 Claim, 19 Drawing Sheets**



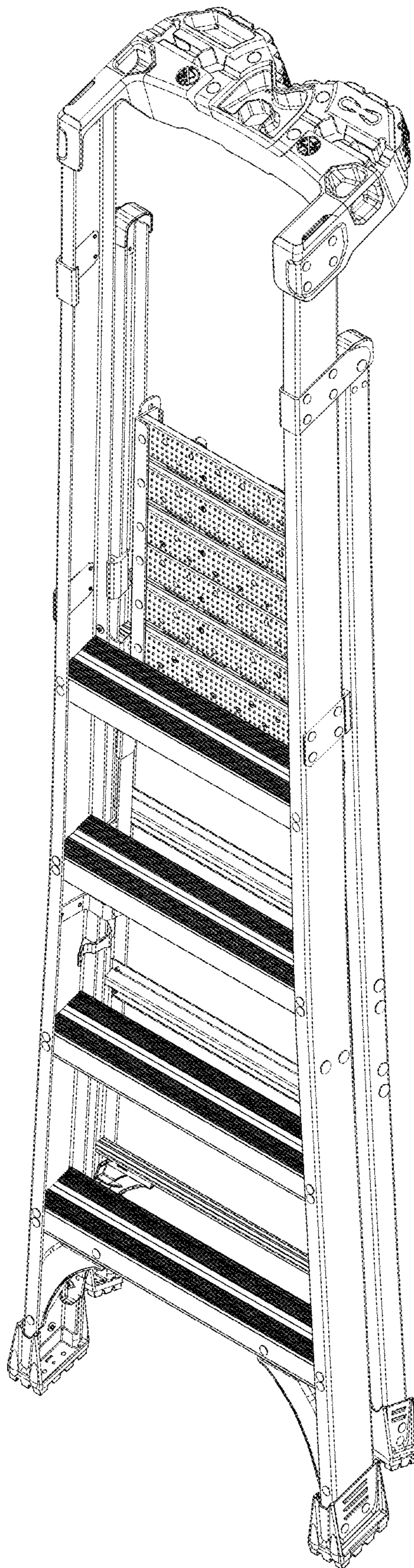
(56)

**References Cited**

U.S. PATENT DOCUMENTS

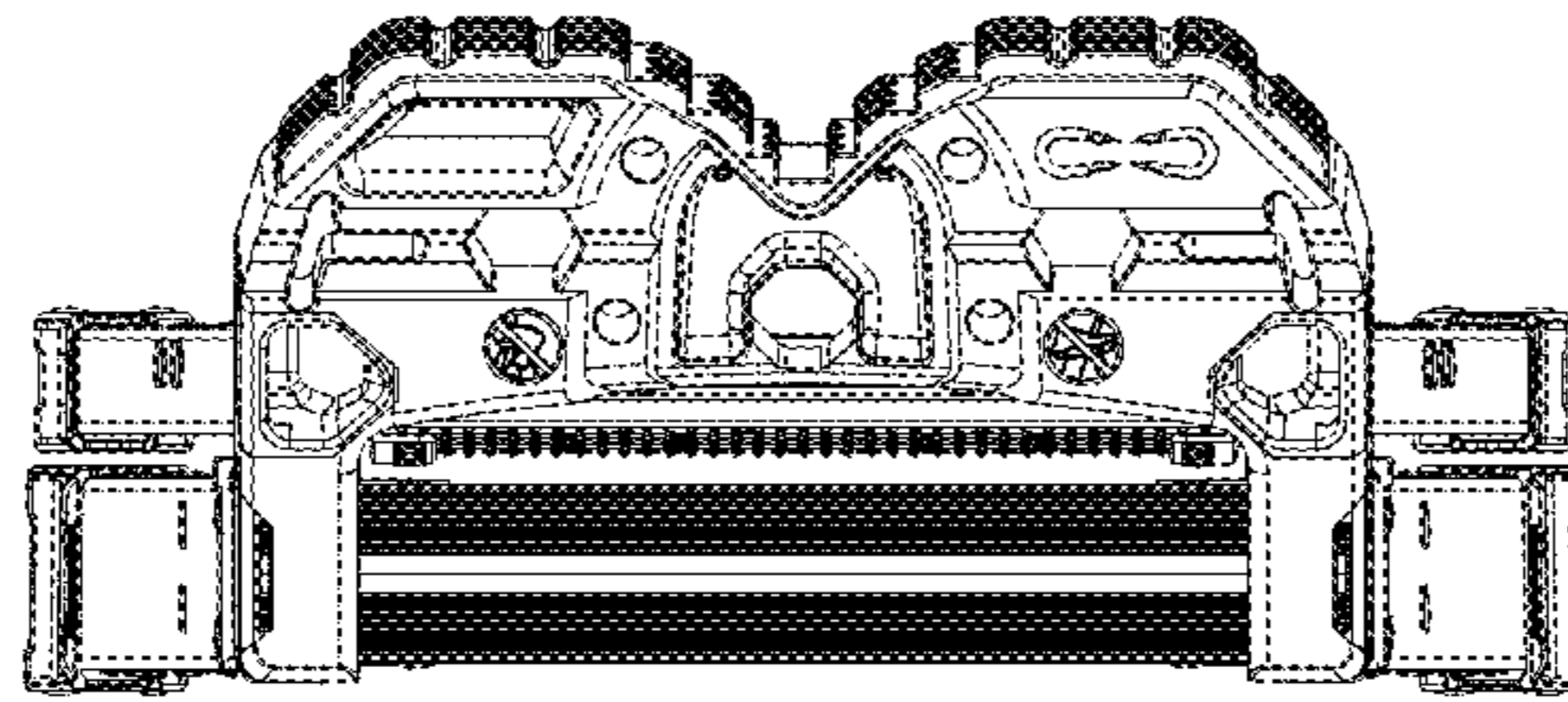
10,487,576	B2 *	11/2019	Ballard	.....	E06C 7/06
10,597,941	B2 *	3/2020	Moss	.....	E06C 7/46
10,648,234	B2 *	5/2020	Skubic	.....	E06C 1/393
2005/0284703	A1	12/2005	Deuer		
2014/0367194	A1	12/2014	Bolinski et al.		
2018/0044989	A1	2/2018	Moss et al.		

\* cited by examiner

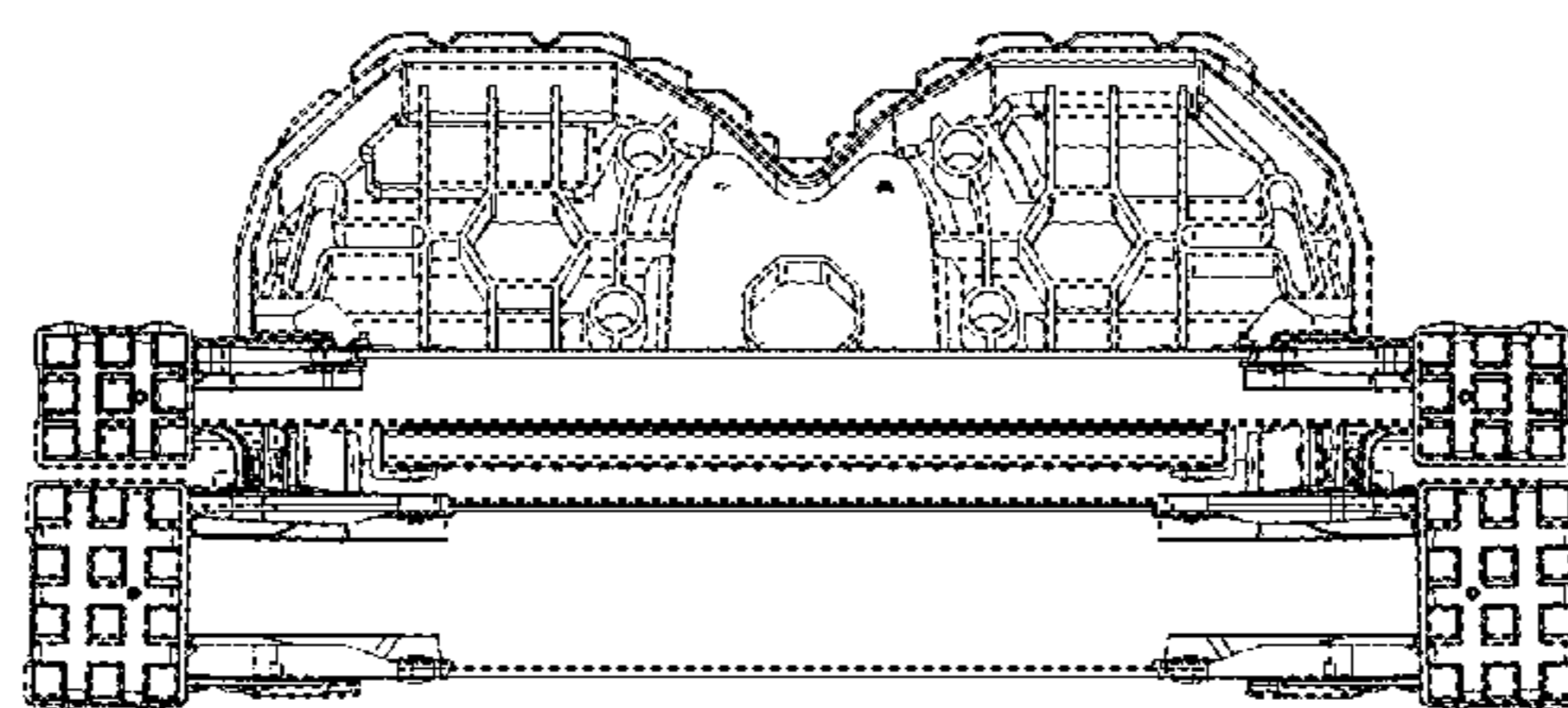


**FIG. 1**

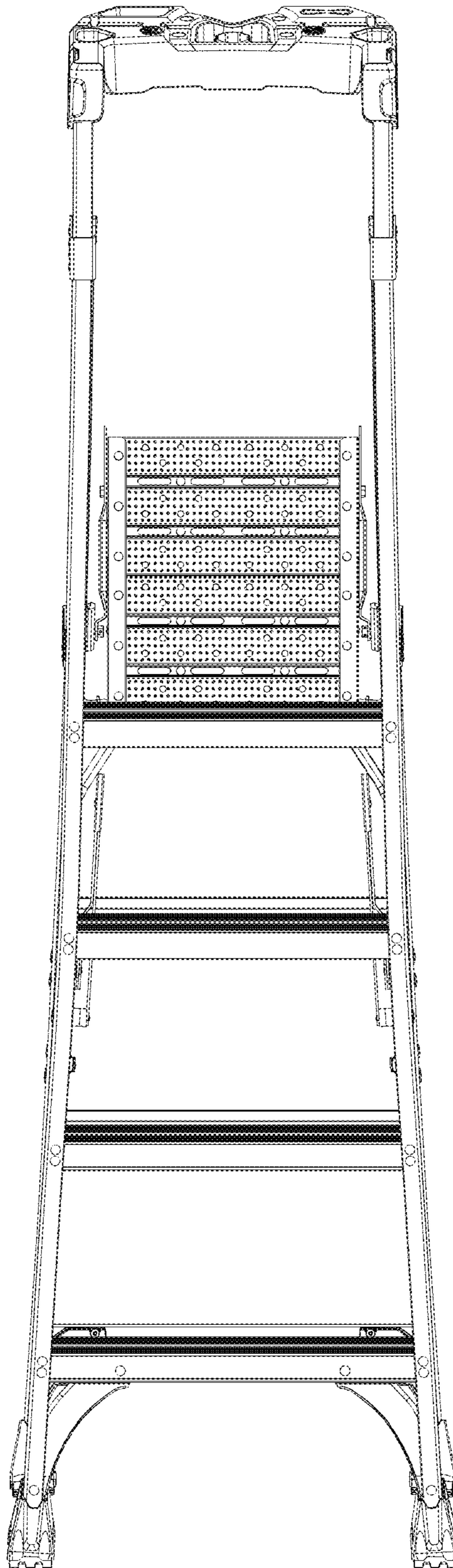




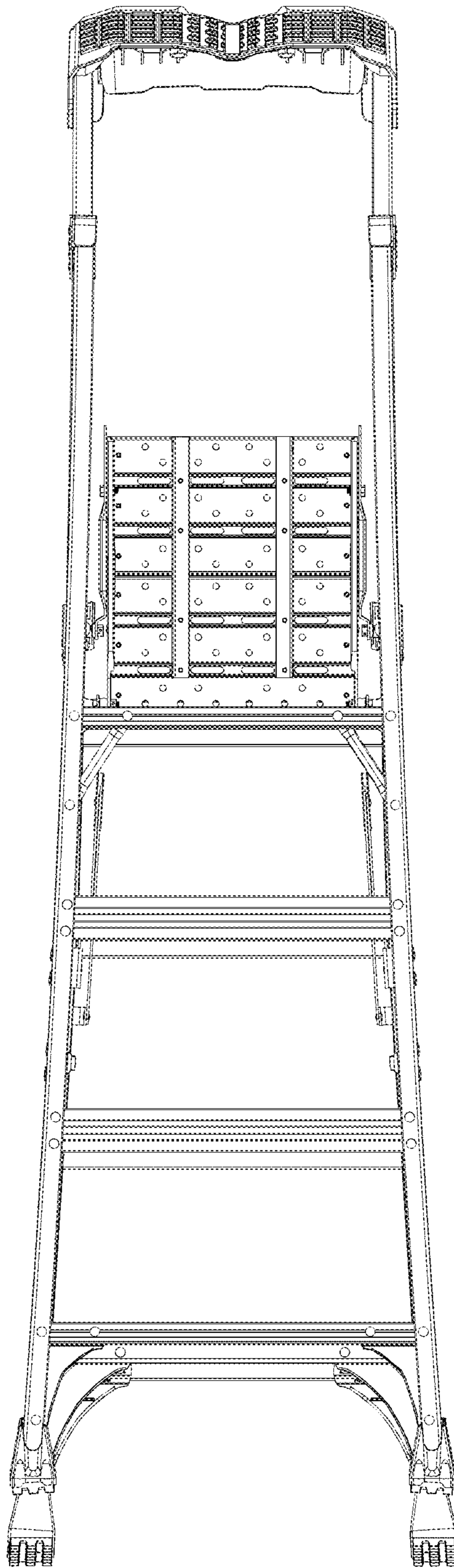
**FIG. 2**



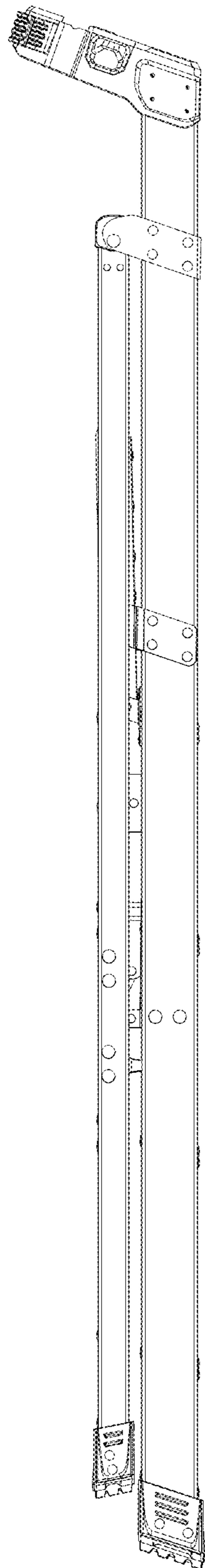
**FIG. 3**



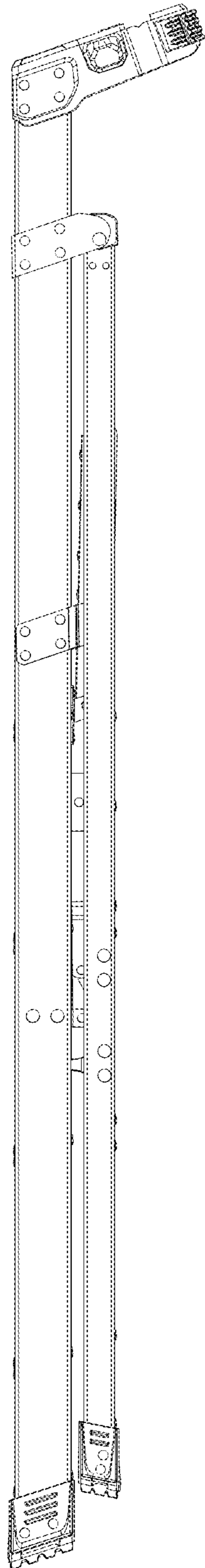
**FIG. 4**



**FIG. 5**

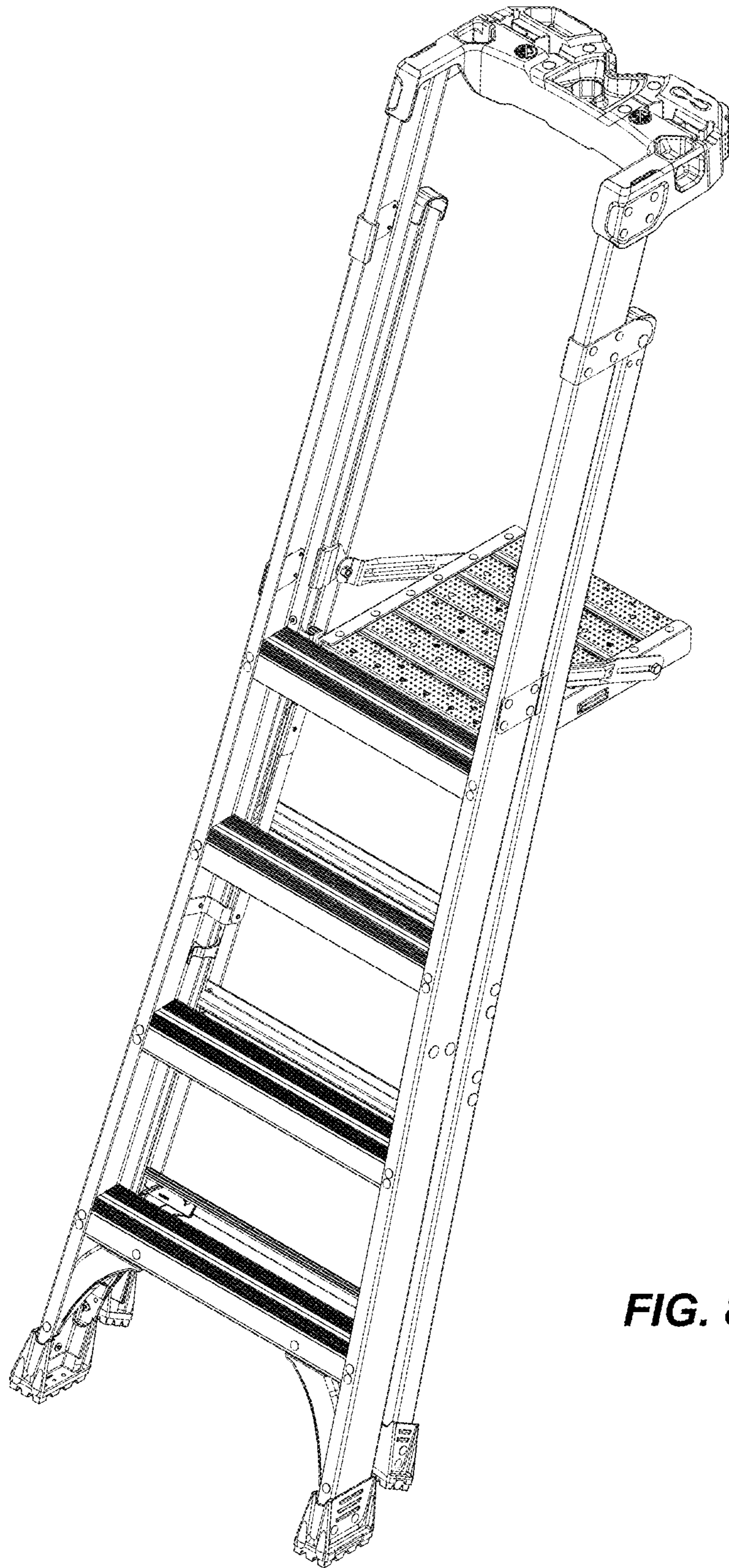


**FIG. 6**

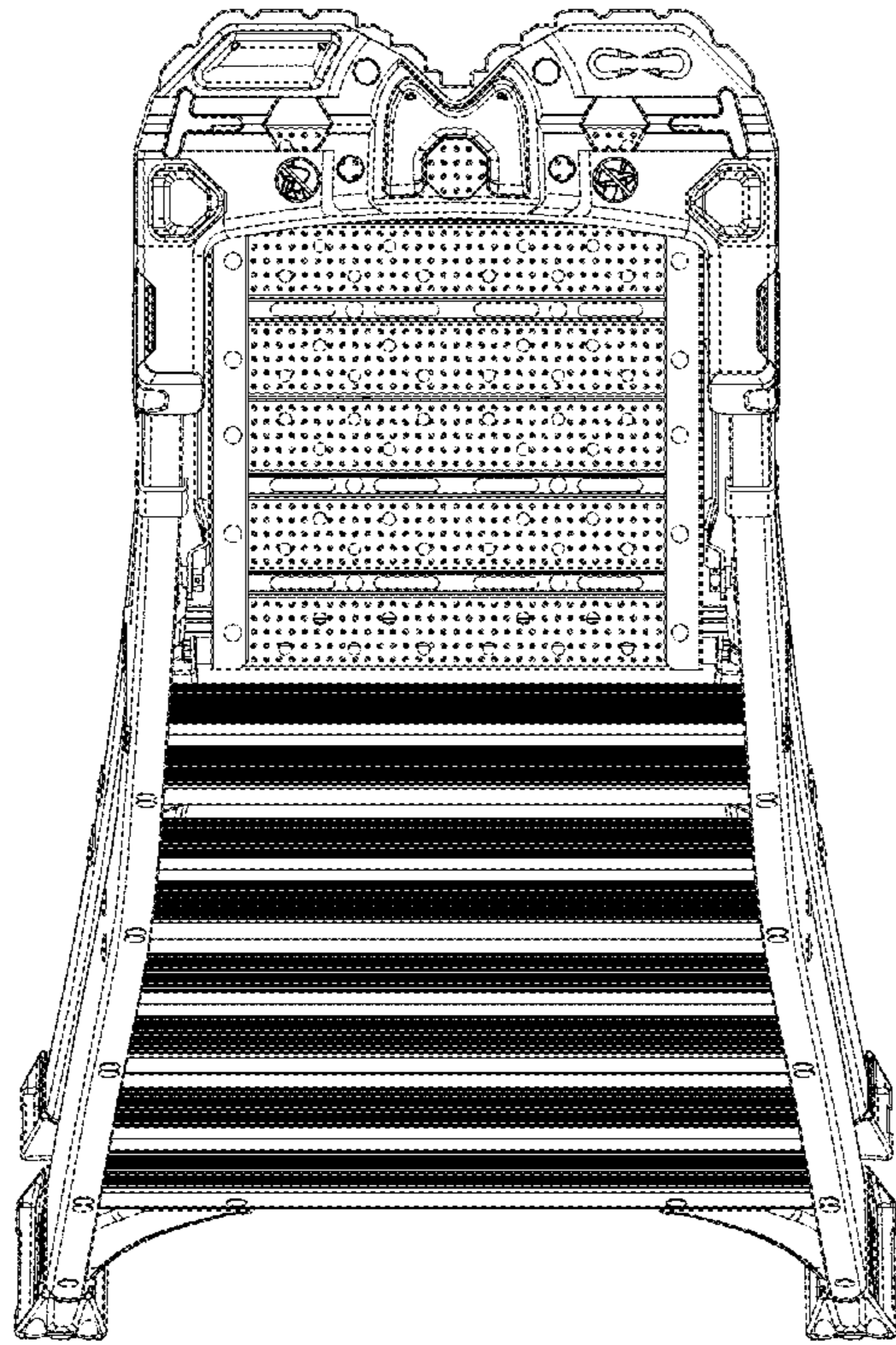


**FIG. 7**

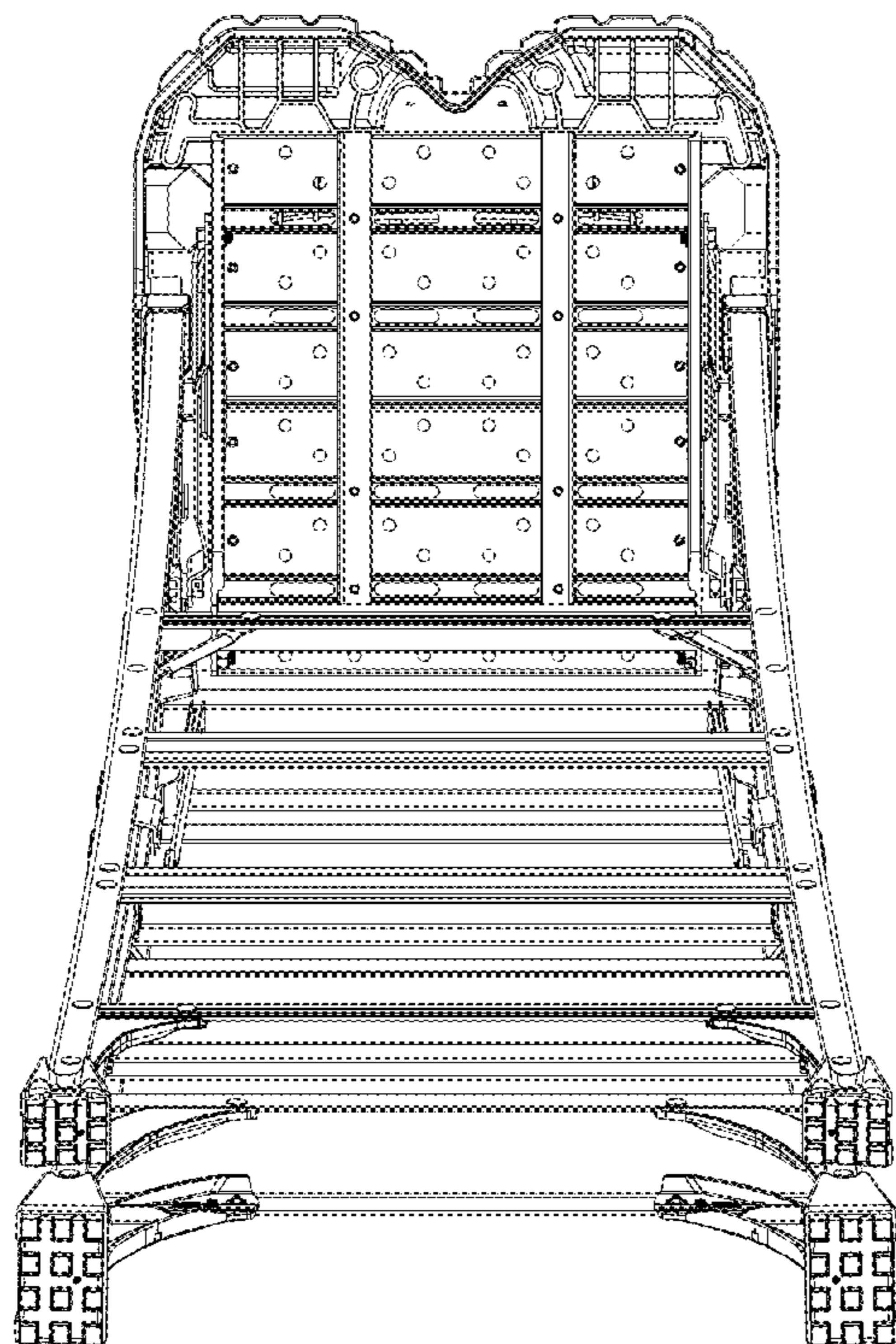




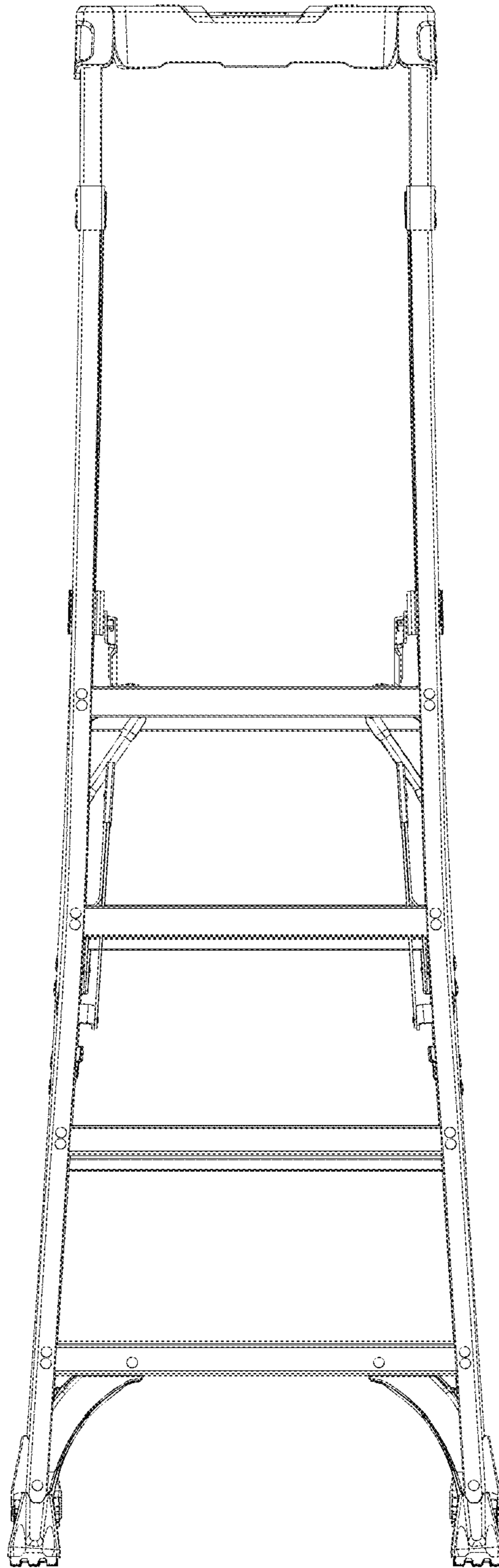
**FIG. 8**



**FIG. 9**

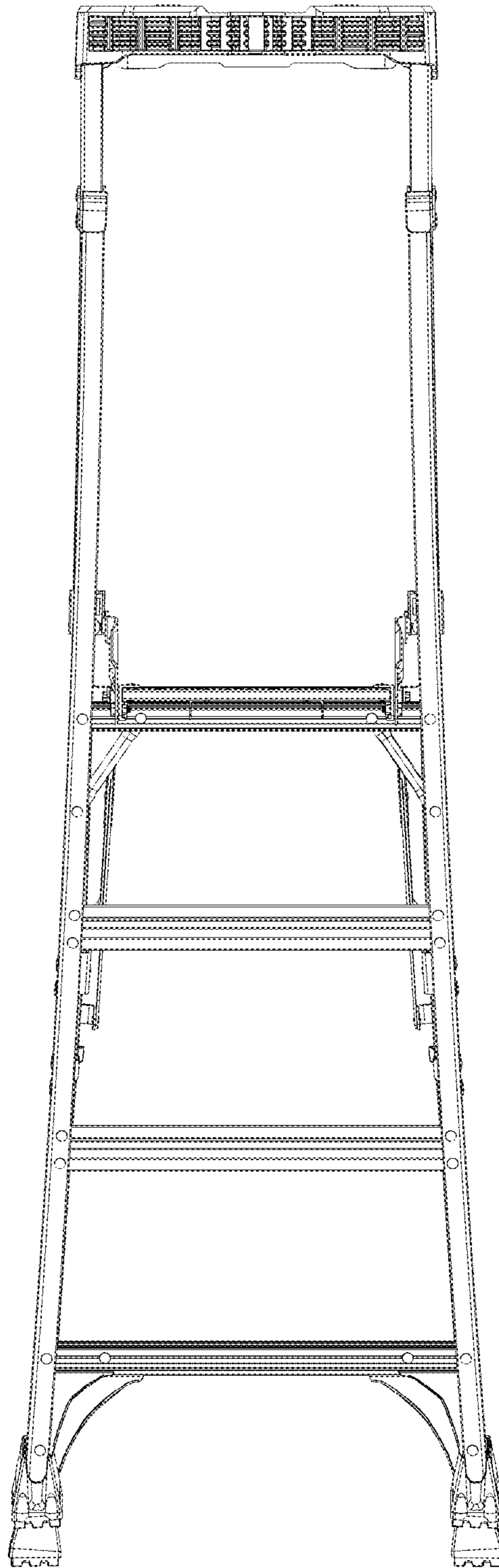


**FIG. 10**



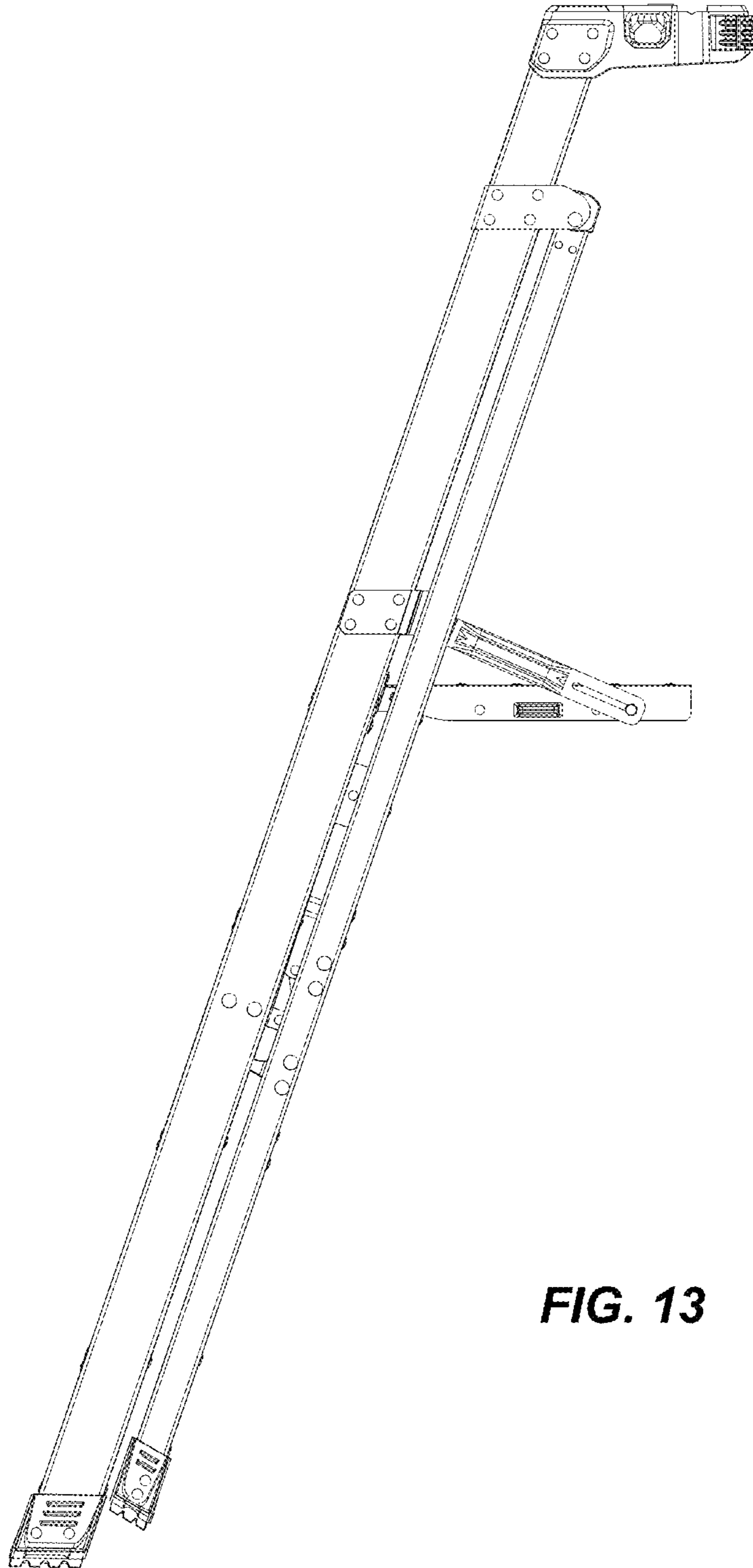
**FIG. 11**



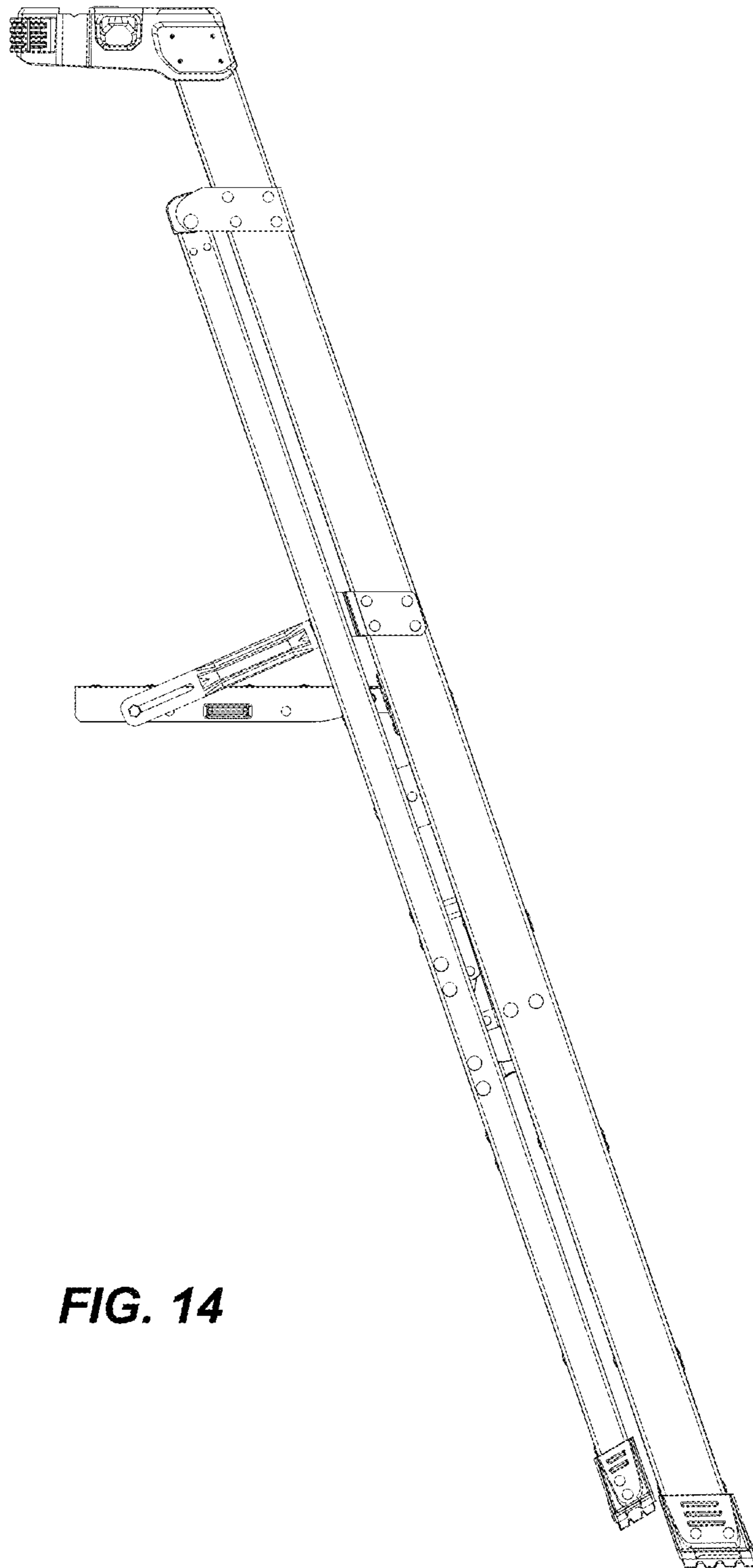


**FIG. 12**

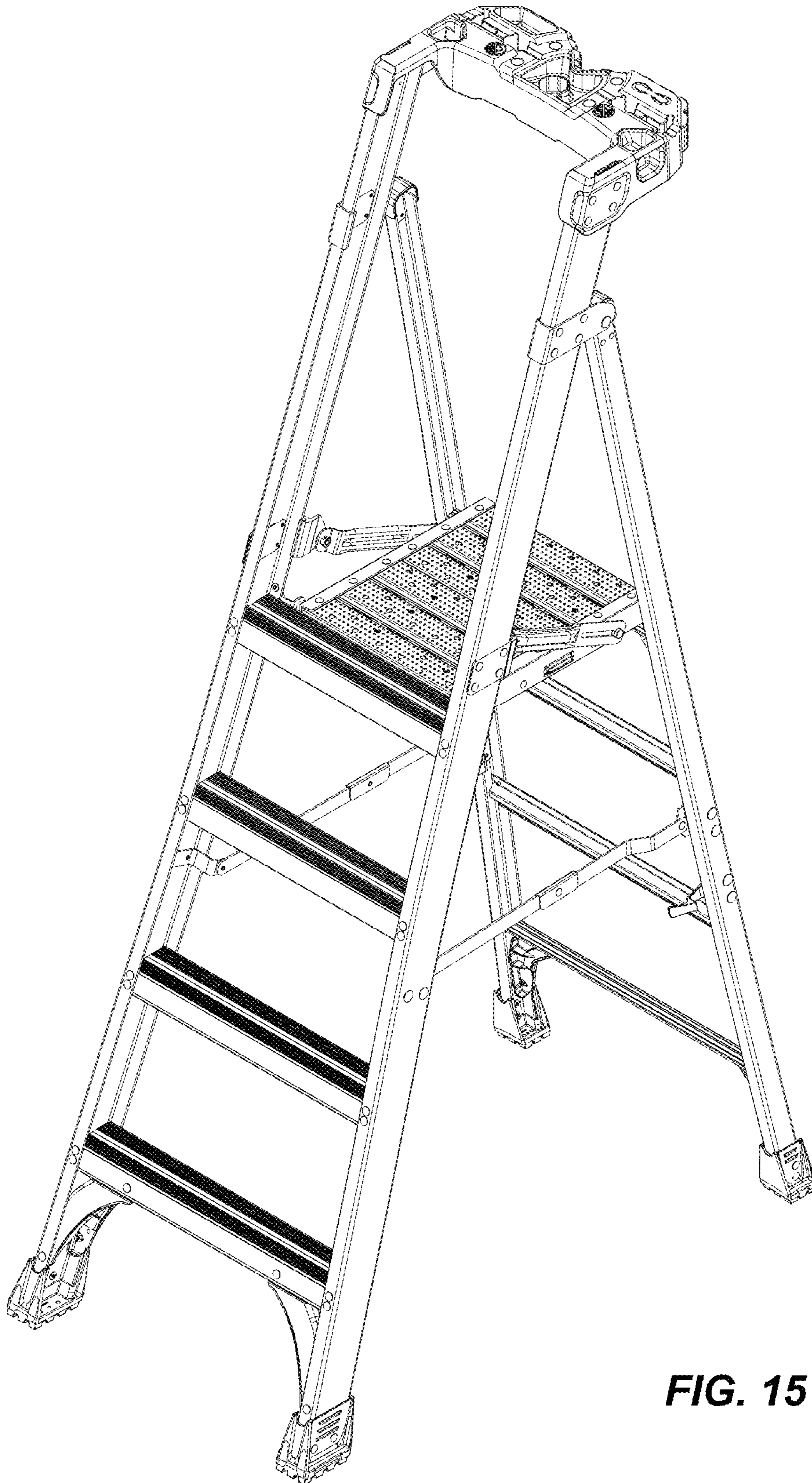




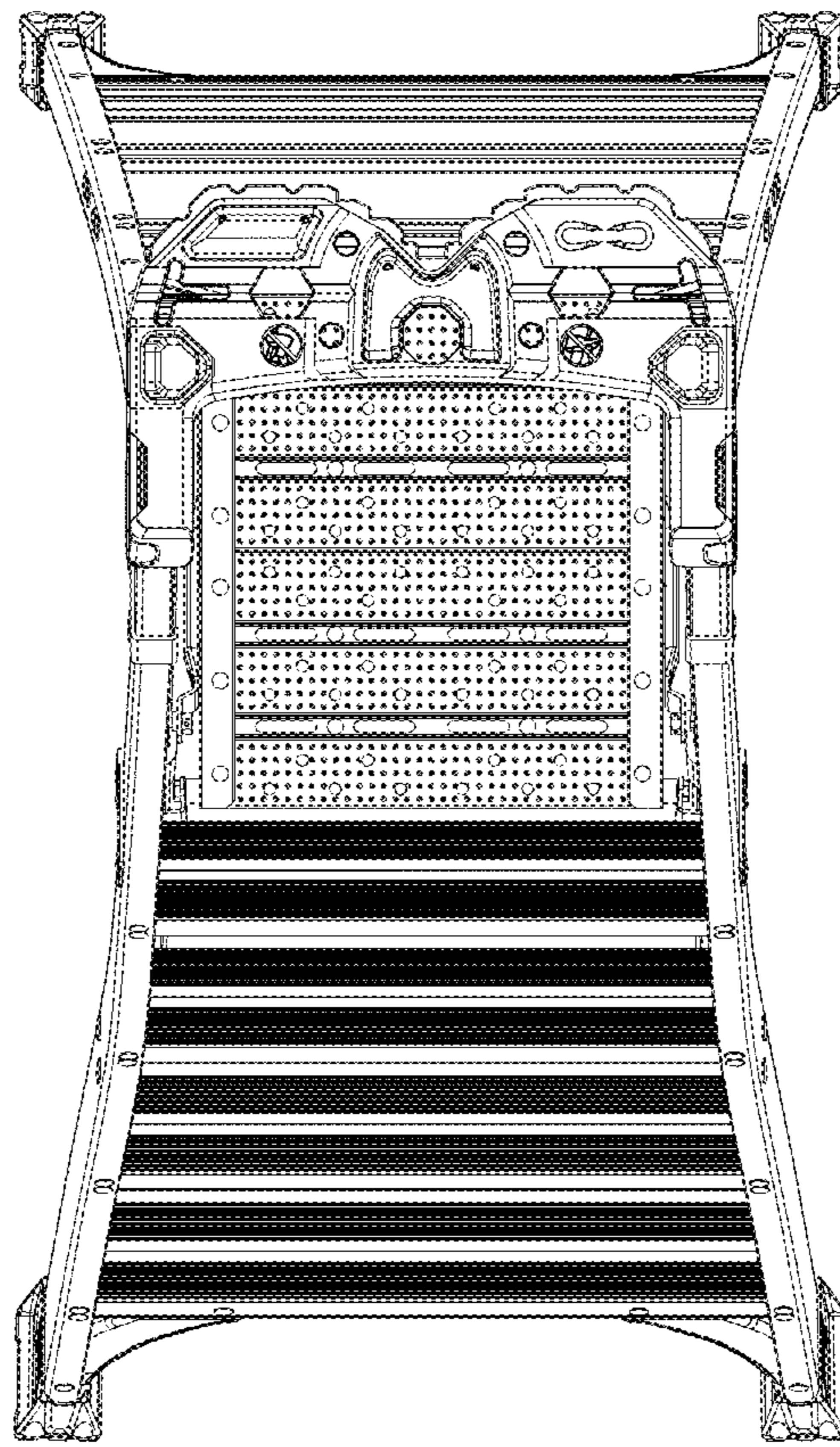
**FIG. 13**



**FIG. 14**

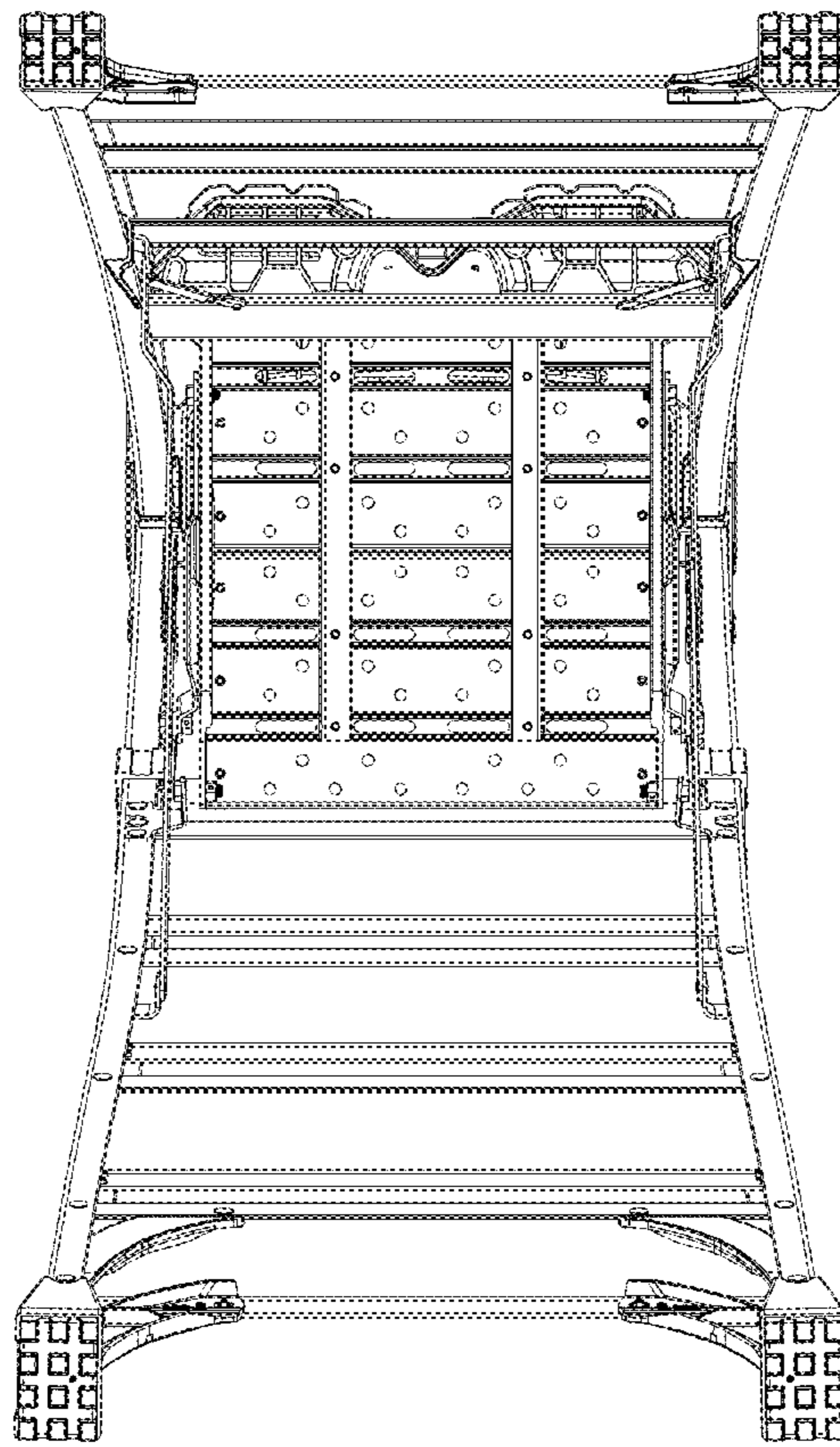


**FIG. 15**

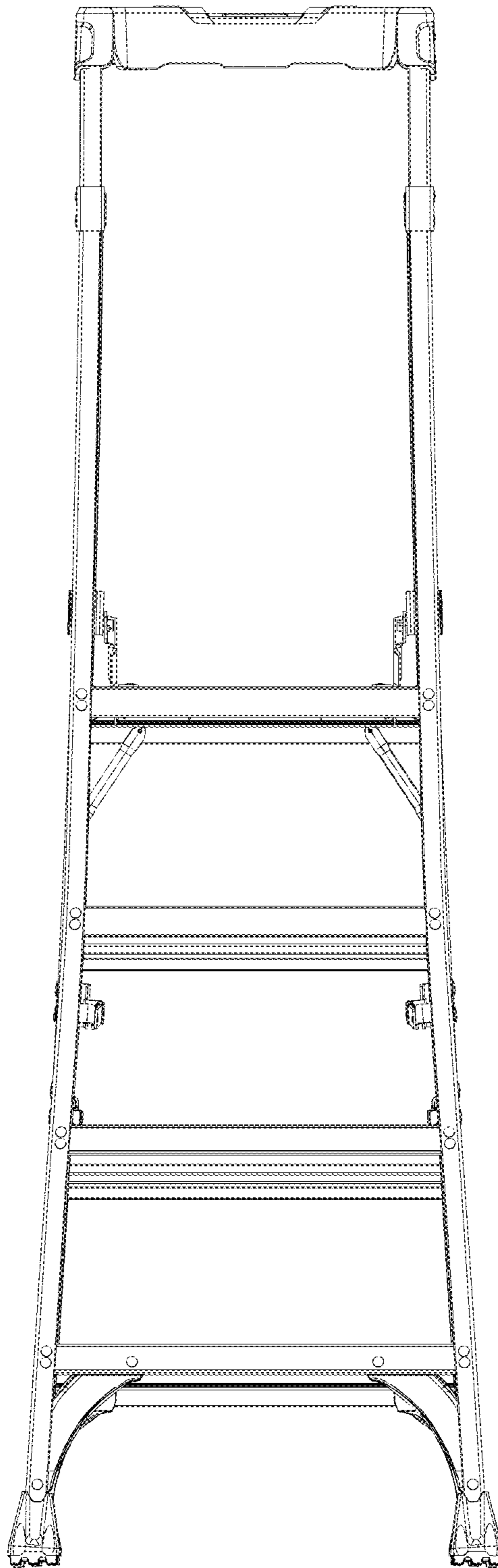


**FIG. 16**

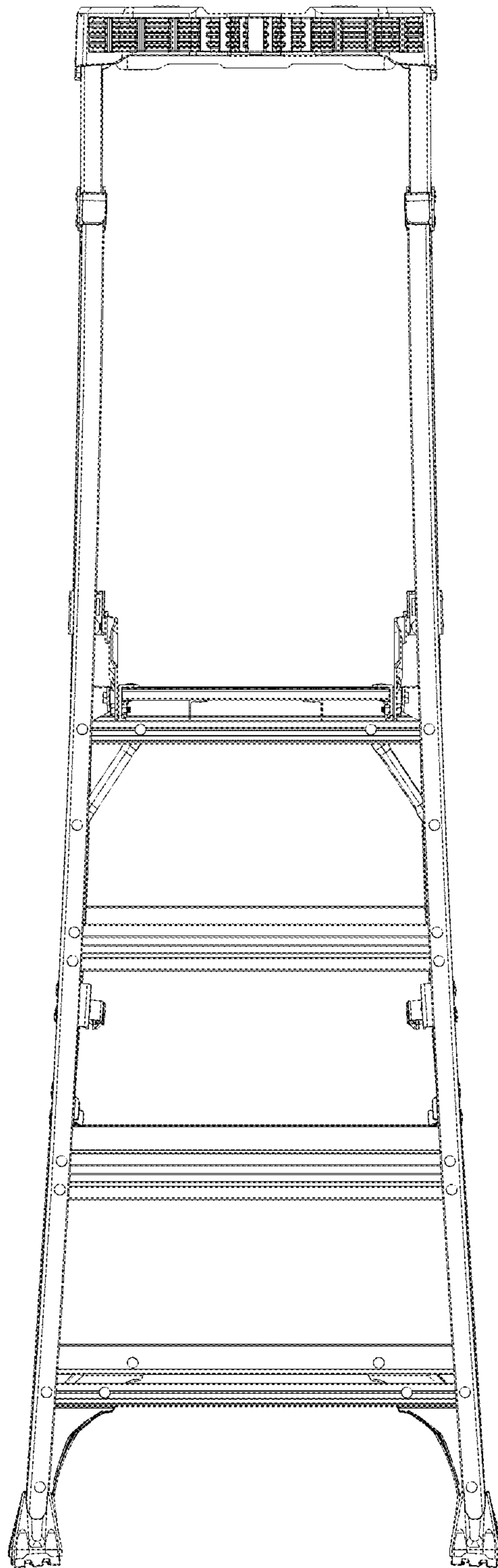




**FIG. 17**

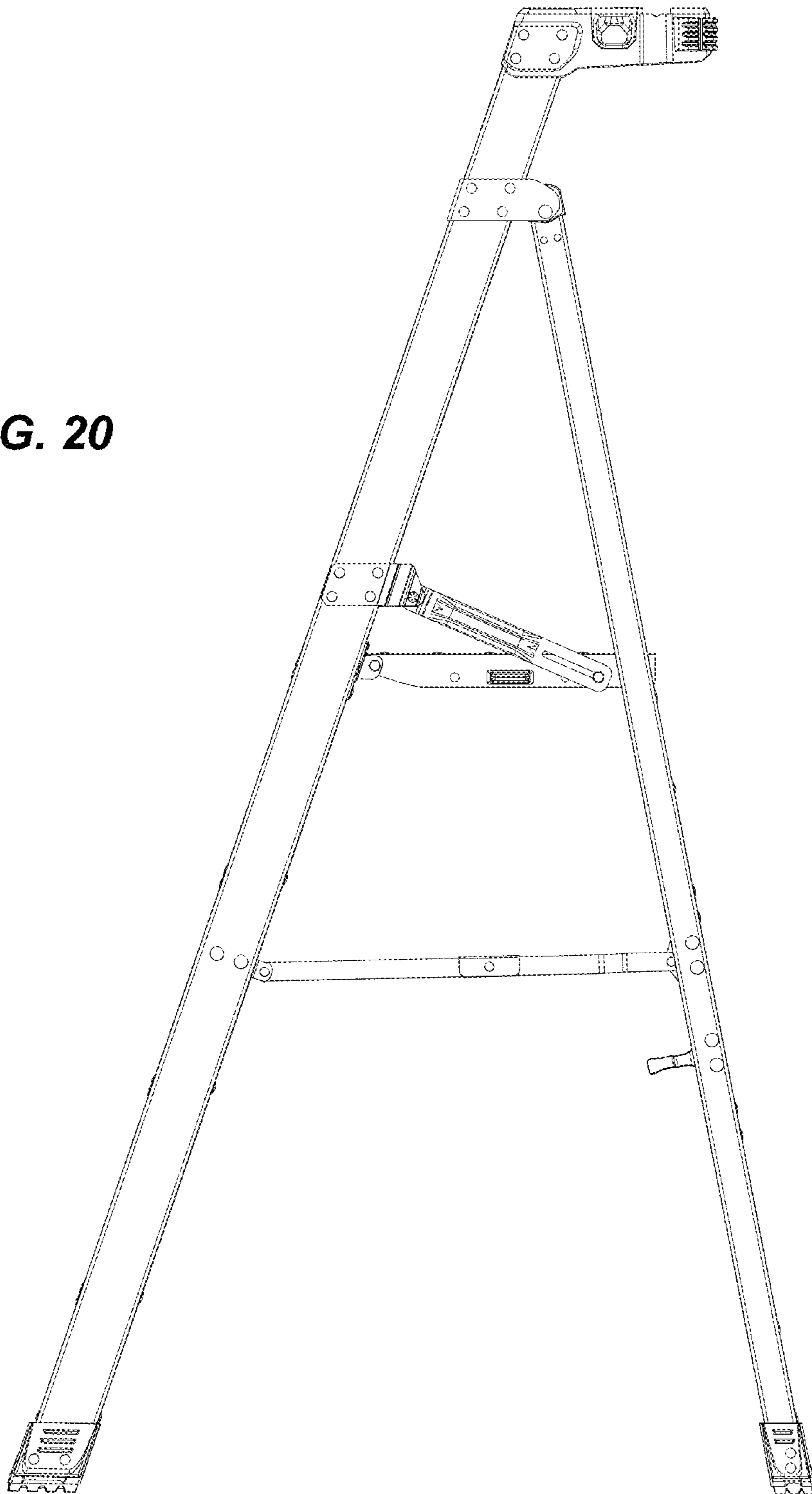


**FIG. 18**

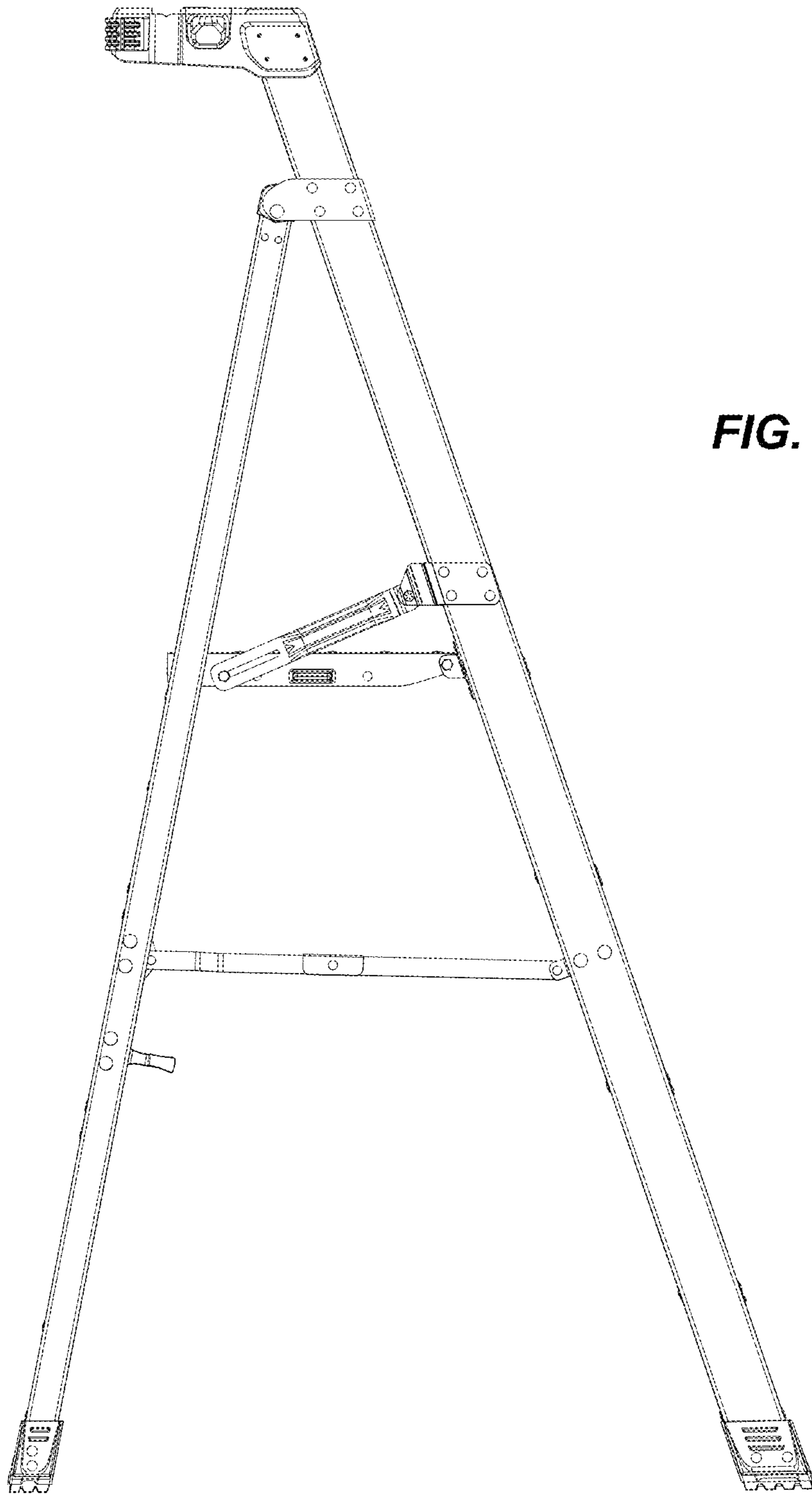


**FIG. 19**

**FIG. 20**







**FIG. 21**