

US00D899627S

(12) **United States Design Patent**
Hay, III

(10) **Patent No.:** **US D899,627 S**

(45) **Date of Patent:** **** Oct. 20, 2020**

- (54) **LINEAL AND CAP**
- (71) Applicant: **Hawkes Design and Consulting, LLC**,
Charleston, SC (US)
- (72) Inventor: **Henry M. Hay, III**, Charleston, SC
(US)
- (73) Assignee: **Hawkes Design and Consulting, LLC**,
Charlston, SC (US)

8,302,354 B2 * 11/2012 Quesada E06B 1/003
52/204.1
8,857,129 B2 * 10/2014 Beranek E06B 3/9682
52/204.5
8,863,452 B1 * 10/2014 Hay, III E06B 5/10
49/463
D872,894 S * 1/2020 Hay, III D25/124
D872,895 S * 1/2020 Hay, III D25/124
D872,896 S * 1/2020 Hay, III D25/124
D884,213 S * 5/2020 Hay, III D25/48.2

- (**) Term: **15 Years**
- (21) Appl. No.: **29/665,640**
- (22) Filed: **Oct. 5, 2018**

Related U.S. Application Data

- (62) Division of application No. 35/001,317, filed on Jan. 20, 2017 (U.S. filing date under 35 U.S.C. 384), and having an international filing date of Jan. 20, 2017, now Pat. No. Des. 884,213.

- (51) **LOC (12) Cl.** **25-02**
- (52) **U.S. Cl.**

USPC **D25/48.2**
CPC **E04B 9/00** (2013.01)

- (58) **Field of Classification Search**
- USPC D25/47.1-48.8; 52/202, 204.62, 204.63,
52/204.67, 204.7; 49/57-62, 463, 502
- CPC E06B 9/00
- See application file for complete search history.

- (56) **References Cited**

U.S. PATENT DOCUMENTS

D394,714 S * 5/1998 Plummer D25/48.7
6,230,455 B1 * 5/2001 Arehart E06B 9/02
160/379
D472,977 S * 4/2003 Griffiths D25/48.1
D490,536 S * 5/2004 Cortesi D25/48.3
D618,822 S * 6/2010 Card D25/48.7

FOREIGN PATENT DOCUMENTS

WO DM095397 4/2017

* cited by examiner

Primary Examiner — Richard E Chilcot
(74) *Attorney, Agent, or Firm* — Nexsen Pruet LLC;
Michael A. Mann

- (57) **CLAIM**

The ornamental design for the lineal and cap, as shown and described.

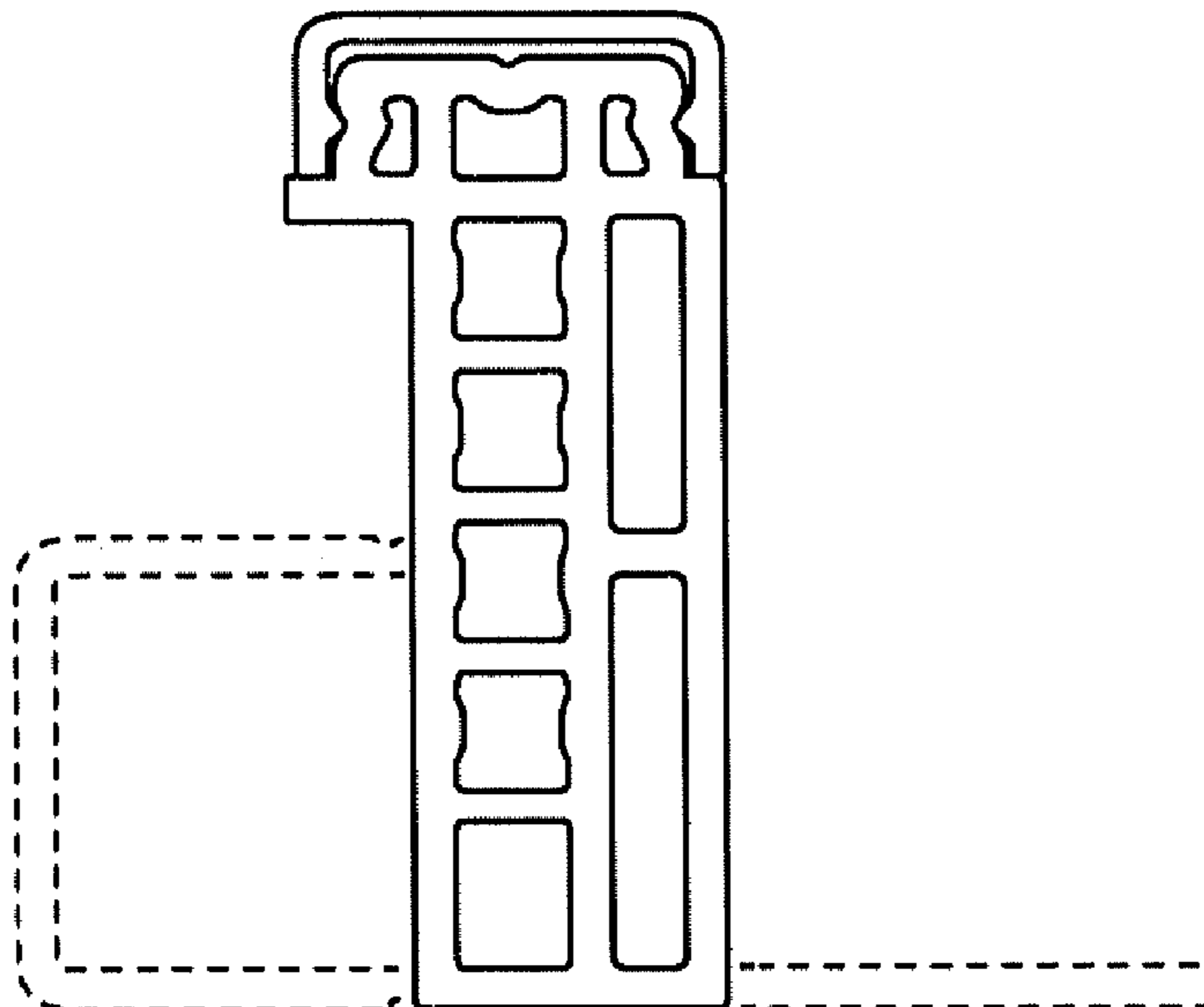
DESCRIPTION

FIG. 1 is an end view of the lineal with a cap for attaching a panel over a window, according to the present design. The frame of the window with lineal extension is shown by broken lines;

FIG. 2 is an upper left side perspective view of the lineal with cap of FIG. 1 and also showing the window frame with lineal extension in broken lines, according to the present design; and,

FIG. 3 is an end view of the lineal of FIG. 1, with cap removed and with window frame and its extension shown in broken lines, and a panel and attachment screw shown in broken lines as if attached, according to the present design. The broken lines in FIGS. 1, 2 and 3 indicate the environment of the design and form no part of the design.

1 Claim, 1 Drawing Sheet



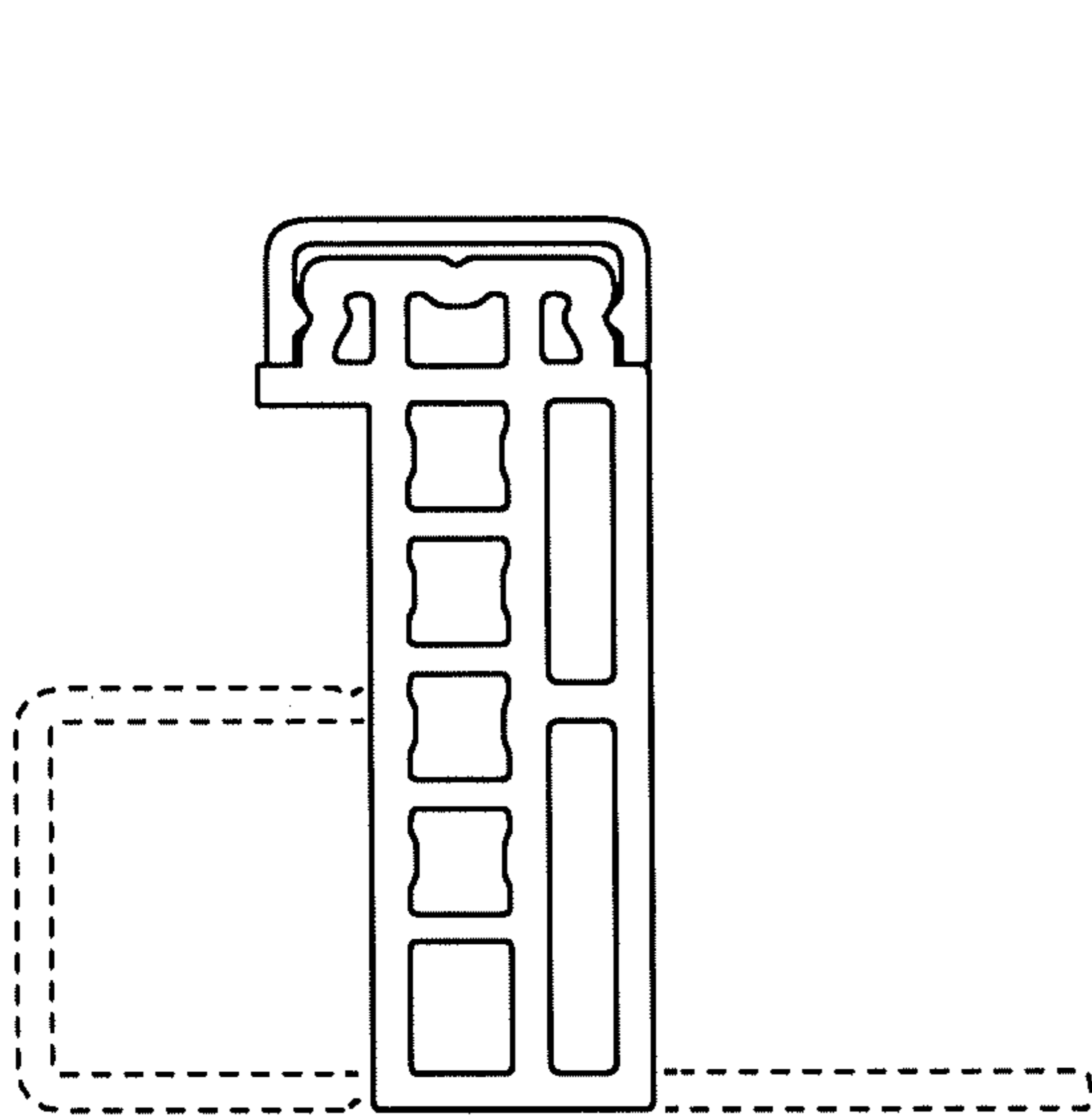


FIG.1

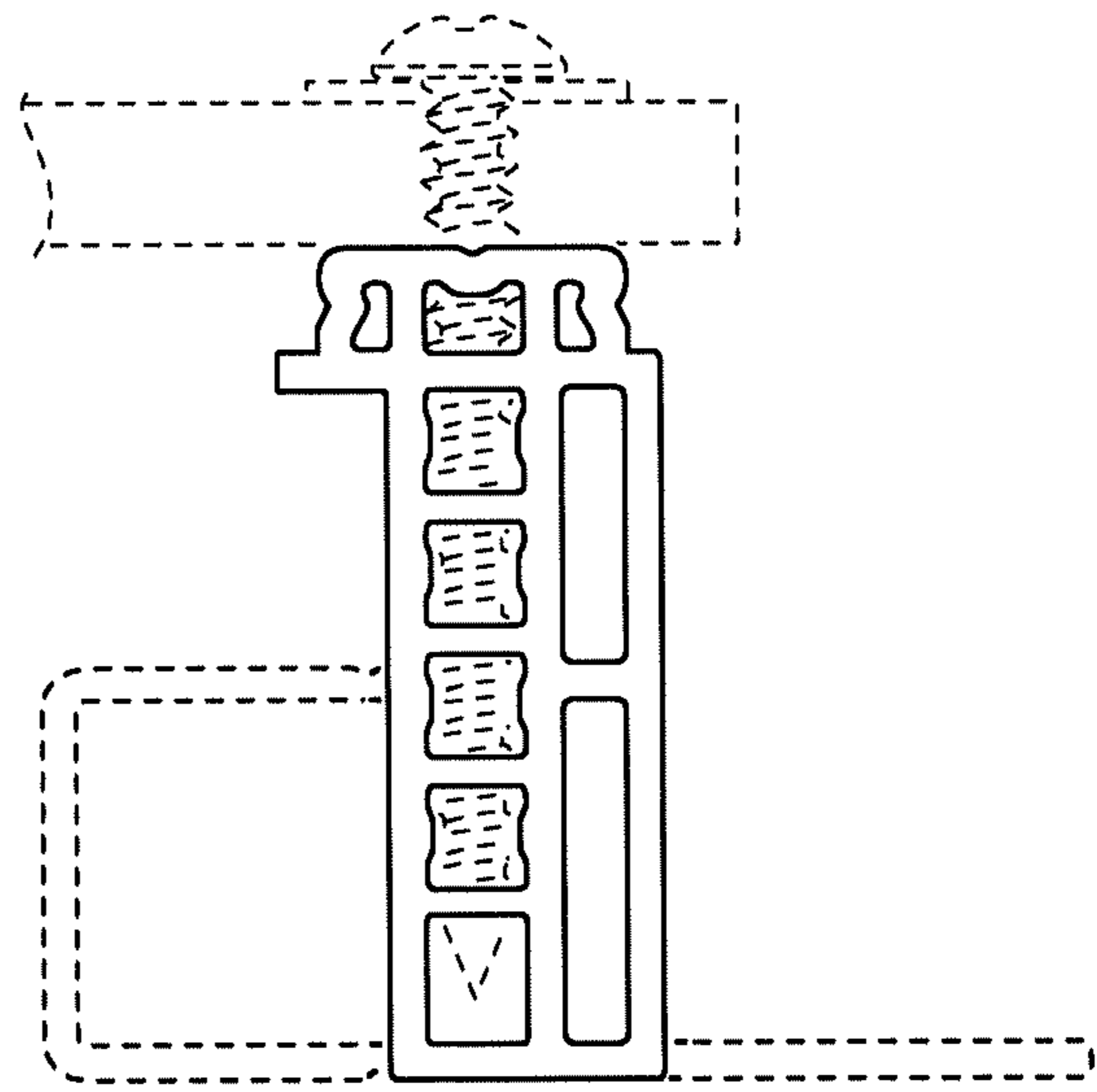


FIG.3

FIG.2

