



US00D899626S

(12) **United States Design Patent** (10) **Patent No.:** **US D899,626 S**
Muc (45) **Date of Patent:** **** Oct. 20, 2020**

(54) **FENCE PANEL**

FOREIGN PATENT DOCUMENTS

(71) Applicant: **Christopher Muc**, Etobicoke (CA)

EM 003147636-0007 * 8/2016
JP D1163079 * 1/2003
JP D1553343 * 7/2016

(72) Inventor: **Christopher Muc**, Etobicoke (CA)

(Continued)

(**) Term: **15 Years**

OTHER PUBLICATIONS

(21) Appl. No.: **29/667,307**

Orsogril Recintha-202-Wire-Panels-spec-sheet https://www.marcospecialtysteel.com/content/uploads/2018/06/Orsogril_Recintha-202-Wire-Panels-spec-sheet.pdf Jun. 2018 (Year: 2018).*

(22) Filed: **Oct. 19, 2018**

Primary Examiner — Leanne Was-Englehart

(51) **LOC (12) Cl.** **25-01**

(74) *Attorney, Agent, or Firm* — Bhole IP Law; Anil Bhole; Marc Lampert

(52) **U.S. Cl.**

(57) **CLAIM**

USPC **D25/38.1**

The ornamental design for a fence panel, as shown and described.

(58) **Field of Classification Search**

DESCRIPTION

USPC D25/38.1, 39, 40, 41.1, 42, 43, 44, 45,
D25/48.5, 48.8

CPC E04H 17/18; E01F 13/022

See application file for complete search history.

FIG. 1 is a front view of a fence panel;
FIG. 2 is a top view of the fence panel;
FIG. 3 is an enlarged fragmentary view taken as indicated in FIG. 2;
FIG. 4 is a cross-section view of the fence panel taken along line 4-4 in FIG. 1;
FIG. 5 is an enlarged fragmentary view taken as indicated in FIG. 4;
FIG. 6 is a front view of a second variant of the fence panel;
FIG. 7 is a top view of the second variant of the fence panel;
FIG. 8 is an enlarged fragmentary view taken as indicated in FIG. 7;
FIG. 9 is a cross-section view of the second variant of the fence panel taken along line 9-9 in FIG. 6; and,
FIG. 10 is an enlarged fragmentary view taken as indicated in FIG. 9.

(56) **References Cited**

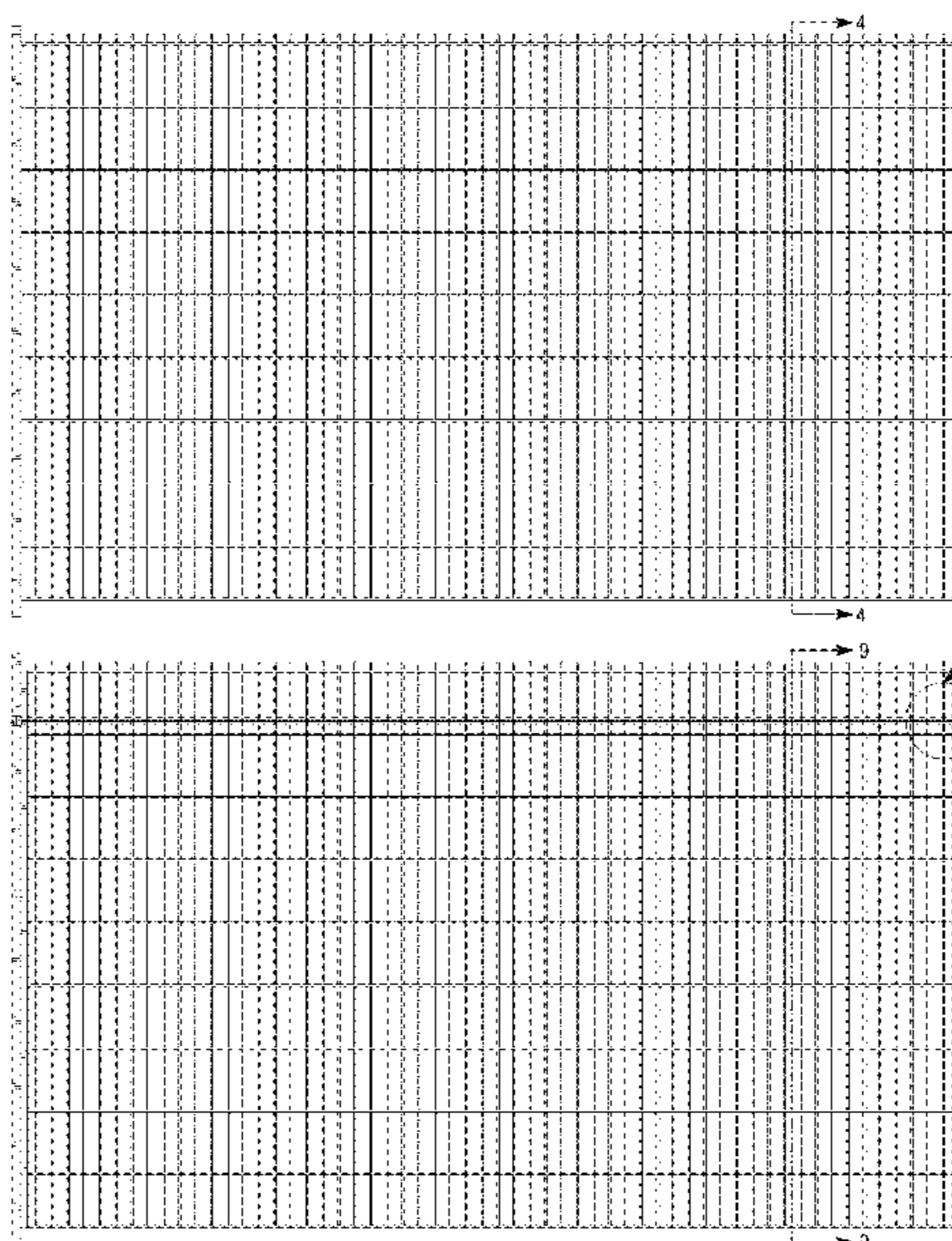
U.S. PATENT DOCUMENTS

D410,289 S * 5/1999 Howard D25/38.1
D613,877 S * 4/2010 Preston D25/45
D621,956 S * 8/2010 Preston D25/45
D635,275 S * 3/2011 Nissenbaum D25/38.1
D675,341 S * 1/2013 Cochrane D25/38.1
D737,469 S * 8/2015 Bucarizza D25/119
D737,470 S * 8/2015 Bucarizza D25/119
D737,471 S * 8/2015 Bucarizza D25/119
D737,472 S * 8/2015 Bucarizza D25/119
D737,473 S * 8/2015 Bucarizza D25/121
D737,995 S * 9/2015 Bucarizza D25/121
D737,996 S * 9/2015 Bucarizza D25/121
D738,535 S * 9/2015 Bucarizza D25/121
D757,296 S * 5/2016 Rodenburg D25/38.1

The broken line circles depict the limits of the enlarged views and form no part of the claimed design. The broken straight lines in FIG. 1 and FIG. 6 are reference lines for cross-section views and form no part of the claimed design.

(Continued)

1 Claim, 6 Drawing Sheets



(56)

References Cited

U.S. PATENT DOCUMENTS

D764,071 S * 8/2016 Studebaker, Jr. D25/38.1
2019/0186157 A1 * 6/2019 Melic E04G 21/3233

FOREIGN PATENT DOCUMENTS

KR 300812767.0000 * 9/2015
KR 300888658.0000 * 1/2017

* cited by examiner

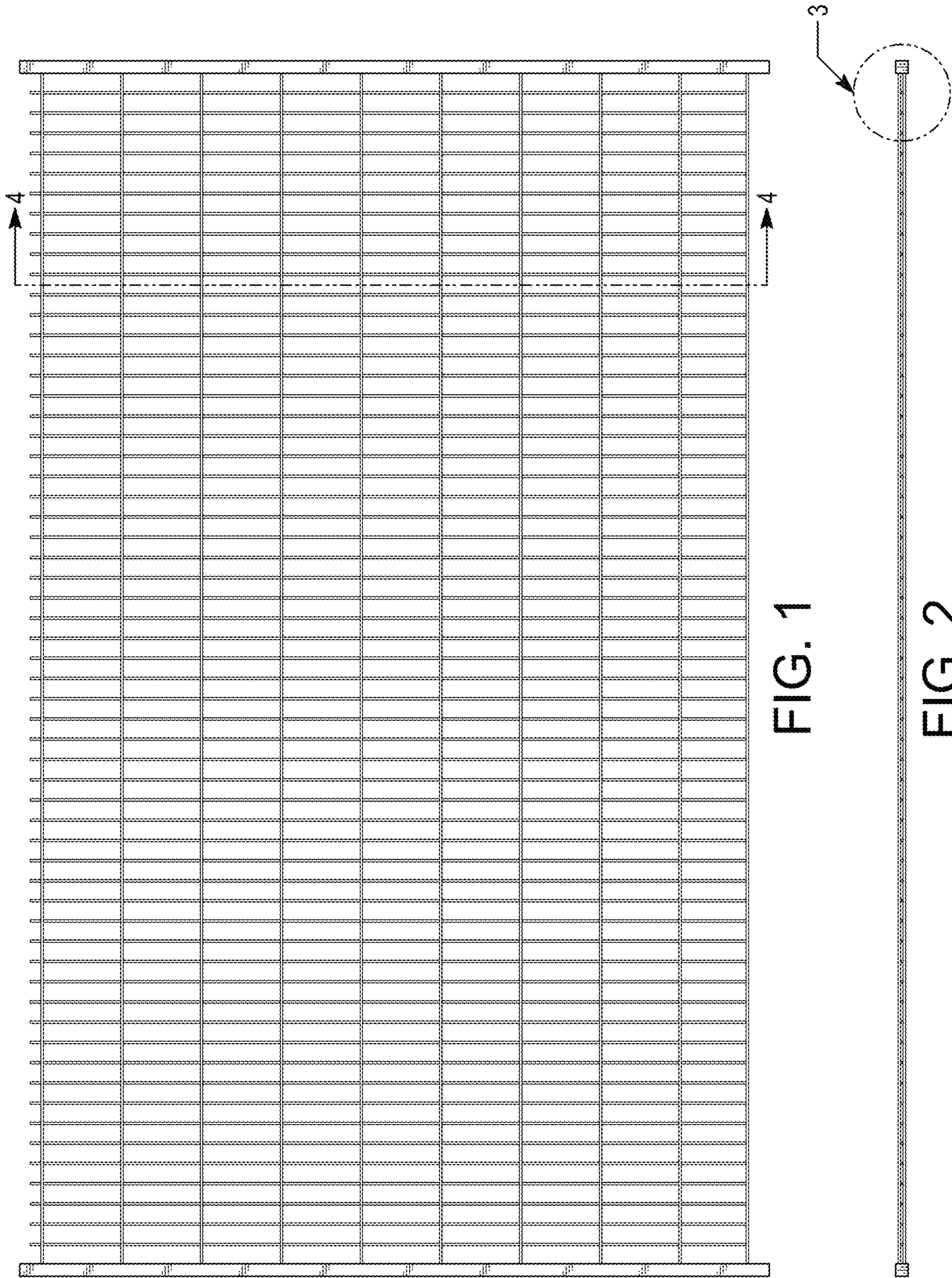


FIG. 1

FIG. 2

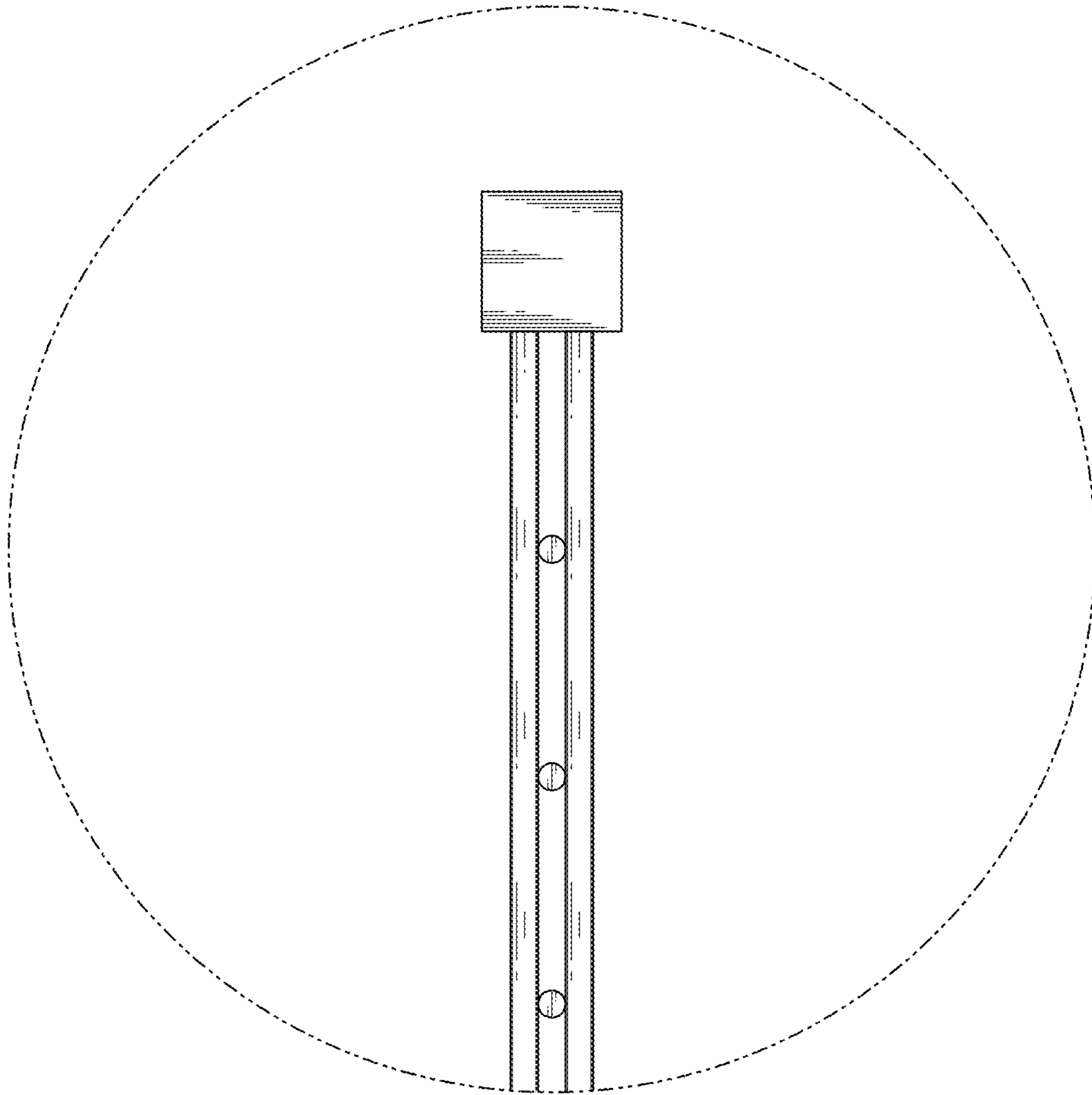


FIG. 3

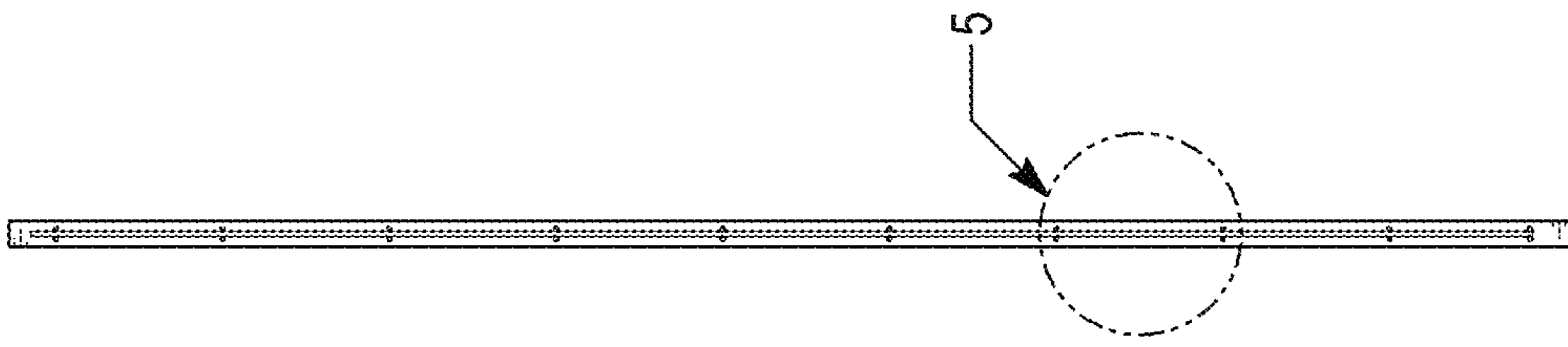


FIG. 4

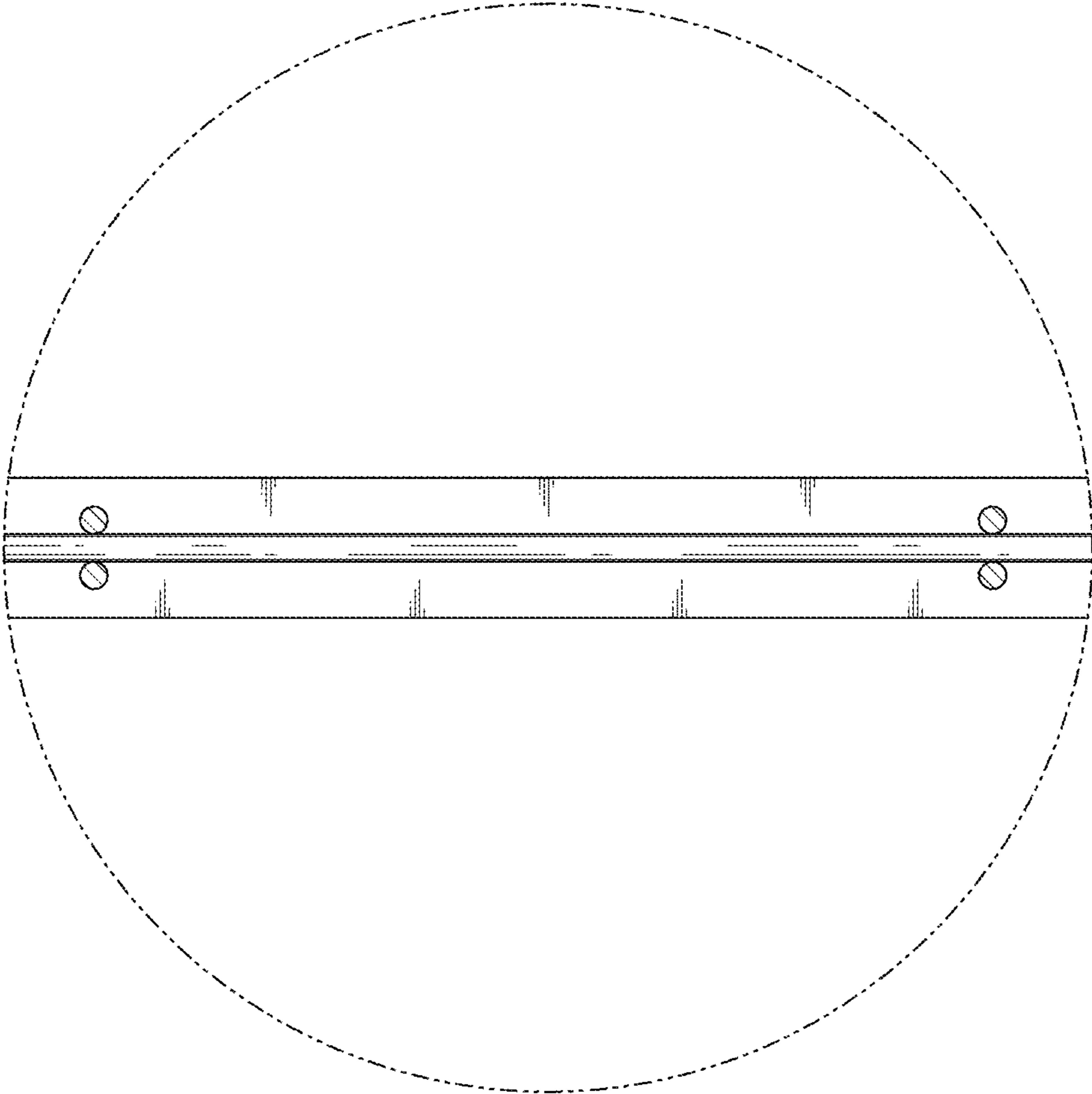


FIG. 5

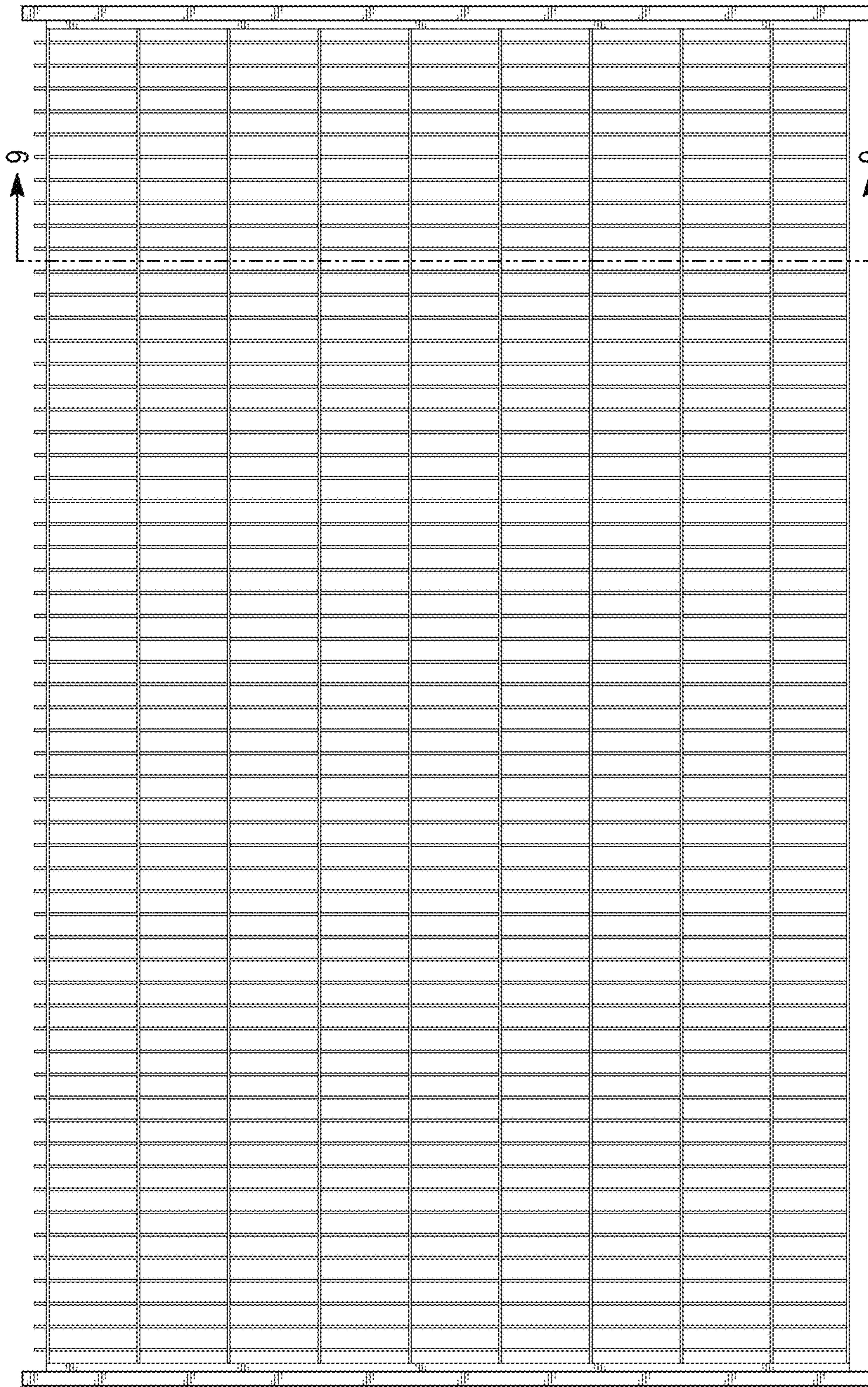


FIG. 6

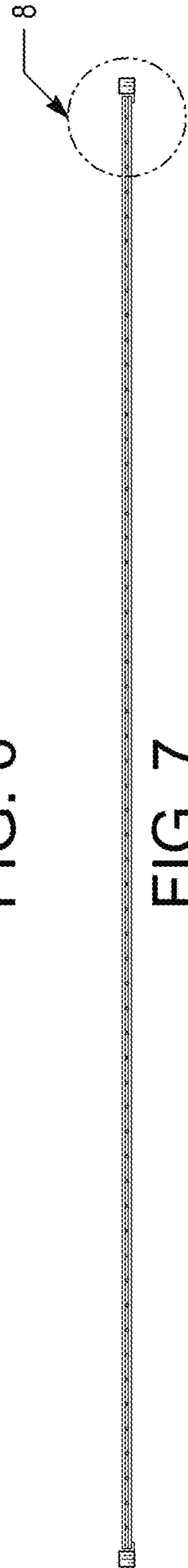


FIG. 7

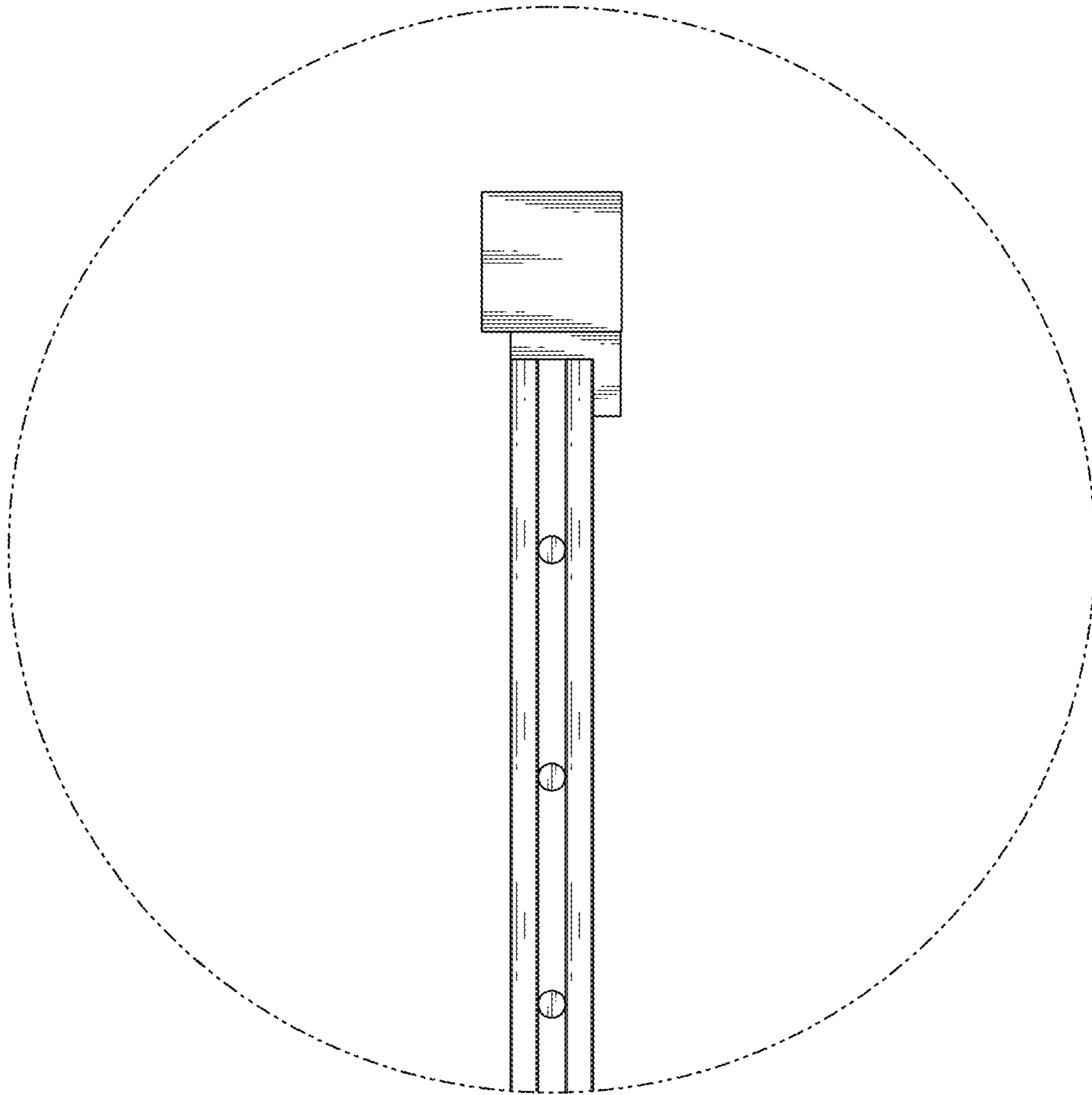


FIG. 8

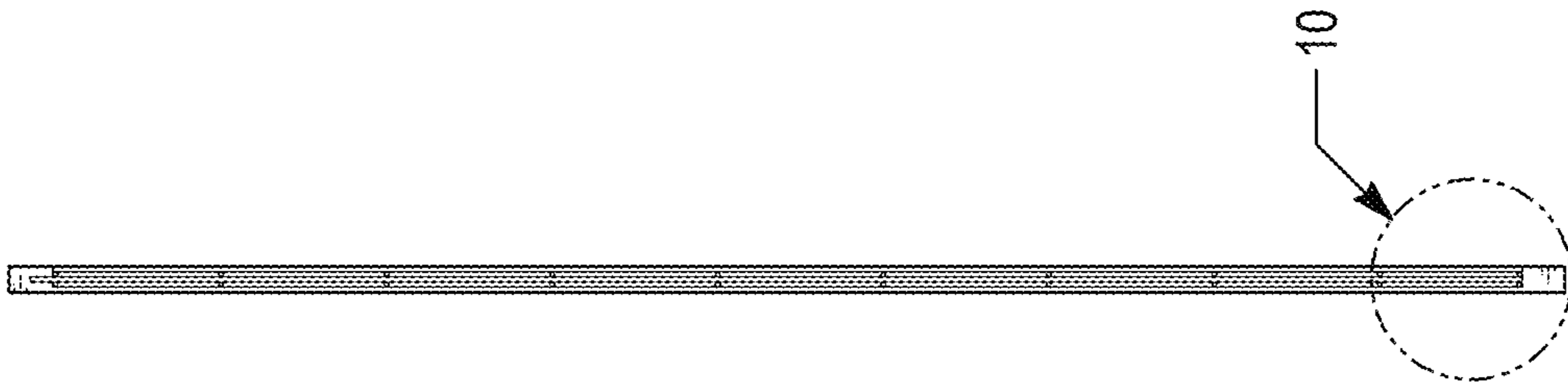


FIG. 9

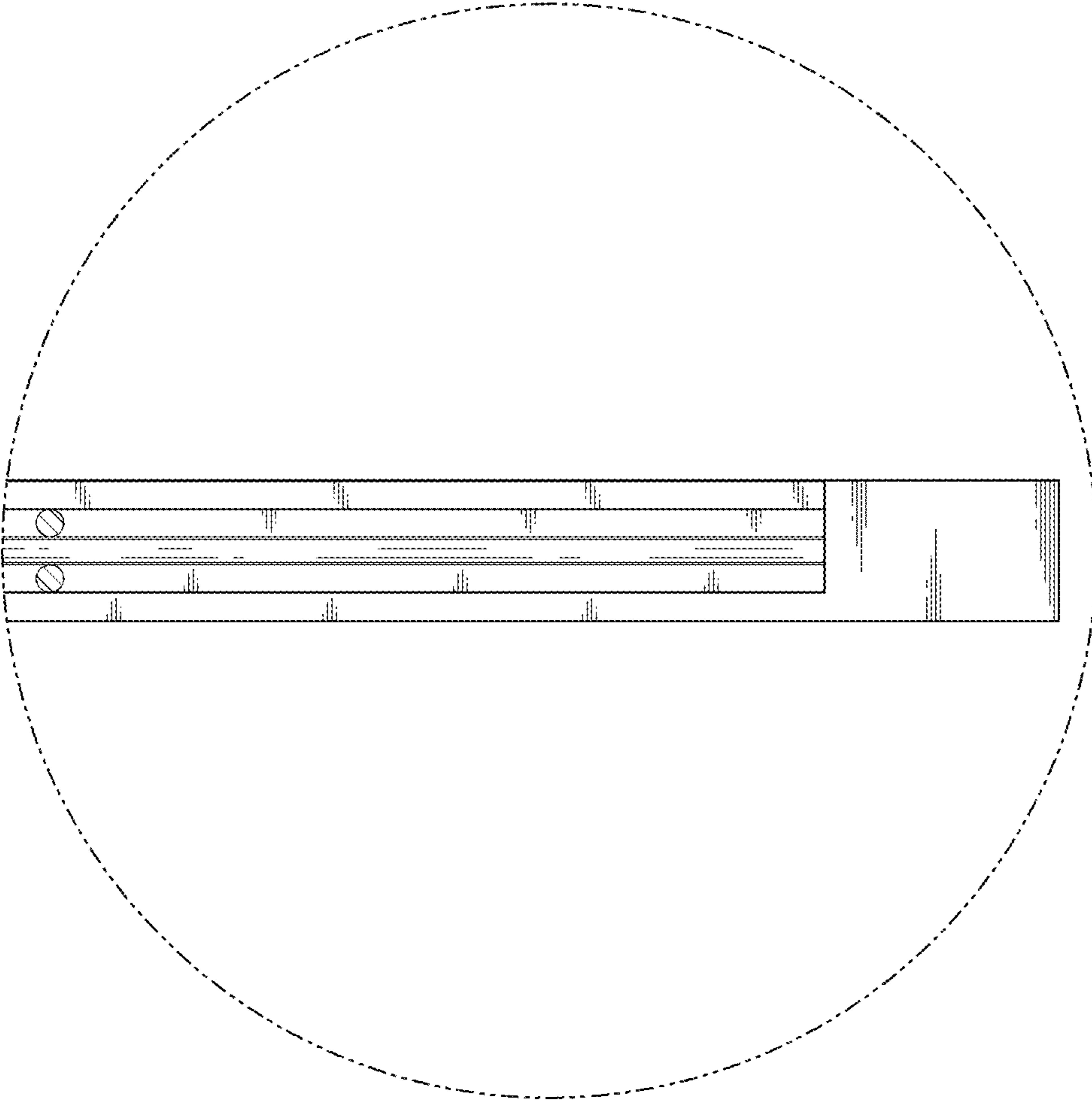


FIG. 10