

US00D899625S

(12) **United States Design Patent** (10) **Patent No.:** **US D899,625 S**
Jones et al. (45) **Date of Patent:** **** Oct. 20, 2020**

(54) **CARRIER**
(71) Applicant: **Meso Scale Technologies, LLC.**,
Rockville, MD (US)
(72) Inventors: **Eric Jones**, Frederick, MD (US);
Jennifer Parker, Frederick, MD (US);
Manish Kochar, Rockville, MD (US);
Peter Bosco, Rockville, MD (US)
(73) Assignee: **MESO SCALE TECHNOLOGIES,**
LLC., Rockville, MD (US)

D238,657 S 2/1976 Erickson
4,506,796 A 3/1985 Thompson
D281,565 S 12/1985 Stourton et al.
5,655,673 A 8/1997 Weterrings et al.
5,752,608 A 5/1998 Dingeldein
D413,390 S 8/1999 Southern et al.
D446,093 S 8/2001 Moon
D473,757 S 4/2003 Schwartz
D548,073 S 8/2007 Peaslee
D560,981 S 2/2008 Tsui
D622,678 S 8/2010 Hsieh
D643,500 S 8/2011 Sanders
D685,971 S 7/2013 Thibault

(Continued)

(**) Term: **15 Years**

(21) Appl. No.: **29/687,197**

(22) Filed: **Apr. 11, 2019**

Related U.S. Application Data

(62) Division of application No. 29/571,996, filed on Jul. 22, 2016, now Pat. No. Des. 850,290.

(51) **LOC (12) Cl.** **24-02**

(52) **U.S. Cl.**
USPC **D24/225; D9/751**

(58) **Field of Classification Search**
USPC D24/224-230; D9/737, 751, 752;
D7/550.1, 553.1, 553.4, 553.5, 553.6,
D7/701, 708.1, 621; D3/224, 315;
422/562, 561, 563, 463, 560, 564;
211/74, 70.1; 206/443
CPC B01L 9/06; B01L 9/065; B01L 2200/025;
B01L 3/50853; B01L 9/50; G01N 35/025;
G01N 35/1002; G01N 2035/0443; A47B
81/007; A47G 23/0616; B65B 51/043;
B65D 33/1625; B65D 85/20

See application file for complete search history.

(56) **References Cited**

U.S. PATENT DOCUMENTS

D194,199 S 12/1962 Poupitch
3,164,250 A 1/1965 Paxton

OTHER PUBLICATIONS

U.S. Non-Final Office Action dated Aug. 28, 2018 in U.S. Appl. No. 29/571,996.

Primary Examiner — W. A. Teddy Falloway

(74) *Attorney, Agent, or Firm* — Scully, Scott, Murphy & Presser, P.C.

(57) **CLAIM**

The ornamental design for a carrier, as shown and described.

DESCRIPTION

FIG. 1 is a perspective view of the carrier showing our new and ornamental design;

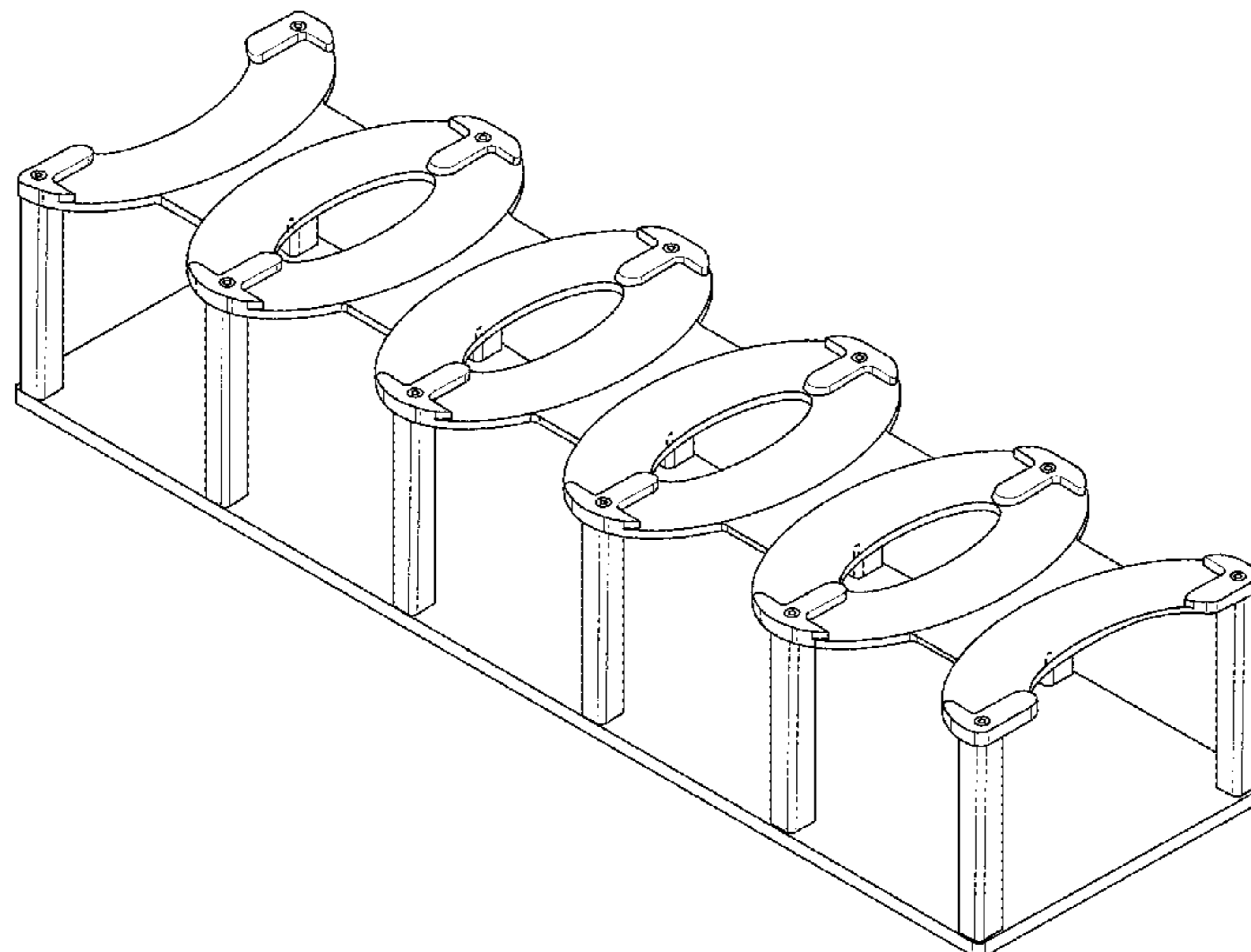
FIG. 2 is a top view thereof;

FIG. 3 is a side view thereof; and,

FIG. 4 is a front view thereof.

The side view depicted in FIG. 3 is a mirror image of the opposite side view, which is not depicted herein. The front view depicted in FIG. 4 is a mirror image of the back view, which is not depicted herein. The broken lines are included for the purpose of illustrating portions of the carrier that form no part of the claimed design.

1 Claim, 4 Drawing Sheets



(56)

References Cited

U.S. PATENT DOCUMENTS

| | | | | |
|--------------|-----|---------|-----------------|---------|
| D708,983 | S | 7/2014 | Wolfenden | |
| D721,598 | S | 1/2015 | Borg | |
| D722,891 | S | 2/2015 | Borg et al. | |
| D762,985 | S | 8/2016 | Schiller et al. | |
| D799,716 | S | 10/2017 | Jones et al. | |
| D812,440 | S | 3/2018 | Selvaggio | |
| D816,341 | S | 5/2018 | Schiller et al. | |
| D850,290 | S * | 6/2019 | Jones | D9/751 |
| D854,706 | S * | 7/2019 | Jones | D24/225 |
| D869,680 | S * | 12/2019 | Jones | D24/225 |
| 2006/0073072 | A1 | 4/2006 | Rudloff | |
| 2009/0188144 | A1 | 7/2009 | Ludlow et al. | |
| 2010/0116704 | A1 | 5/2010 | Longley et al. | |
| 2015/0132841 | A1 | 5/2015 | Sampson et al. | |

* cited by examiner

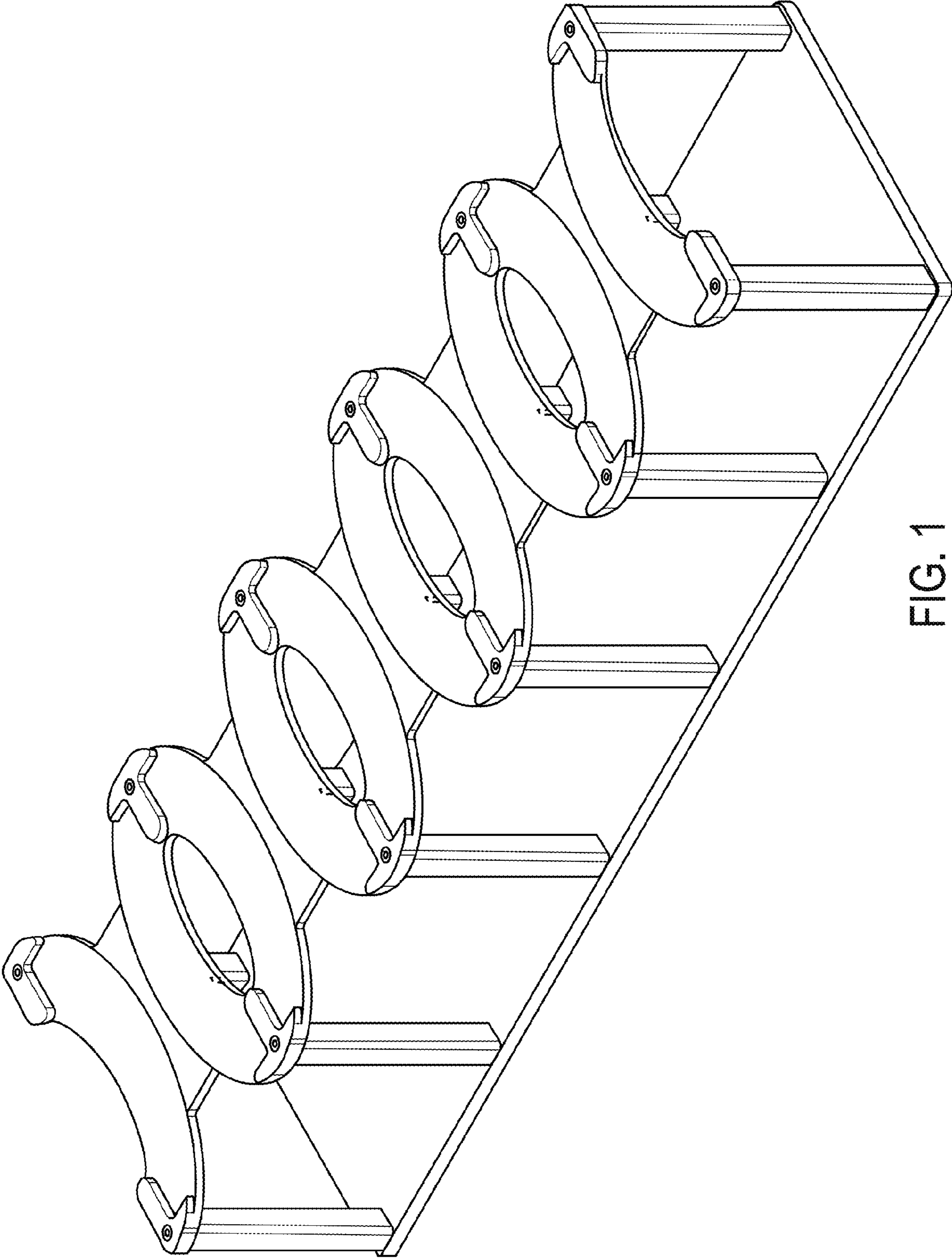


FIG. 1

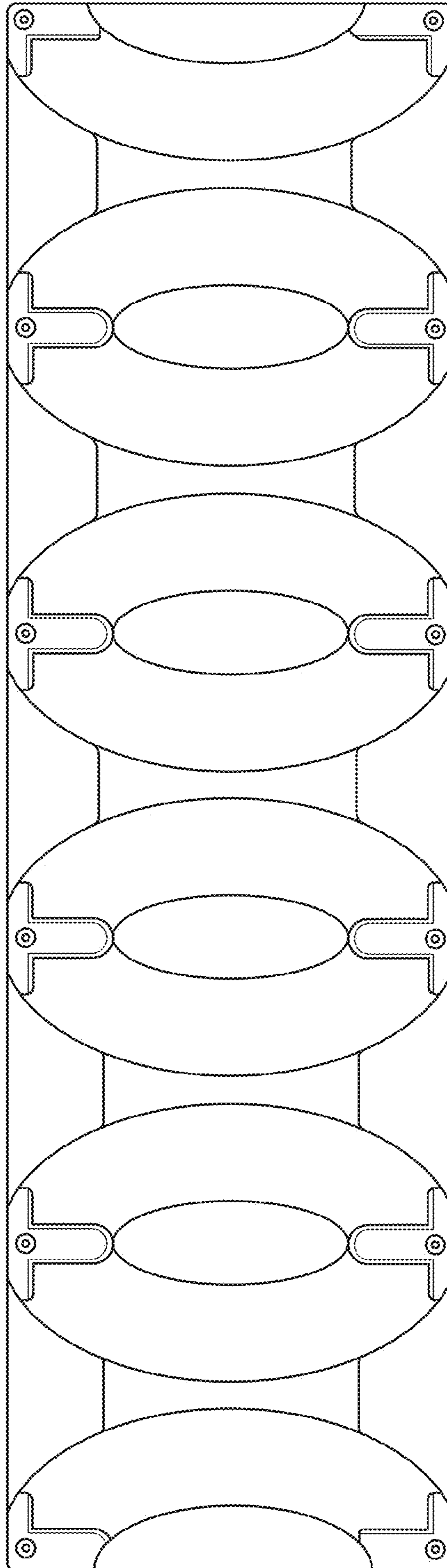


FIG. 2

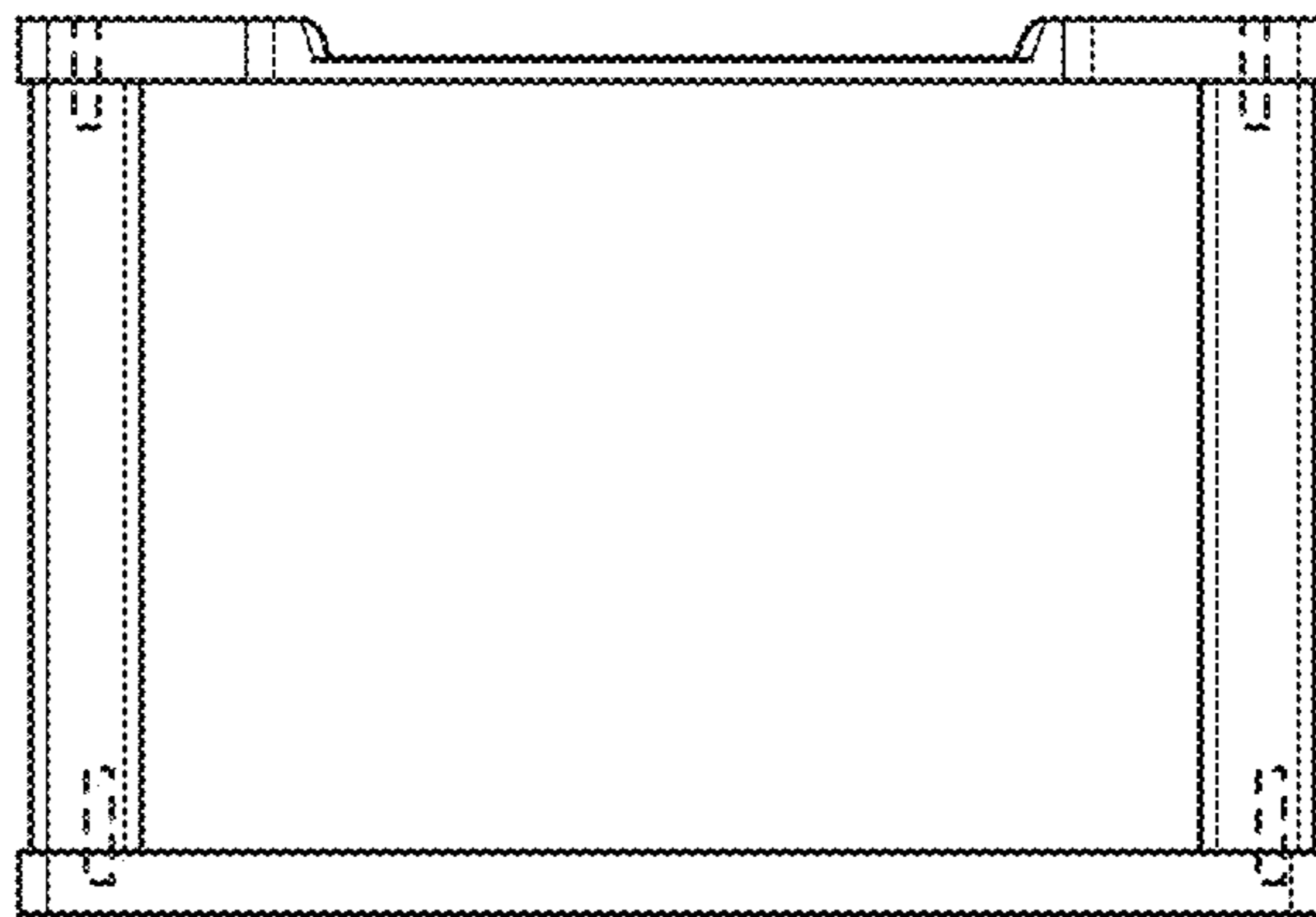


FIG. 3

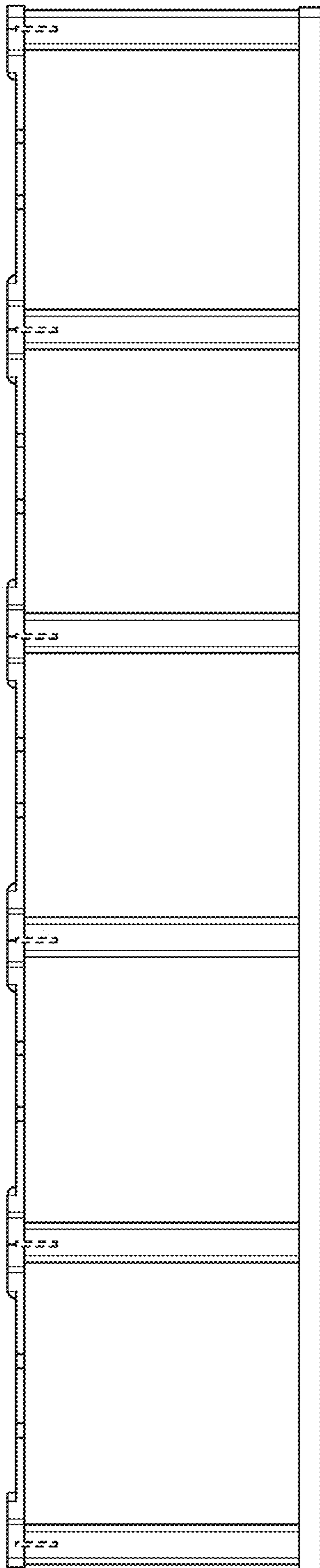


FIG. 4