



US00D899622S

(12) **United States Design Patent**  
**Maw et al.**

(10) **Patent No.:** **US D899,622 S**  
(45) **Date of Patent:** **\*\* Oct. 20, 2020**

- (54) **SANITIZING MACHINE**
- (71) Applicant: **SoClean, Inc.**, Peterborough, NH (US)
- (72) Inventors: **Kurt Michael Maw**, Salem, MA (US);  
**Ashley James Nye Legg**, Newton, MA (US)
- (73) Assignee: **SOCLEAN, INC.**, Peterborough, NH (US)

D816,995 S \* 5/2018 Fleming ..... D3/294  
 D825,778 S 8/2018 Brenner et al.  
 D848,635 S 5/2019 Davis  
 (Continued)

- (\*\*) Term: **15 Years**
- (21) Appl. No.: **29/704,520**

**OTHER PUBLICATIONS**

Notice of Allowance dated Mar. 6, 2020, issued in U.S. Appl. No. 29/684,168, 8 pages.  
 (Continued)

- (22) Filed: **Sep. 5, 2019**
- (51) **LOC (12) Cl.** ..... **24-01**
- (52) **U.S. Cl.**  
USPC ..... **D24/217**
- (58) **Field of Classification Search**  
USPC ..... D24/216, 217, 218, 219, 232; D32/1, 25  
CPC ..... A61L 2/26; A61L 2/24; A61L 2/17; A61L 2/18; A61L 2/025; A61L 2202/122; A61L 2202/10; A61L 2202/11; A61L 2202/14; A61L 2202/23; A61L 2202/24; A61L 2202/182  
See application file for complete search history.

*Primary Examiner* — Anhdao Doan  
 (74) *Attorney, Agent, or Firm* — Grossman, Tucker, Perreault & Pfeleger, PLLC

(57) **CLAIM**

The ornamental design for a sanitizing machine, as shown and described.

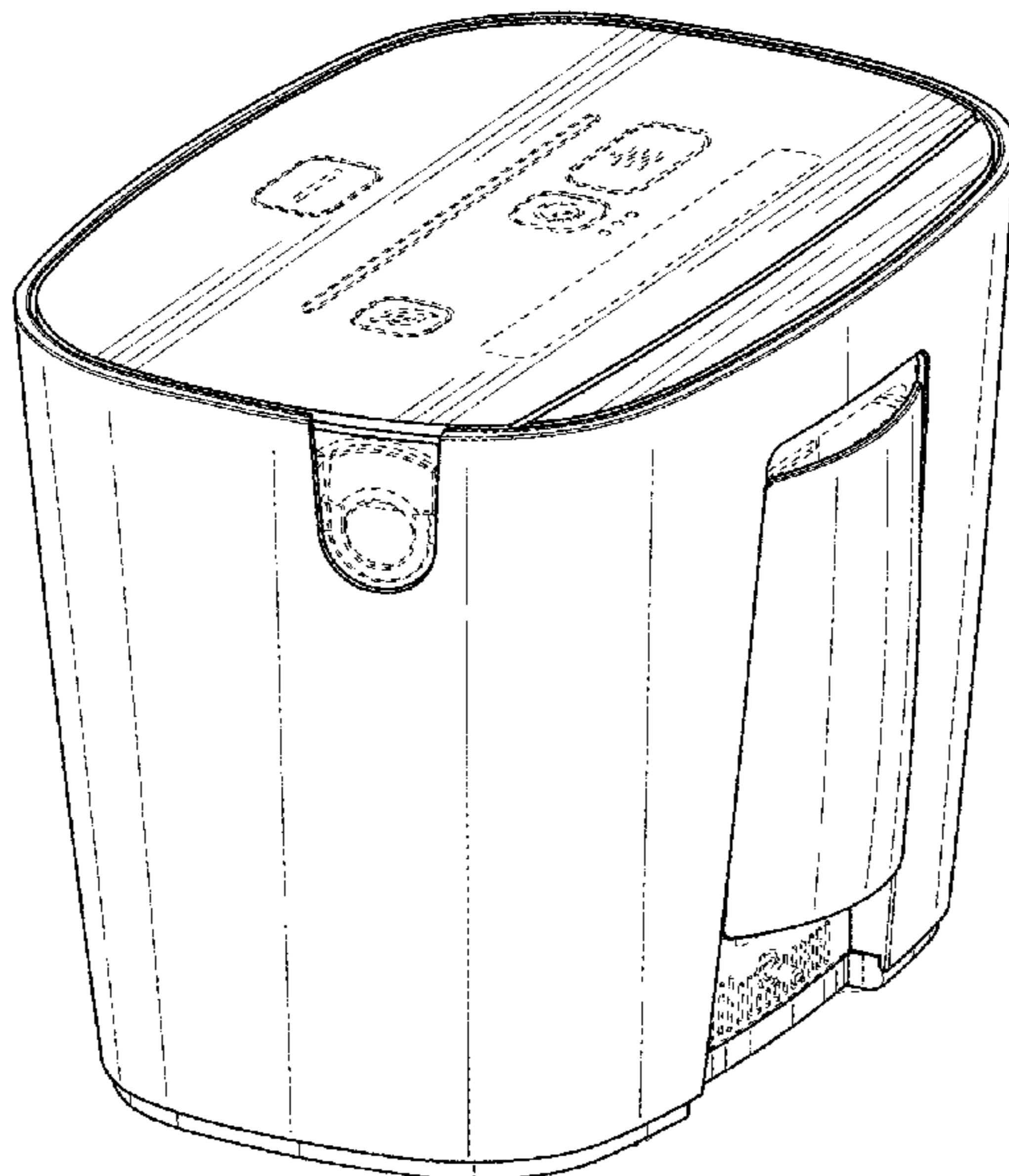
**DESCRIPTION**

FIG. 1 is a front view of a sanitizing machine, showing the new design;  
 FIG. 2 is a left view thereof;  
 FIG. 3 is a right view thereof;  
 FIG. 4 is a back view thereof;  
 FIG. 5 is a top view thereof;  
 FIG. 6 is a bottom view thereof;  
 FIG. 7 is a front top left perspective view thereof;  
 FIG. 8 is a front right top perspective view thereof;  
 FIG. 9 is a front bottom right perspective view thereof;  
 FIG. 10 is a right top perspective view thereof;  
 FIG. 11 is a bottom right perspective view thereof;  
 FIG. 12 is a back top perspective view thereof;  
 FIG. 13 is back top right perspective view thereof;  
 FIG. 14 is a back top left perspective view thereof;  
 FIG. 15 is a back bottom left perspective view thereof; and  
 FIG. 16 is a back bottom perspective view thereof; and,  
 FIG. 17 is a back bottom right perspective view thereof.  
 The broken lines in the figures show portions of the sanitizing machine that form no part of the claimed design.

(56) **References Cited**  
**U.S. PATENT DOCUMENTS**

- 6,558,640 B1 \* 5/2003 Nottingham ..... A61L 2/06  
219/400
- D524,998 S 7/2006 Nickerson et al.
- D560,814 S \* 1/2008 Briussel ..... D24/217
- D679,825 S 4/2013 Elkerbout et al.
- D719,673 S 12/2014 Leyva et al.
- D719,674 S \* 12/2014 Leyva ..... D24/217
- D729,941 S \* 5/2015 Hu ..... D24/217
- 9,610,373 B2 4/2017 Leyva
- 9,669,124 B2 6/2017 Leyva et al.

**1 Claim, 10 Drawing Sheets**



(56)

**References Cited**

U.S. PATENT DOCUMENTS

10,427,961 B2 10/2019 Leyva et al.  
2009/0308416 A1\* 12/2009 Utz ..... B08B 3/12  
134/115 R  
2014/0271370 A1\* 9/2014 Sirotin ..... A61L 2/07  
422/105  
2016/0166720 A1\* 6/2016 Wiesman ..... A61L 2/07  
422/300

OTHER PUBLICATIONS

Notice of Allowance dated Mar. 9, 2020, issued in U.S. Appl. No. 29/684,173, 8 pages.  
U.S. Appl. No. 29/684,168, filed Mar. 19, 2019.  
U.S. Appl. No. 29/684,173, filed Mar. 19, 2019.  
U.S. Appl. No. 29/684,180, filed Mar. 19, 2019.  
U.S. Appl. No. 29/684,188, filed Mar. 19, 2019.  
U.S. Appl. No. 29/684,196, filed Mar. 19, 2019.  
U.S. Appl. No. 29/684,206, filed Mar. 19, 2019.  
U.S. Appl. No. 29/684,213, filed Mar. 19, 2019.  
U.S. Appl. No. 29/684,229, filed Mar. 19, 2019.

\* cited by examiner

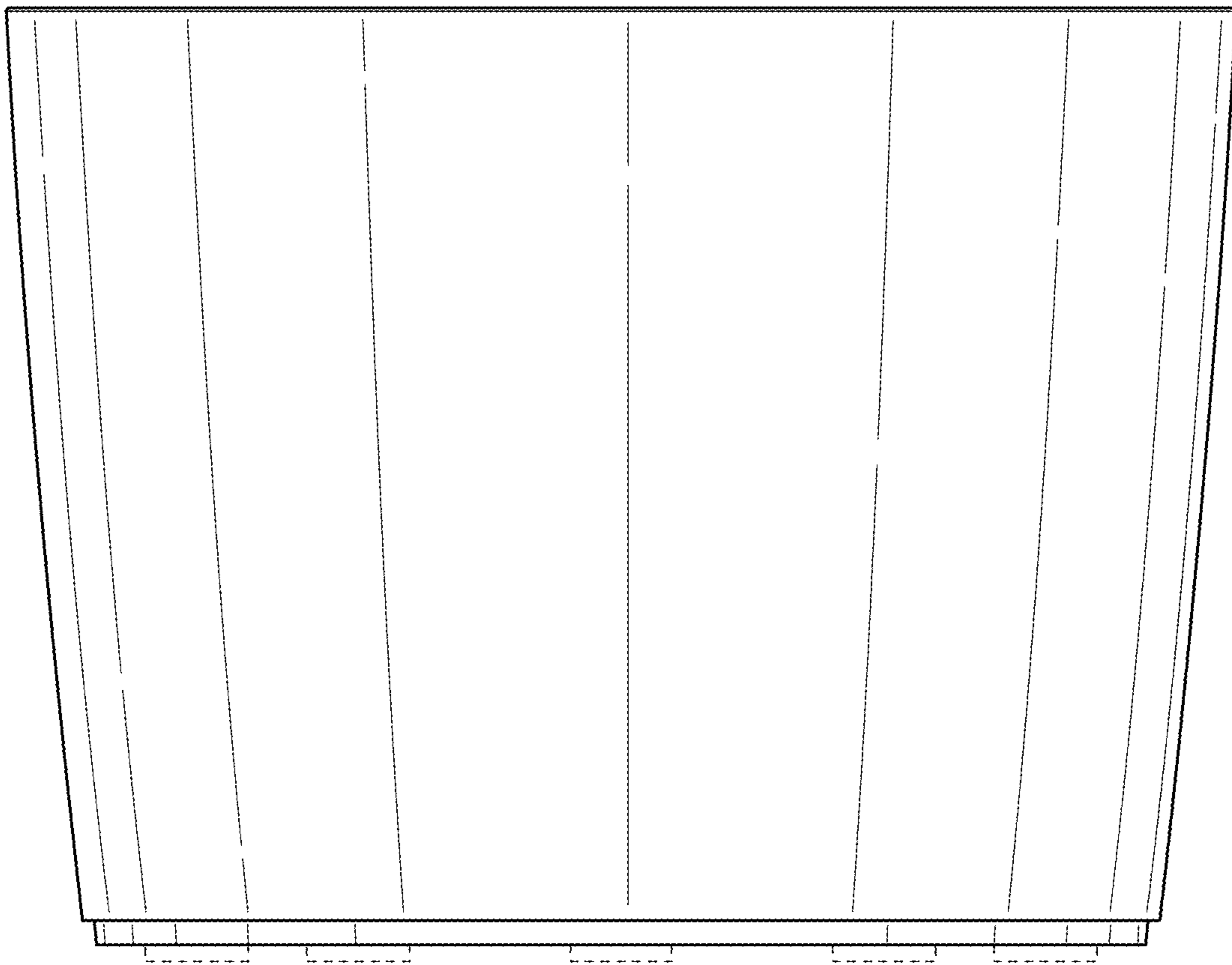


FIG. 1

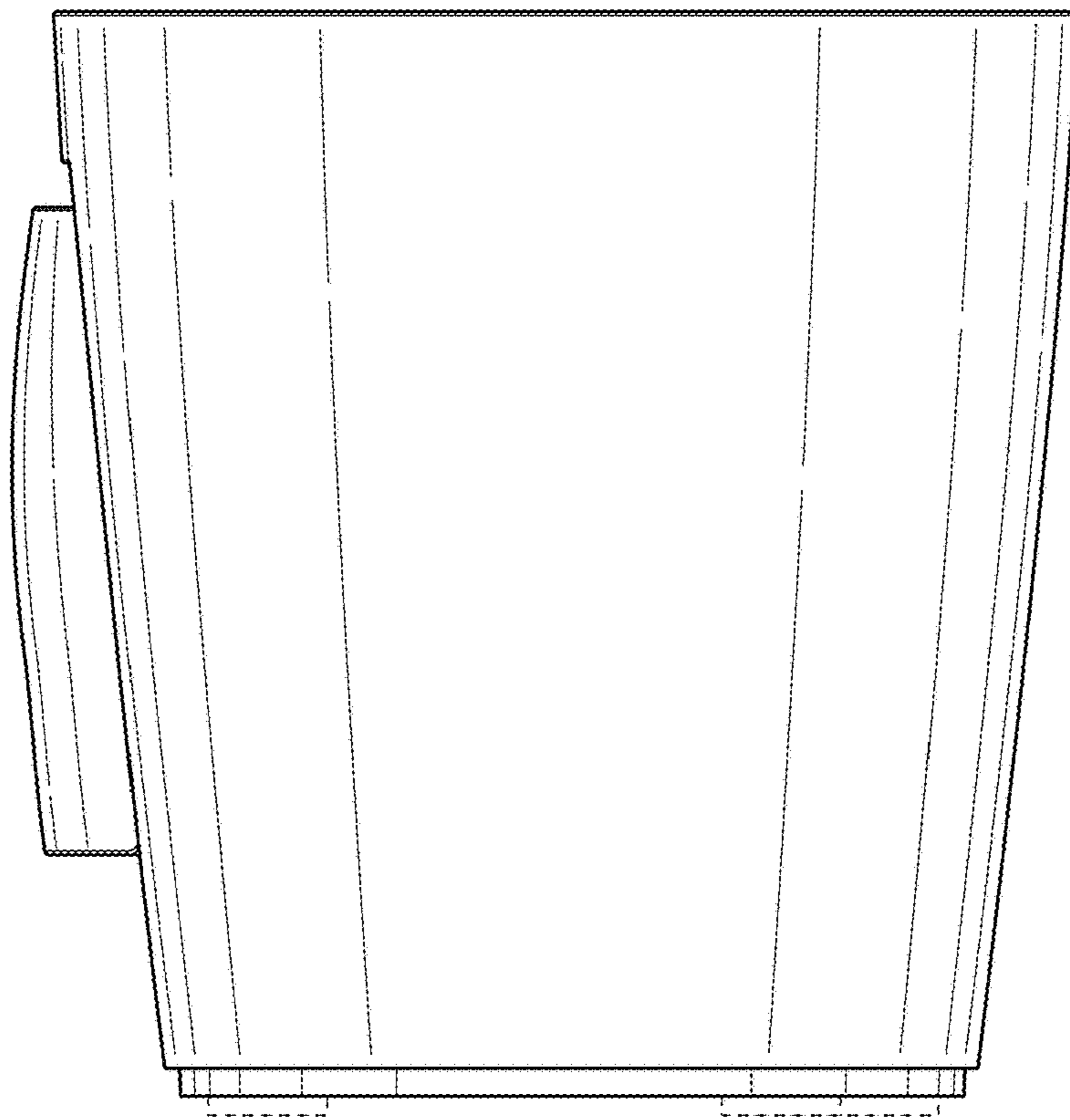


FIG. 2

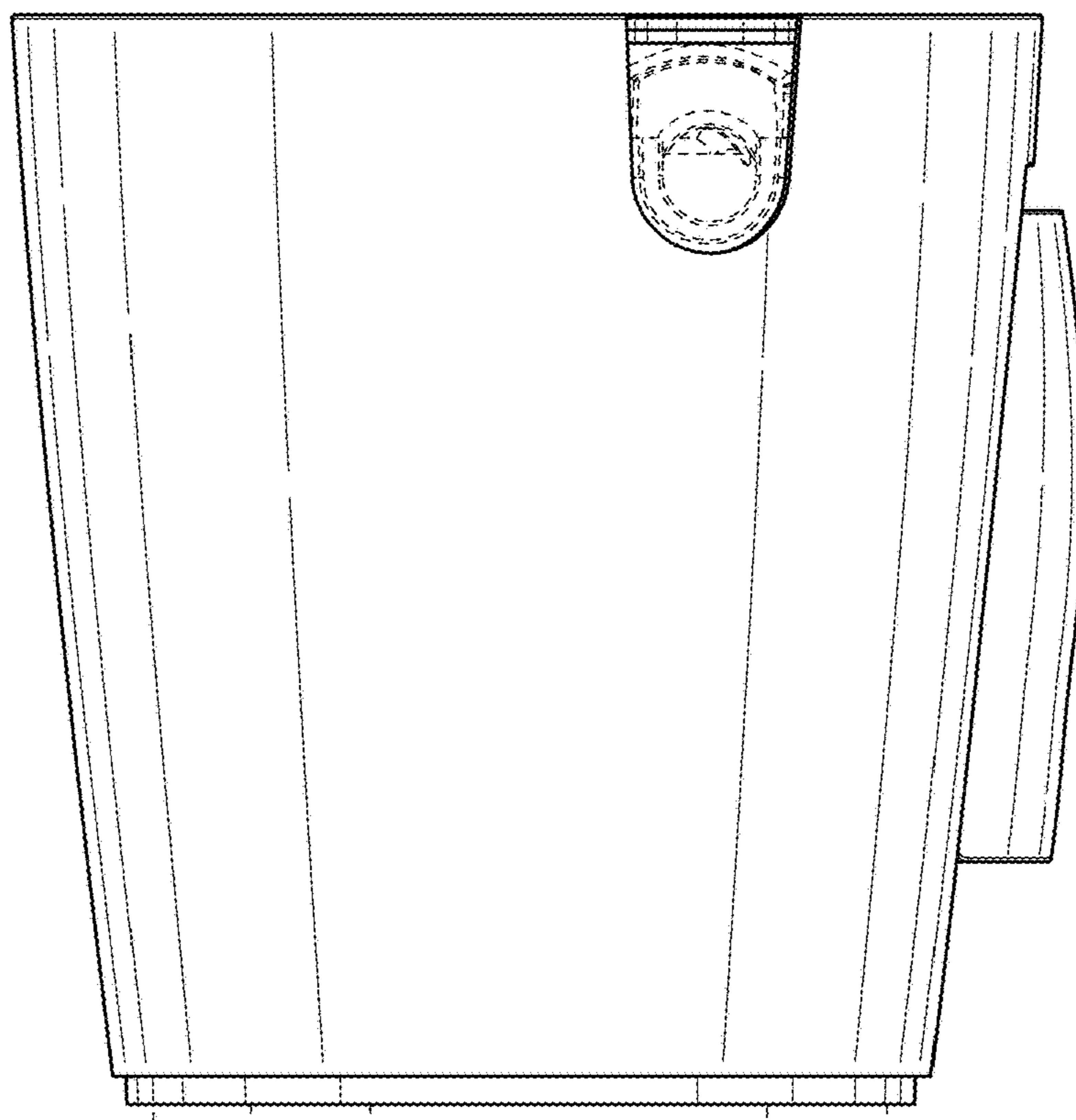


FIG. 3

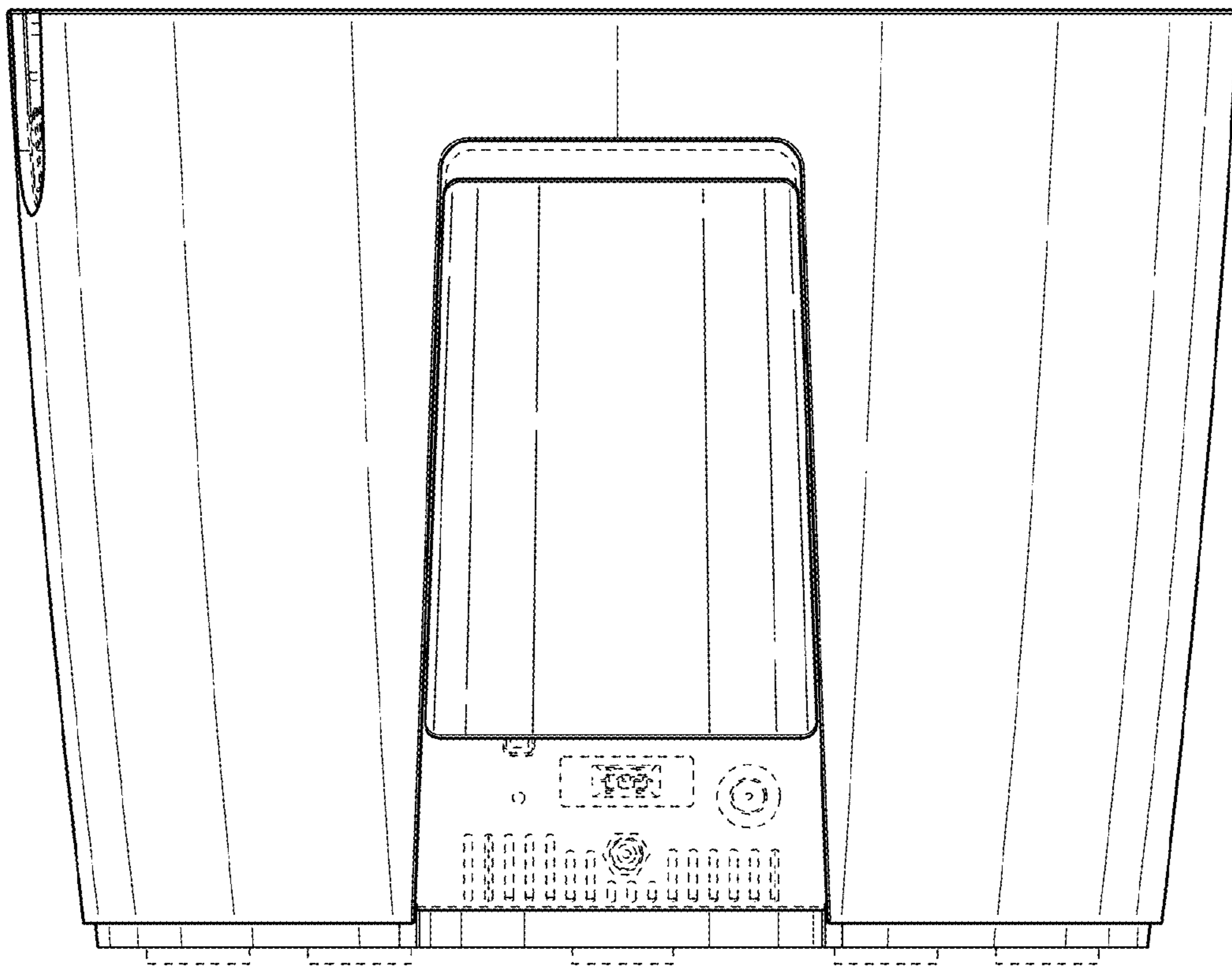


FIG. 4

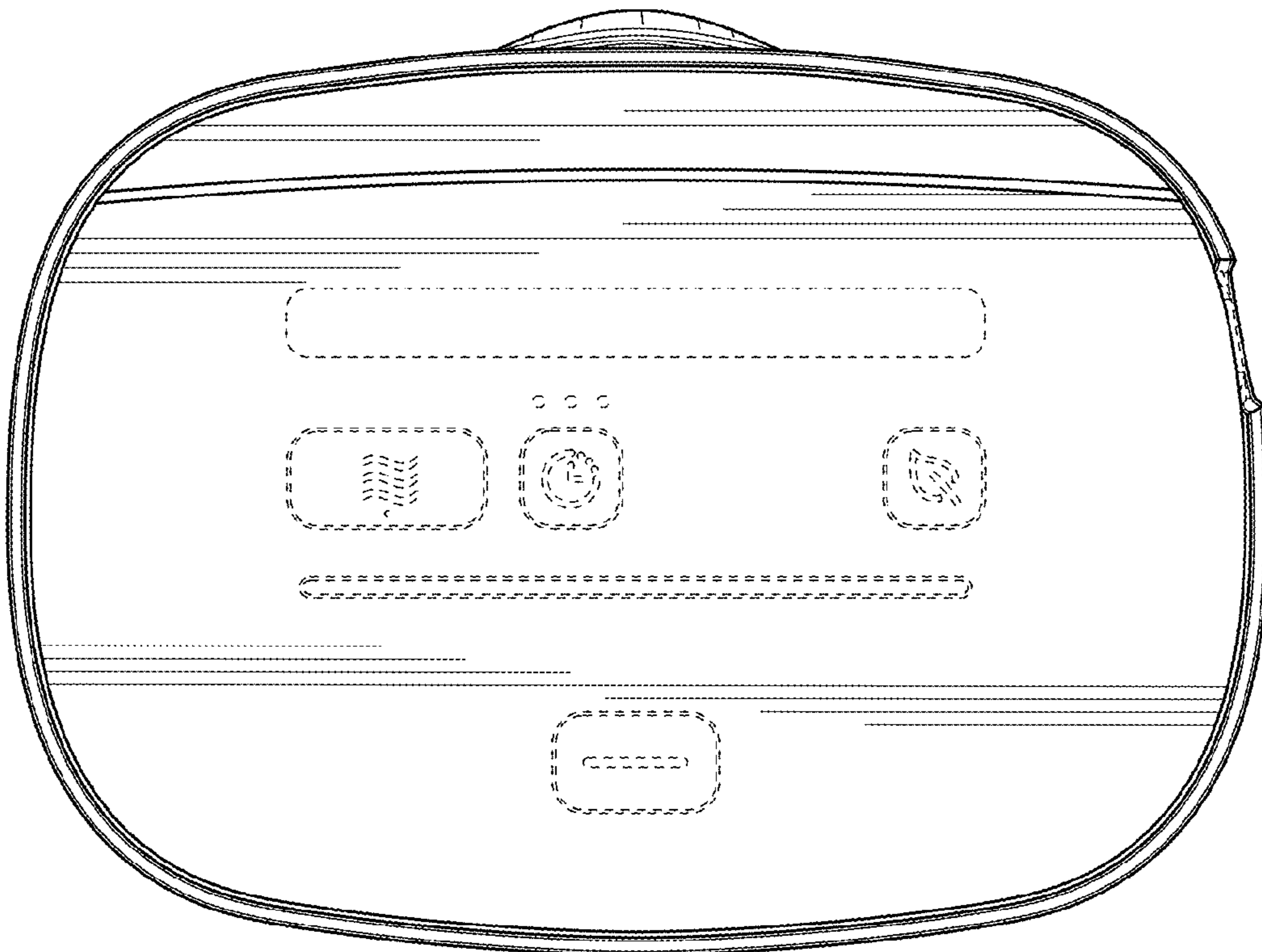


FIG. 5

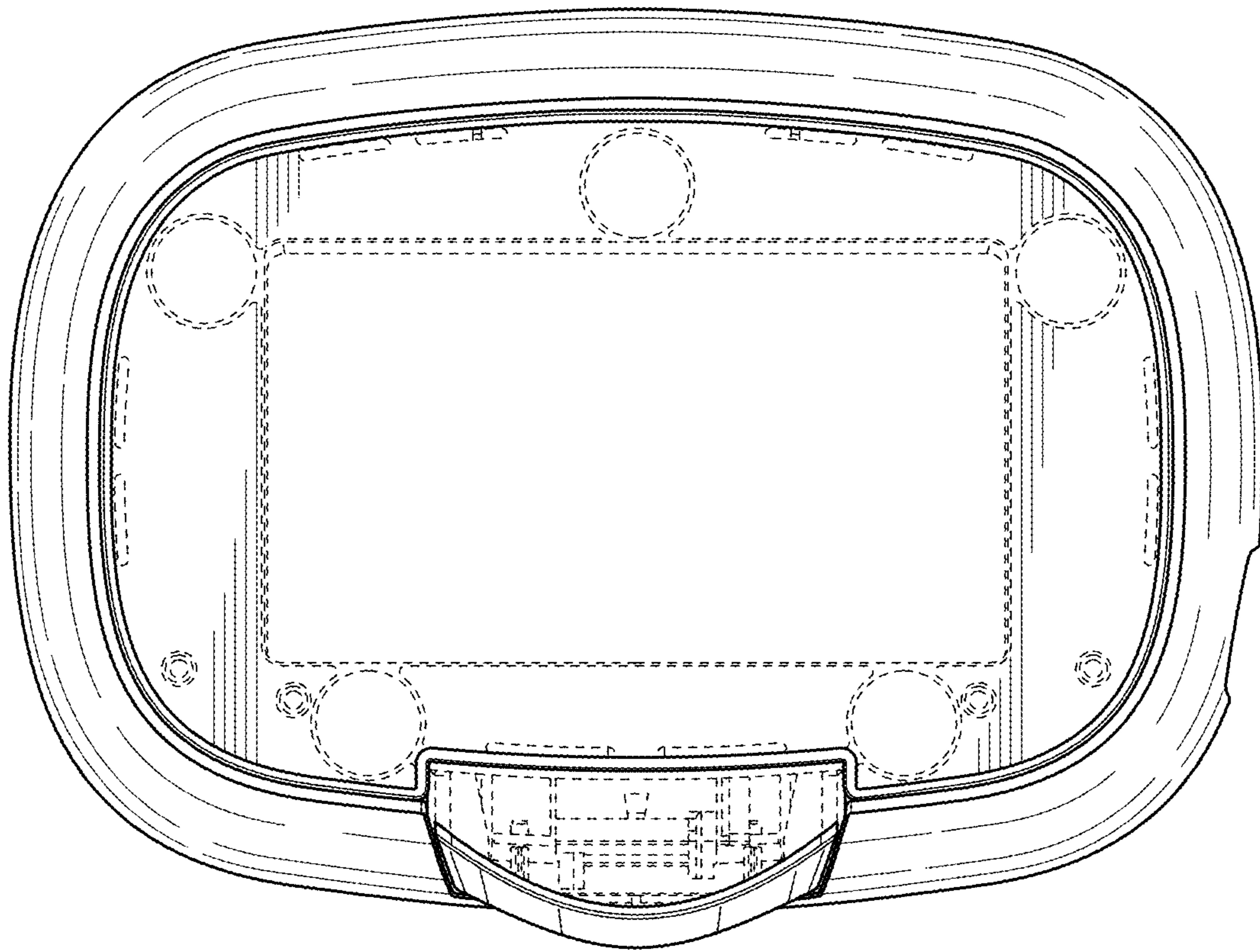


FIG. 6

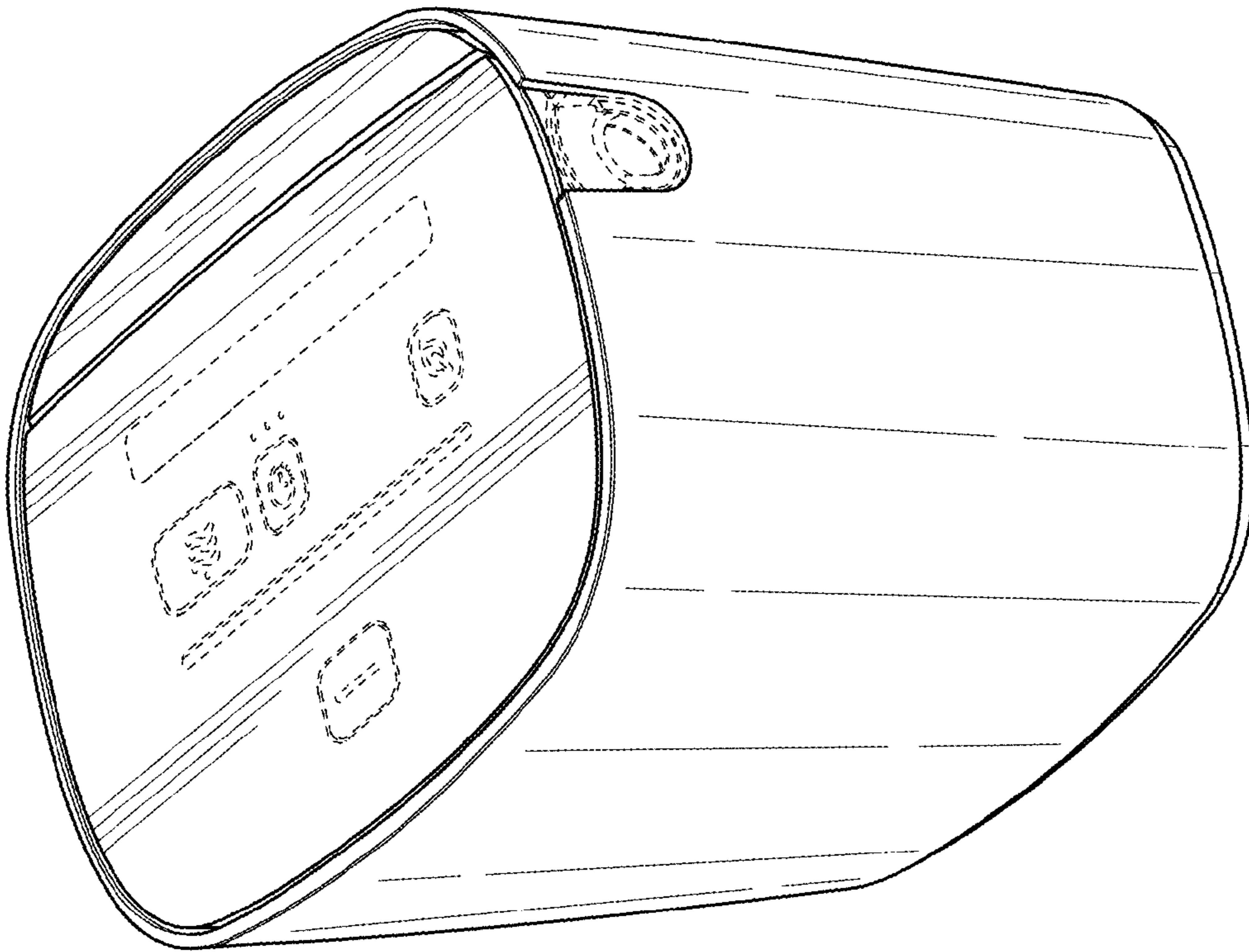


FIG. 8

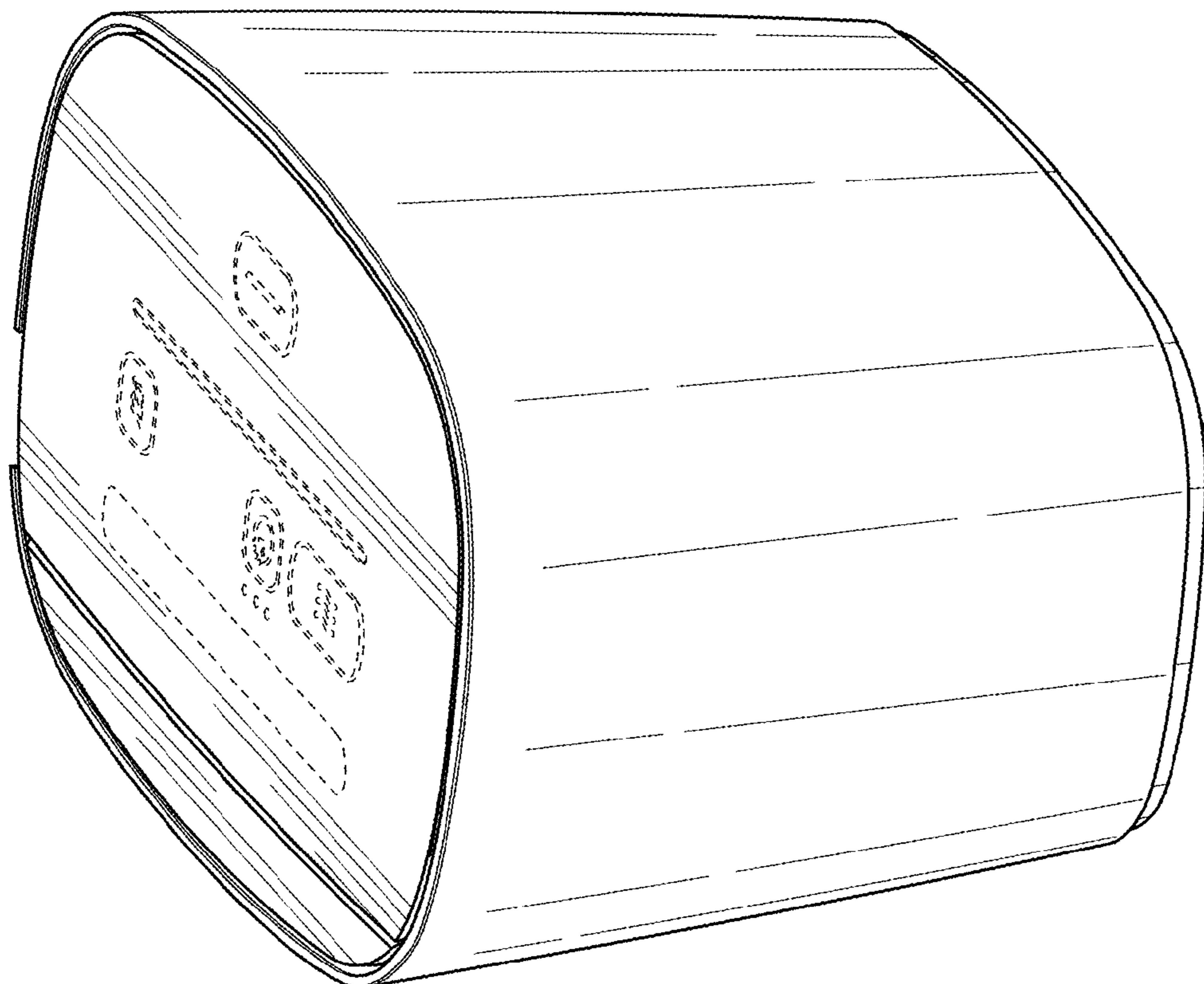


FIG. 7

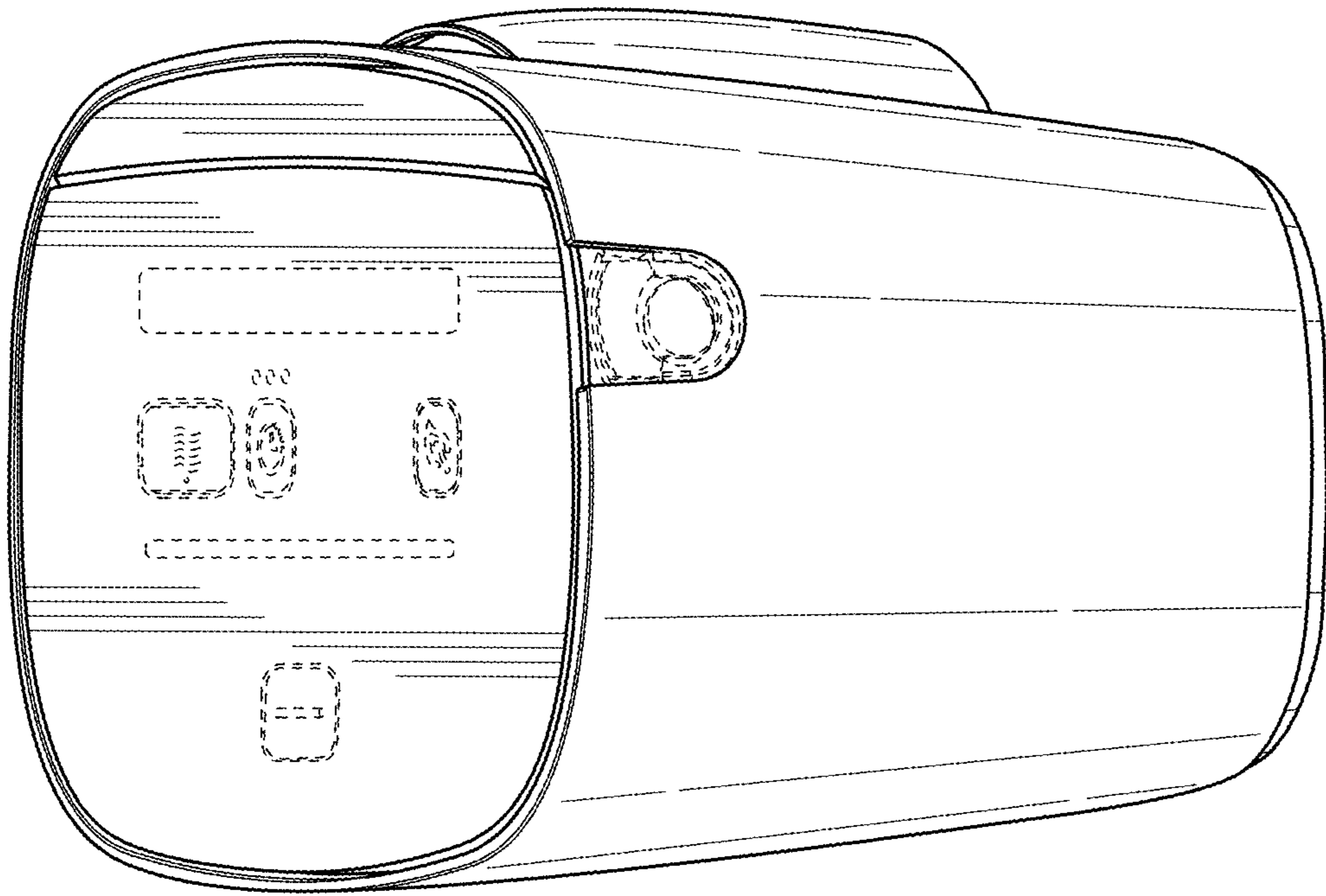


FIG. 10

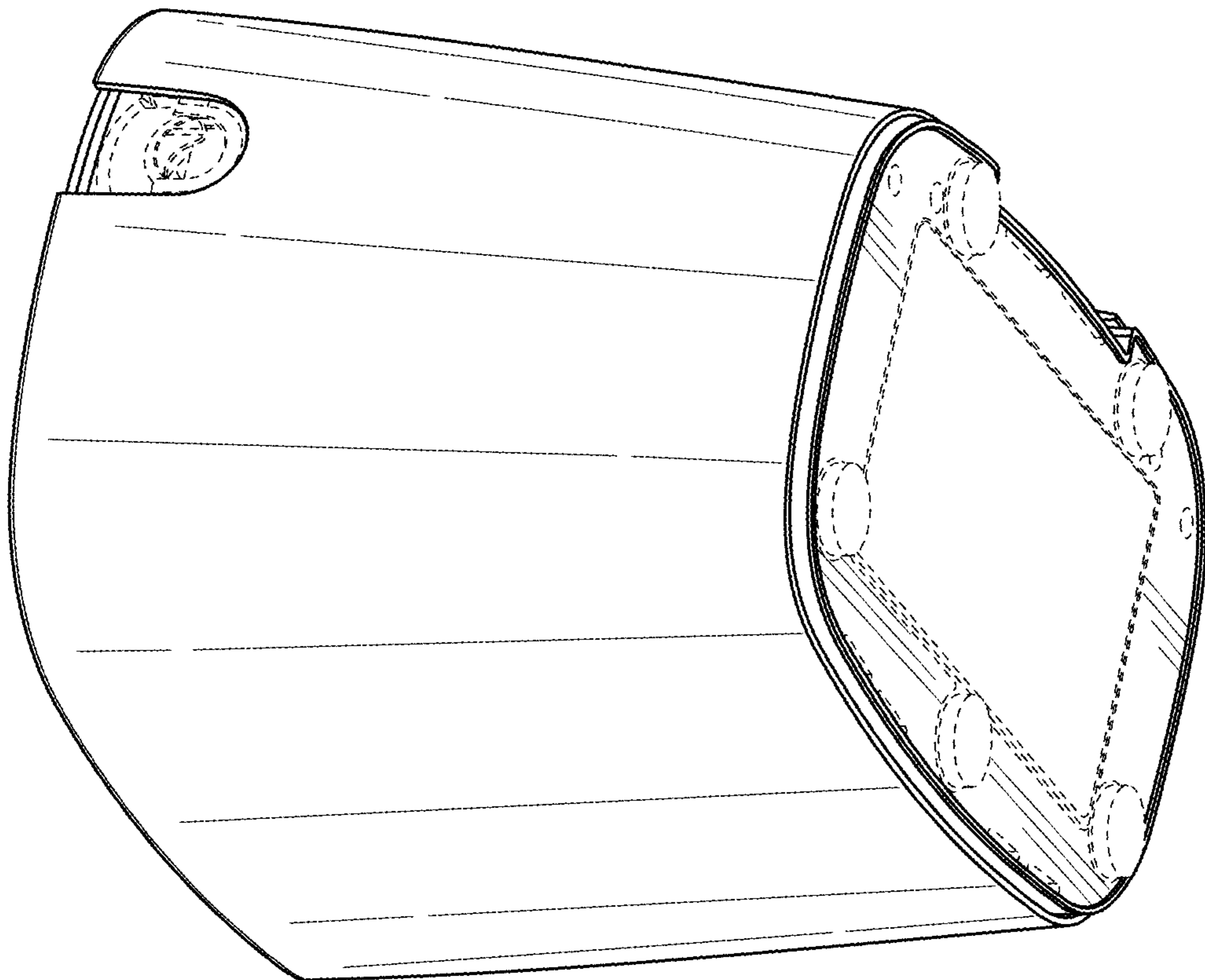


FIG. 9



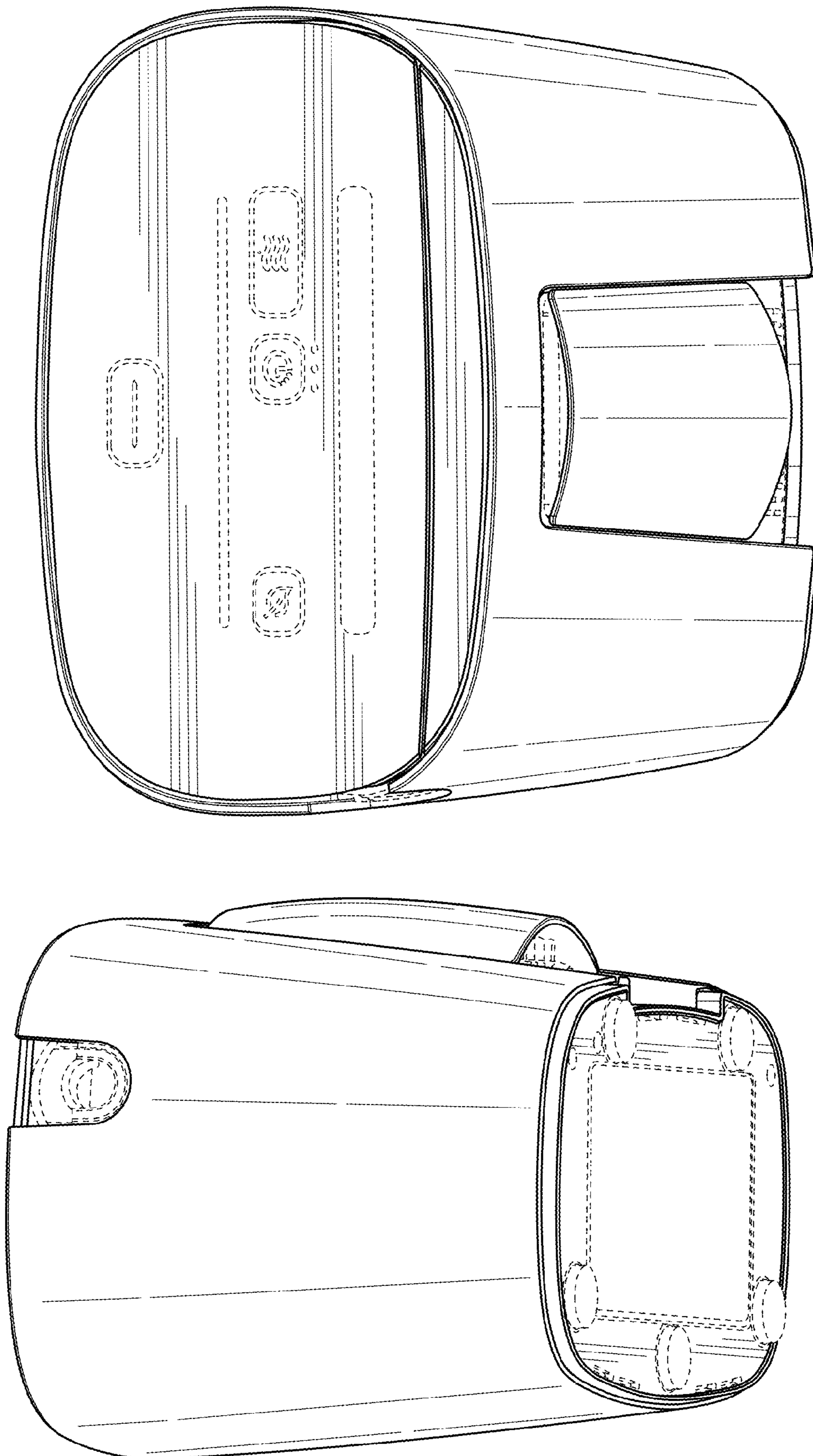


FIG. 12

FIG. 11

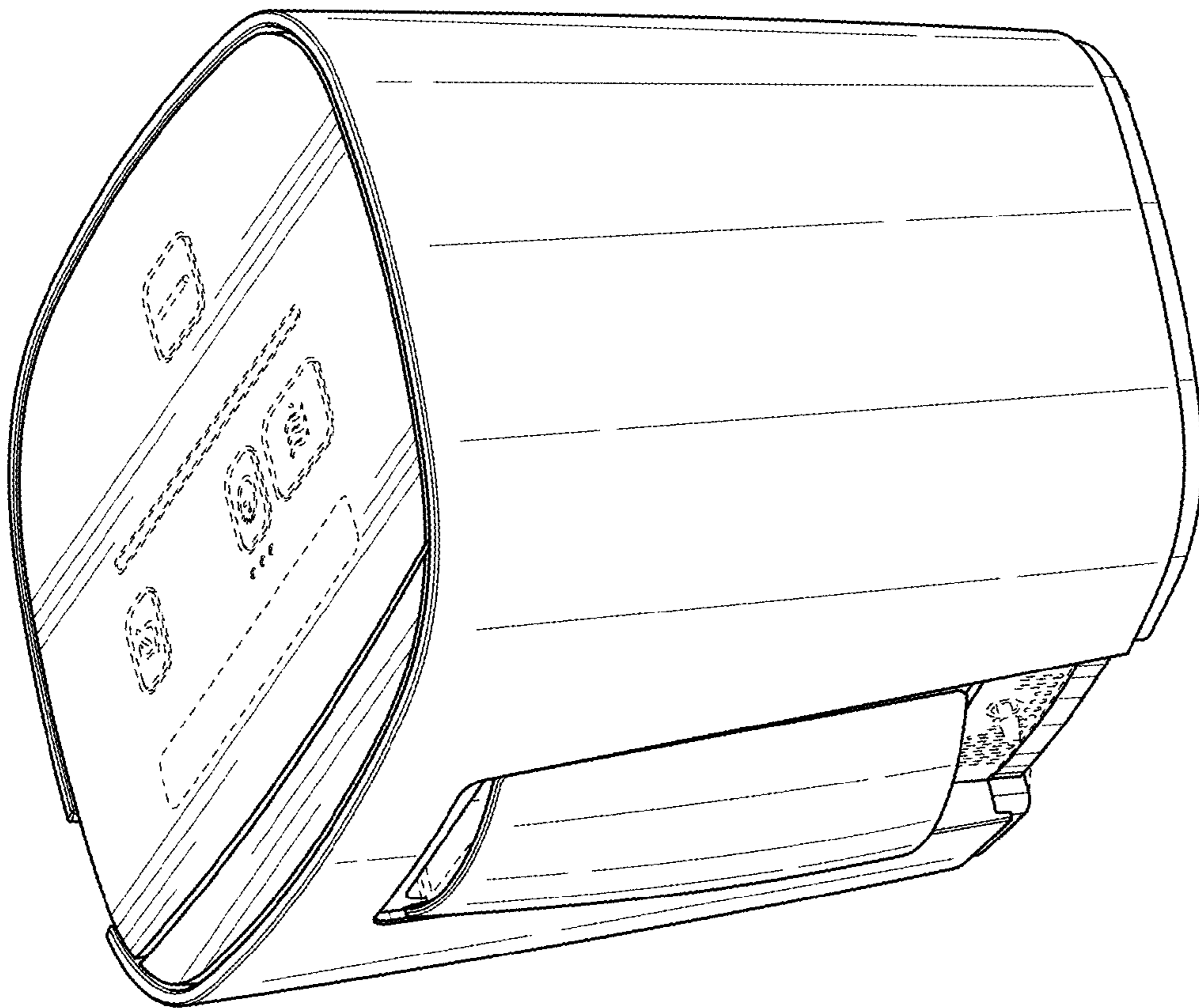


FIG. 14

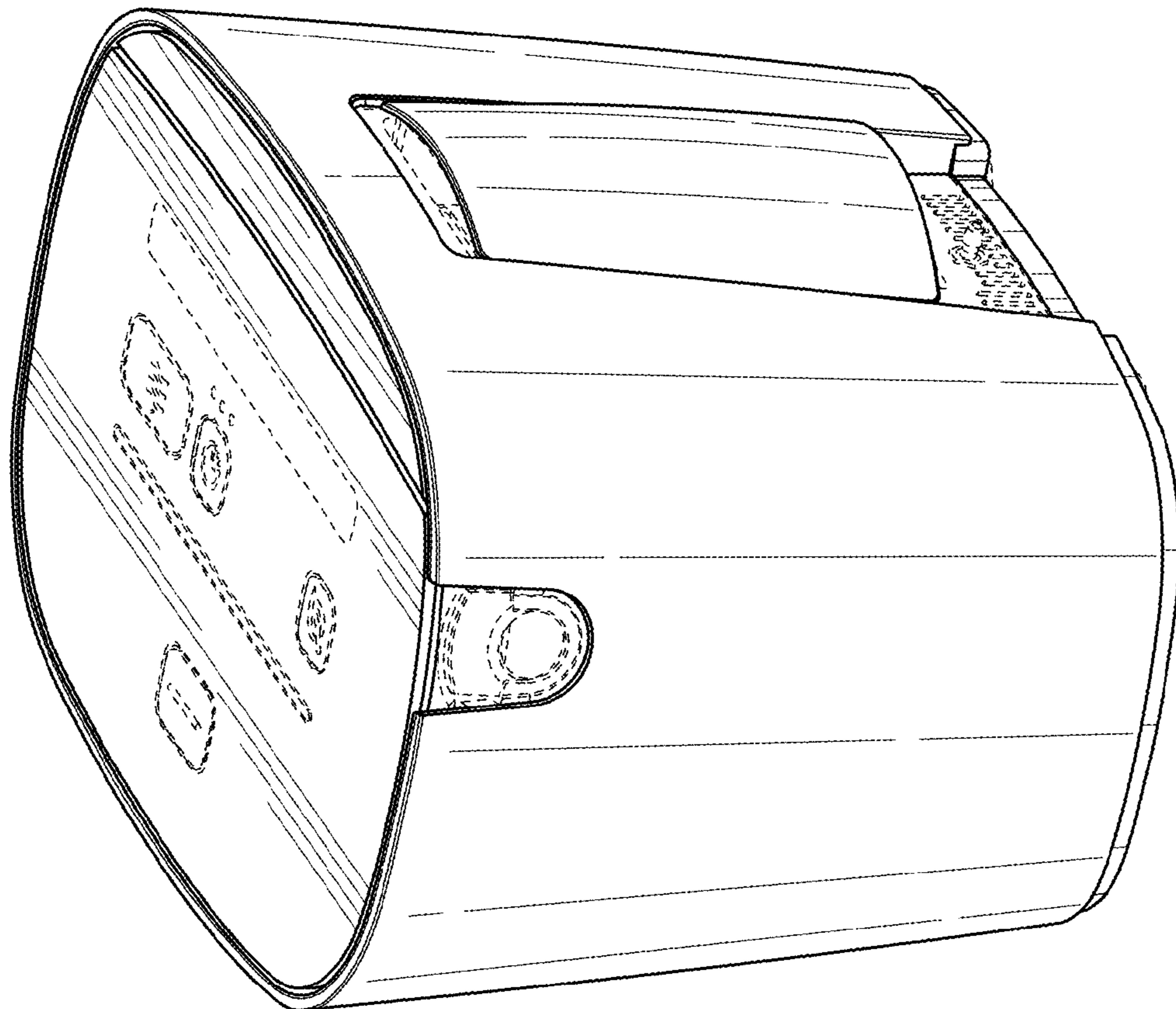


FIG. 13

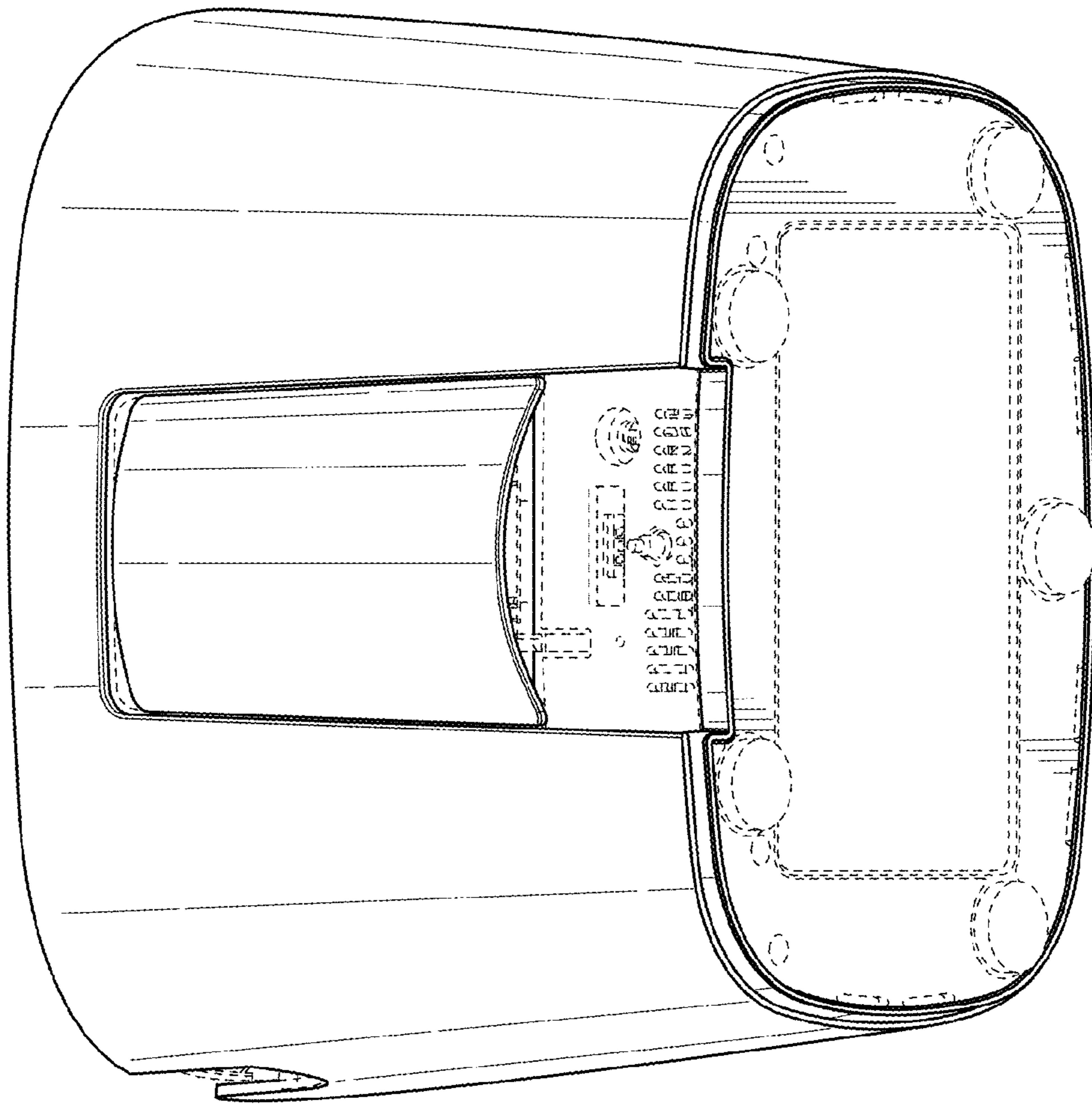


FIG. 15

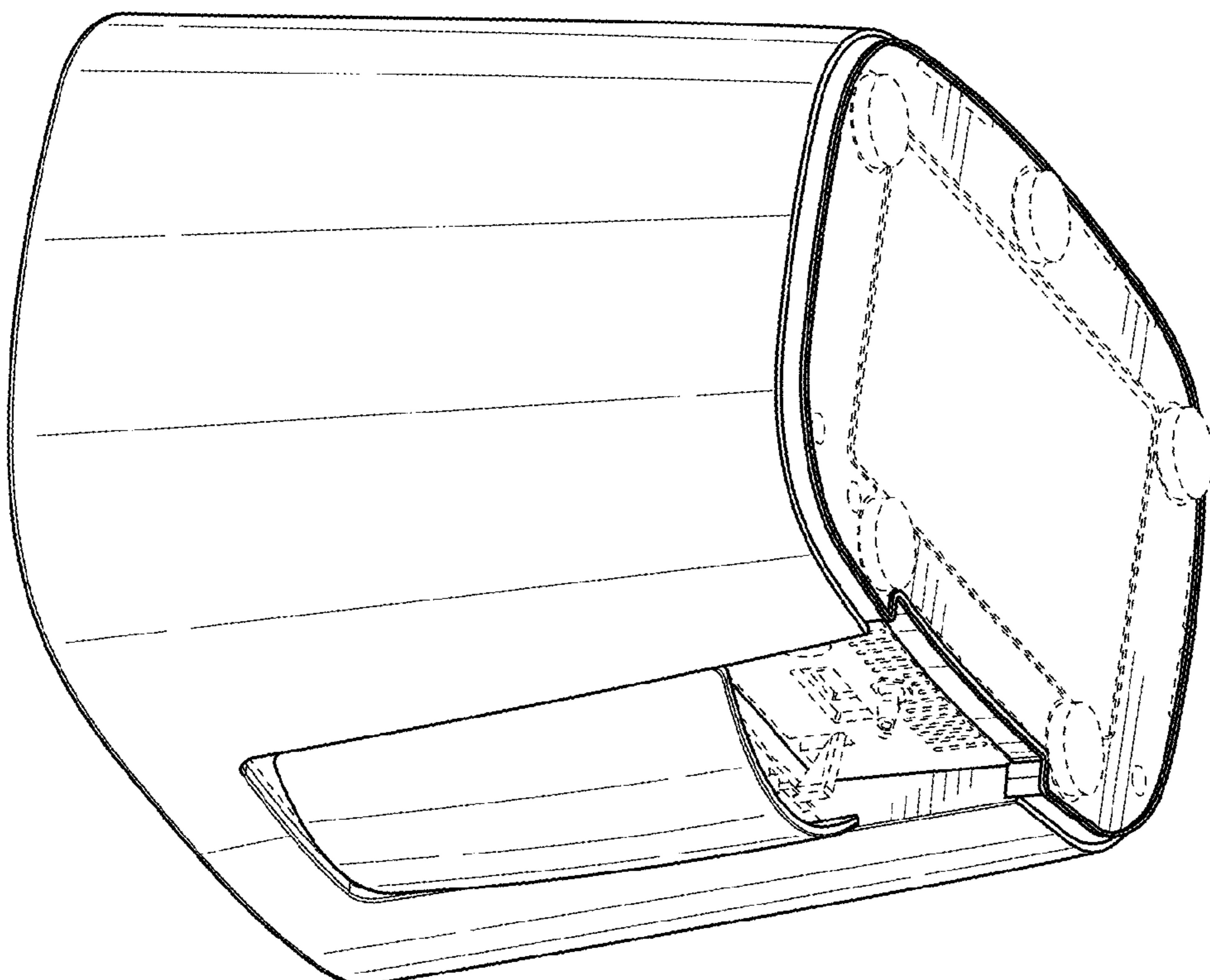


FIG. 16

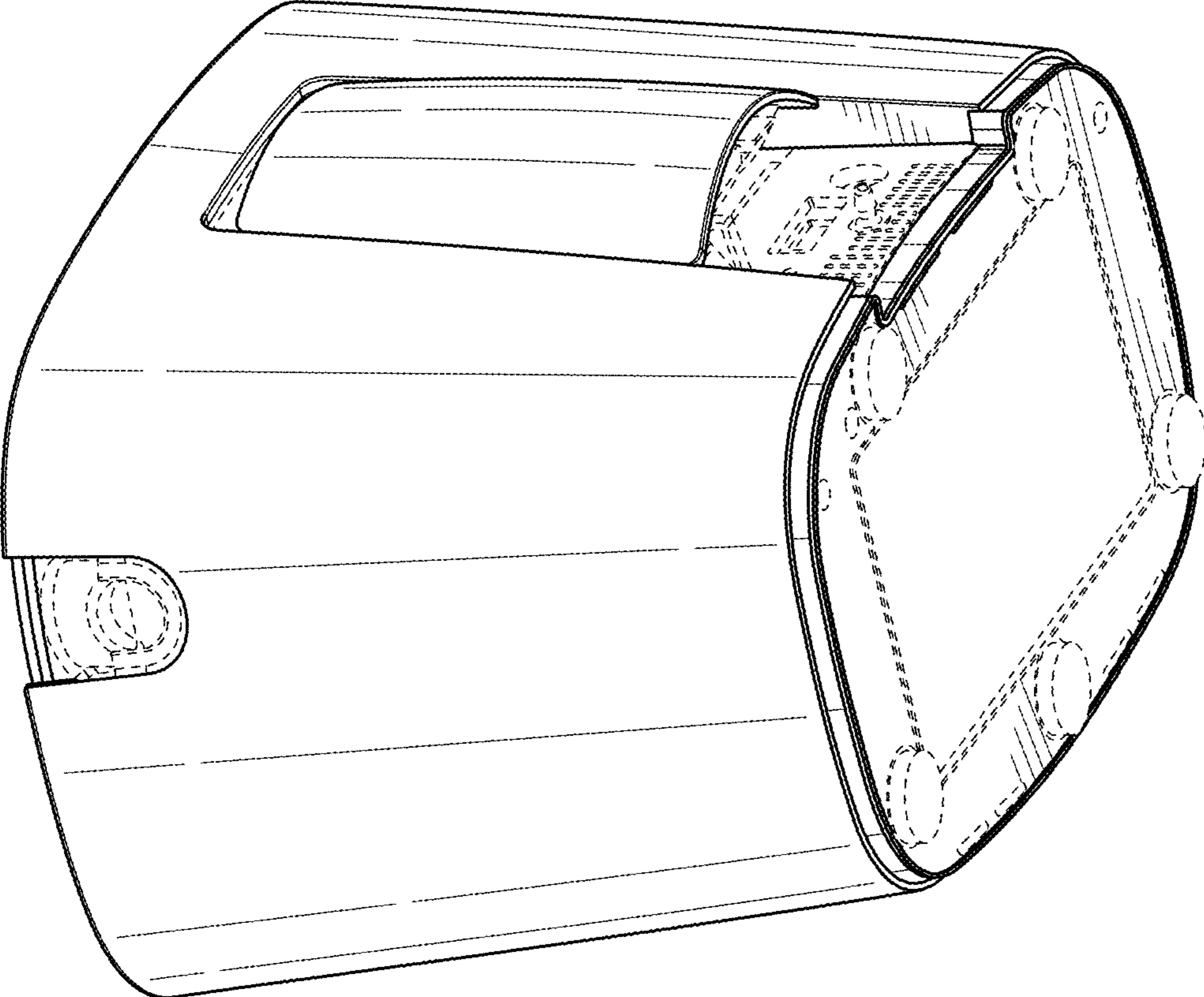


FIG. 17