



US00D899620S

(12) **United States Design Patent** (10) **Patent No.:** **US D899,620 S**
Huang (45) **Date of Patent:** **** Oct. 20, 2020**

(54) **FASCIA GUN**
(71) Applicant: **Shenzhen Zhongyiliang Technology Co., Ltd., Shenzhen (CN)**
(72) Inventor: **Zuzhang Huang, Shenzhen (CN)**
(**) Term: **15 Years**
(21) Appl. No.: **29/734,975**
(22) Filed: **May 18, 2020**
(51) **LOC (12) Cl.** **28-03**
(52) **U.S. Cl.**
USPC **D24/215**
(58) **Field of Classification Search**
USPC D24/133, 200, 211, 212, 213, 214, 215;
D8/14.1
CPC A61H 23/004; A61H 7/001; A61H 7/003;
A61H 23/006; A61H 23/00
See application file for complete search history.

D884,205 S * 5/2020 Zhuang D24/215
D884,207 S * 5/2020 Ma D24/215
D886,317 S * 6/2020 Marton D24/215
2019/0254921 A1* 8/2019 Marton A61H 23/0263
2020/0069510 A1* 3/2020 Wersland A61H 1/008
2020/0085675 A1* 3/2020 Lee A61H 1/00

OTHER PUBLICATIONS

Alibaba, "OEM Massage Gun", Jul. 23, 2020. https://www.alibaba.com/product-detail/OEM-Massage-Gun-Electric-Therapy-Full_1600052401695.html?spm=a2700.7735675.normalList.98.7b0d76e7a8DTNb. Shown on p. 1. (Year: 2020).*

* cited by examiner

Primary Examiner — Cynthia Ramirez
Assistant Examiner — Michael A Maharajh
(74) *Attorney, Agent, or Firm* — HYIP

(57) **CLAIM**

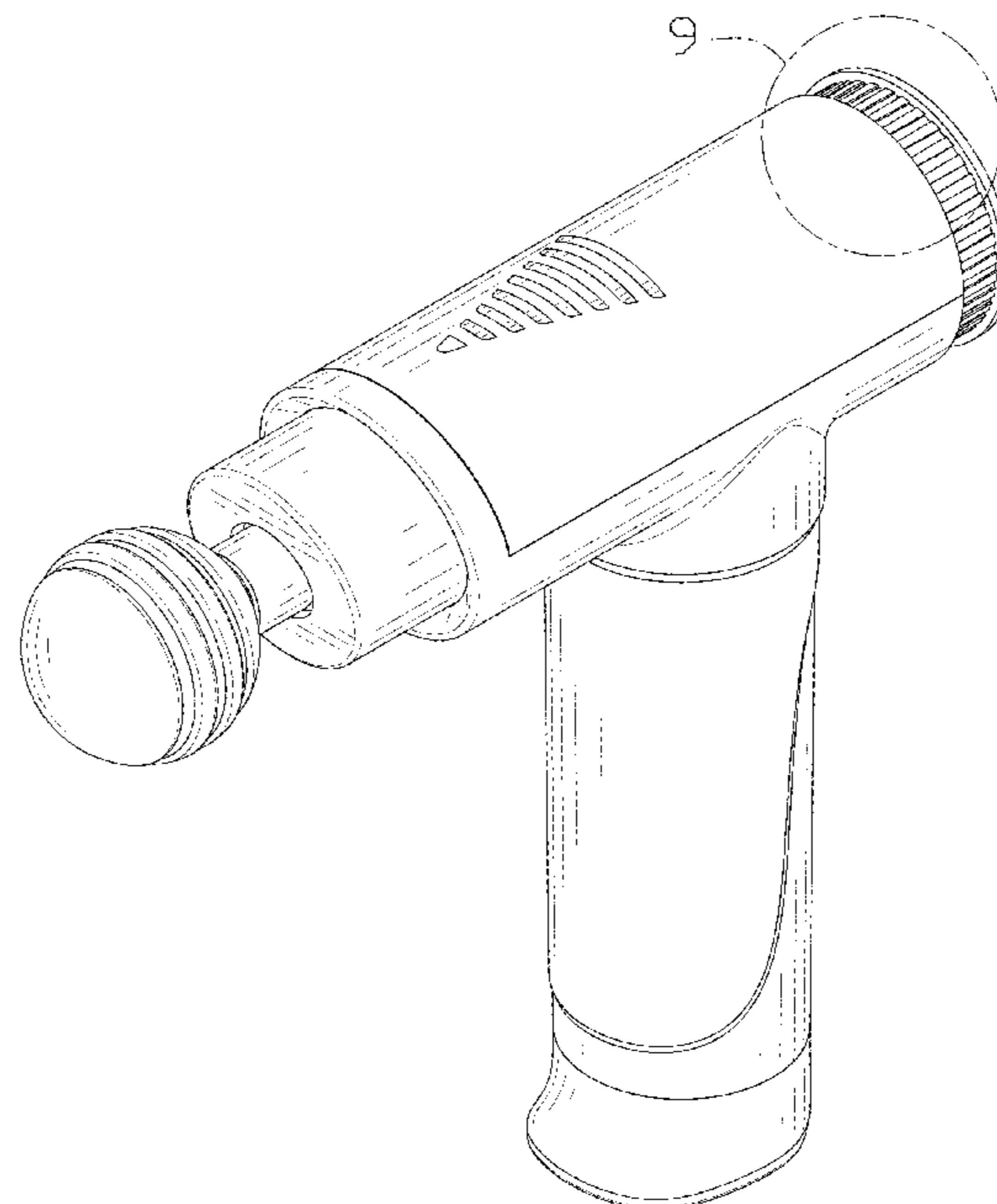
The ornamental design for a fascia gun, as shown and described.

DESCRIPTION

FIG. 1 is a first perspective view of a fascia gun showing my new design;
FIG. 2 is a second perspective view thereof;
FIG. 3 is a front view thereof;
FIG. 4 is a back view thereof;
FIG. 5 is a left side view thereof;
FIG. 6 is a right side view thereof;
FIG. 7 is a top view thereof;
FIG. 8 is a bottom view thereof; and,
FIG. 9 is an enlarged view of the selected portion in FIG. 1. The broken lines shown in the drawings depict portions of the fascia gun in which the design is embodied that form no part of the claimed design.

(56) **References Cited**
U.S. PATENT DOCUMENTS
D403,075 S * 12/1998 Lie D24/214
D448,852 S * 10/2001 Engelen D24/215
D530,020 S 10/2006 Cooper
D544,102 S * 6/2007 Pivaroff D24/215
D553,252 S * 10/2007 Masuda D24/214
D648,441 S 11/2011 Rivero
D838,378 S * 1/2019 Cao D24/215
D840,547 S * 2/2019 Harle D24/214
D847,364 S * 4/2019 Lee D24/215
10,314,762 B1 * 6/2019 Marton A61H 23/006
D855,822 S * 8/2019 Marton D24/215
D863,571 S * 10/2019 Yang D24/200
D872,869 S 1/2020 Lu
D873,432 S * 1/2020 Duan D24/214
D874,015 S * 1/2020 Marton D24/215
D875,961 S * 2/2020 Li D24/211

1 Claim, 9 Drawing Sheets



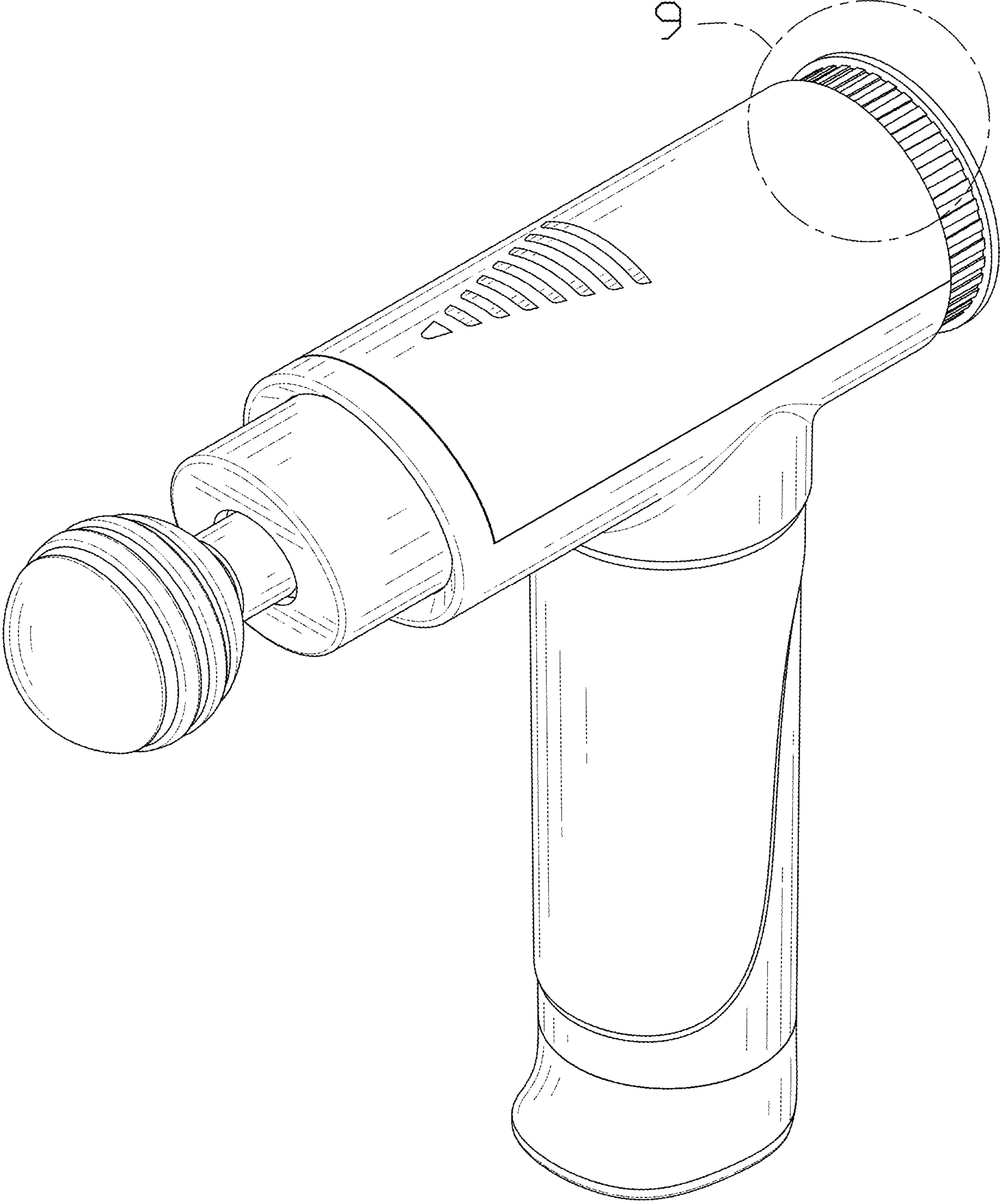


FIG. 1

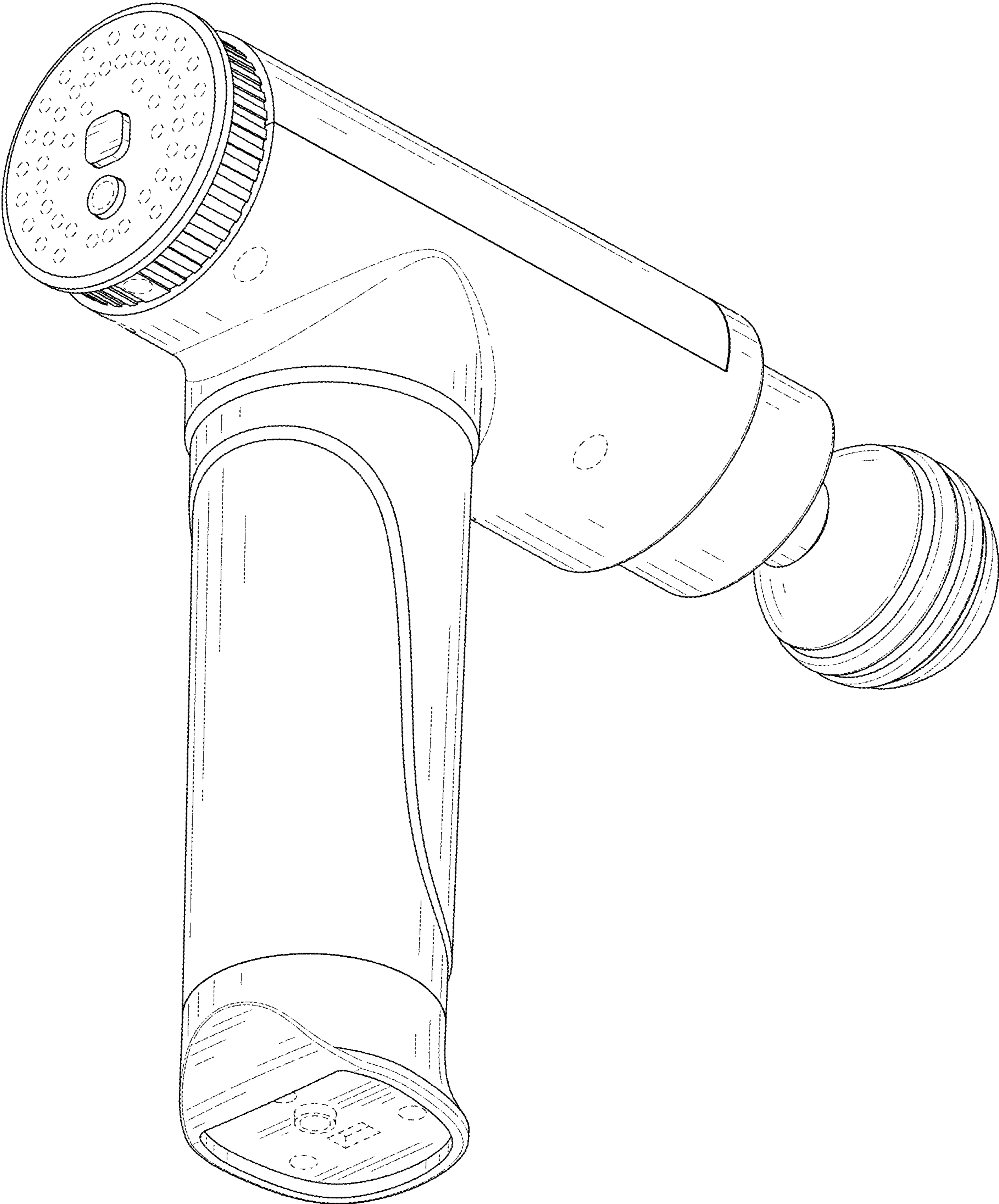


FIG. 2

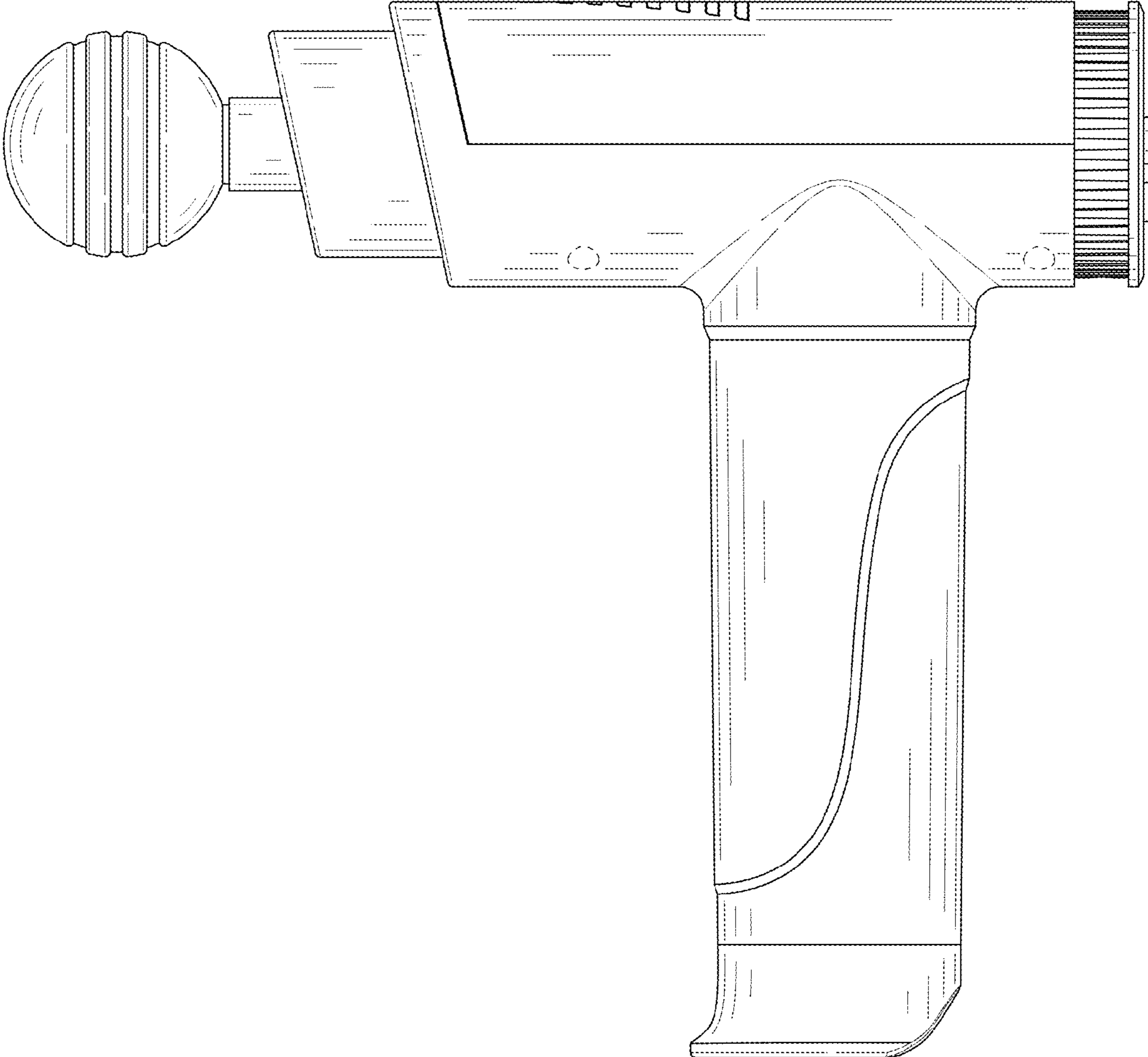


FIG. 3

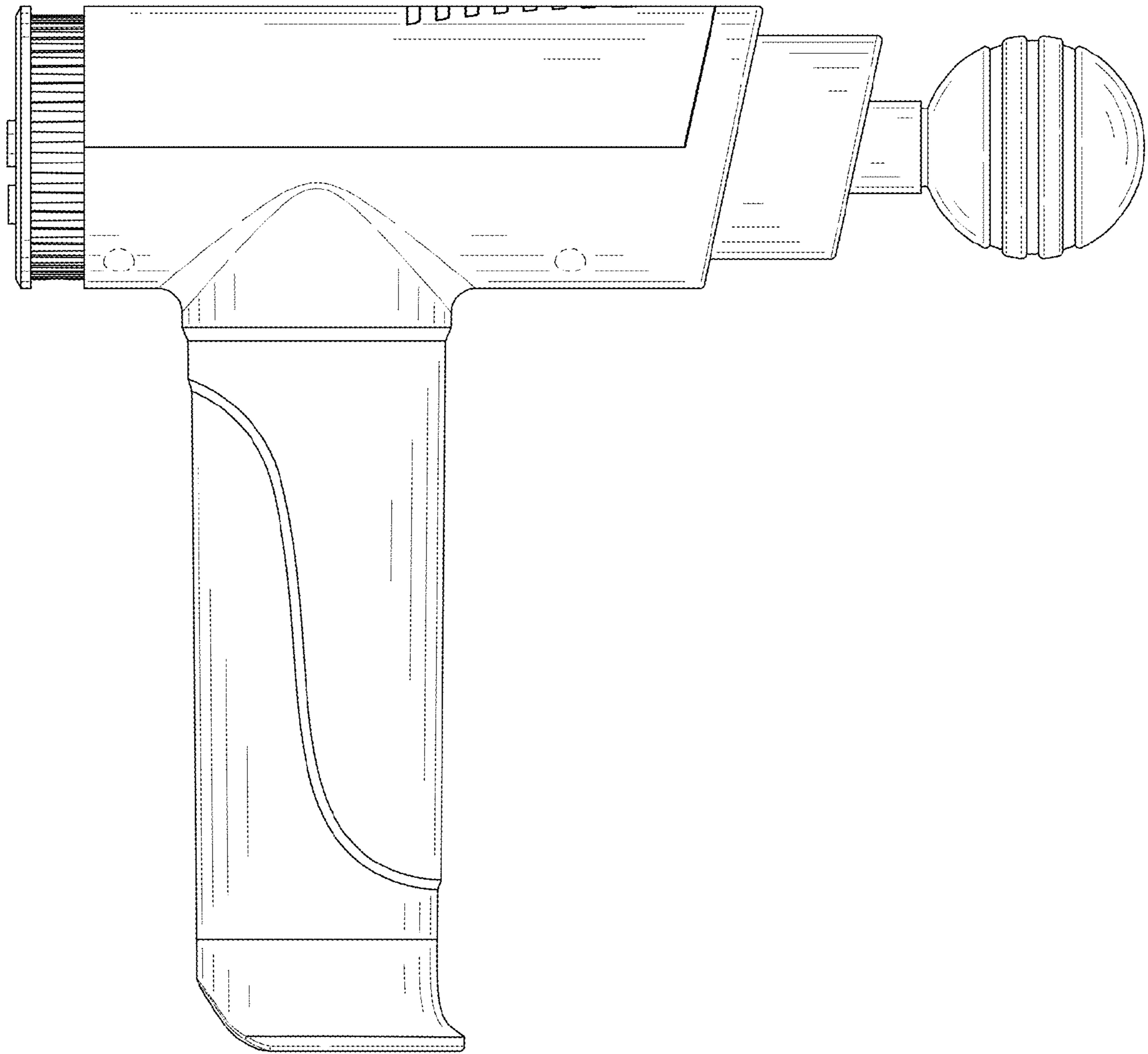


FIG. 4

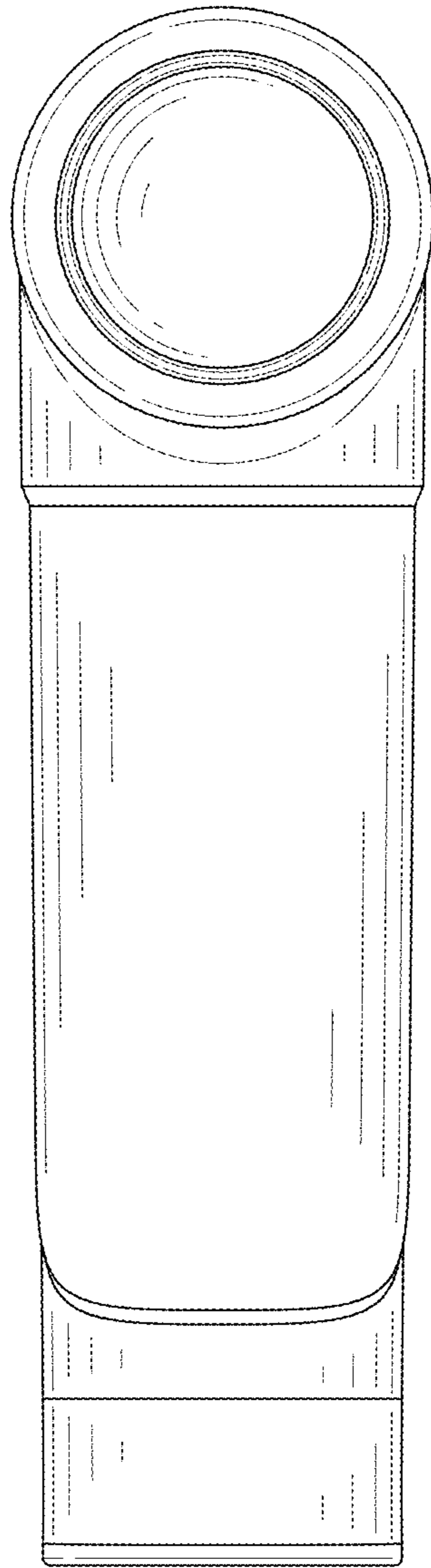


FIG. 5

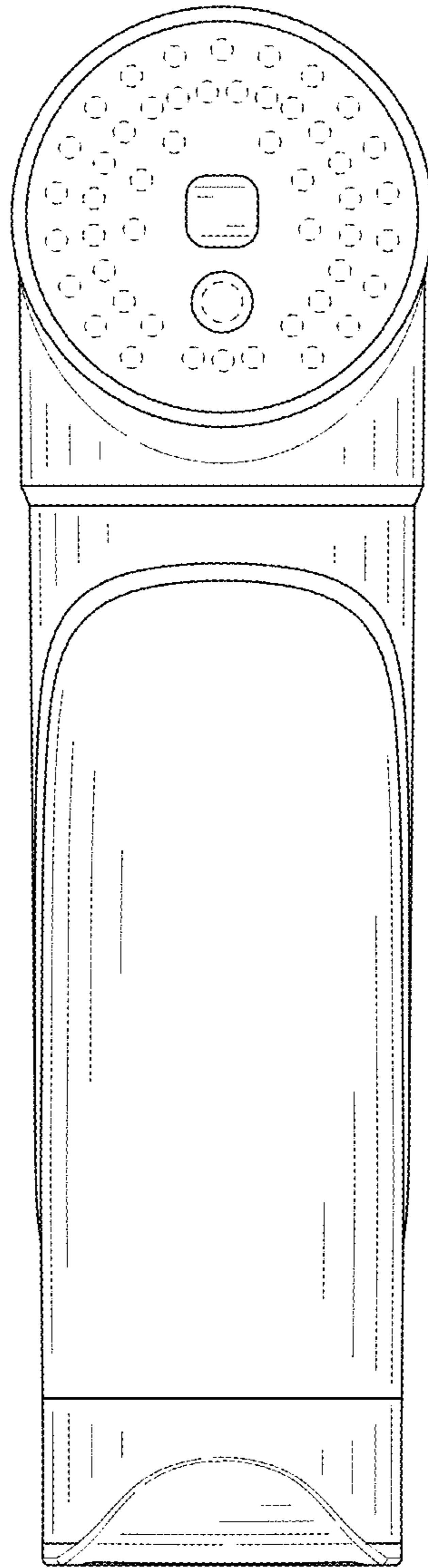


FIG. 6

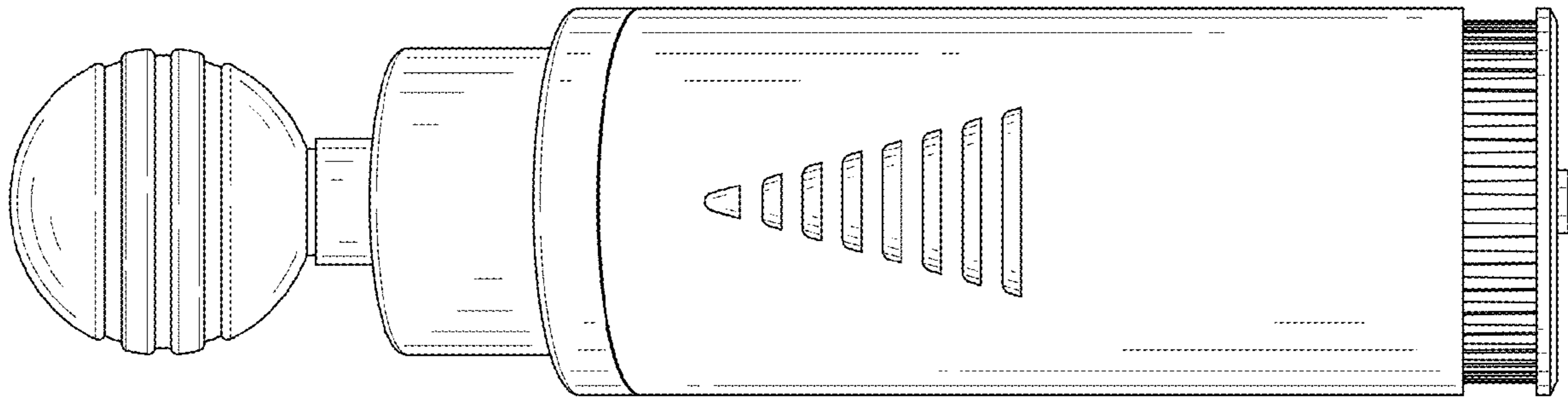


FIG. 7

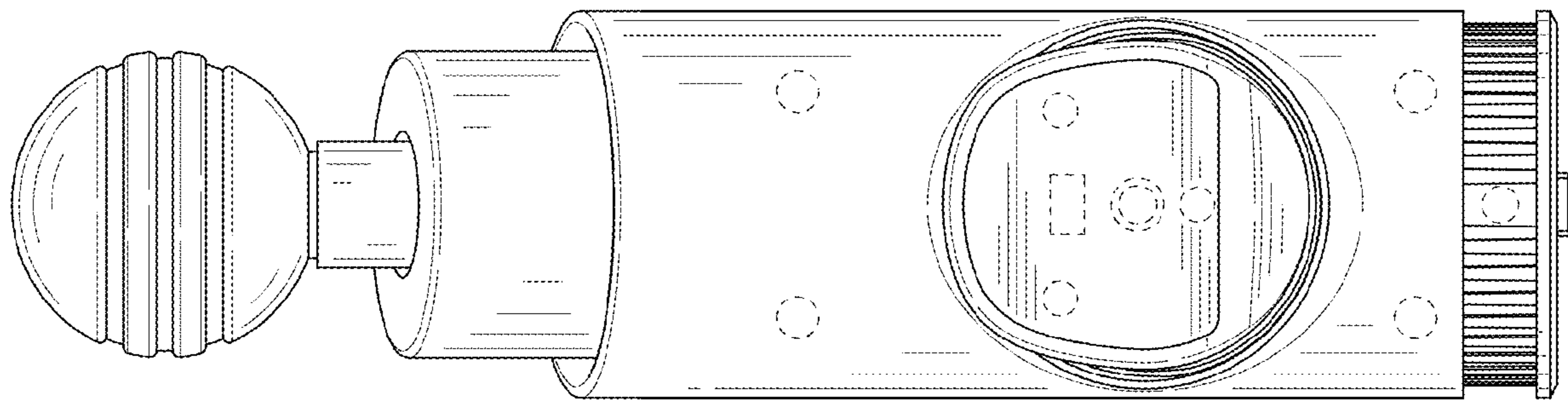


FIG. 8

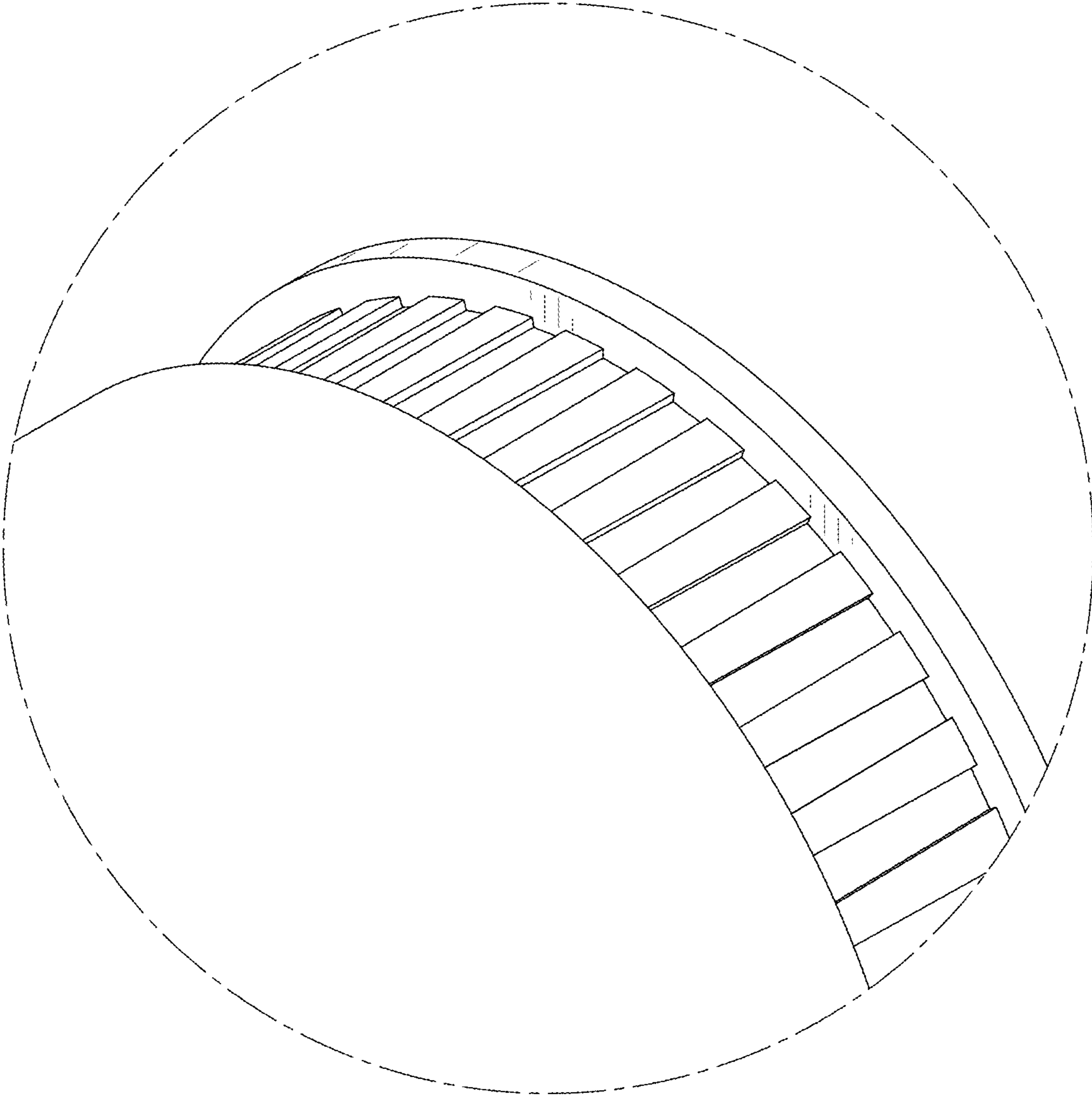


FIG. 9