



US00D899614S

(12) **United States Design Patent** (10) **Patent No.:** **US D899,614 S**
Park (45) **Date of Patent:** **** Oct. 20, 2020**

(54) **HAND HELD MASSAGER ELEMENT**

(71) Applicant: **HOMELEC KOREA CO., LTD**, Seoul (KR)

(72) Inventor: **Kun Woo Park**, Gyeonggi-do (KR)

(73) Assignee: **HOMELEC KOREA CO., LTD.**, Seoul (KR)

(**) Term: **15 Years**

(21) Appl. No.: **29/668,924**

(22) Filed: **Nov. 2, 2018**

(30) **Foreign Application Priority Data**

Jun. 28, 2018 (KR) 30-2018-0029928

(51) **LOC (12) Cl.** **28-03**

(52) **U.S. Cl.**
USPC **D24/214**

(58) **Field of Classification Search**
USPC D21/395, 441, 443, 455, 680, 694, 707;
D24/214; D30/160; D12/204, 208, 211
CPC A63H 1/00; A63H 33/002; A63B 21/072;
A61H 7/001; A61H 2015/0028; B24B
5/44; B21D 53/30; B21D 22/14

See application file for complete search history.

(56) **References Cited**

U.S. PATENT DOCUMENTS

D221,833 S * 9/1971 Haydock D8/375
D295,429 S * 4/1988 Sandeen D21/443
D326,837 S * 6/1992 Hultstrum D12/204
D327,048 S * 6/1992 Markling D12/204
D433,469 S * 11/2000 Rojas D21/680
D433,720 S * 11/2000 Rojas D21/680
D433,721 S * 11/2000 Rojas D21/680
D439,290 S * 3/2001 Rojas D21/680
D442,654 S * 5/2001 Buchanan D21/680
D445,153 S * 7/2001 Lincir D21/680
D446,265 S * 8/2001 Lincir D21/680
D446,559 S * 8/2001 Lincir D21/680
D448,055 S * 9/2001 Lien D21/680

D451,158 S * 11/2001 Lincir D21/680
D464,094 S * 10/2002 Fond D21/680
D474,517 S * 5/2003 Harms D21/680
D476,383 S * 6/2003 Chen D21/680
D483,083 S * 12/2003 Allshouse D21/680
D502,514 S * 3/2005 Buchanan D21/680

(Continued)

OTHER PUBLICATIONS

Amazon, "Roller", May 23, 2017. https://www.amazon.com/dp/B06W58W6CD/ref=sspa_dk_detail_4?psc=1&pd_rd_i=B06W58W6CD&pd_rd_w=uHEKg&pf_rd_p=a64be657-55f3-4b6a-91aa-17a31a8febb4&pd_rd_wg=jOmU3&pf_rd_r=8XKPEY8ZVZ2PCCDCFFC7&pd_rd_r=f49e7d8f-8b4b-48d6-a1d9-df592e69e062&spLa=ZW5jcjcnIwdGVkUXVhbGlmaWVyPUEXNTINvk5. (Year: 2017).*

(Continued)

Primary Examiner — Cynthia Ramirez
Assistant Examiner — Michael A Maharajh
(74) *Attorney, Agent, or Firm* — Marshall, Gerstein & Borun LLP

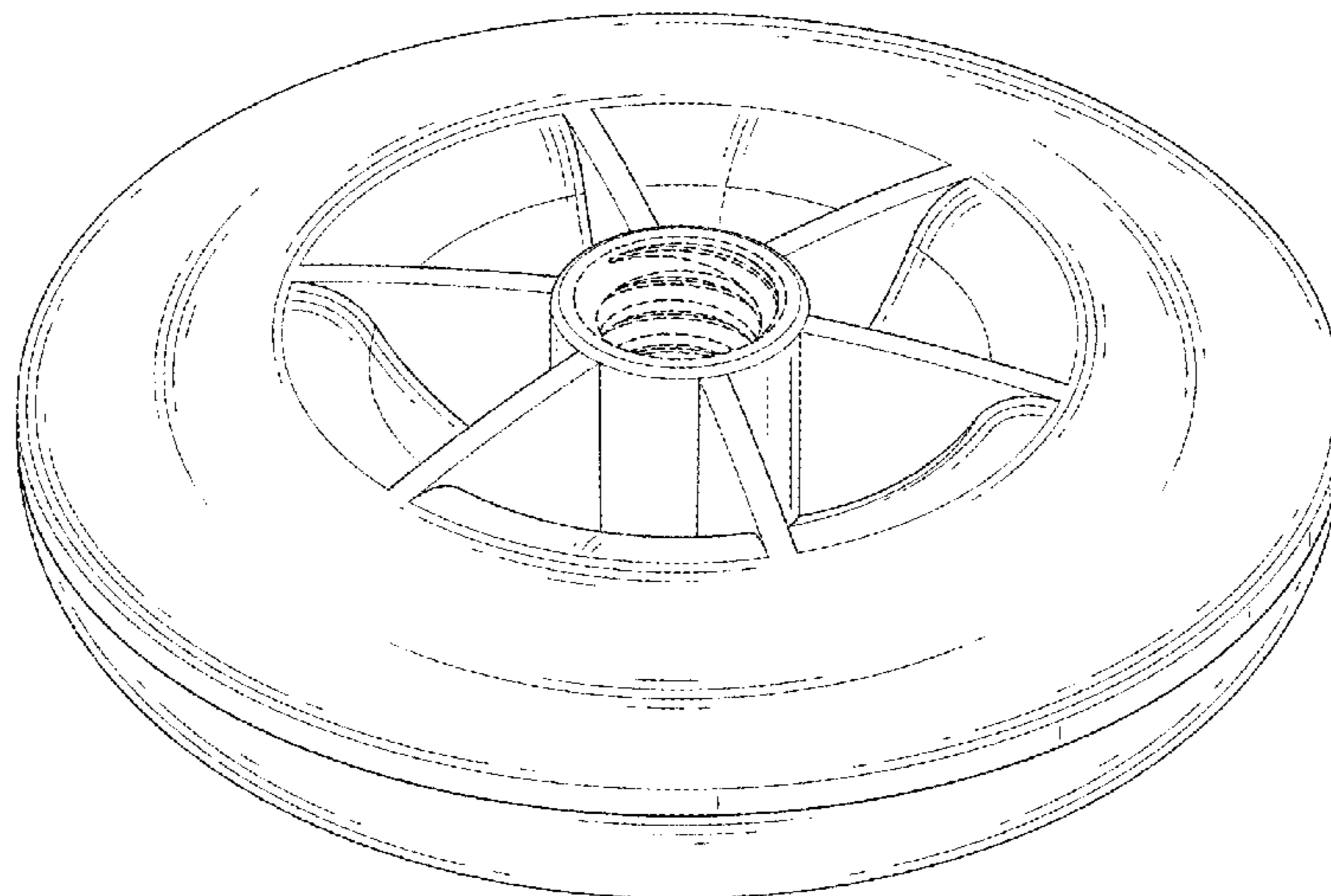
(57) **CLAIM**

The ornamental design for a hand held massager element, as shown and described.

DESCRIPTION

FIG. 1 is a perspective view of a hand held massager element, showing my new design;
FIG. 2 is a front elevational view thereof;
FIG. 3 is a rear elevational view thereof;
FIG. 4 is a left side elevational view thereof;
FIG. 5 is a right side elevational view thereof;
FIG. 6 is a top plan view thereof;
FIG. 7 is a bottom plan view thereof; and,
FIG. 8 is a bottom perspective view thereof.
The broken lines in the drawings are for the purpose of illustrating portions of the hand held massager element, which form no part of the claimed design.

1 Claim, 8 Drawing Sheets



(56)

References Cited

U.S. PATENT DOCUMENTS

D526,029 S * 8/2006 Ragonetti A01K 15/025
 D529,668 S * 10/2006 Wang D30/160
 D559,394 S * 1/2008 Ji D30/160
 D562,415 S * 2/2008 Xu D24/214
 D562,919 S * 2/2008 Hillson D21/680
 D640,439 S * 6/2011 Morris D21/680
 D643,075 S * 8/2011 Childs D34/27
 D678,422 S * 3/2013 Thompson D21/680
 D681,741 S * 5/2013 Lederman D12/325
 D684,224 S * 6/2013 Davies, III D21/437
 D700,668 S * 3/2014 Flick D21/680
 D721,459 S * 1/2015 Smith D12/209
 D722,348 S * 2/2015 Kessler D30/160
 D725,197 S * 3/2015 Thompson D21/680
 D725,713 S * 3/2015 Thompson D21/443
 D725,714 S * 3/2015 Kim D21/443
 D731,006 S * 6/2015 Birt D21/680
 D751,157 S * 3/2016 Irwin D21/680
 D753,351 S * 4/2016 Anderson D30/160
 D787,404 S * 5/2017 Gallert D21/680

D797,636 S * 9/2017 Chung D12/211
 D828,878 S * 9/2018 Sprowl D12/204
 D869,674 S * 12/2019 Cheng D24/214
 D877,259 S * 3/2020 Adkins D21/441
 D881,998 S * 4/2020 Lam D21/455
 D882,888 S * 4/2020 Steinkraus D30/160
 2008/0018167 A1* 1/2008 Fuji B60B 19/003
 2010/0069206 A1* 3/2010 Viselman A63B 21/0602
 2010/0137755 A1* 6/2010 Nagano 482/106
 2011/0014849 A1* 1/2011 Sip A61H 15/00
 601/15
 F16F 15/31
 446/457

OTHER PUBLICATIONS

Amazon, "Pasnity Foot Massager Roller", Feb. 11, 2018. https://www.amazon.com/Pasnity-Massager-Fasciitis-Shoulder-Included/dp/B078VVVZ5NR/ref=cm_cr_arp_d_product_top?ie=UTF8. Shown on p. 1. (Year: 2018).*

* cited by examiner

FIG. 1

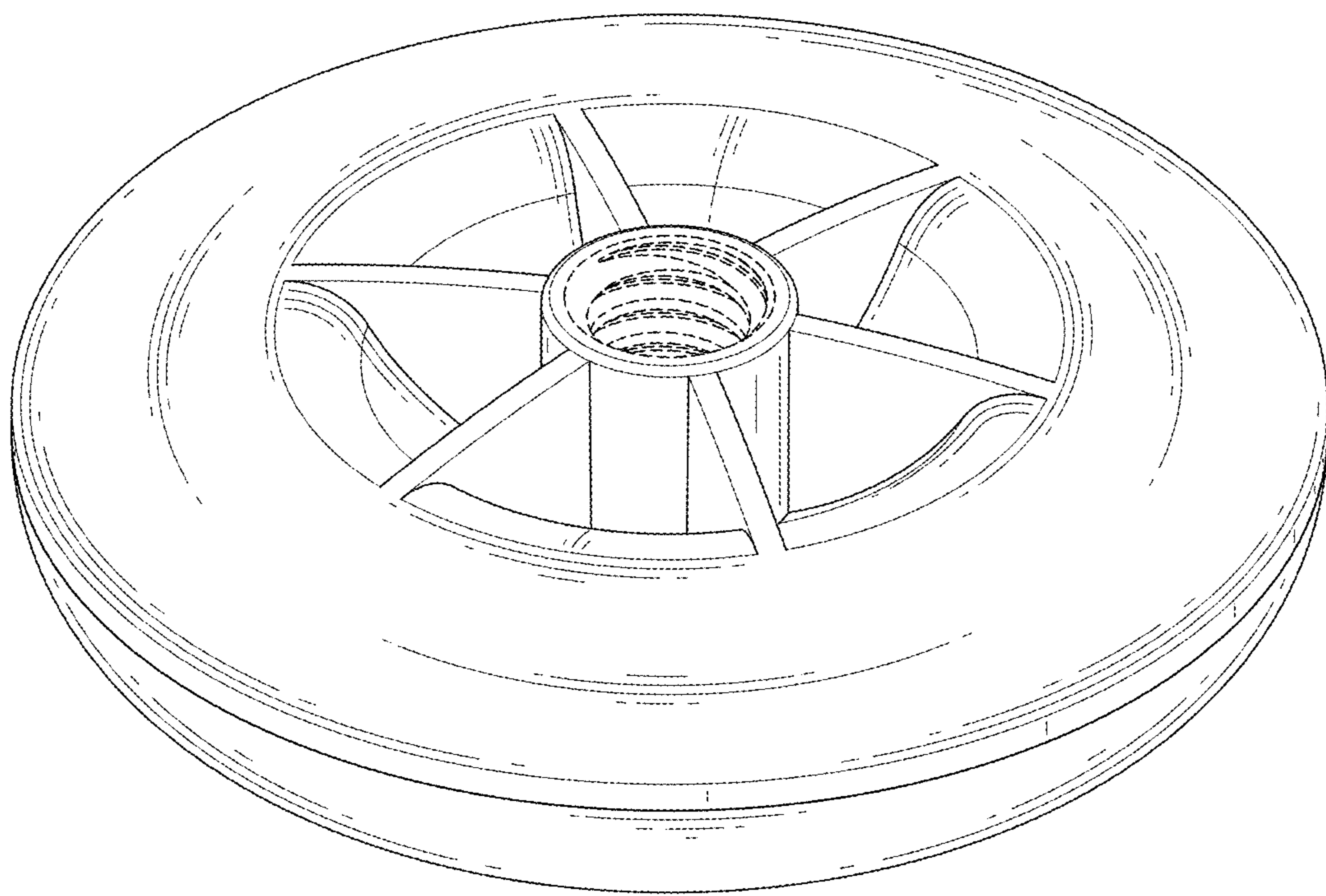


FIG. 2

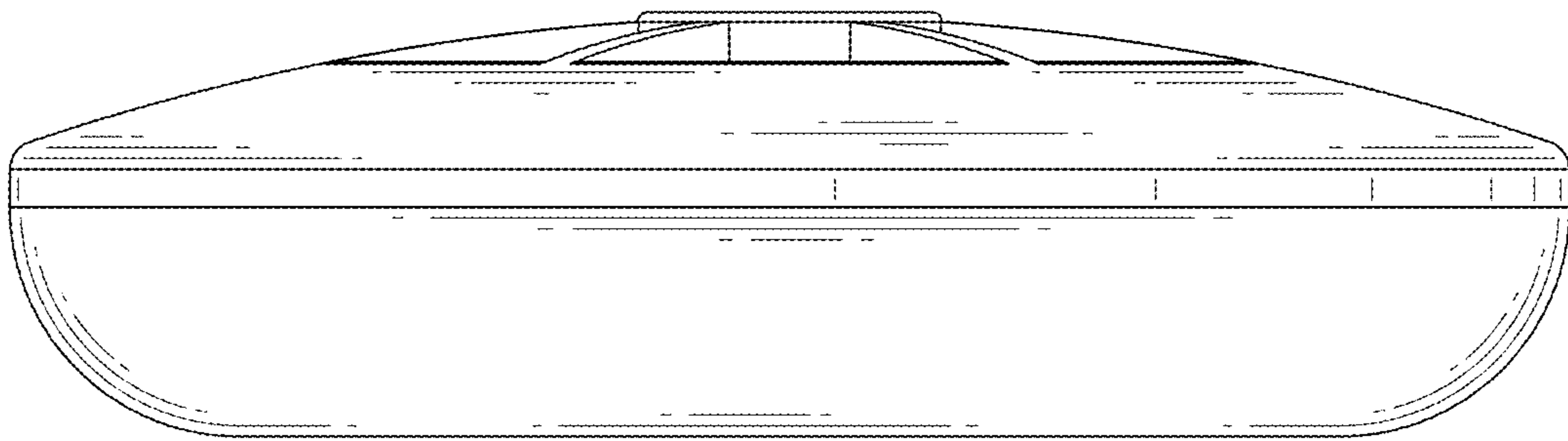


FIG. 3

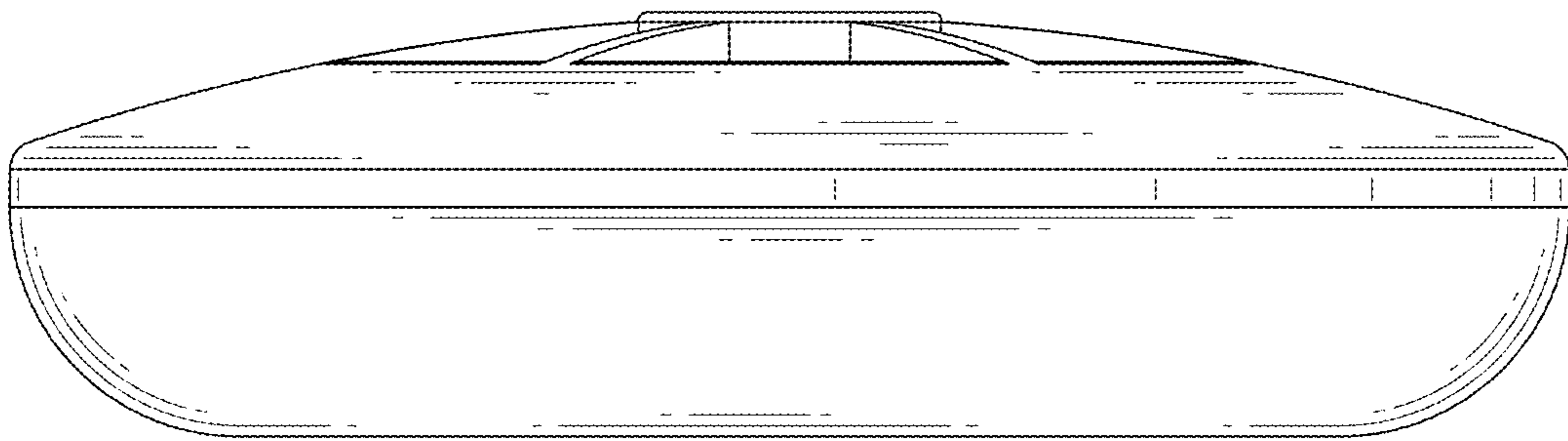


FIG. 4

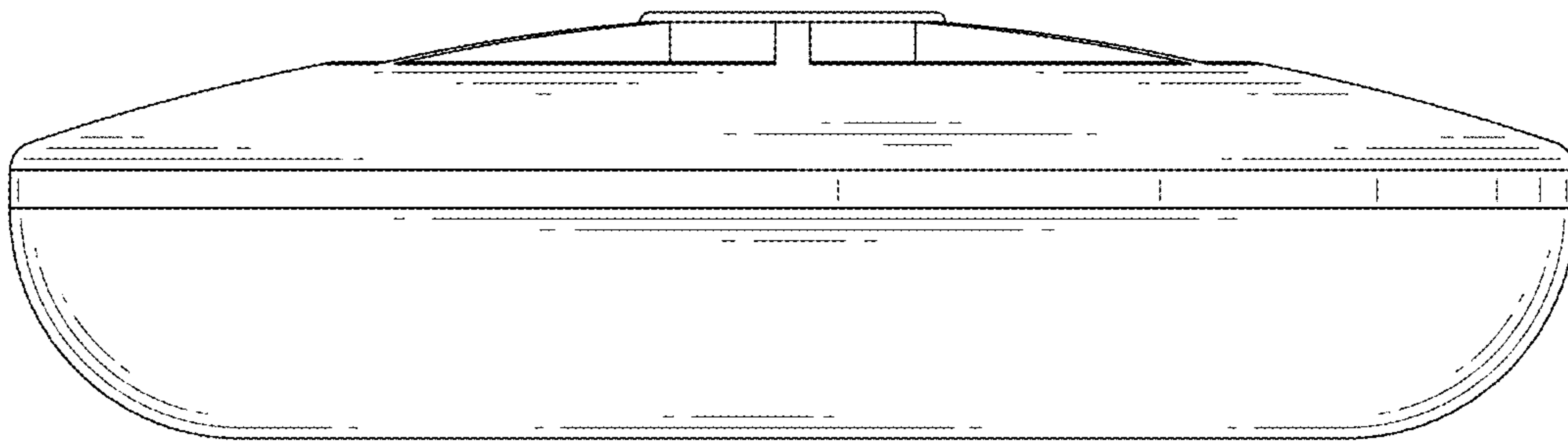


FIG. 5

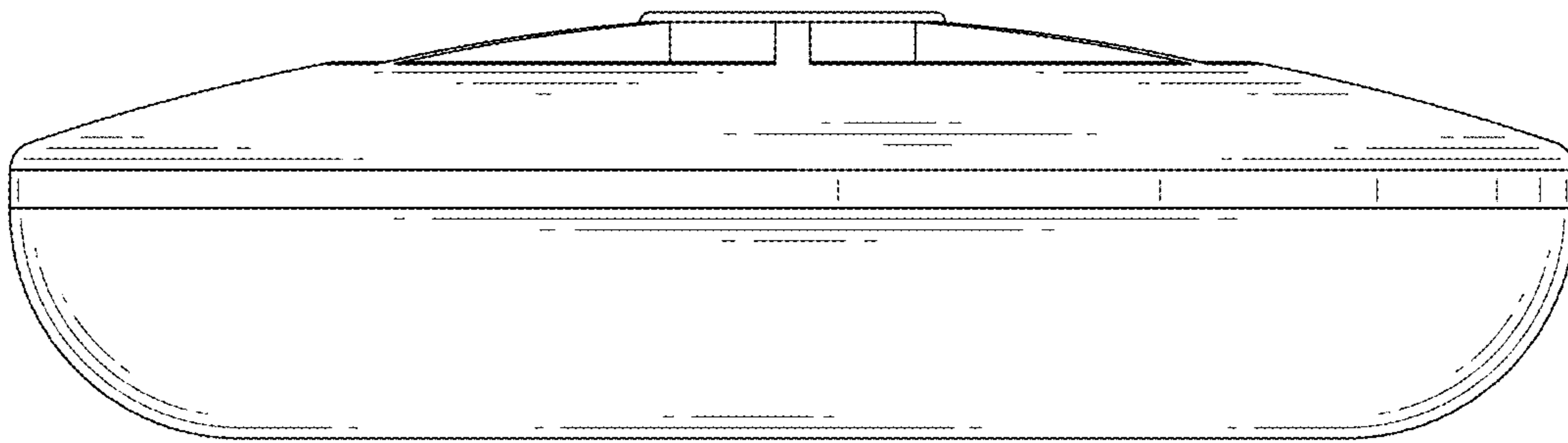


FIG. 6

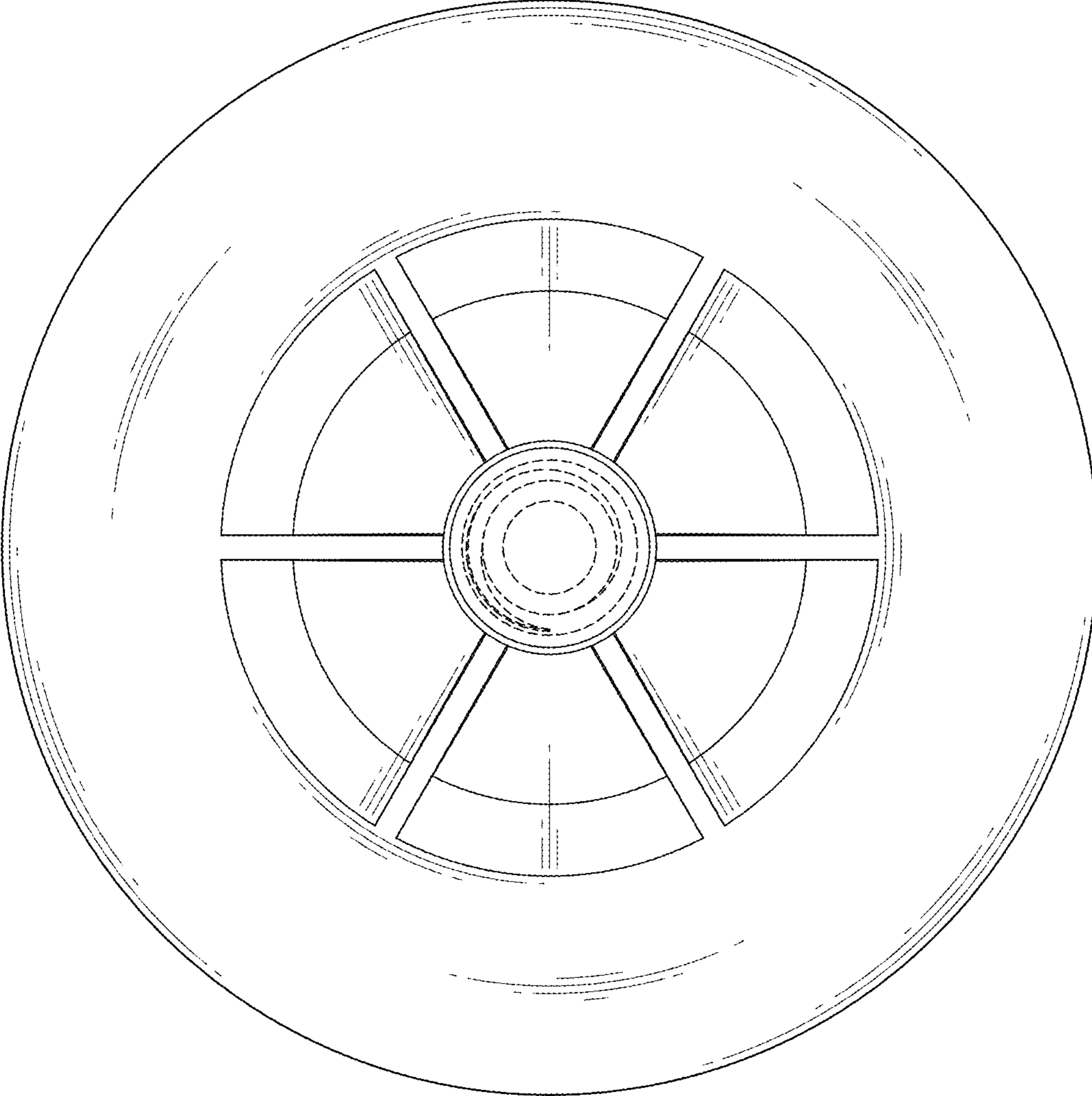


FIG. 7

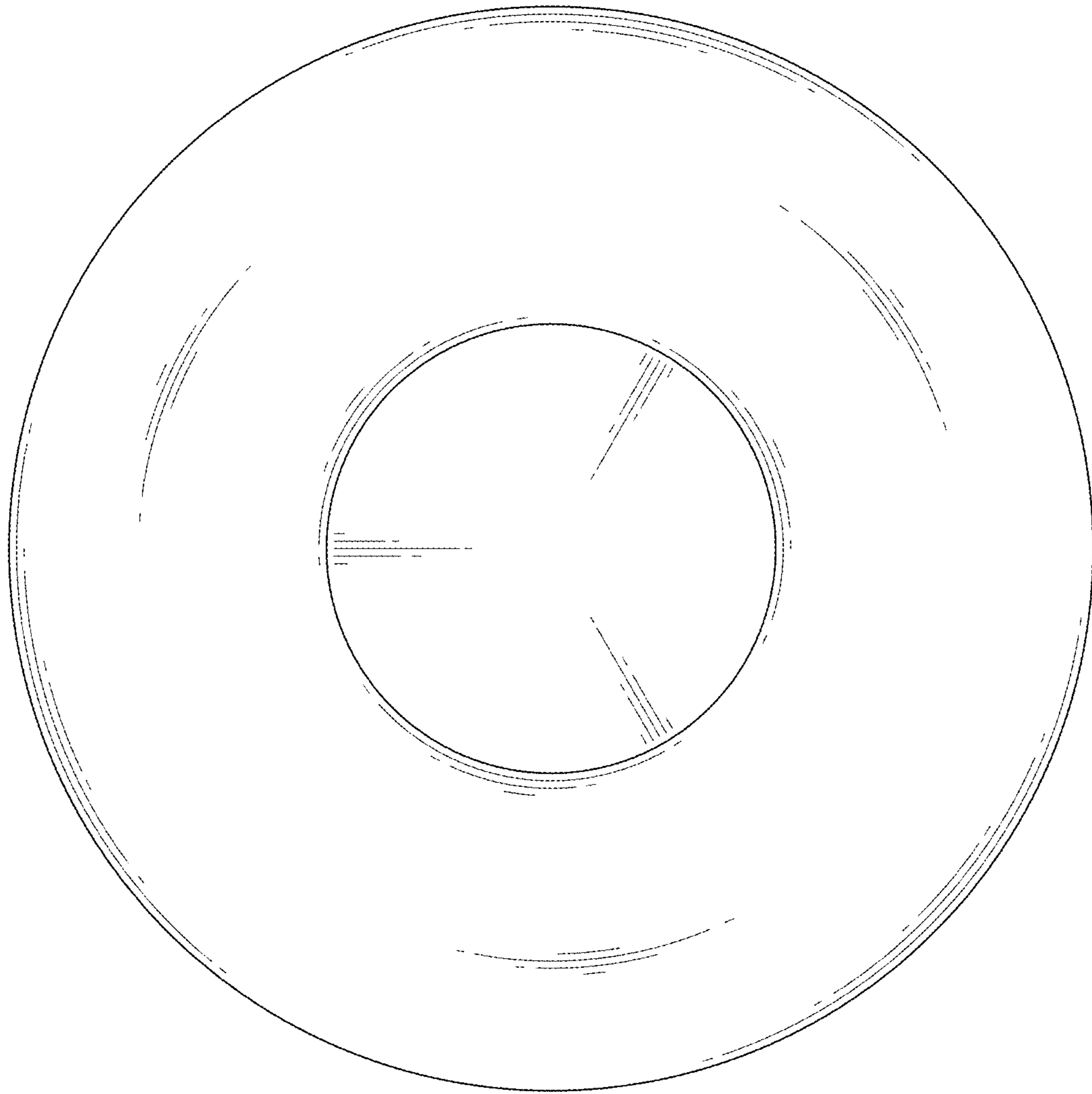


FIG. 8

