



US00D899612S

(12) **United States Design Patent** (10) **Patent No.:** **US D899,612 S**  
**Harmon** (45) **Date of Patent:** **\*\* \*Oct. 20, 2020**

- (54) **LAMP WITH STAND**
- (71) Applicant: **Verilux, Inc.**, Waitsfield, VT (US)
- (72) Inventor: **Nicholas Harmon**, Waitsfield, VT (US)
- (73) Assignee: **Bear Down Brands, LLC**, Huntington Beach, CA (US)

D748,271 S *	1/2016	Clowry	.....	D24/186
D760,398 S *	6/2016	Douglas	.....	D24/210
D760,913 S *	7/2016	Douglas	.....	D24/210
D788,047 S *	5/2017	Fremuth	.....	D13/162
D791,140 S *	7/2017	Nuk	.....	D14/447
D807,522 S *	1/2018	Berke	.....	D24/210
D835,291 S *	12/2018	Lei	.....	D24/209
D844,791 S *	4/2019	Henderson	.....	D24/186
D857,220 S *	8/2019	Chew	.....	D24/210

(\* ) Notice: This patent is subject to a terminal disclaimer.

(\*\* ) Term: **15 Years**

(21) Appl. No.: **29/667,757**

(22) Filed: **Oct. 24, 2018**

(51) **LOC (12) Cl.** ..... **24-01**

(52) **U.S. Cl.**  
USPC ..... **D24/210**

(58) **Field of Classification Search**  
USPC ..... D24/107, 186, 158, 231, 200, 209, 210;  
D26/29, 37, 39, 63, 104; D28/9, 44.1;  
D14/341, 138 R, 138 AA, 138 G  
CPC ..... A61N 5/0616; A61N 5/0618; A61N  
2005/0652; A61N 2005/0654; A61N  
2005/0642; A61N 2005/0627; A61N  
2005/0644; A61N 2005/0636; A61N  
2005/0626; A61B 2018/00452; A61B  
2018/1807

See application file for complete search history.

(56) **References Cited**

**U.S. PATENT DOCUMENTS**

D466,115 S *	11/2002	Hawkins	.....	D14/341
D558,460 S *	1/2008	Yu	.....	D14/341
D601,262 S *	9/2009	Okawa	.....	D24/176
D653,348 S *	1/2012	Barker	.....	D24/186
D695,410 S *	12/2013	Becker	.....	D14/371
D704,851 S *	5/2014	Douglas	.....	D24/209
D741,497 S *	10/2015	Aber	.....	D24/167
D745,167 S *	12/2015	Canas	.....	D10/78

**OTHER PUBLICATIONS**

HappyLight Therapy Lamps & Boxes, posted at verilux.com, retrieved Dec. 4, 2019, no posting date, online, URL: <https://verilux.com/collections/happylight-therapy-lamps-boxes> (Year: 2019).\*

\* cited by examiner

*Primary Examiner* — Lilyana Bekic

*Assistant Examiner* — Mary Shannon Malley

(74) *Attorney, Agent, or Firm* — Lowenstein Sandler LLP

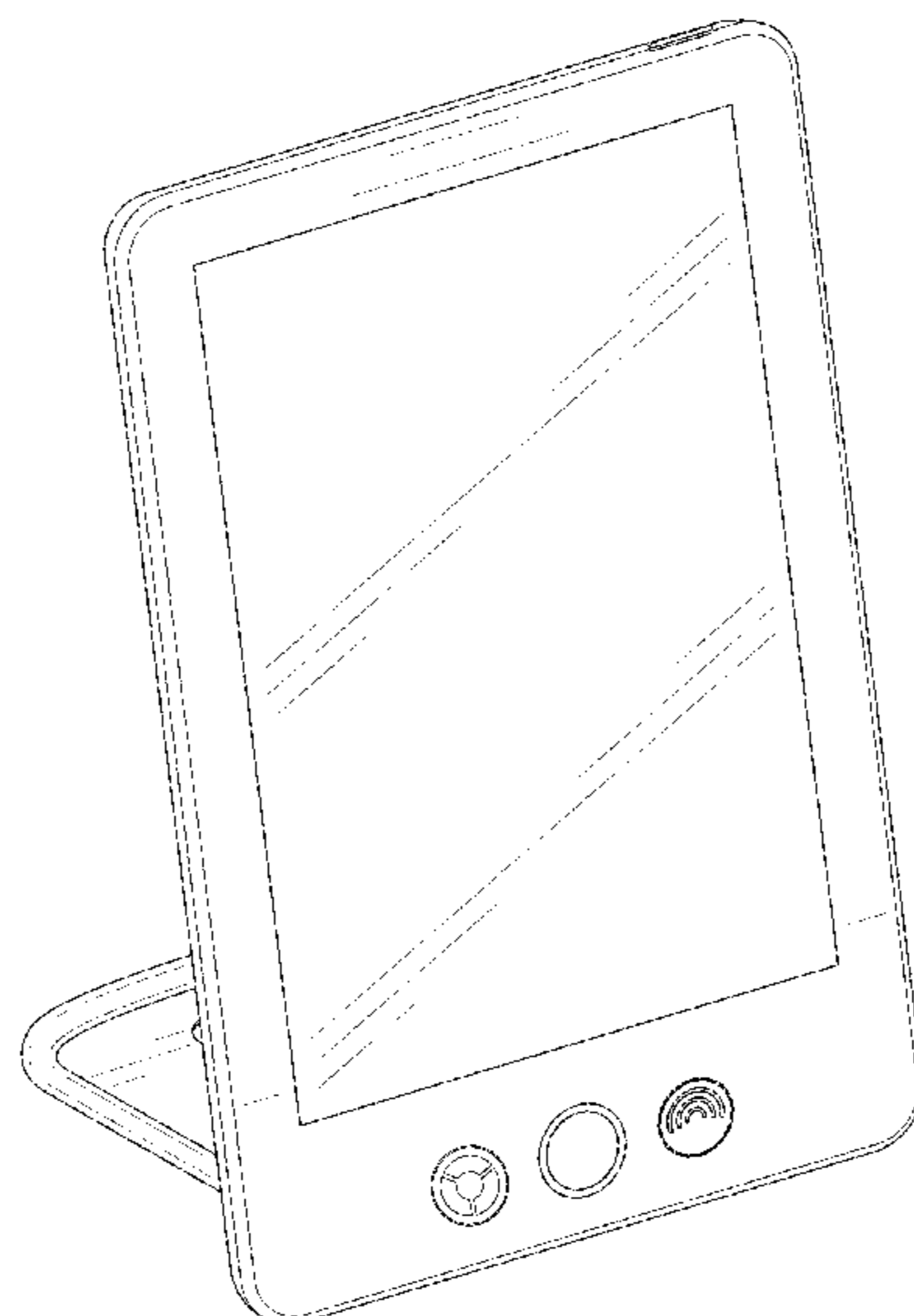
(57) **CLAIM**

The ornamental design for a lamp with stand, as shown and described.

**DESCRIPTION**

FIG. 1 is a perspective view of a lamp with stand in accordance with the new design;  
FIG. 2 is a back perspective view thereof;  
FIG. 3 is a front view thereof;  
FIG. 4 is a back view thereof;  
FIG. 5 is a side view thereof;  
FIG. 6 is a side view thereof;  
FIG. 7 is a top view thereof;  
FIG. 8 is a bottom view thereof;  
FIG. 9 is a back perspective view thereof, with the stand shown in an alternate position; and,  
FIG. 10 is a back view thereof, with the stand shown in an alternate position.

**1 Claim, 9 Drawing Sheets**



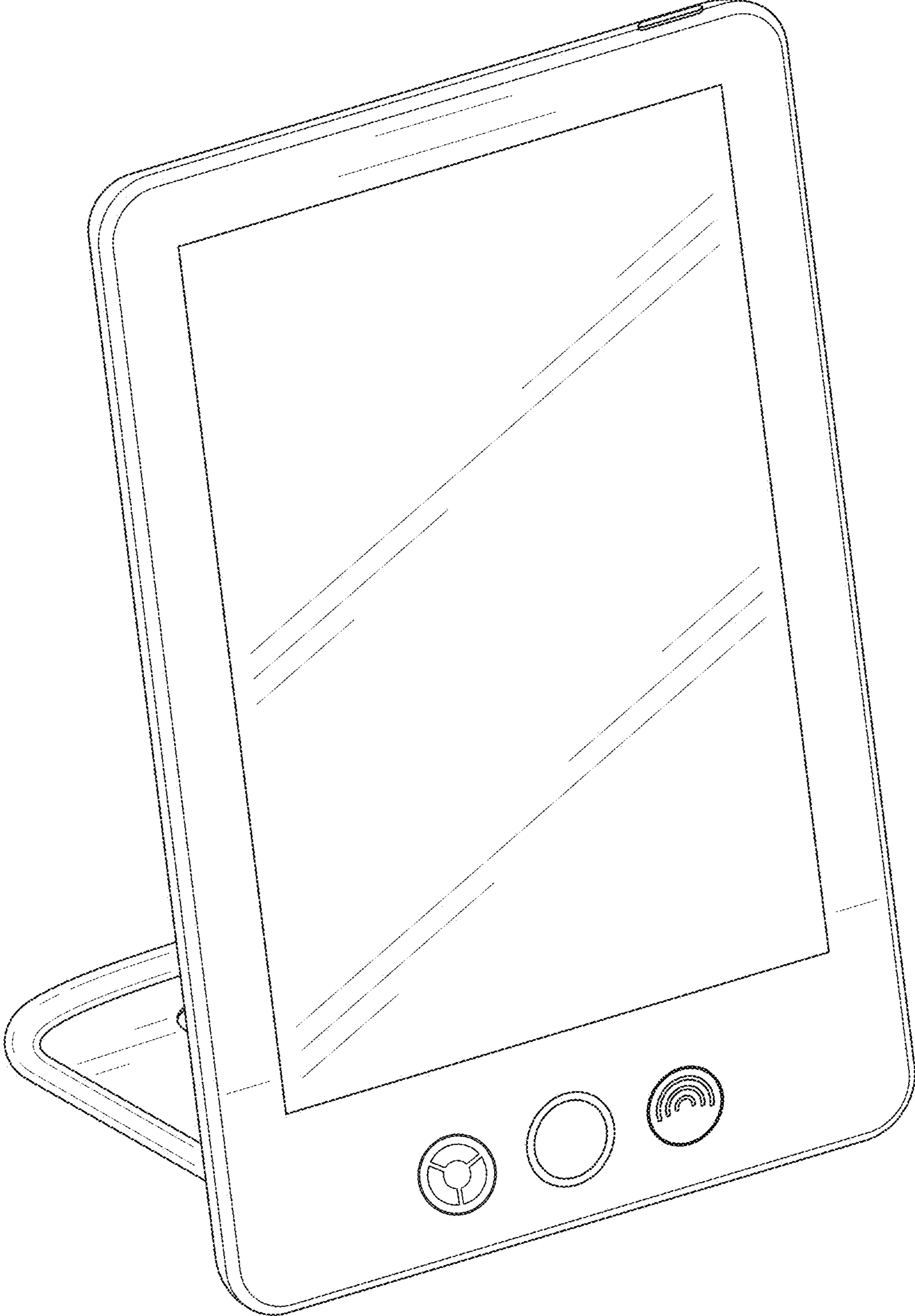


FIG. 1

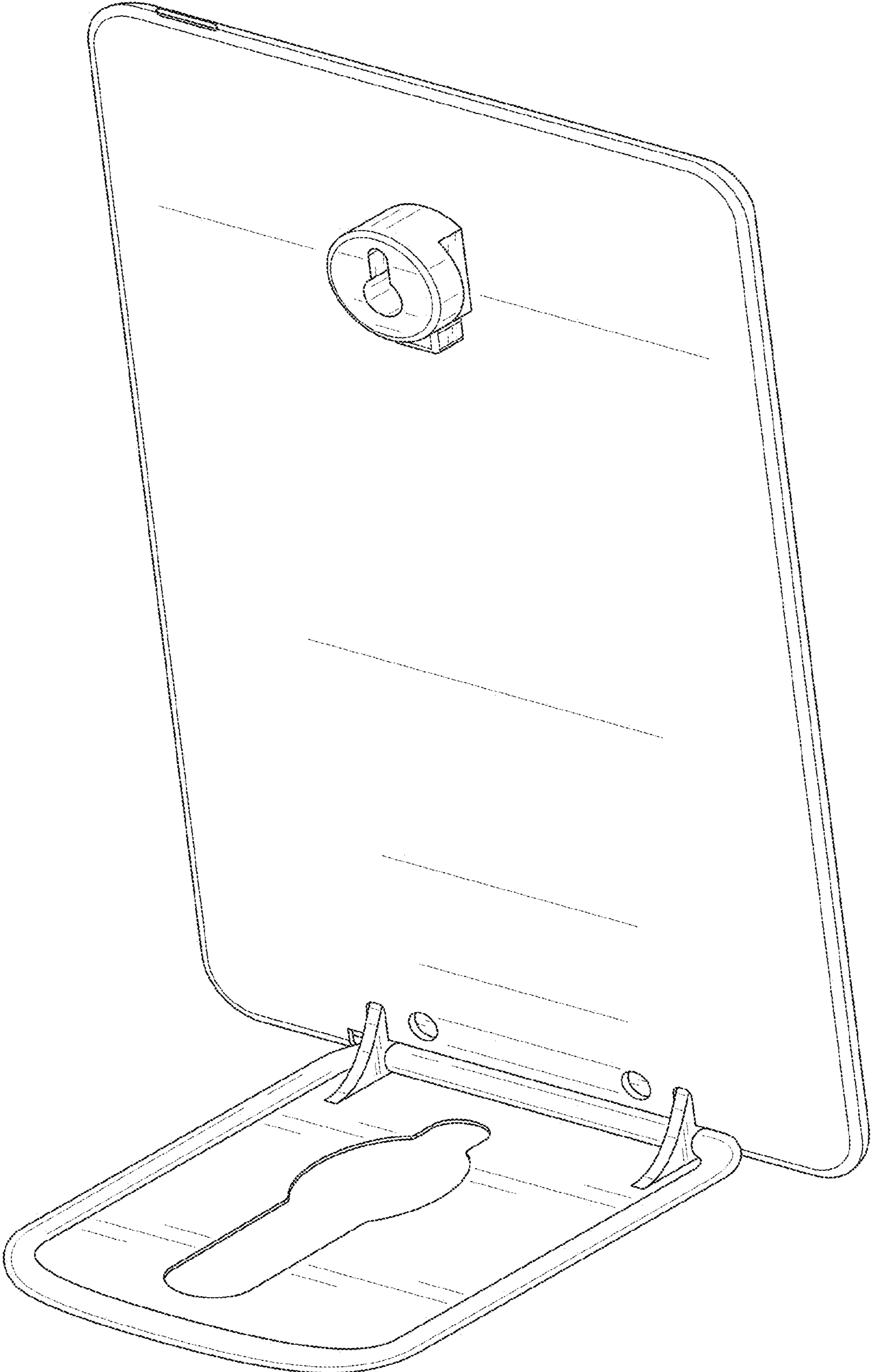


FIG. 2

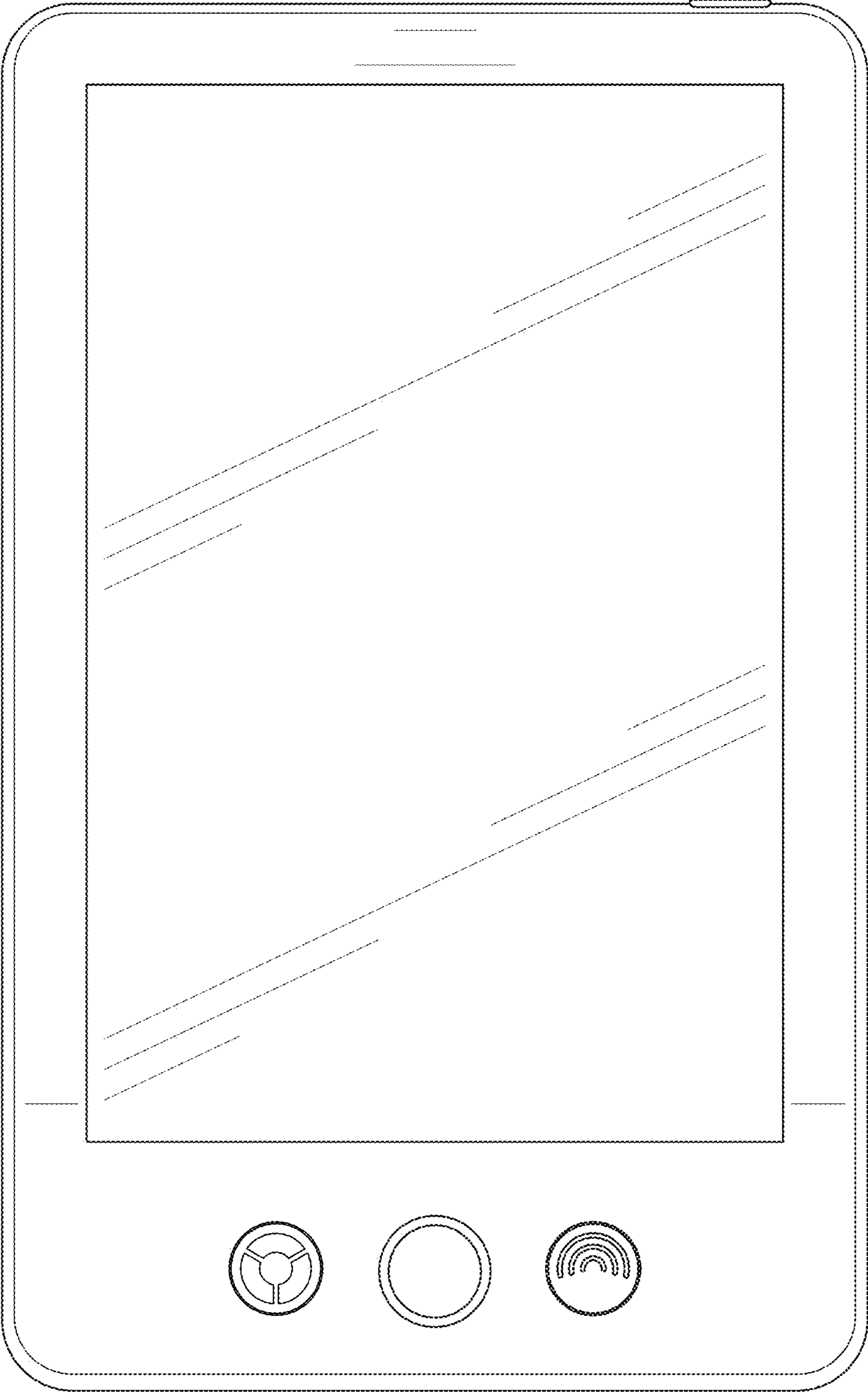


FIG. 3

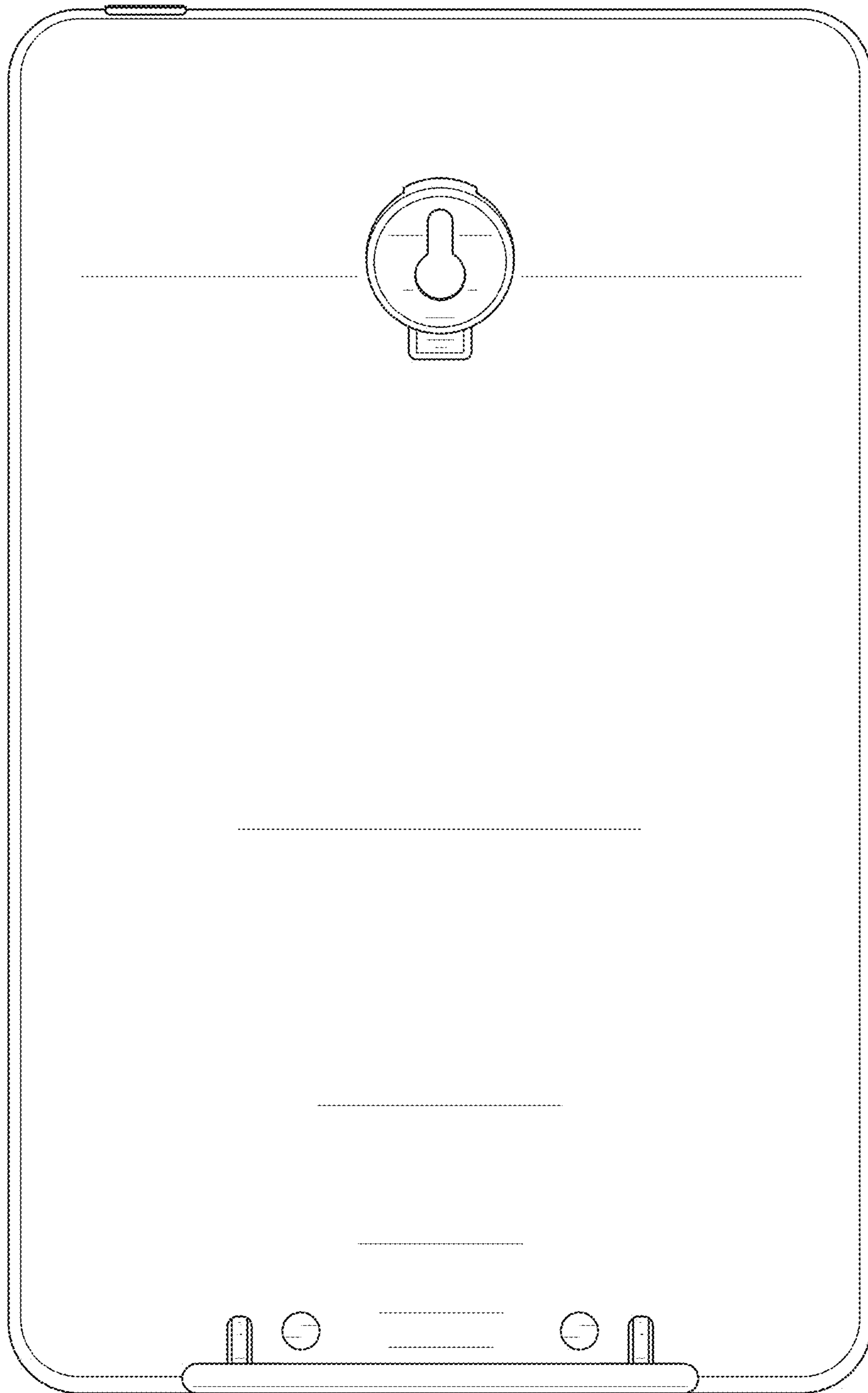


FIG. 4



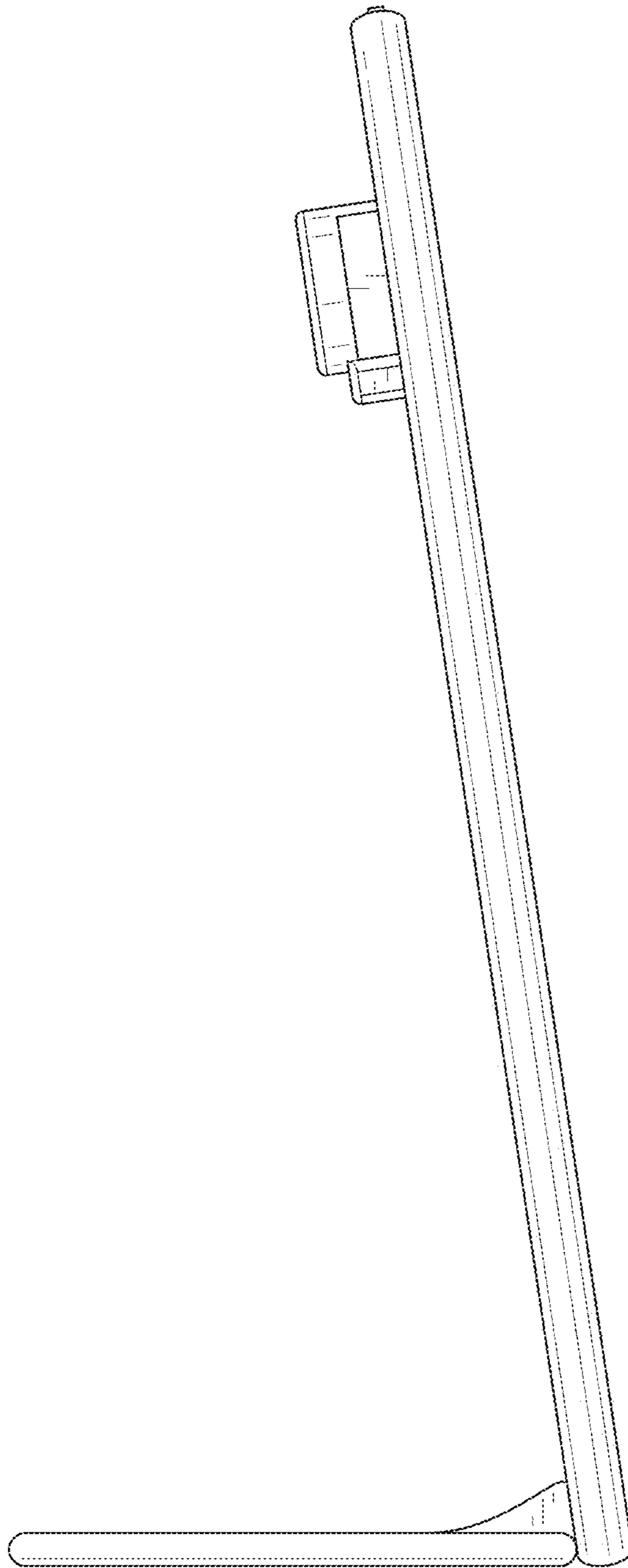


FIG. 5

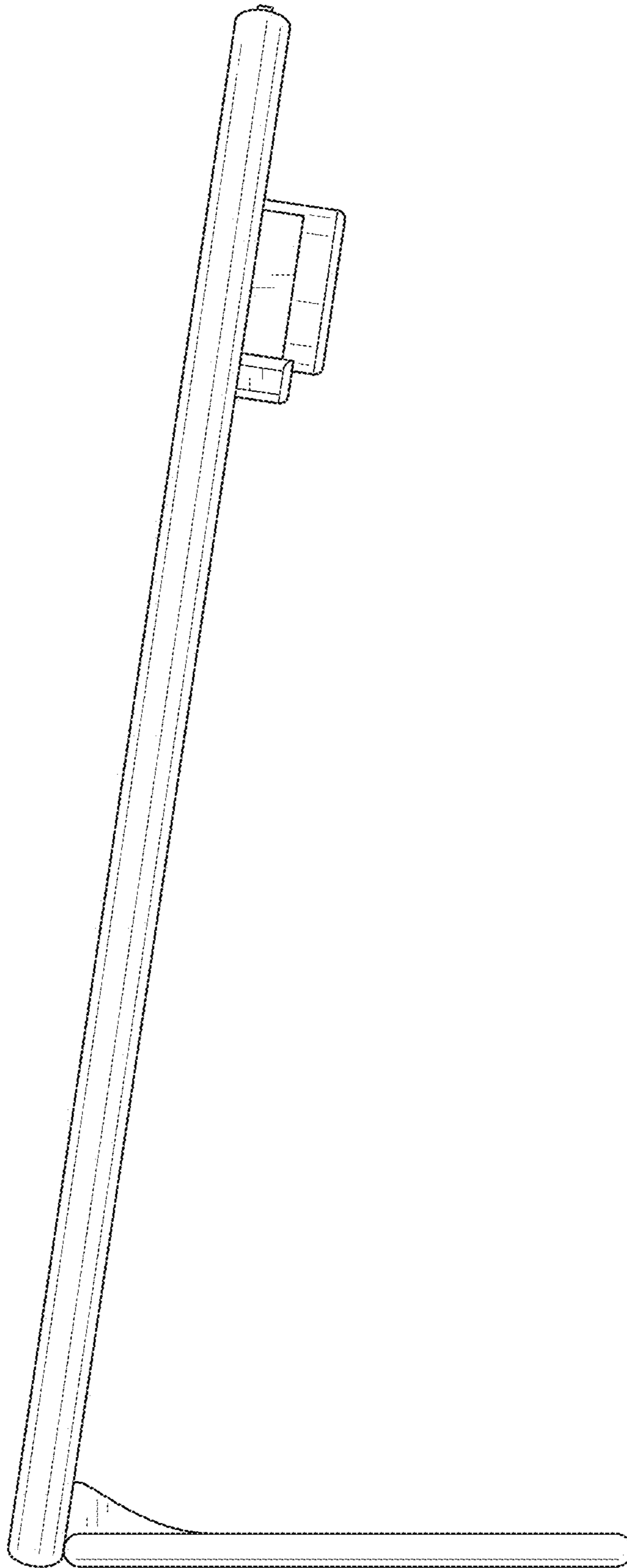


FIG. 6

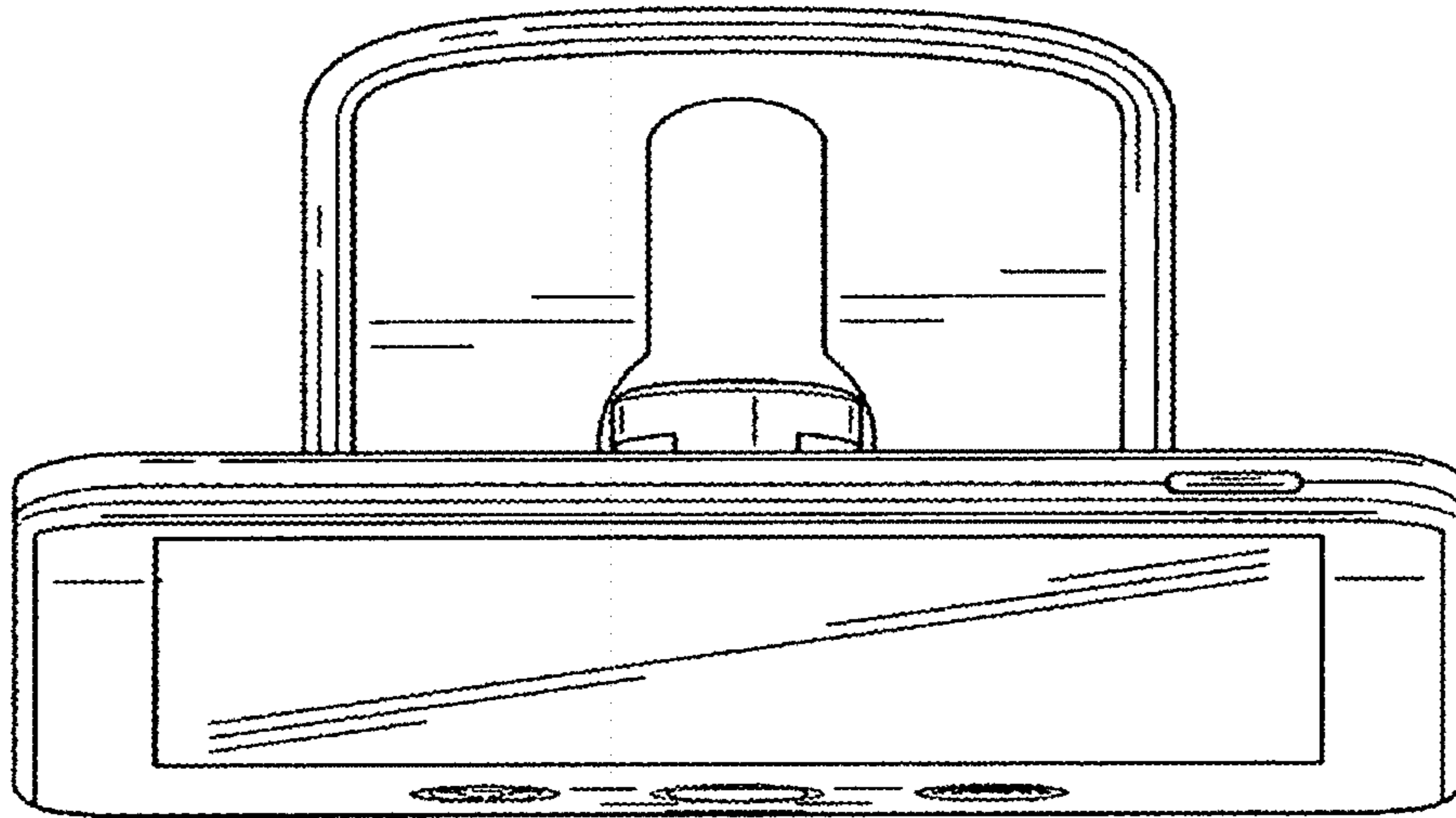


FIG. 7

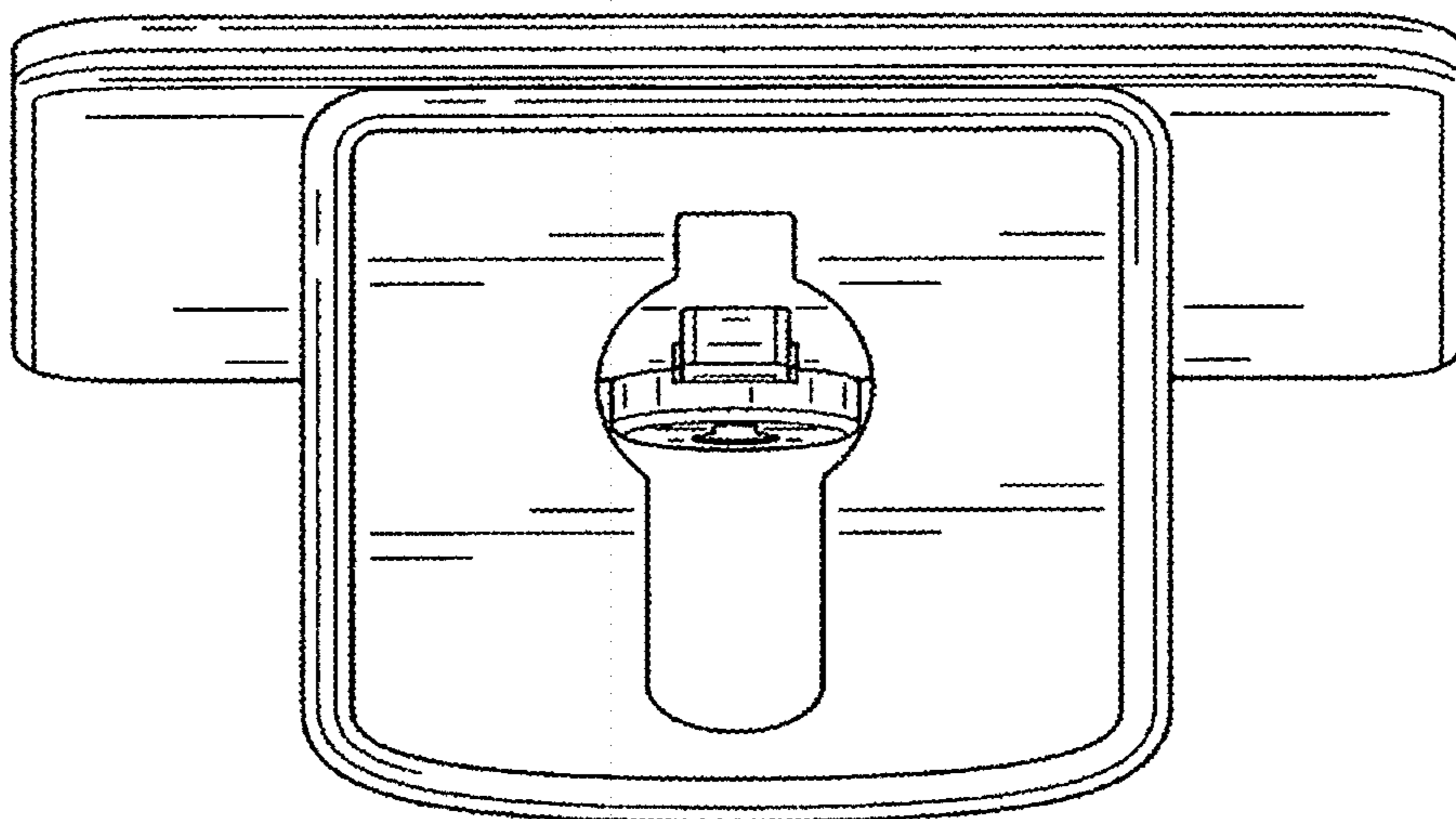


FIG. 8



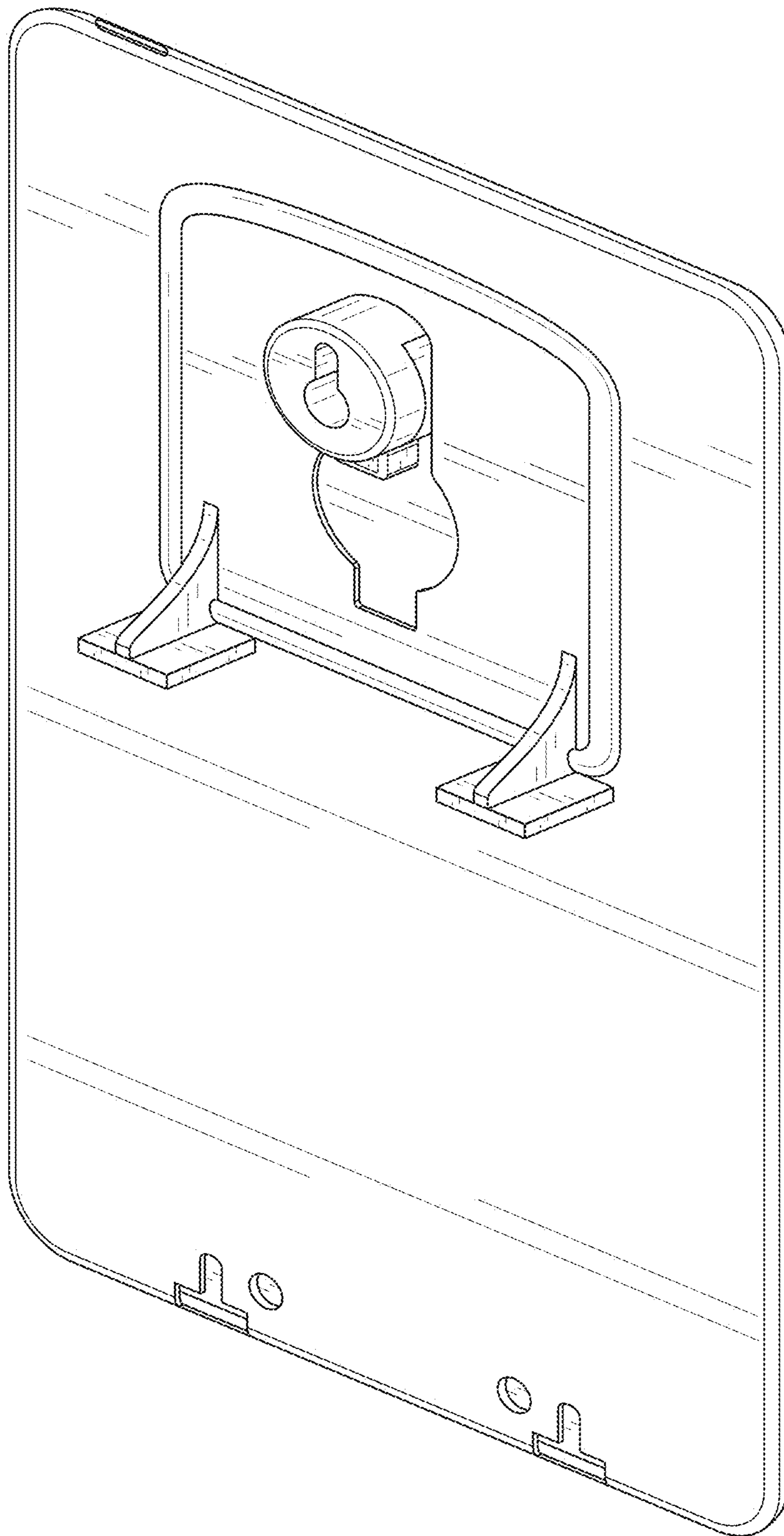


FIG. 9

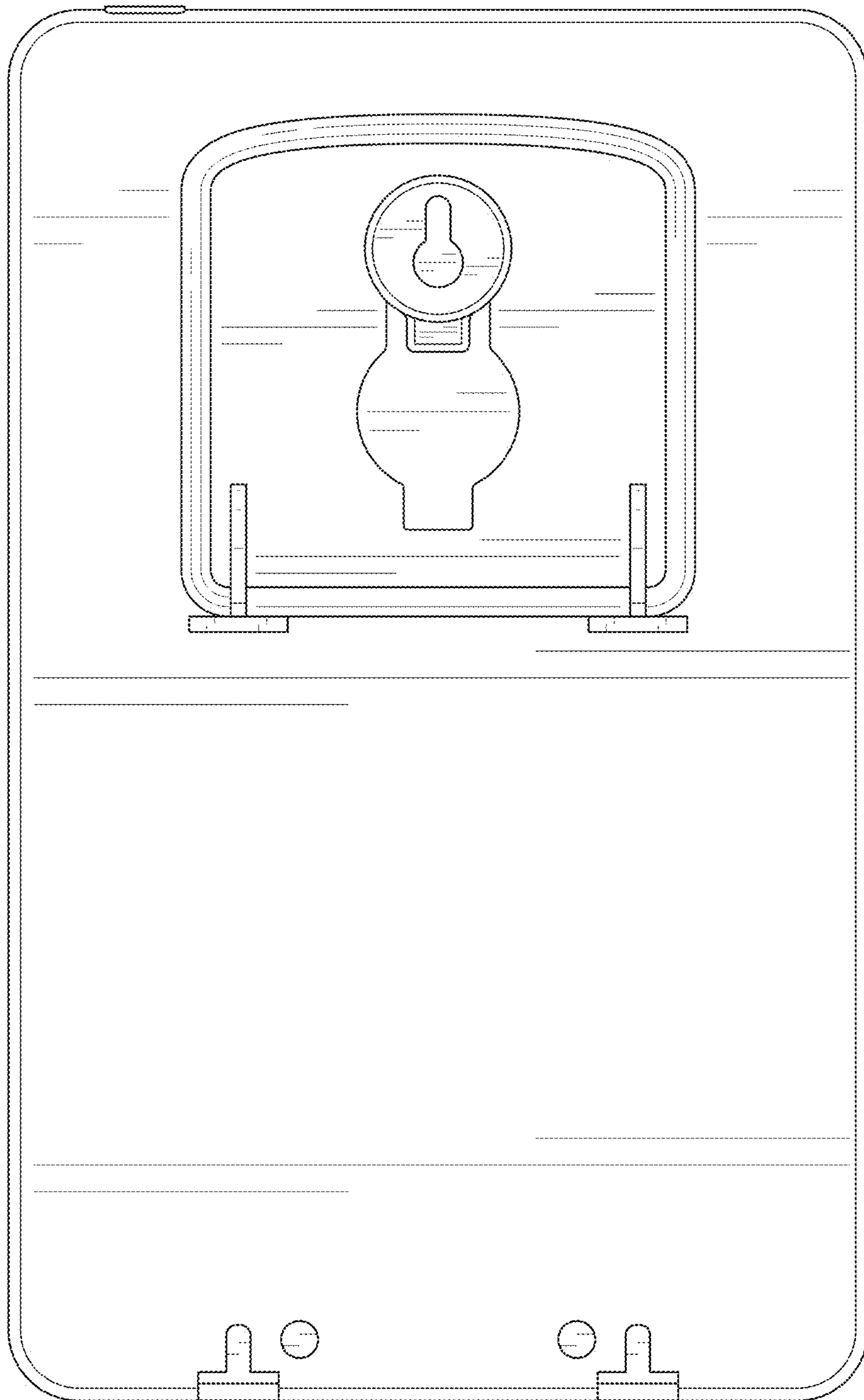


FIG. 10