



US00D899609S

(12) **United States Design Patent** (10) **Patent No.:** **US D899,609 S**
Reynolds (45) **Date of Patent:** **** Oct. 20, 2020**

- (54) **PACIFIER BALL**
- (71) Applicant: **Anna H. Reynolds**, Fort Mill, SC (US)
- (72) Inventor: **Anna H. Reynolds**, Fort Mill, SC (US)
- (**) Term: **15 Years**
- (21) Appl. No.: **29/679,783**
- (22) Filed: **Feb. 9, 2019**
- (51) **LOC (12) Cl.** **24-04**
- (52) **U.S. Cl.**
USPC **D24/194**
- (58) **Field of Classification Search**
USPC D24/193, 194, 195, 115, 117, 214;
D1/101, 104, 106, 107, 199; D21/576,
D21/584, 606, 607; D3/293, 301;
D30/160
CPC A61J 17/001; A61J 17/00
See application file for complete search history.

(56) **References Cited**

U.S. PATENT DOCUMENTS

1,268,470	A	6/1918	Johnson	
3,601,129	A	8/1971	Seidl	
D336,520	S *	6/1993	McDaniel	D24/194
5,297,981	A *	3/1994	Maxim	A63H 33/005 446/437
D359,094	S *	6/1995	Brovelli	D21/466
5,843,128	A	12/1998	Wexler	
D410,747	S *	6/1999	Wexler	D24/194
6,063,107	A	5/2000	Wexler	
D430,300	S *	8/2000	Anthony, Jr.	D24/194
6,436,125	B1	8/2002	Rhoads	
D646,792	S *	10/2011	Pope	D24/194
D764,673	S	8/2016	Guan	
9,744,104	B1	8/2017	Weston et al.	
D822,294	S *	7/2018	Holcomb	D30/160
D836,785	S *	12/2018	Zhang	D24/194
D881,481	S *	4/2020	Baker	D30/160
2005/0251211	A1	11/2005	Knifong	
2010/0179593	A1	7/2010	Lamar	
2015/0083052	A1 *	3/2015	Glaser	A01K 15/026 119/709

2016/0184186	A1 *	6/2016	Montini	A61J 17/001 606/235
2019/0240116	A1 *	8/2019	Reynolds	A61J 17/105
2020/0022880	A1 *	1/2020	Hall	A61J 17/001

OTHER PUBLICATIONS

“Infantino: Sensory Textured Multi-Ball”. Found online Mar. 12, 2020 at amazon.co.uk. Reference dated Oct. 12, 2016. Retrieved from https://www.amazon.co.uk/...&pd_rd_wg=aAdes&pf_rd_p=148e7d82-d2eb-4f39-97f3-14c199ca7ce5&pf_rd_r=EDNT5Q7E465638AEGSVP&refRID=EDNT5Q7E465638AEGSVP&th=1.*

“Effortly: Baby Music Shake Dancing Ball Toy”. Found online Mar. 12, 2020 at amazon.co.uk. Reference dated May 13, 2018. Retrieved from https://www.amazon.co.uk/Effortly-Dancing-Bouncing-Sensory-Developmental/dp/B07K9DC8B2/ref=sr_1_7?keywords=music+ball&qid=1584054439&sr=8-7.*

“TopTop: Infant Teether Rattle Ball”. Found online Apr. 20, 2020 at amazon.co.uk. Reference dated Sep. 20, 2017. Retrieved from https://www.amazon.co.uk/...ant-Teether-Generation-Roundness-Soother/dp/B075S1P BMC/ref=sr_1_19?dchild=1&keywords=ball&qid=1587161480&rnid=60032031&s=baby&sr=1-19.*

* cited by examiner

Primary Examiner — Kendra Leslie Hamilton

(74) *Attorney, Agent, or Firm* — Memminger E. Wiggins

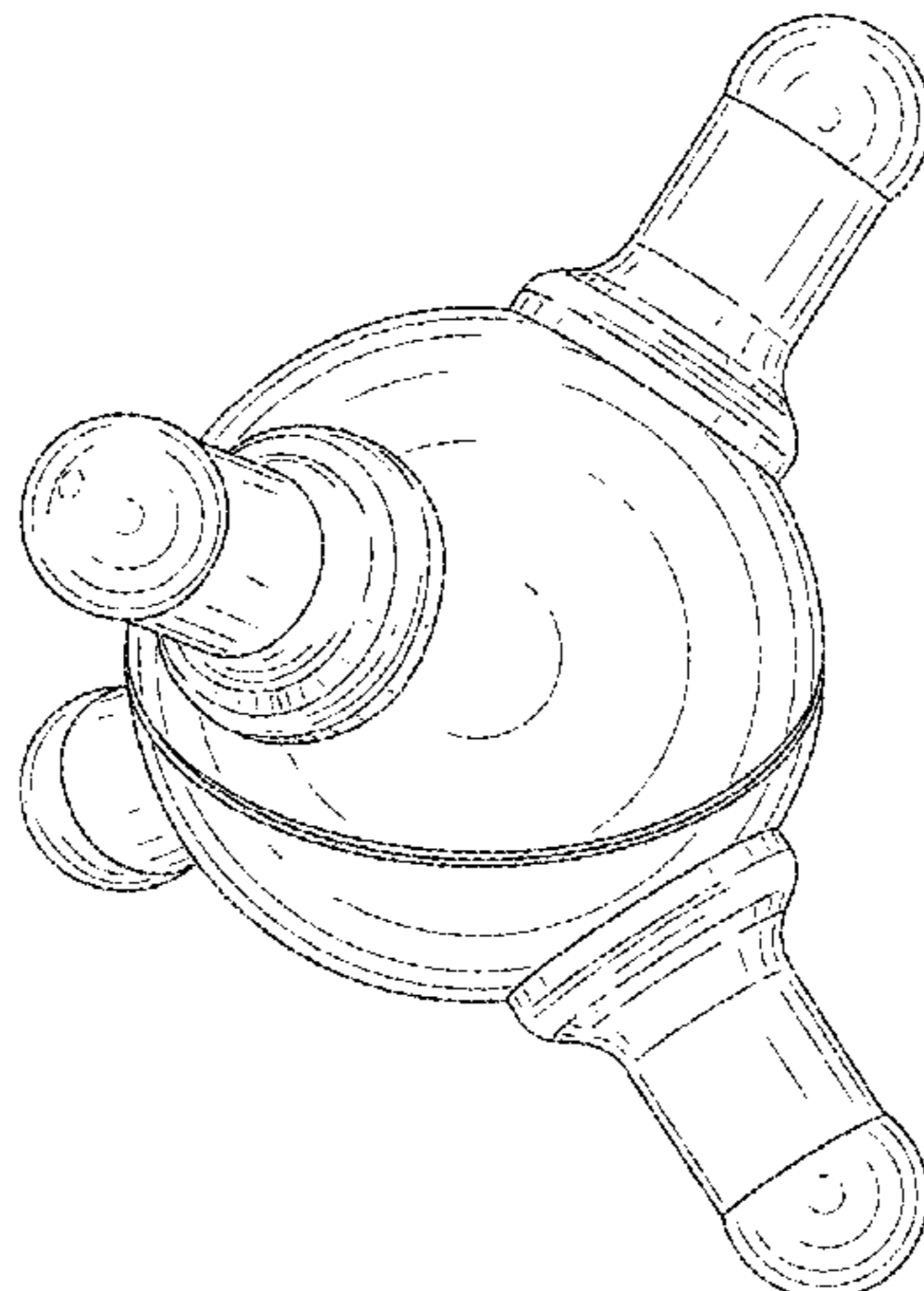
(57) **CLAIM**

The ornamental design for a pacifier ball, as shown and described.

DESCRIPTION

FIG. 1 is a top, front, left perspective view of a pacifier ball showing my new design;
 FIG. 2 is a front elevation view thereof, the rear elevation view thereof being a mirror image;
 FIG. 3 is a left elevation side view thereof, the right side elevation view thereof being a mirror image;
 FIG. 4 is a top plan view thereof; and,
 FIG. 5 is a bottom plan view thereof.

(Continued)



The broken lines depict portions of the pacifier ball that form no part of the claimed design.

1 Claim, 3 Drawing Sheets

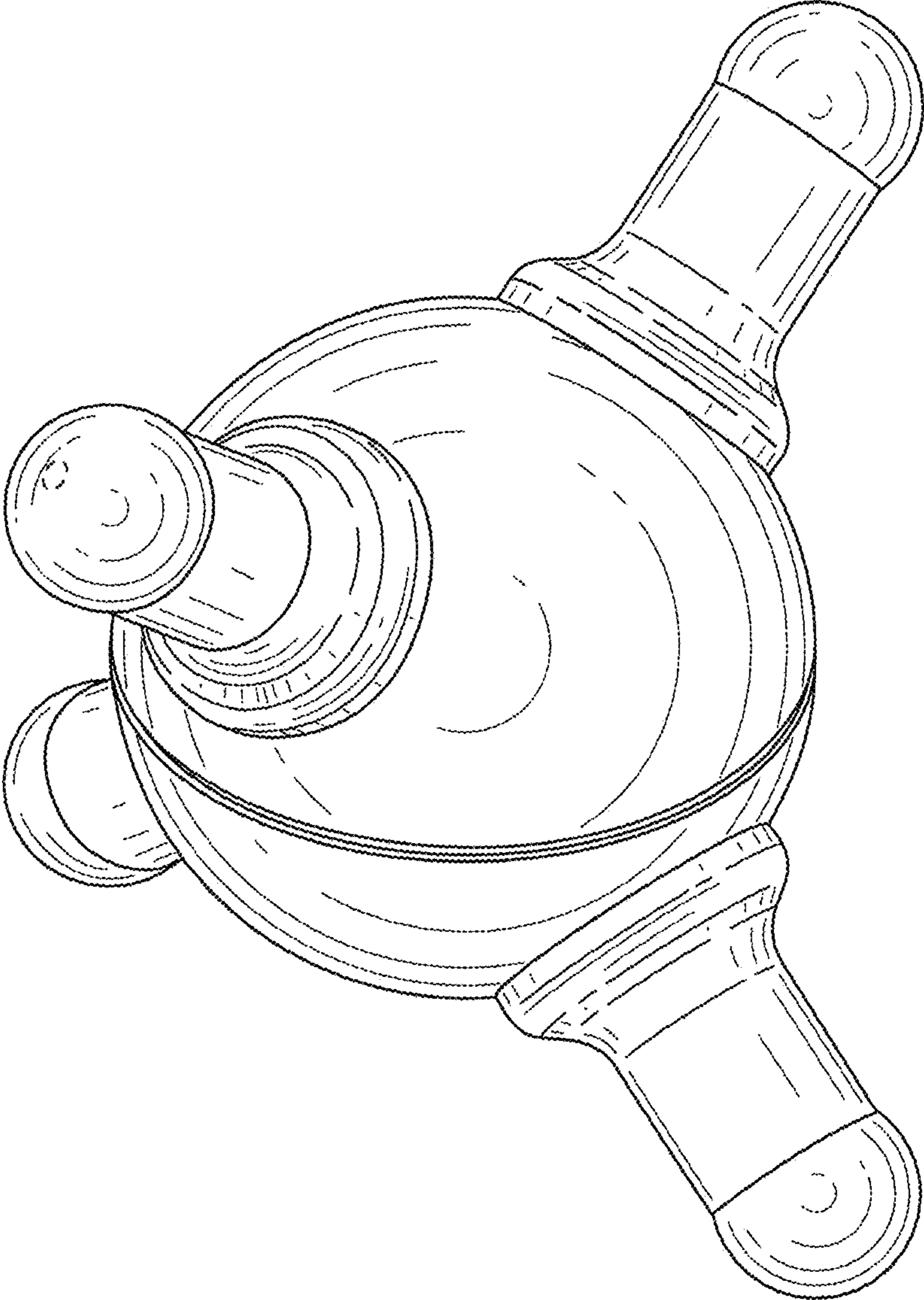


FIG. 1

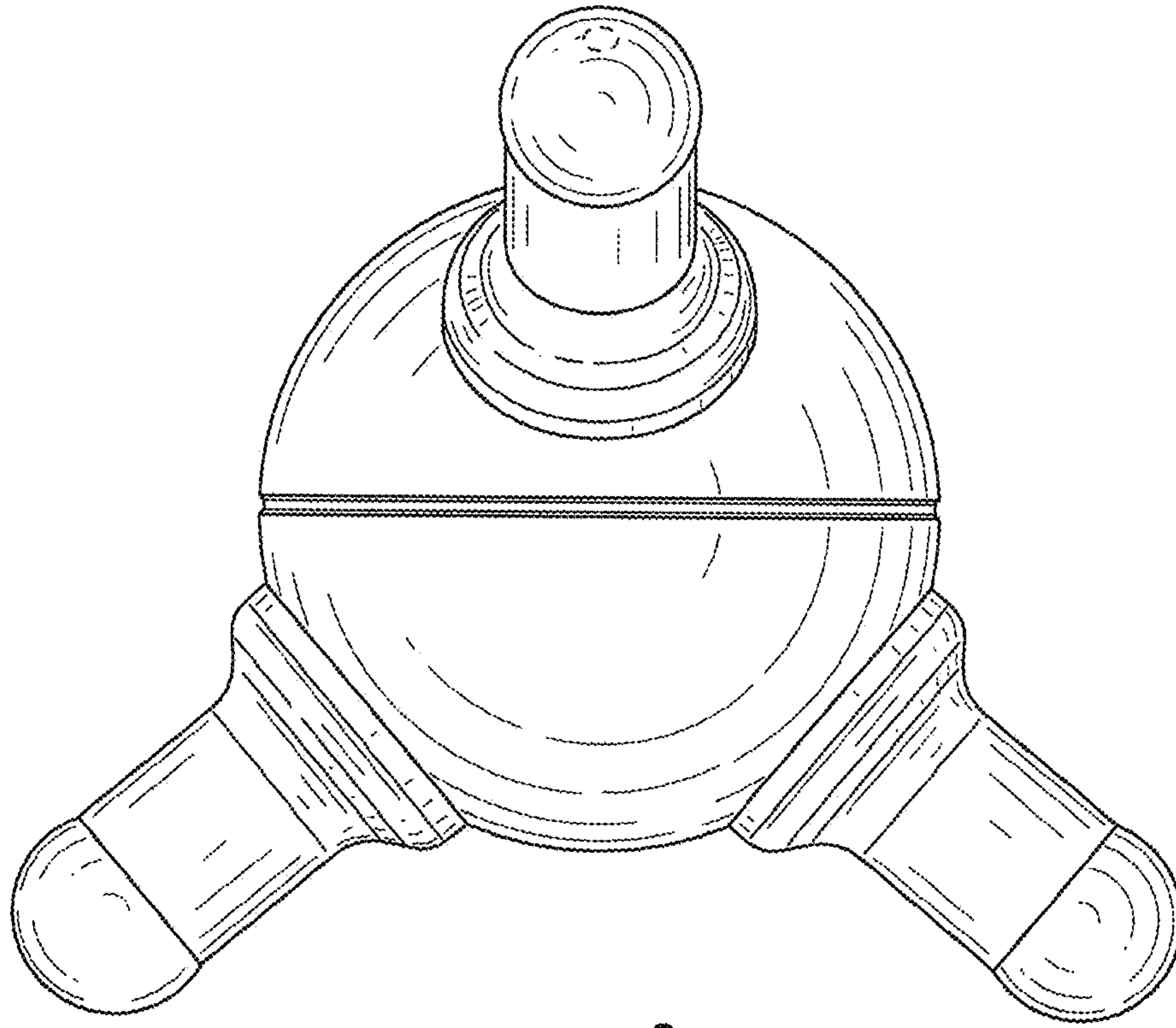


FIG. 2

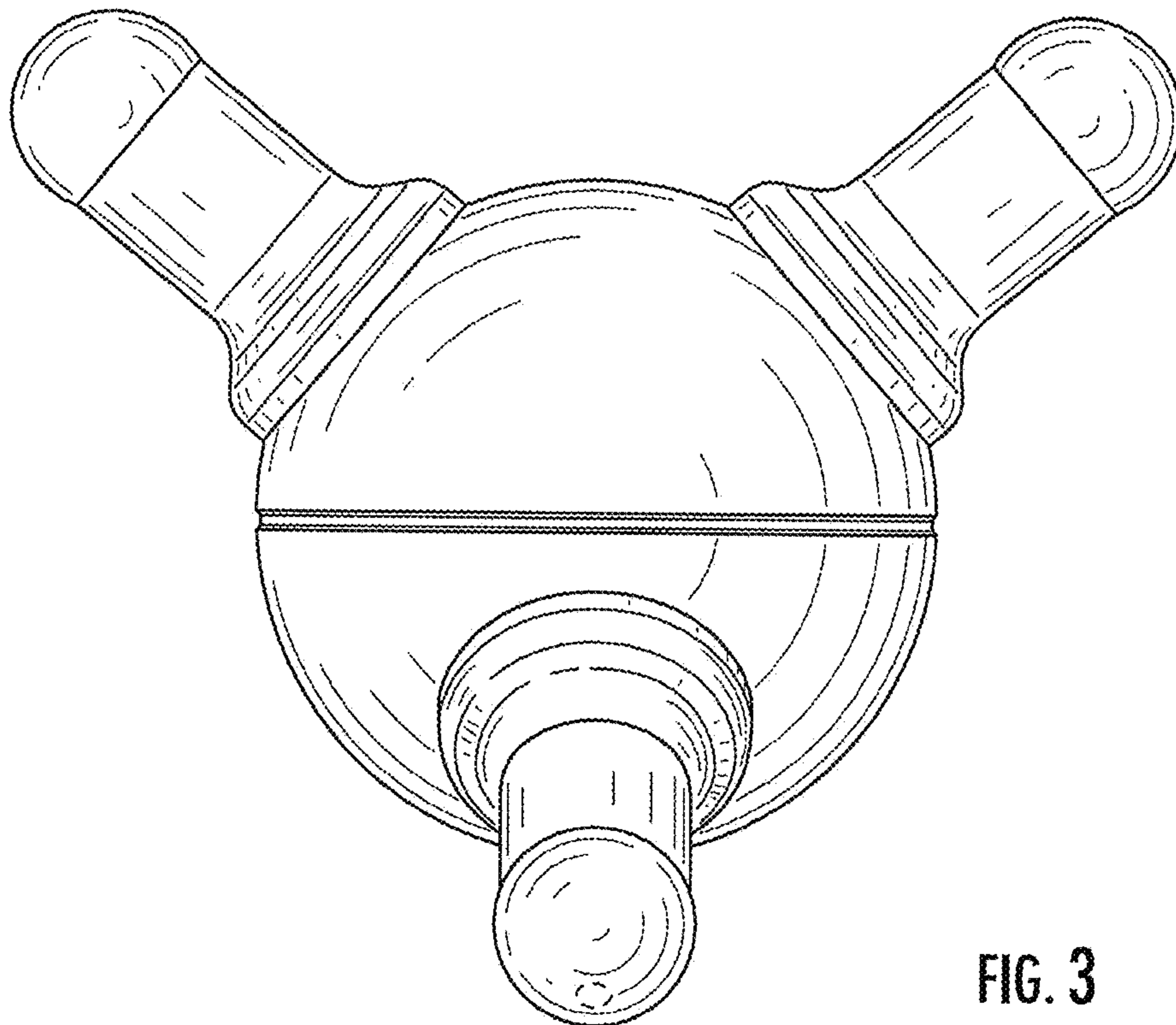


FIG. 3

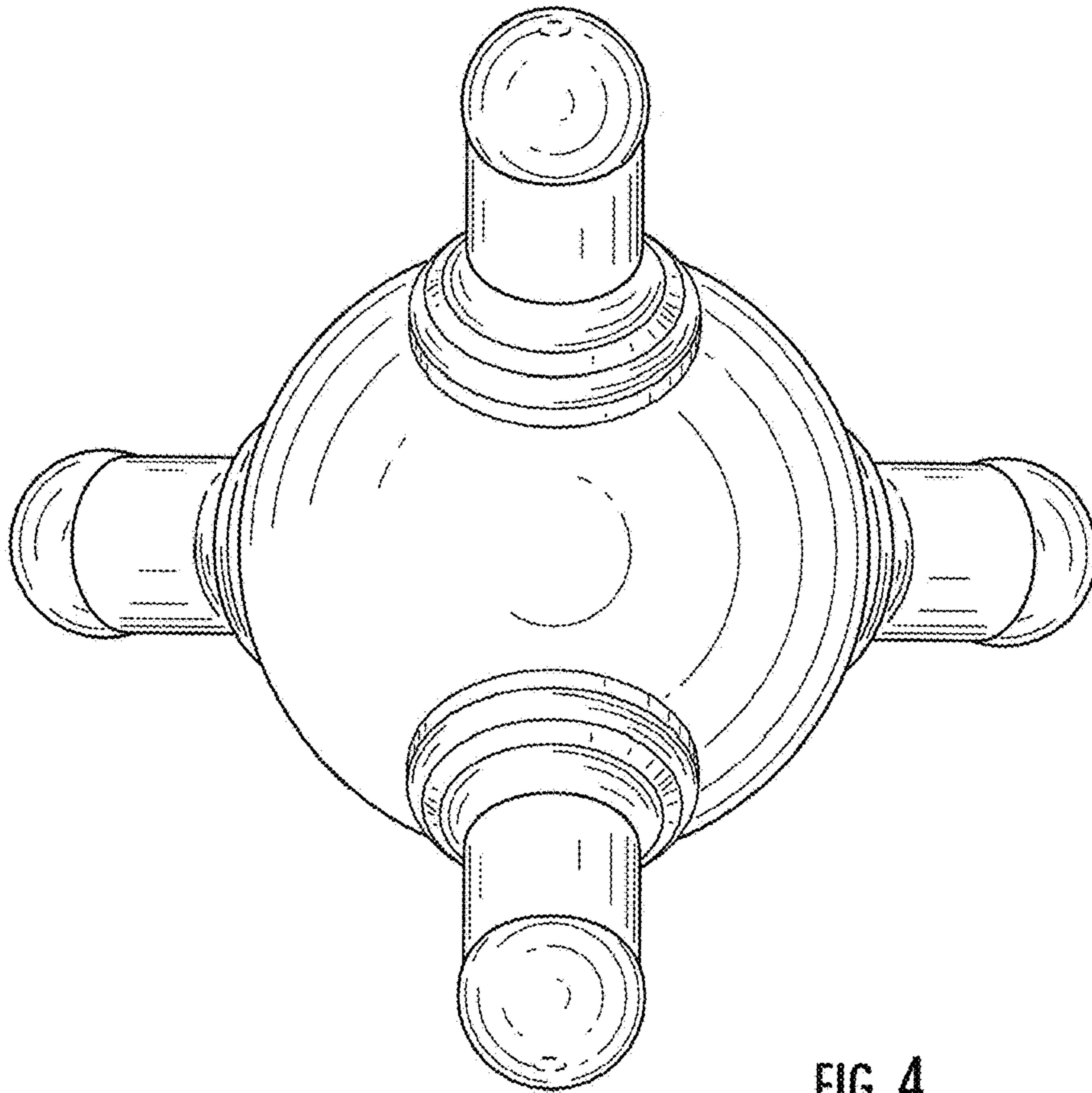


FIG. 4

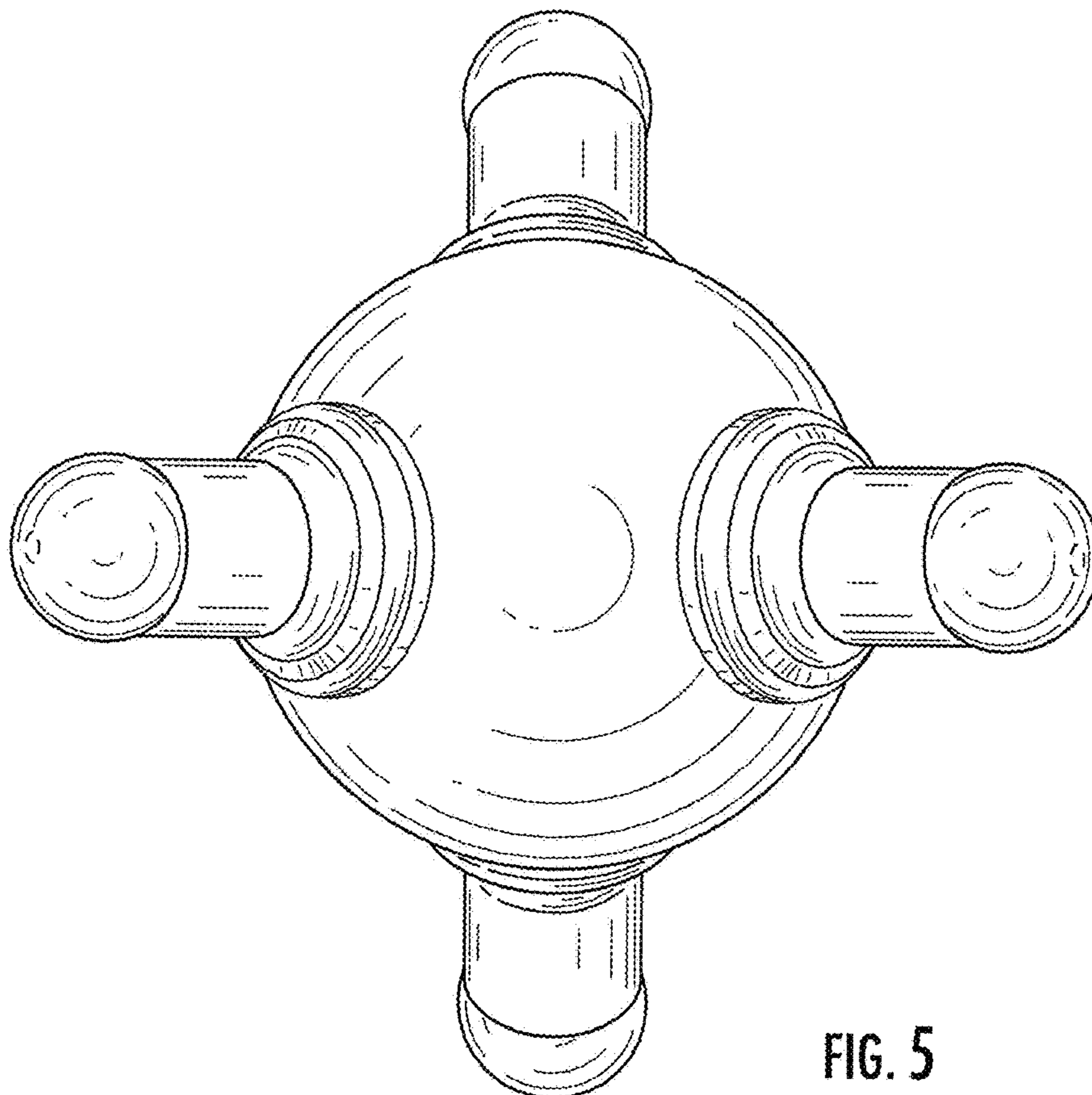


FIG. 5