

US00D899608S

(12) **United States Design Patent** (10) **Patent No.:** **US D899,608 S**
Baptist (45) **Date of Patent:** **** Oct. 20, 2020**

(54) **AMPUTATED LIMB COVER**
(71) Applicant: **Laverne Baptist**, Forestville, MD (US)
(72) Inventor: **Laverne Baptist**, Forestville, MD (US)
(**) Term: **15 Years**
(21) Appl. No.: **29/669,111**
(22) Filed: **Nov. 6, 2018**
(51) **LOC (12) Cl.** **24-01**
(52) **U.S. Cl.**
USPC **D24/190**
(58) **Field of Classification Search**
USPC D24/155, 190, 192
CPC .. A41D 13/08; A41D 13/065; A41D 13/0568;
A41D 17/00; A41D 31/005; A61B
71/1225; A61B 2071/1258; A61H 9/0078;
A61H 2209/00; A61H 2205/106; A61F
13/085; A61F 5/0109; A61F 5/0118;
Y10S 128/20; B32B 1/08
See application file for complete search history.

7,363,778 B2 * 4/2008 Pickering A61F 2/78
66/178 A
D670,493 S 11/2012 Campbell
8,349,021 B2 * 1/2013 Laghi A61F 2/7812
623/36
8,372,159 B2 * 2/2013 MacKenzie A61F 2/7812
623/34
8,828,094 B2 * 9/2014 Halldorsson A61F 2/7812
623/36
9,028,558 B2 * 5/2015 Halldorsson A61F 2/7812
623/36
9,049,889 B2 * 6/2015 Grubisha A61F 13/08
D745,161 S * 12/2015 Wanner D24/155
9,265,629 B2 * 2/2016 Kelley A61F 2/7812
9,364,347 B2 * 6/2016 Laghi A61F 2/7812
9,974,668 B2 * 5/2018 Halldorsson D04B 1/22
D837,392 S * 1/2019 Wanner D24/190
10,271,968 B2 * 4/2019 Bache A61F 2/7812
2010/0256780 A1 10/2010 So

FOREIGN PATENT DOCUMENTS

DE 69826917 10/2005
WO 2004075779 3/2005

* cited by examiner

Primary Examiner — Jennifer L Watkins

(56) **References Cited**
U.S. PATENT DOCUMENTS

1,319,637 A 10/1919 Blevens
3,451,232 A * 6/1969 Belzidsky A61F 2/7812
66/171
3,600,717 A 8/1971 Mckeehan
3,991,424 A * 11/1976 Prah A61F 2/7812
602/61
4,840,635 A 6/1989 Smith
5,314,496 A 5/1994 Harris
5,603,122 A 2/1997 Kania
5,888,231 A * 3/1999 Sandvig A61F 2/7812
264/222
5,964,688 A 10/1999 Woody et al.

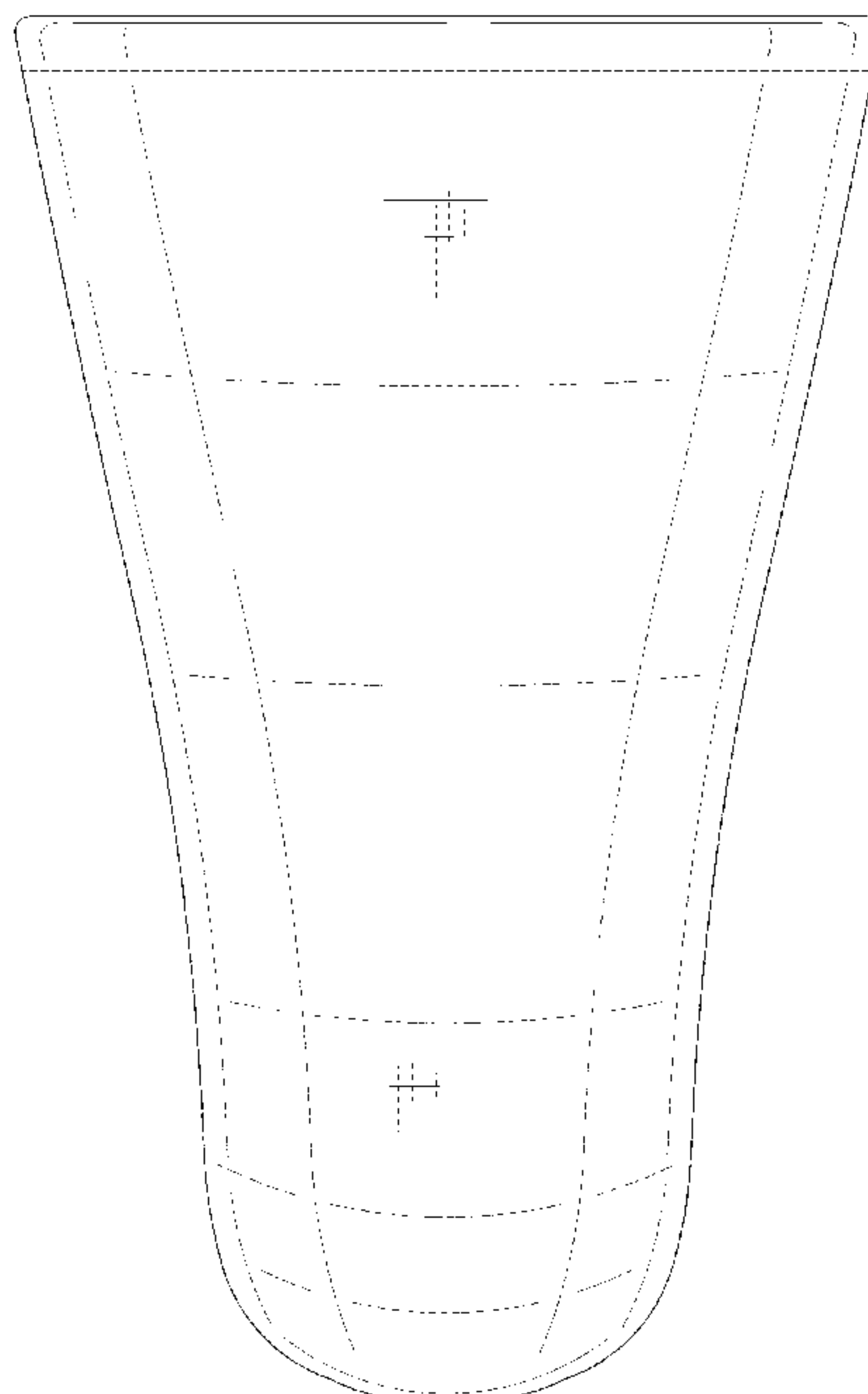
(57) **CLAIM**

I claim the ornamental design for an amputated limb cover, as shown and described.

DESCRIPTION

FIG. 1 is a front view of the amputated limb cover.
FIG. 2 is a top view of the claimed design.
FIG. 3 is a bottom view of the claimed design; and,
FIG. 4 is a perspective view of the claimed design.
The broken lines depict portions of a limb cover and form no part of the claim.

1 Claim, 4 Drawing Sheets



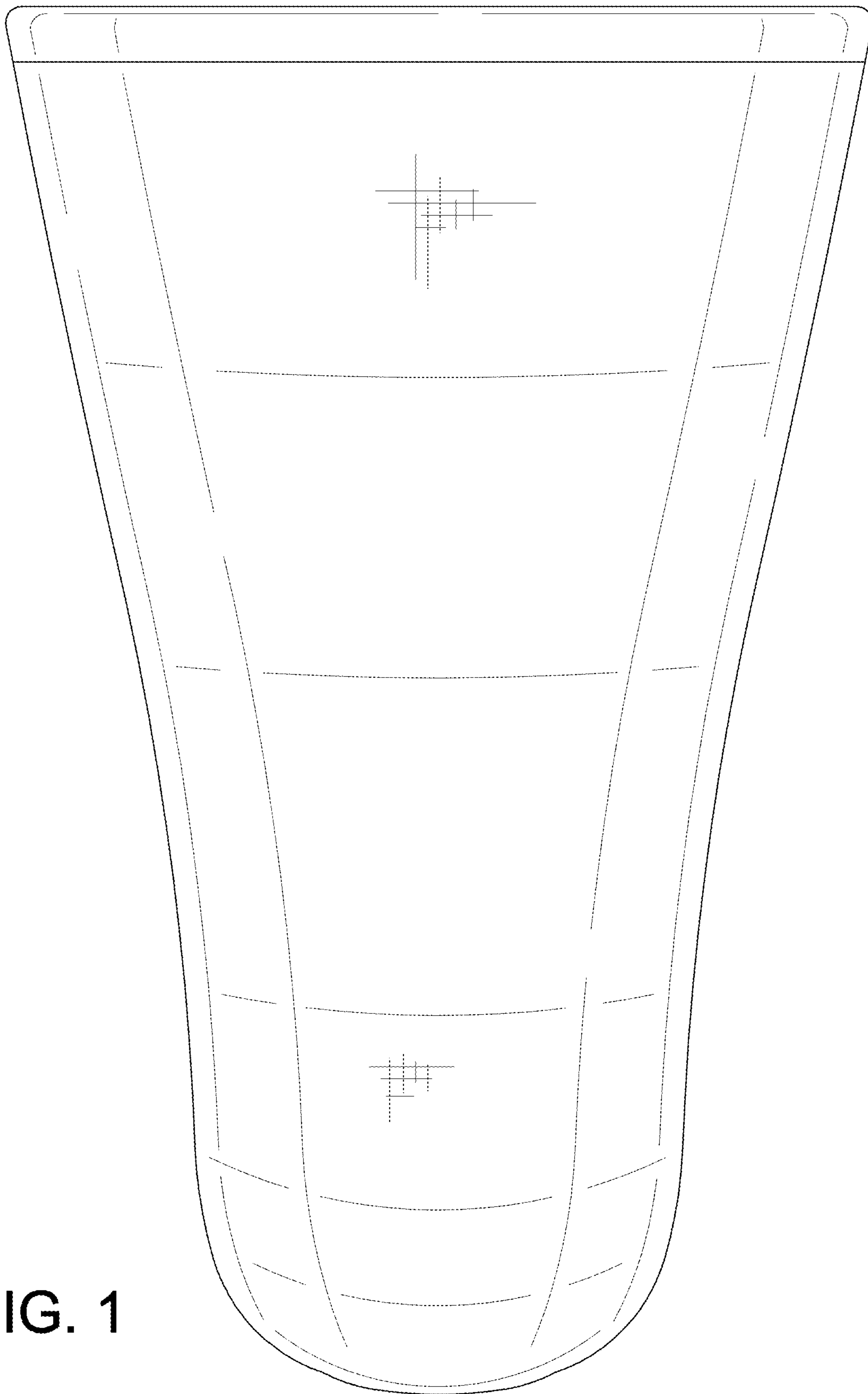


FIG. 1

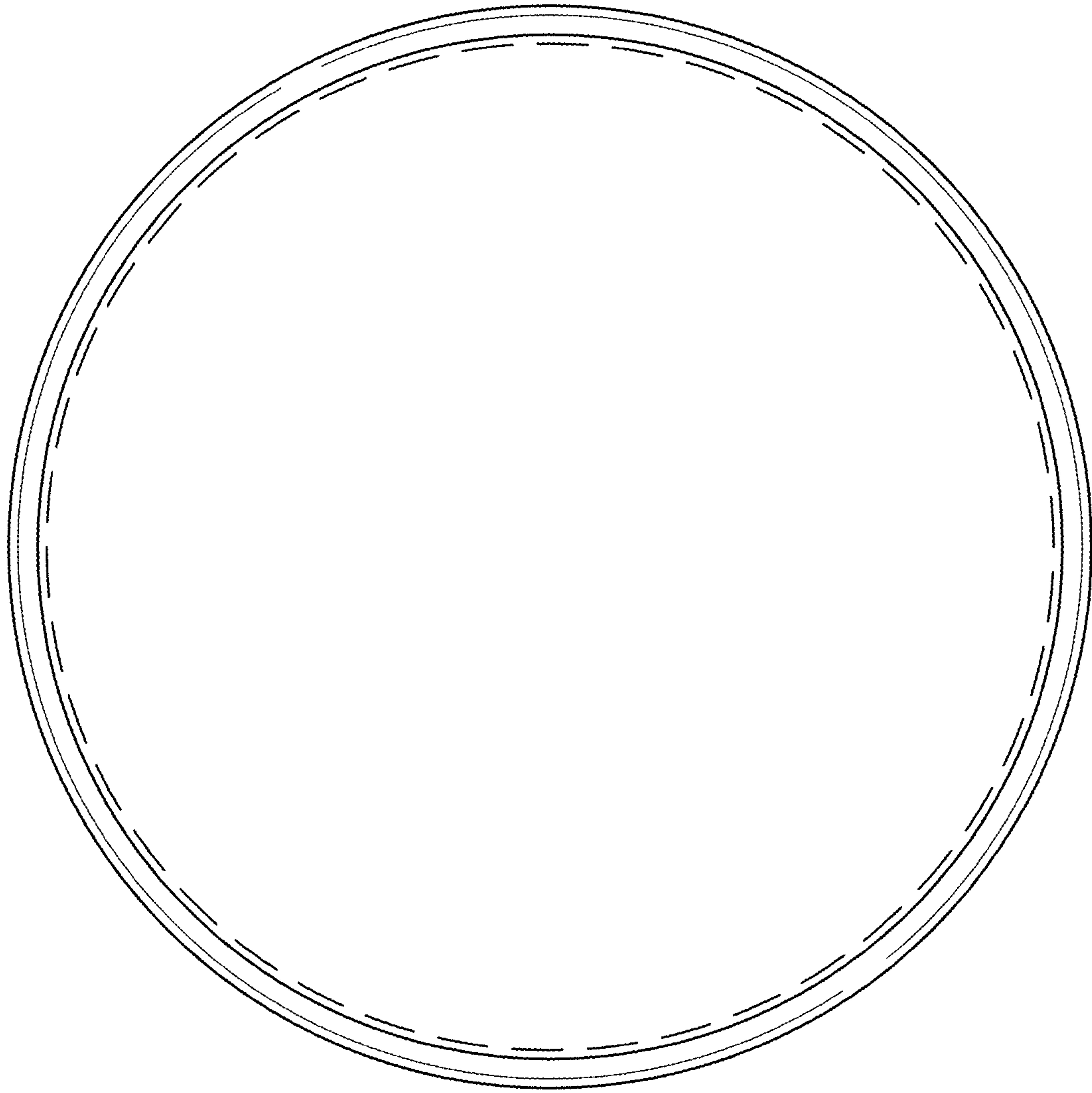


FIG. 2

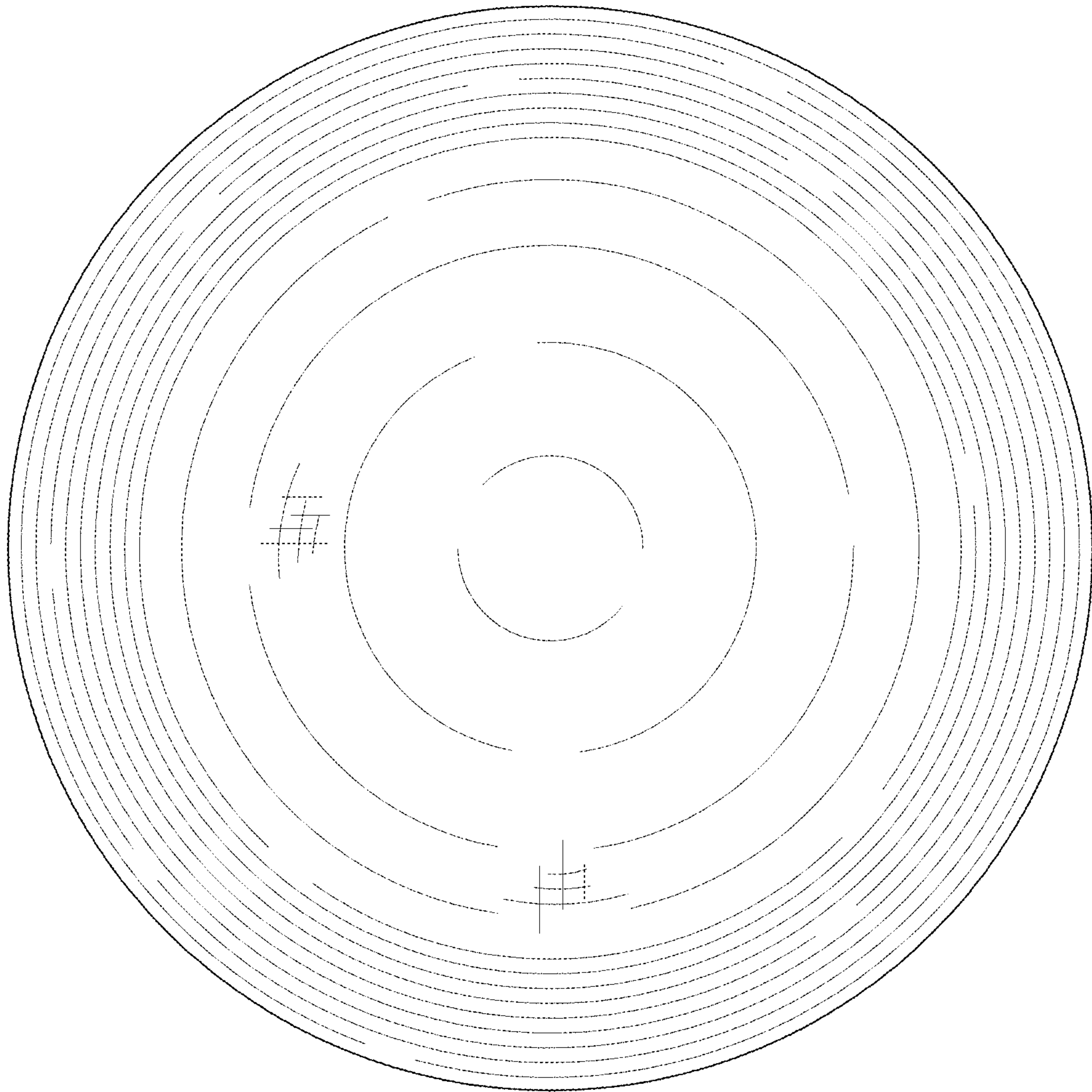


FIG. 3

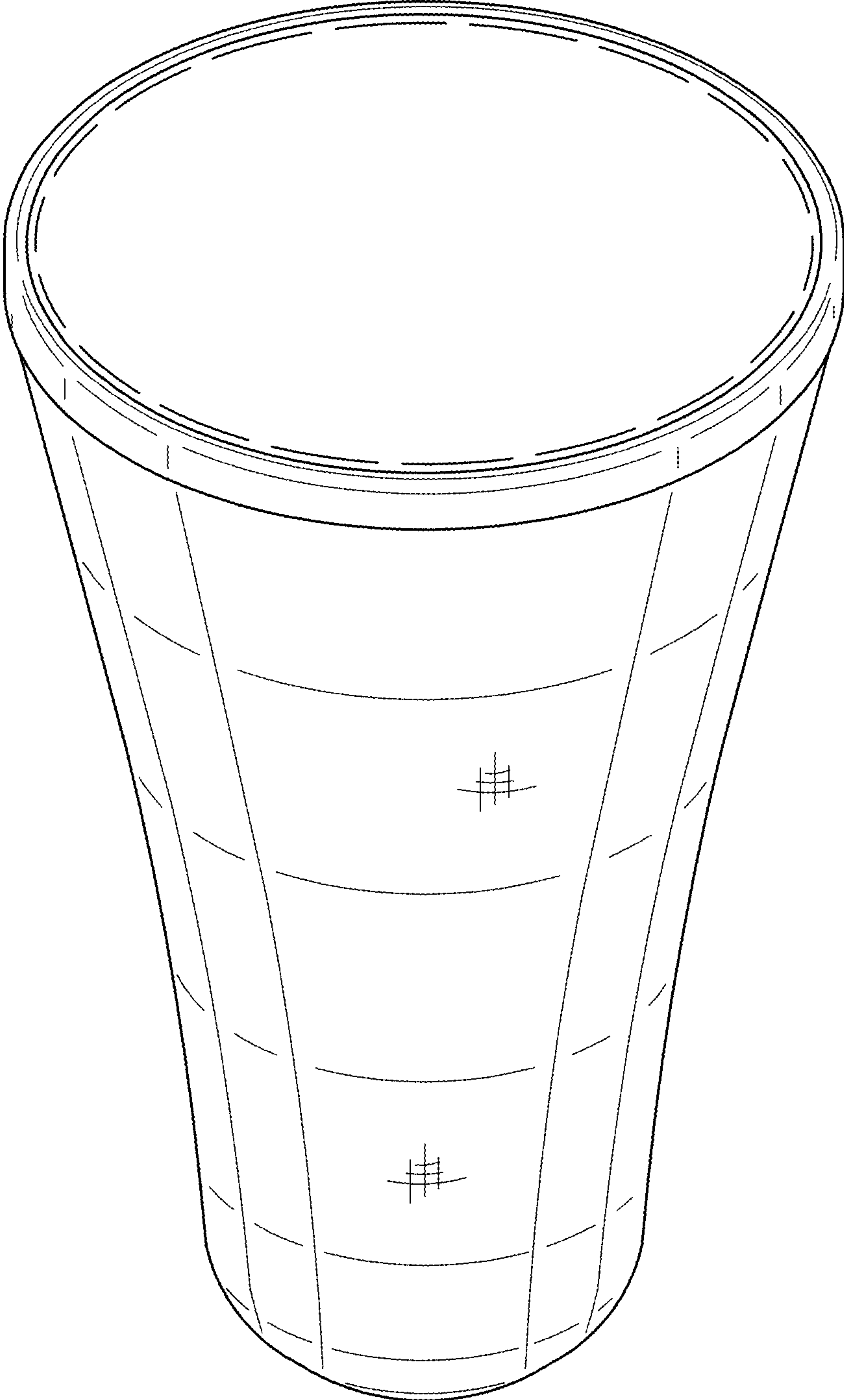


FIG. 4