



US00D899605S

(12) **United States Design Patent** (10) **Patent No.:** **US D899,605 S**  
**Ross et al.** (45) **Date of Patent:** **\*\* Oct. 20, 2020**

(54) **WRIST ATTACHMENT BAND FOR FALL  
DETECTION DEVICE**

(71) Applicant: **MedHab, LLC**, Mansfield, TX (US)

(72) Inventors: **Johnny Ross**, Mansfield, TX (US);  
**James Olinger**, Crowley, TX (US)

(73) Assignee: **MedHab, LLC**, Mansfield, TX (US)

(\*\*) Term: **15 Years**

(21) Appl. No.: **29/664,161**

(22) Filed: **Sep. 21, 2018**

(51) **LOC (12) Cl.** ..... **24-01**

(52) **U.S. Cl.**  
USPC ..... **D24/186**

(58) **Field of Classification Search**  
USPC ..... D24/186, 165–168, 187, 200, 231, 232;  
D10/30–39, 65, 70, 78, 97, 98; D11/1, 2,  
D11/3, 4, 5, 12, 19, 86, 94; D14/138 R,  
D14/203.5, 203.6, 341, 344, 347  
CPC ..... G06F 1/163; A61B 5/0404; A61B 5/0488;  
A61B 5/0476  
See application file for complete search history.

(56) **References Cited**

**U.S. PATENT DOCUMENTS**

D279,555 S \* 7/1985 Matsuo ..... D11/4  
5,766,132 A \* 6/1998 Yasukawa ..... A61B 5/02427  
600/500  
8,615,377 B1 12/2013 Yuen et al.  
8,734,296 B1 5/2014 Brumback et al.  
D706,531 S 6/2014 Park et al.  
D707,041 S 6/2014 Park et al.  
8,762,101 B2 6/2014 Yuen et al.  
8,762,102 B2 6/2014 Yuen et al.  
8,784,271 B2 7/2014 Brumback et al.  
8,793,101 B2 7/2014 Yuen et al.  
D714,672 S 10/2014 Park et al.

D715,666 S 10/2014 Park et al.  
D717,680 S 11/2014 Park et al.  
8,892,401 B2 11/2014 Yuen et al.  
8,909,543 B2 12/2014 Tropper et al.  
8,920,332 B2 12/2014 Hong et al.  
8,924,249 B2 12/2014 Tropper et al.  
D720,635 S 1/2015 Park et al.  
8,935,119 B2 1/2015 Yuen  
8,944,958 B1 2/2015 Brumback et al.  
8,945,017 B2 2/2015 Venkatraman et al.  
8,948,832 B2 2/2015 Hong et al.

(Continued)

**OTHER PUBLICATIONS**

Mynotifi Extra Wristband, posted at mynotifi.com, no posting date,  
online, URL:https://www.mynotifi.com/medical-alert-bracelet (Year:  
2019).\*

*Primary Examiner* — Lilyana Bekic  
*Assistant Examiner* — Mary Shannon Malley  
(74) *Attorney, Agent, or Firm* — Eric Karich; Karich &  
Associates

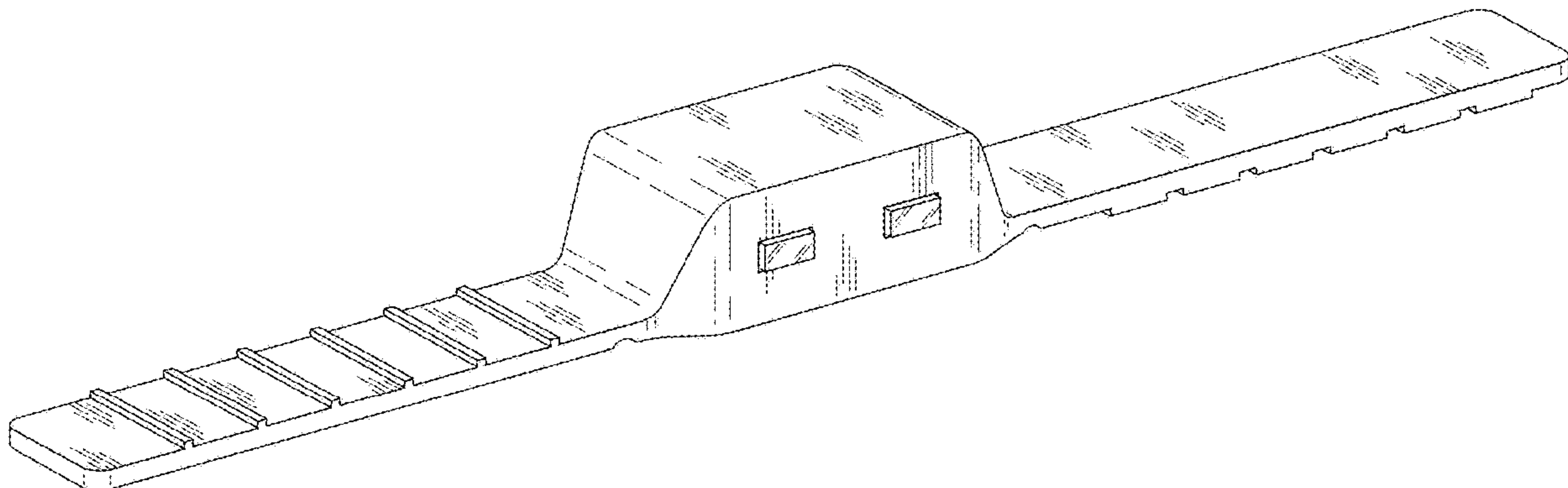
(57) **CLAIM**

The ornamental design for a wrist attachment band for fall  
detection device, as shown and described.

**DESCRIPTION**

FIG. 1 is a perspective view of a wrist attachment band for  
fall detection device, showing my new design;  
FIG. 2 is a front elevational view thereof;  
FIG. 3 is a rear elevational view thereof;  
FIG. 4 is a left side elevational view thereof  
FIG. 5 is a right side elevational view thereof;  
FIG. 6 is a top plan view thereof; and,  
FIG. 7 is a bottom plan view thereof.  
The broken lines depict portions of the wrist attachment  
band for fall detection device that form no part of the  
claimed design.

**1 Claim, 2 Drawing Sheets**



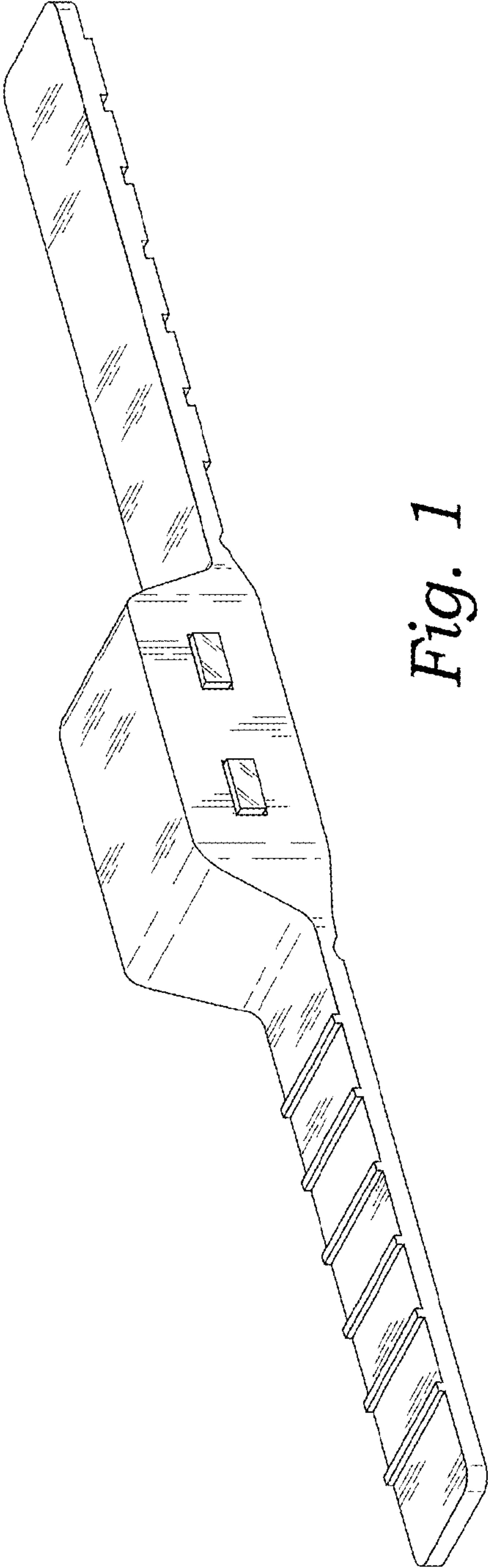
(56)

References Cited

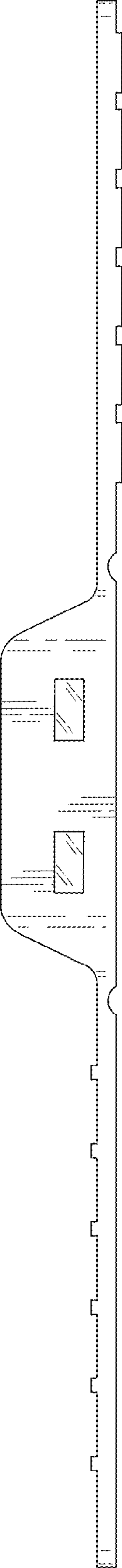
U.S. PATENT DOCUMENTS

8,954,135 B2	2/2015	Yuen et al.	9,801,547 B2	10/2017	Yuen et al.
8,956,303 B2	2/2015	Hong et al.	D802,452 S	11/2017	Paschke et al.
D727,183 S	4/2015	Park et al.	D802,453 S	11/2017	Page et al.
D727,759 S	4/2015	Martinez et al.	D802,454 S	11/2017	Paschke et al.
8,998,815 B2	4/2015	Venkatraman et al.	D803,077 S	11/2017	Paschke et al.
9,005,129 B2	4/2015	Venkatraman et al.	9,808,185 B2	11/2017	Arnold et al.
9,026,927 B2	5/2015	Brumback et al.	D804,334 S	12/2017	Becker et al.
9,113,794 B2	8/2015	Hong et al.	D805,418 S	12/2017	Lowe et al.
9,113,795 B2	8/2015	Hong et al.	D806,070 S *	12/2017	Bang ..... D14/344
9,237,855 B2	1/2016	Hong et al.	9,851,808 B2	12/2017	Yuen et al.
D749,002 S	2/2016	Park et al.	D806,599 S	1/2018	Nielsen et al.
D751,069 S *	3/2016	Choi ..... D10/32	D807,219 S	1/2018	Ling et al.
9,307,917 B2	4/2016	Hong et al.	9,880,157 B2	1/2018	Levak et al.
D759,516 S	6/2016	Ling et al.	D809,955 S	2/2018	Ling et al.
D759,826 S	6/2016	Martinez et al.	9,891,717 B2	2/2018	Pantelopoulos et al.
D763,719 S	8/2016	Nielsen et al.	D813,695 S	3/2018	Nielsen et al.
D766,758 S	9/2016	Park et al.	D816,668 S *	5/2018	Wu ..... D14/344
D768,028 S	10/2016	Ling et al.	D817,920 S	5/2018	Paschke et al.
9,456,787 B2	10/2016	Venkatraman et al.	D821,245 S	6/2018	Lowe et al.
D777,590 S	1/2017	Nielsen et al.	D821,247 S	6/2018	Lean et al.
9,655,548 B2	5/2017	Hong et al.	D822,526 S	7/2018	Lean et al.
D789,357 S *	6/2017	Wu ..... D14/344	1,001,075 A1	7/2018	Tropper et al.
D790,374 S	6/2017	Lean et al.	D829,123 S *	9/2018	Nielsen ..... D11/3
D790,994 S	7/2017	Nielsen et al.	D850,317 S *	6/2019	Hinds ..... D11/3
D792,796 S *	7/2017	Haley ..... D11/3	D853,881 S *	7/2019	Akana ..... D11/3
9,728,059 B2	8/2017	Arnold et al.	10,380,866 B1 *	8/2019	Ross ..... G08B 21/043
D796,368 S	9/2017	Lowe et al.	D862,264 S *	10/2019	Sendin Martin ..... D10/104.1
D800,596 S	10/2017	Ling et al.	D864,011 S *	10/2019	Moon ..... D11/3
			2016/0058391 A1 *	3/2016	Narusawa ..... A61B 5/681 600/301

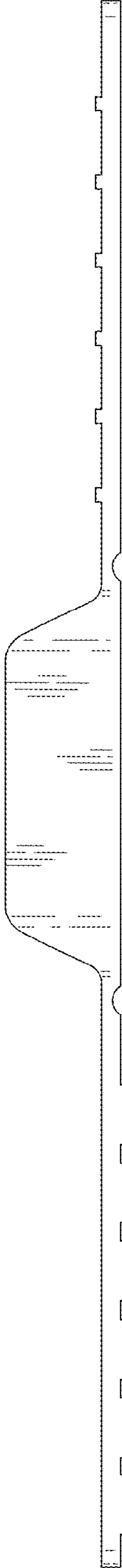
\* cited by examiner



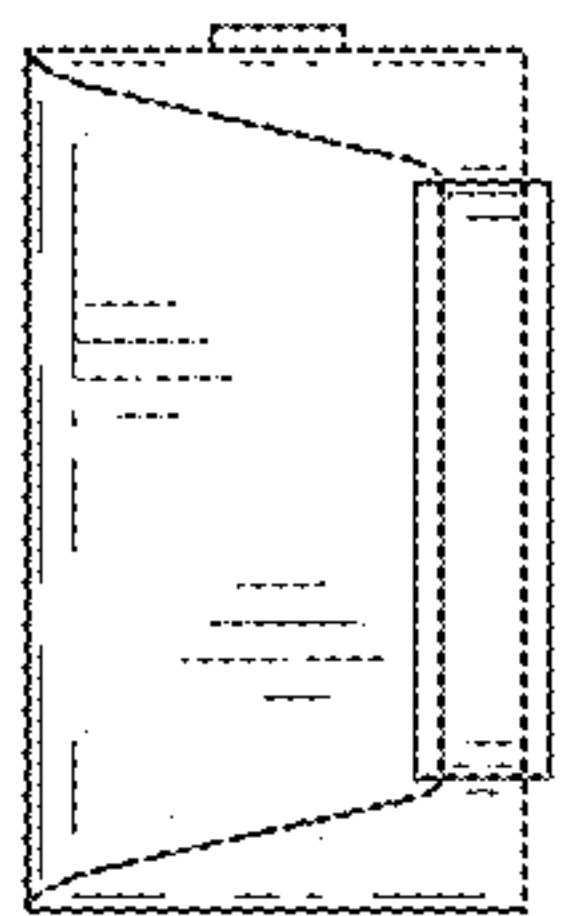
*Fig. 1*



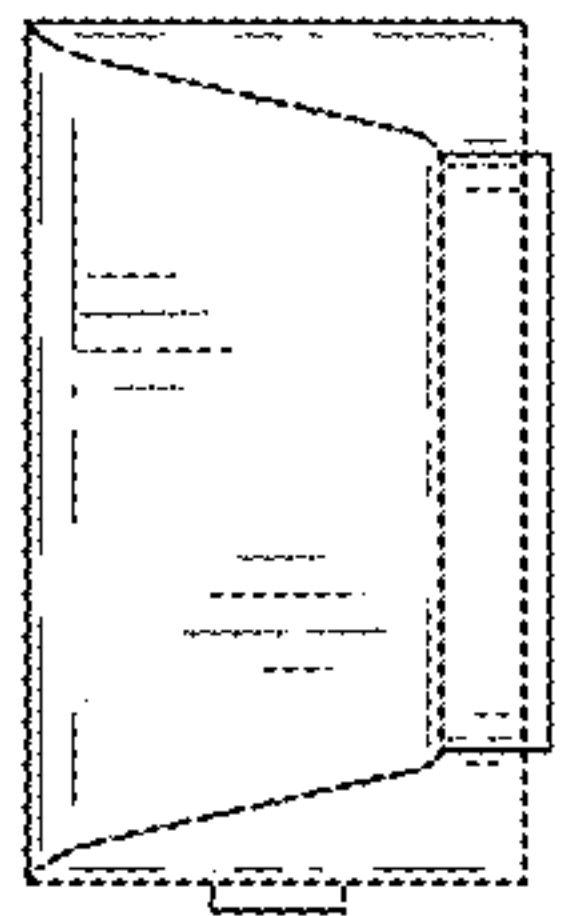
*Fig. 2*



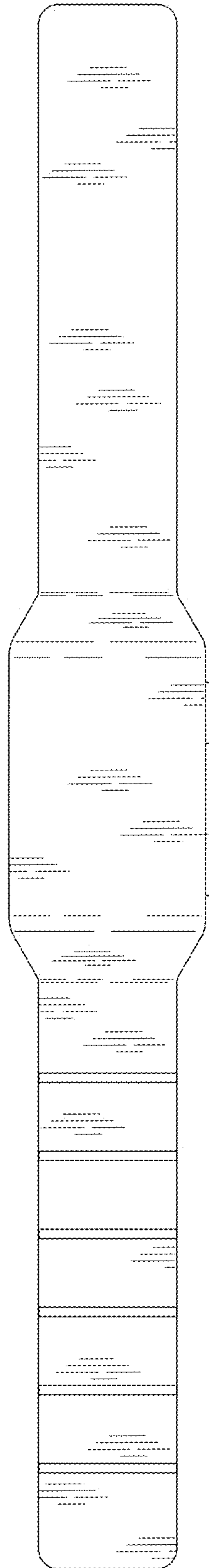
*Fig. 3*



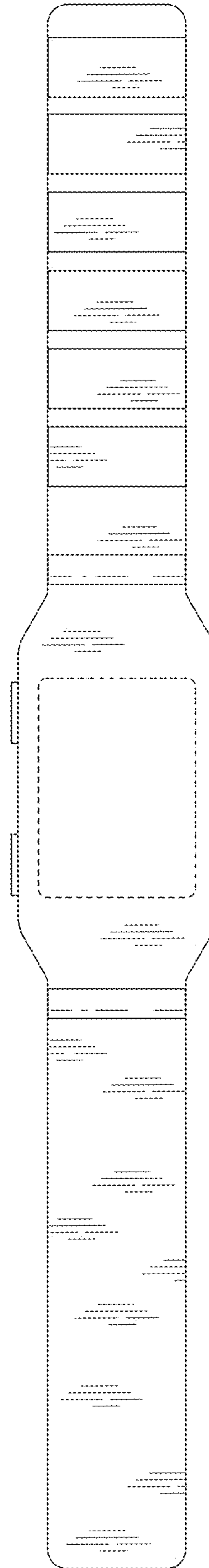
*Fig. 4*



*Fig. 5*



*Fig. 6*



*Fig. 7*