



US00D899603S

(12) **United States Design Patent** (10) **Patent No.:** **US D899,603 S**
Casazza et al. (45) **Date of Patent:** **** Oct. 20, 2020**

(54) **SURGICAL SUPPORT BOARD WITH GOOSE NECK ARM**

(71) Applicant: **TESSLAGRA DESIGN SOLUTION INC.**, Staten Island, NY (US)

(72) Inventors: **Richard Casazza**, Staten Island, NY (US); **Christos Pitoulis**, Spring Hill, FL (US); **Grace Mullings**, Staten Island, NY (US)

(73) Assignee: **TESSLAGRA DESIGN SOLUTION INC.**, Staten Island, NY (US)

(**) Term: **15 Years**

(21) Appl. No.: **29/669,349**

(22) Filed: **Nov. 7, 2018**

(51) **LOC (12) Cl.** **24-02**

(52) **U.S. Cl.**
USPC **D24/184**

(58) **Field of Classification Search**
USPC D24/159, 183-184, 200; D6/429, D6/595-596, 601, 604, 605, 610, 716.2, D6/716.3, 718, 718.3; D16/242
CPC A61G 7/00; A61G 7/0507; A61G 13/107
See application file for complete search history.

(56) **References Cited**

U.S. PATENT DOCUMENTS

D290,709 S *	7/1987	Hedrick	D16/243
D303,144 S *	8/1989	Sparks	D24/183
D399,194 S *	10/1998	Chuang	D14/461
D488,011 S *	4/2004	Chi	D6/366
D652,356 S *	1/2012	Lindloff	D12/119
D687,878 S *	8/2013	Greenthal	D16/242
D687,879 S *	8/2013	Greenthal	D16/242
D827,344 S *	9/2018	Dillon	D6/682
D830,563 S *	10/2018	Kim	D24/200
D858,777 S *	9/2019	Yancey	D24/184
D861,175 S *	9/2019	Jarva	D24/183

D865,174 S *	10/2019	Auld	D24/145
2008/0191104 A1 *	8/2008	Wang	A47C 1/03 248/118
2013/0320739 A1 *	12/2013	Chen	A47C 7/54 297/411.36
2014/0110977 A1 *	4/2014	Madrigal	A47C 7/70 297/173

(Continued)

FOREIGN PATENT DOCUMENTS

JP D2008-11494 * 5/2008

OTHER PUBLICATIONS

Portable Gynecology Examination Table. Online, published date unknown. Retrieved on Dec. 15, 2019 from URL: <http://m.chinahospitalfurnitures.com/hospital-bed/portable-gynecology-examination-table.html>.*

(Continued)

Primary Examiner — Susan Bennett Hattan

Assistant Examiner — Omeed Agilee

(74) *Attorney, Agent, or Firm* — F. Chau & Associates, LLC

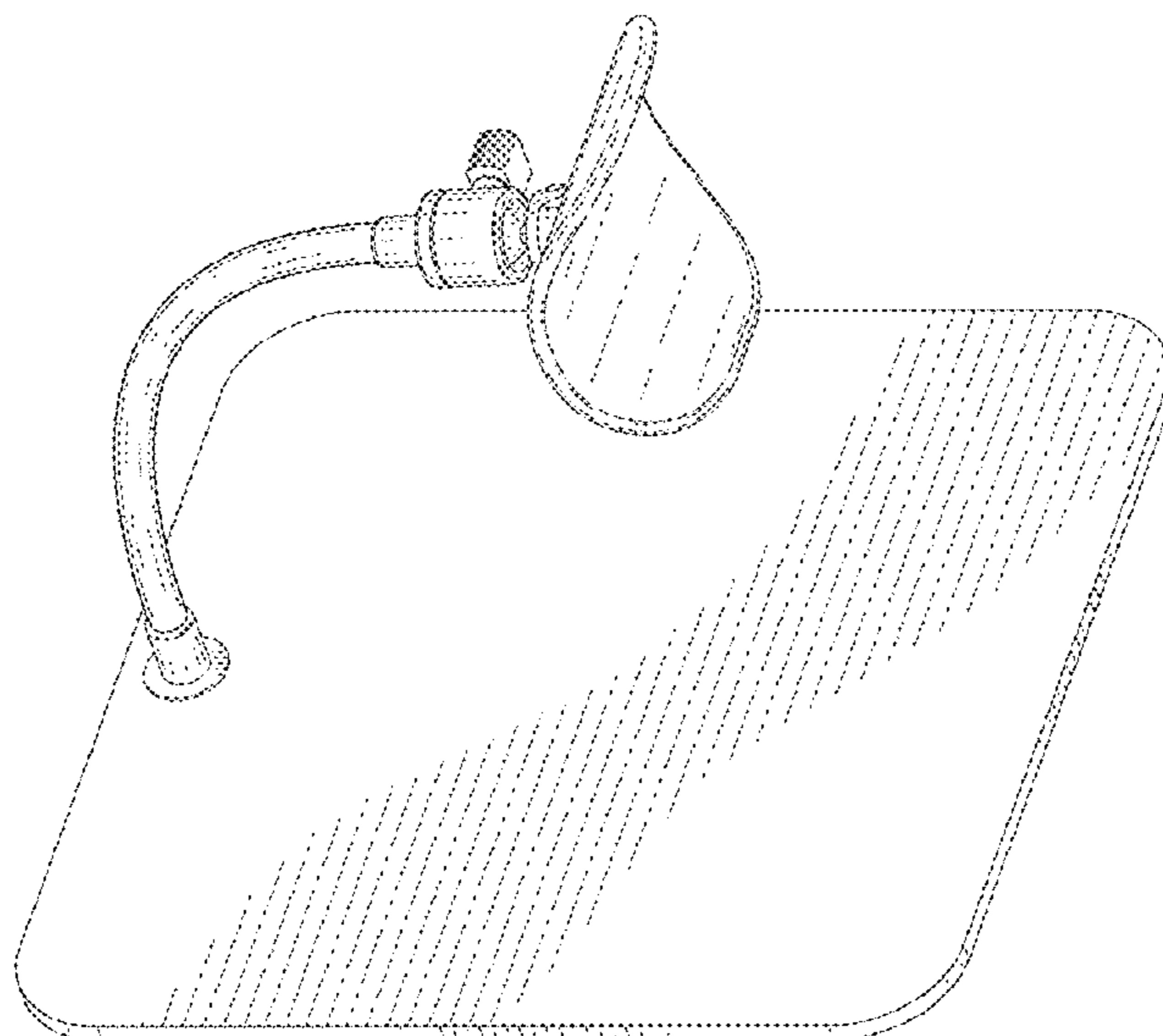
(57) **CLAIM**

The ornamental design for a surgical support board with goose neck arm, as shown and described.

DESCRIPTION

FIG. 1 is a top perspective view of a surgical support board with goose neck arm;
FIG. 2 is a bottom perspective view thereof;
FIG. 3 is a top view thereof;
FIG. 4 is a bottom view thereof;
FIG. 5 is a right side view thereof;
FIG. 6 is a left side view thereof;
FIG. 7 is a front view thereof; and,
FIG. 8 is a back view thereof.

1 Claim, 8 Drawing Sheets



(56)

References Cited

U.S. PATENT DOCUMENTS

2018/0014647 A1* 1/2018 Huang A47C 1/03
2019/0015097 A1* 1/2019 Williams A61B 17/068

OTHER PUBLICATIONS

Promotal Elansa Gyanecological/Examination Table. Online, published date unknown. Retrieved on Dec. 15, 2019 from URL: <https://www.medicalsearch.com.au/promotal-elansa-gyanecological-table/p/151954>.*

* cited by examiner

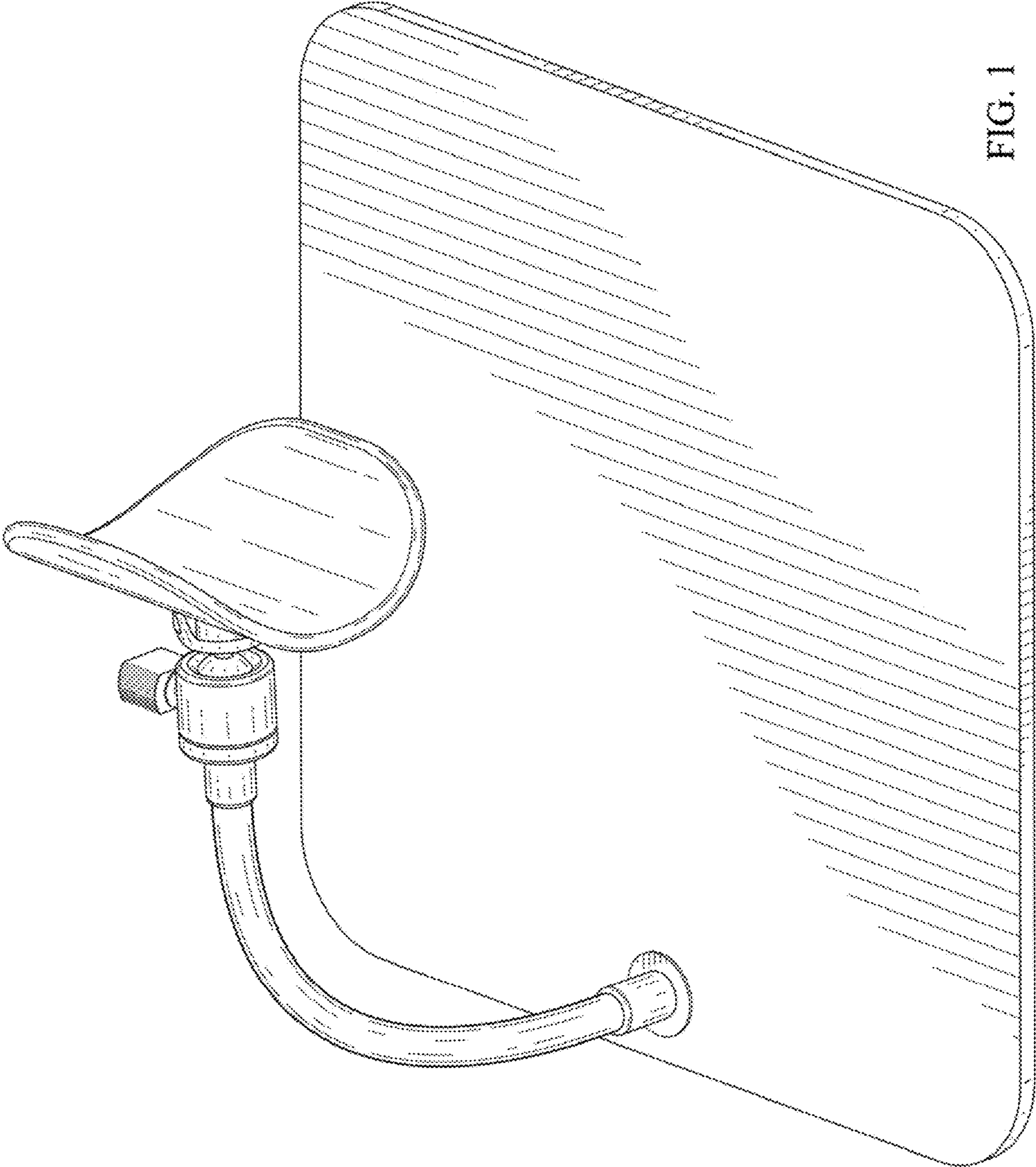


FIG. 1

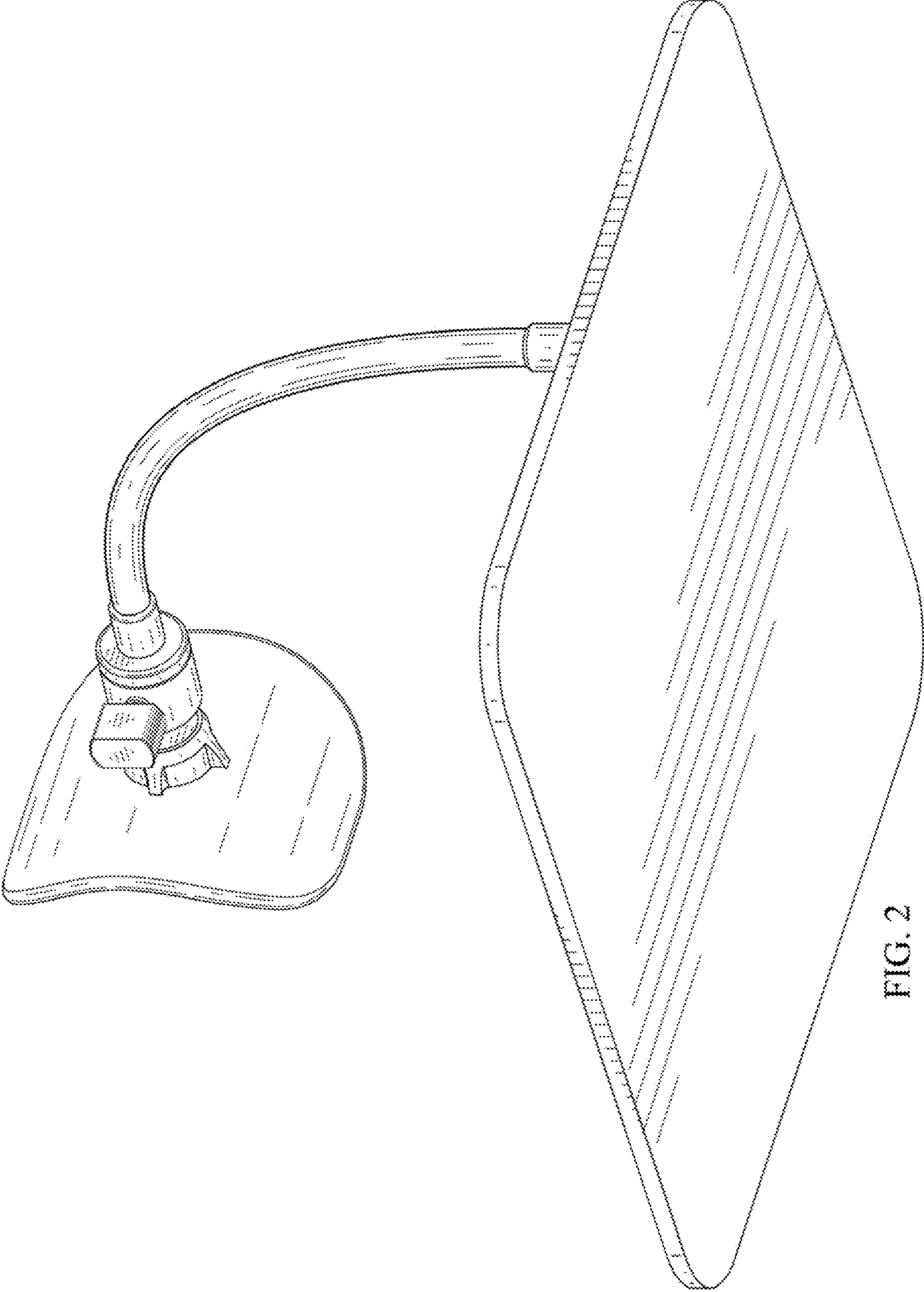


FIG. 2

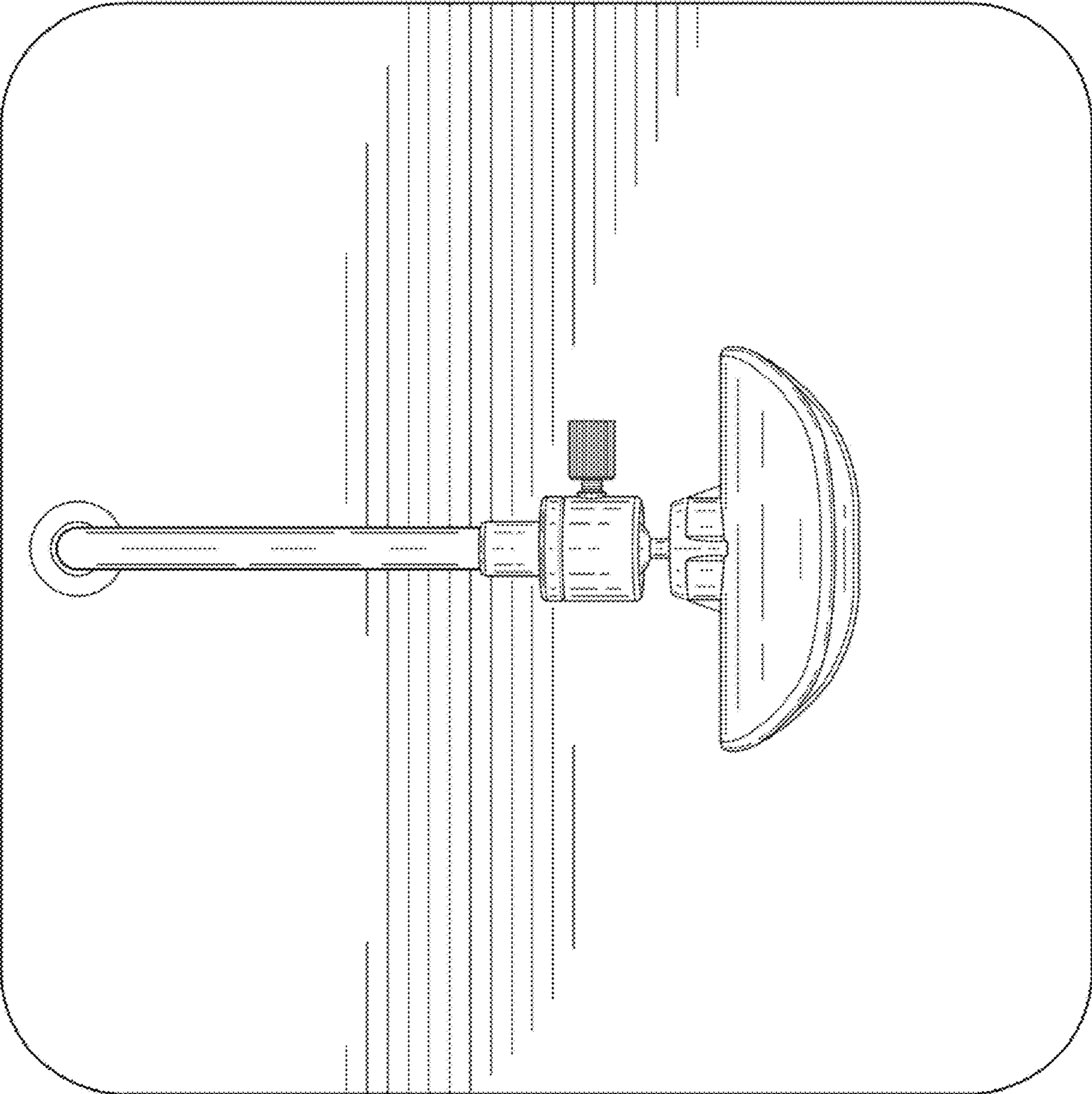


FIG. 3

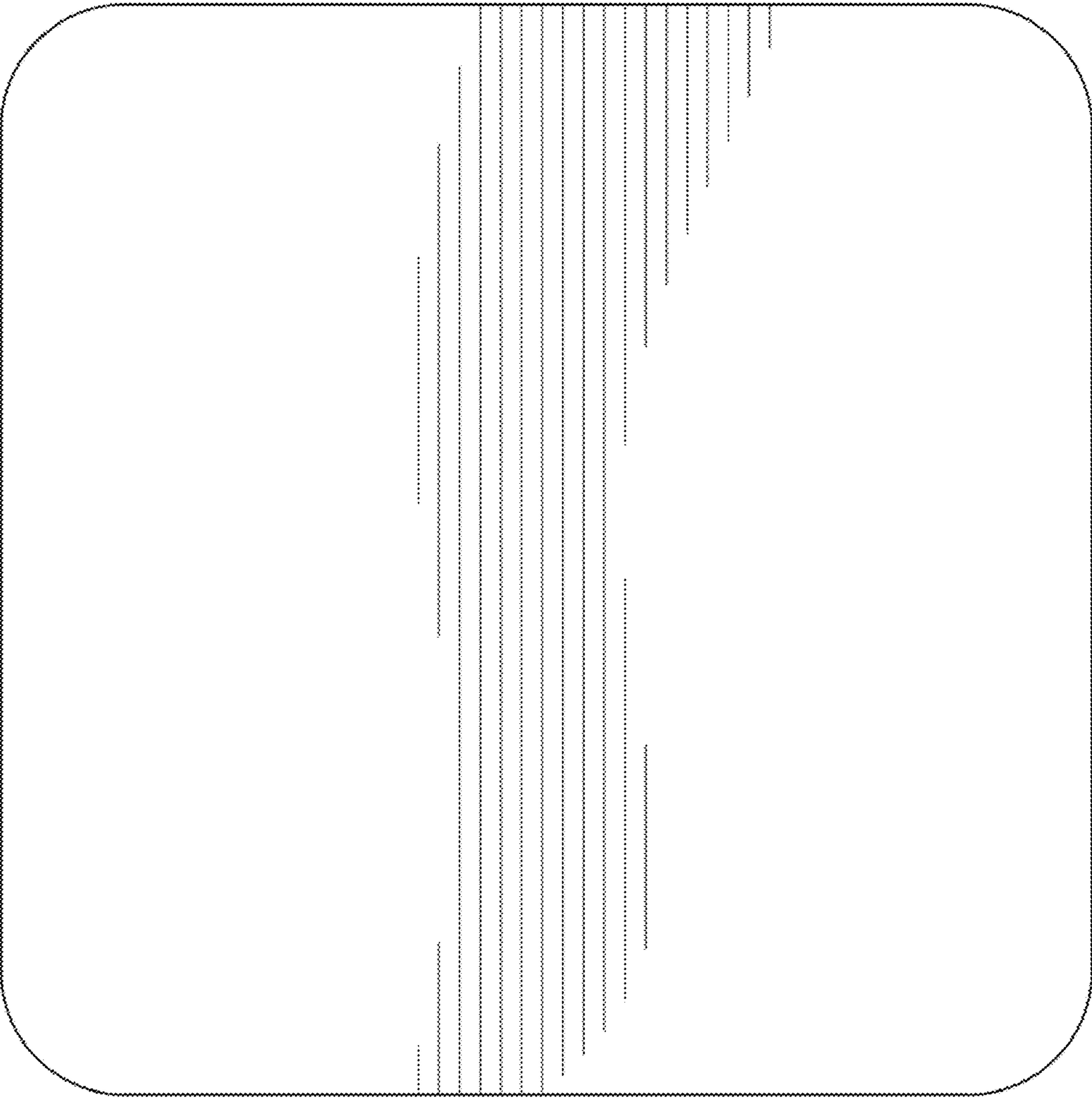


FIG. 4

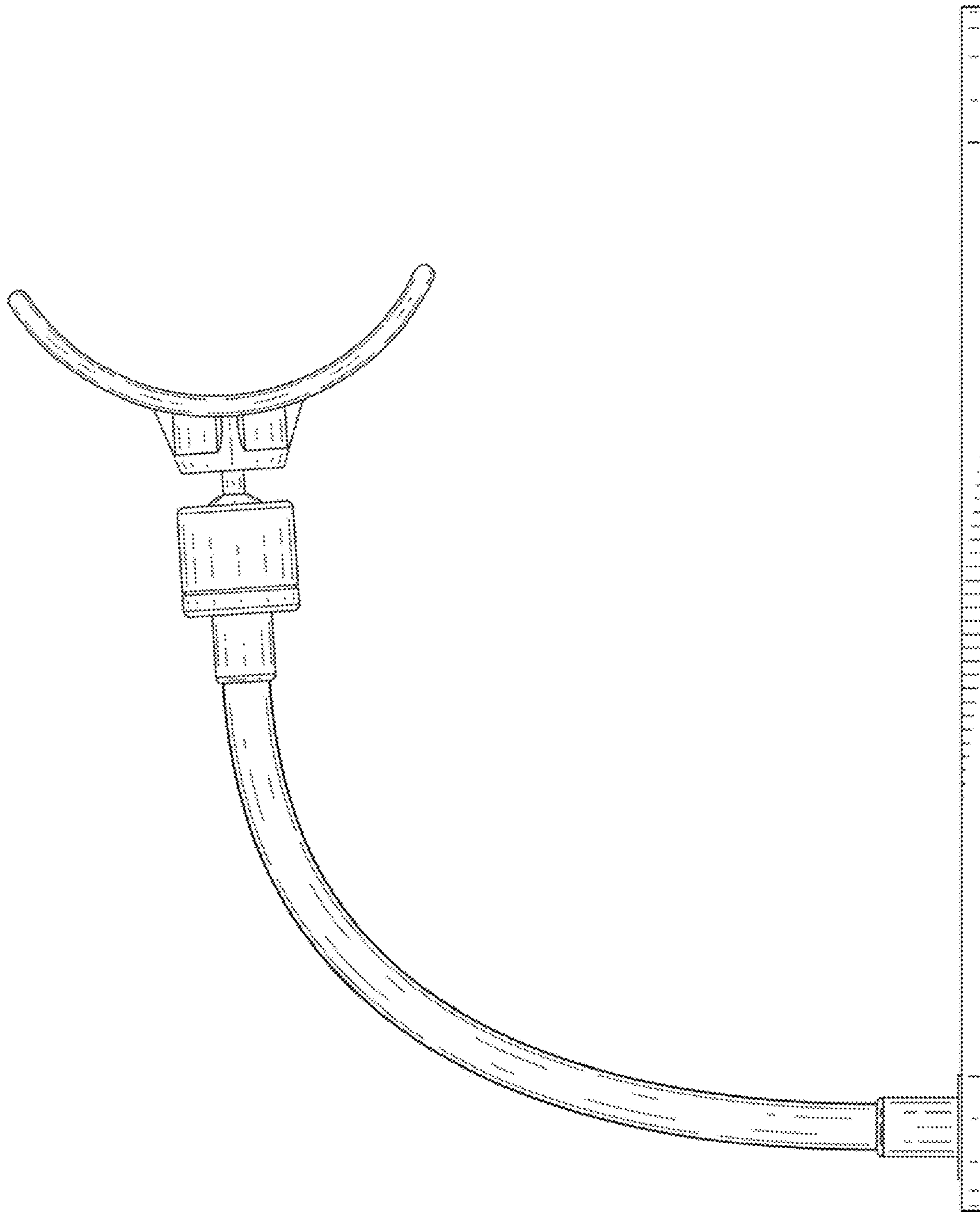


FIG. 5

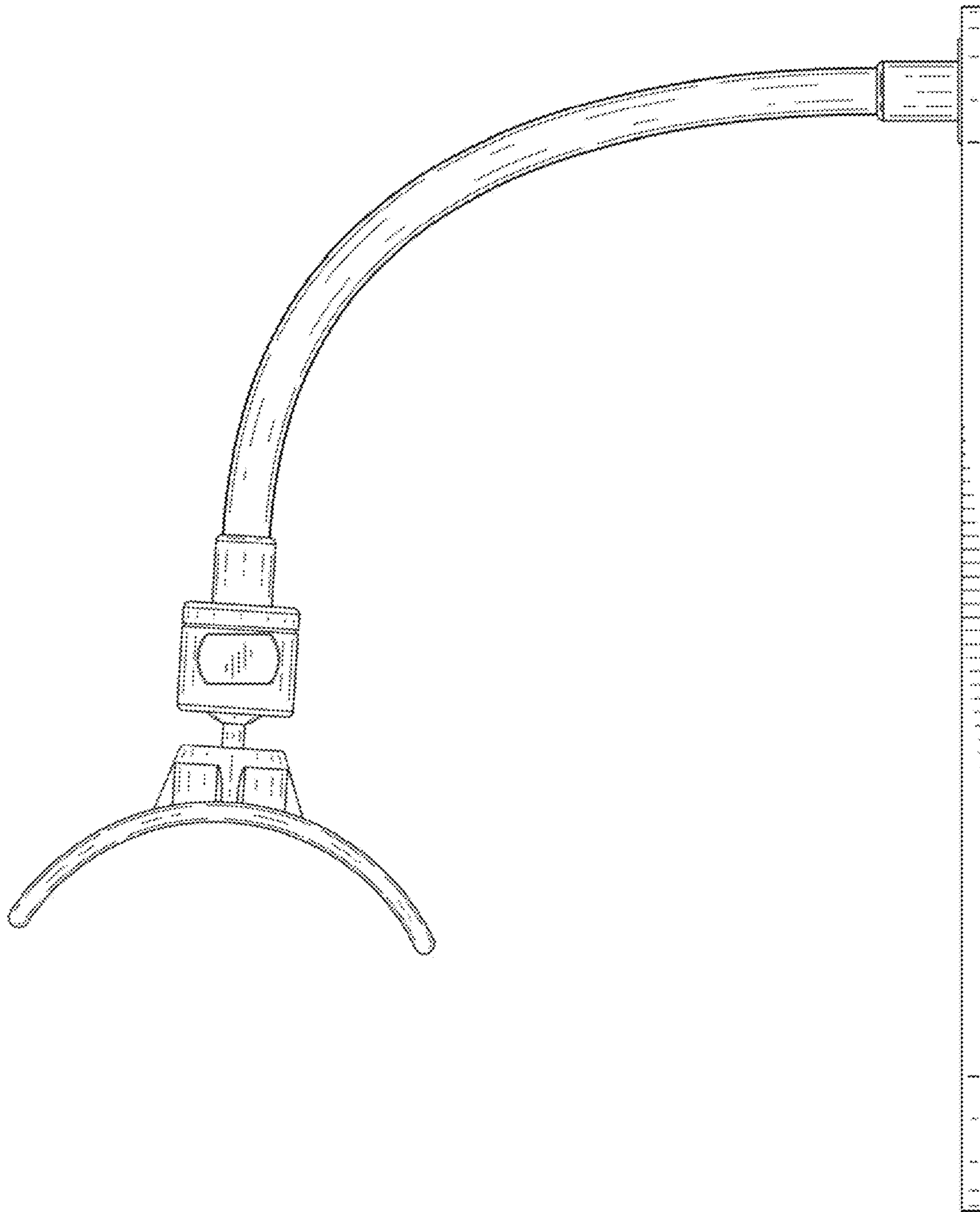


FIG. 6

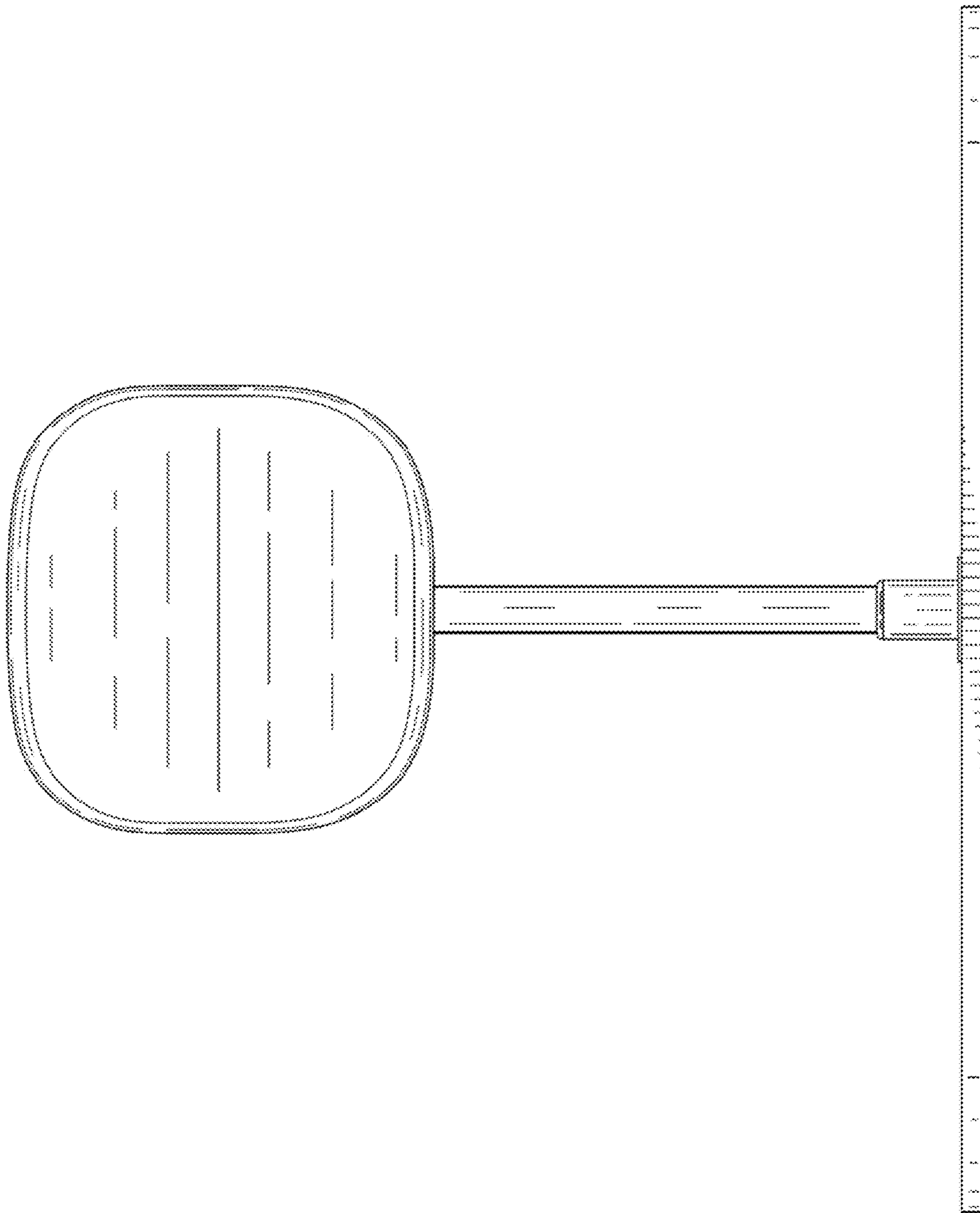


FIG. 7

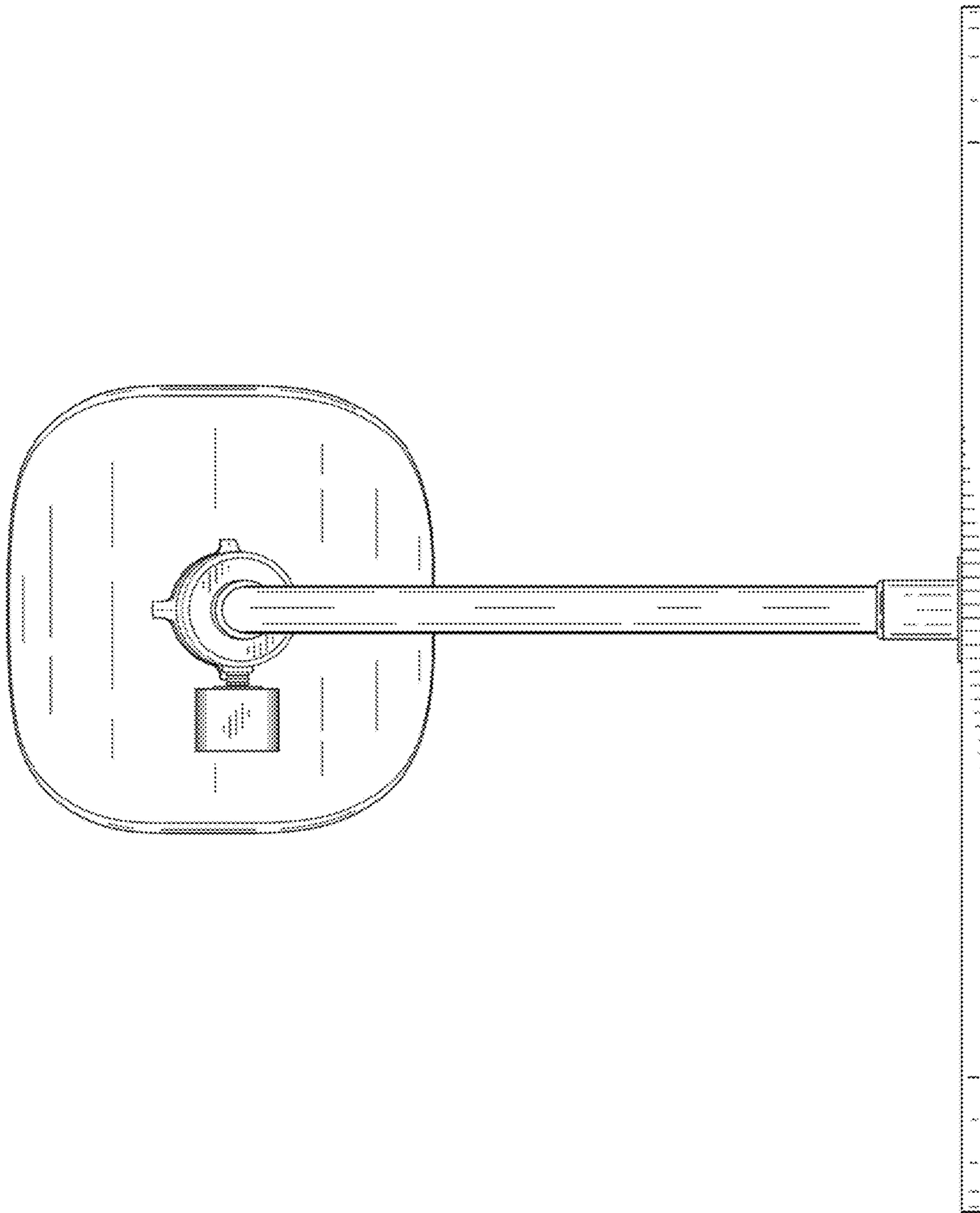


FIG. 8