



US00D899602S

(12) **United States Design Patent** (10) **Patent No.:** **US D899,602 S**
Smith et al. (45) **Date of Patent:** **** Oct. 20, 2020**

(54) **EXAMINATION TABLE**

FOREIGN PATENT DOCUMENTS

(71) Applicant: **Midmark Corporation**, Versailles, OH (US)

JP D2003-18503 * 6/2003

(72) Inventors: **Arthur Dale Smith**, Greenville, OH (US); **Benjamin Carl Seger**, Ansonia, OH (US); **Kenneth Paul Wolters**, Minster, OH (US); **Jason A. Male**, Grayslake, IL (US); **Thomas John Helmick**, Bradford, OH (US); **Joseph Edwin Martin**, Arcanum, OH (US); **Michael Todd Cavins**, Marysville, OH (US); **Rainer Bernhard Teufel**, Worthington, OH (US); **Jeffrey T. DeBord**, Worthington, OH (US)

OTHER PUBLICATIONS

Examination/Treatment & Emergency. Online, published date unknown. Retrieved on Apr. 24, 2019 from URL: <http://www.surgmed.com/category/medical/tables--stools.aspx>.*

Primary Examiner — Susan Bennett Hattan
Assistant Examiner — Omeed Agilee
(74) *Attorney, Agent, or Firm* — Frost Brown Todd LLC

(73) Assignee: **Midmark Corporation**, Versailles, OH (US)

(57) **CLAIM**

The ornamental design for an examination table, as shown and described.

(**) Term: **15 Years**

DESCRIPTION

(21) Appl. No.: **29/636,620**

(22) Filed: **Feb. 9, 2018**

(51) **LOC (12) Cl.** **24-02**

(52) **U.S. Cl.**
USPC **D24/183**

(58) **Field of Classification Search**
USPC D24/159, 183–184, 200; D6/595–596, D6/601, 604–605, 336–337
CPC A61B 6/04; A61B 6/0407; A61F 5/3723
See application file for complete search history.

FIG. 1 is a front perspective view of an examination table showing our new design in a raised state; FIG. 2 is a rear perspective view thereof; FIG. 3 is a front elevational view thereof; FIG. 4 is a rear elevational view thereof; FIG. 5 is a left side elevational view thereof; FIG. 6 is a right side elevational view thereof; FIG. 7 is a top plan view thereof; FIG. 8 is a bottom plan view thereof; FIG. 9 is a front perspective view of an examination table showing our new design in a lowered state; FIG. 10 is a rear perspective view thereof; FIG. 11 is a front elevational view thereof; FIG. 12 is a rear elevational view thereof; FIG. 13 is a left side elevational view thereof; FIG. 14 is a right side elevational view thereof; FIG. 15 is a top plan view thereof; and, FIG. 16 is a bottom plan view thereof.

The broken lines shown in the drawings depict portions of the examination table that form no part of the claimed design.

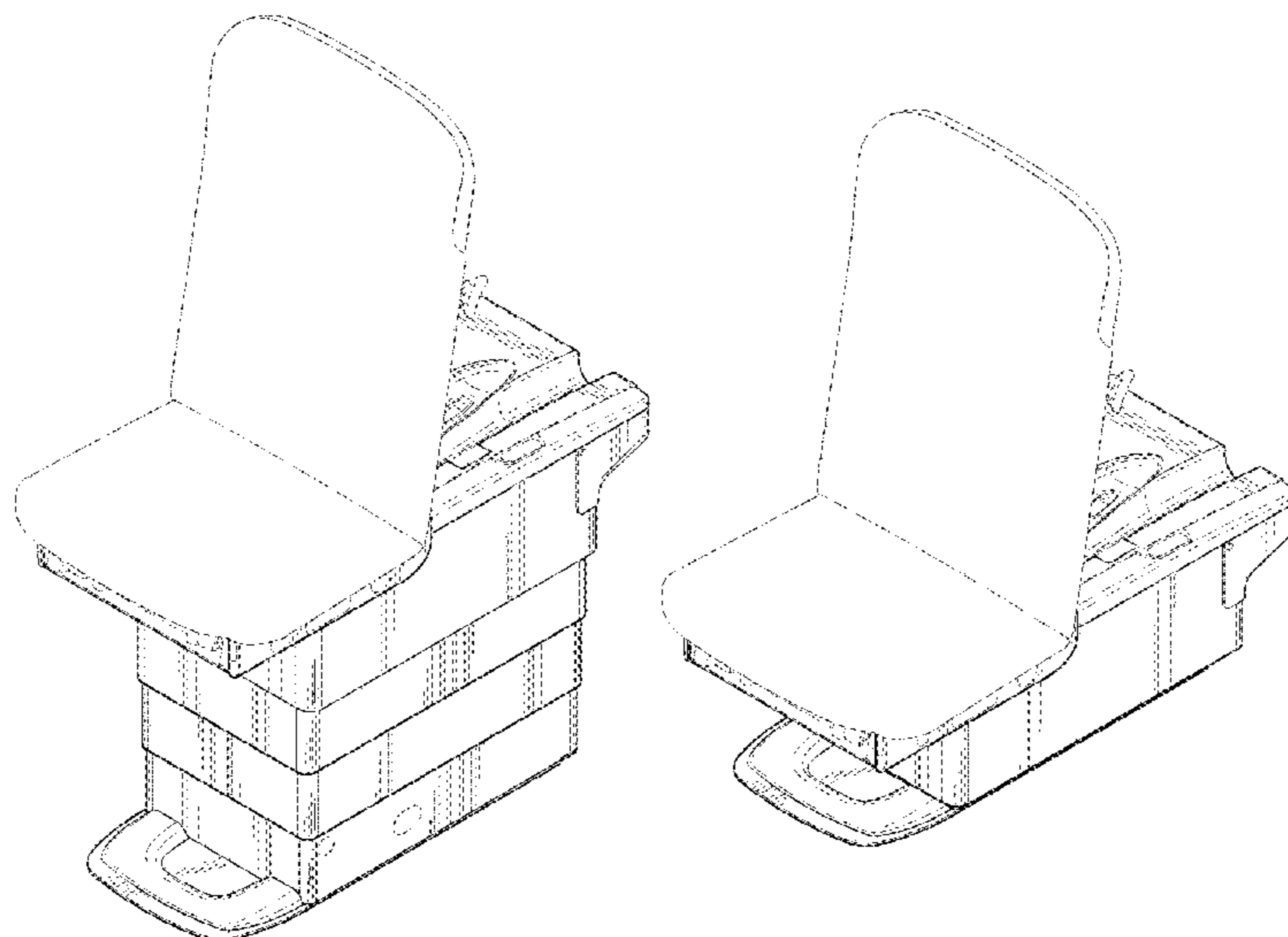
(56) **References Cited**

U.S. PATENT DOCUMENTS

D96,758 S * 9/1935 Kalter D24/183
D351,742 S * 10/1994 Phleps D24/183
D379,409 S * 5/1997 Schwaegerle D6/360
D418,225 S * 12/1999 Simpkins D24/183
D553,246 S * 10/2007 Banryu D24/183

(Continued)

1 Claim, 16 Drawing Sheets



(56)

References Cited

U.S. PATENT DOCUMENTS

7,376,991 B2 * 5/2008 Stewart A61G 13/0018
297/354.13
D602,162 S * 10/2009 Albrecht D24/184
D681,208 S * 4/2013 Ninomiya D24/159
D685,099 S * 6/2013 Magoteaux D24/183
8,641,147 B2 * 2/2014 Diller A61G 15/125
297/391
D701,605 S * 3/2014 Ohmukai D24/183
D726,319 S * 4/2015 Sul D24/159
D727,509 S * 4/2015 Tan D24/159
D748,804 S * 2/2016 Eenboom D24/183
D750,254 S * 2/2016 Boegel D24/159
D752,757 S * 3/2016 Li D24/159
D762,995 S * 8/2016 Galati, Jr. D6/336
D770,049 S * 10/2016 Yanagihara D24/159
D774,195 S * 12/2016 Ramos D24/183
9,597,243 B1 * 3/2017 Helmick A61G 15/02
D820,453 S * 6/2018 Personelli D24/159
D829,913 S * 10/2018 Kitayama D24/159
D844,789 S * 4/2019 Hetz D24/183
2004/0068797 A1 * 4/2004 Smith A61G 13/0018
5/617
2013/0247300 A1 * 9/2013 Menke A61G 13/0018
5/611
2014/0058213 A1 * 2/2014 Abu-Tarif A61B 5/0205
600/301

* cited by examiner

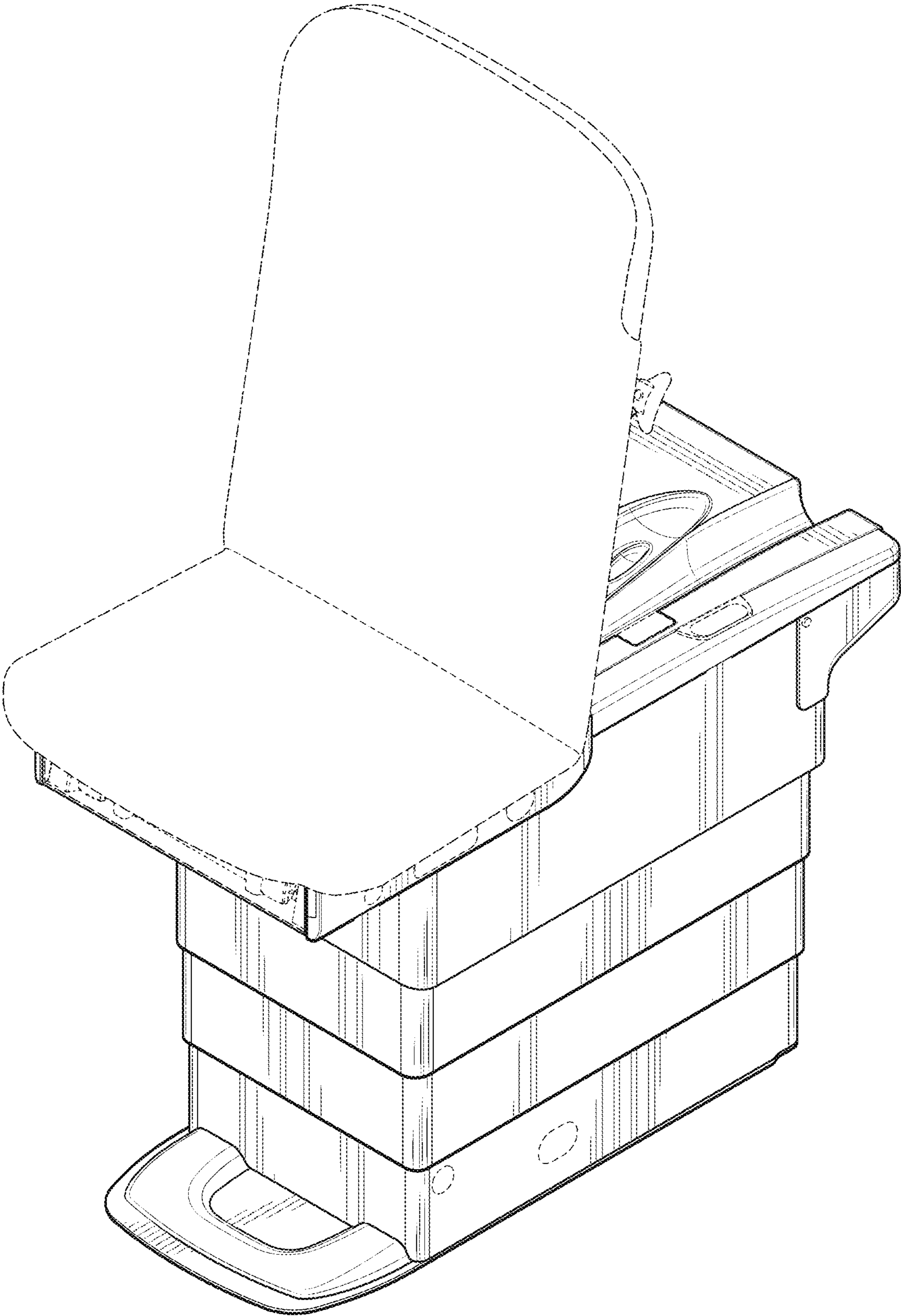


FIG. 1

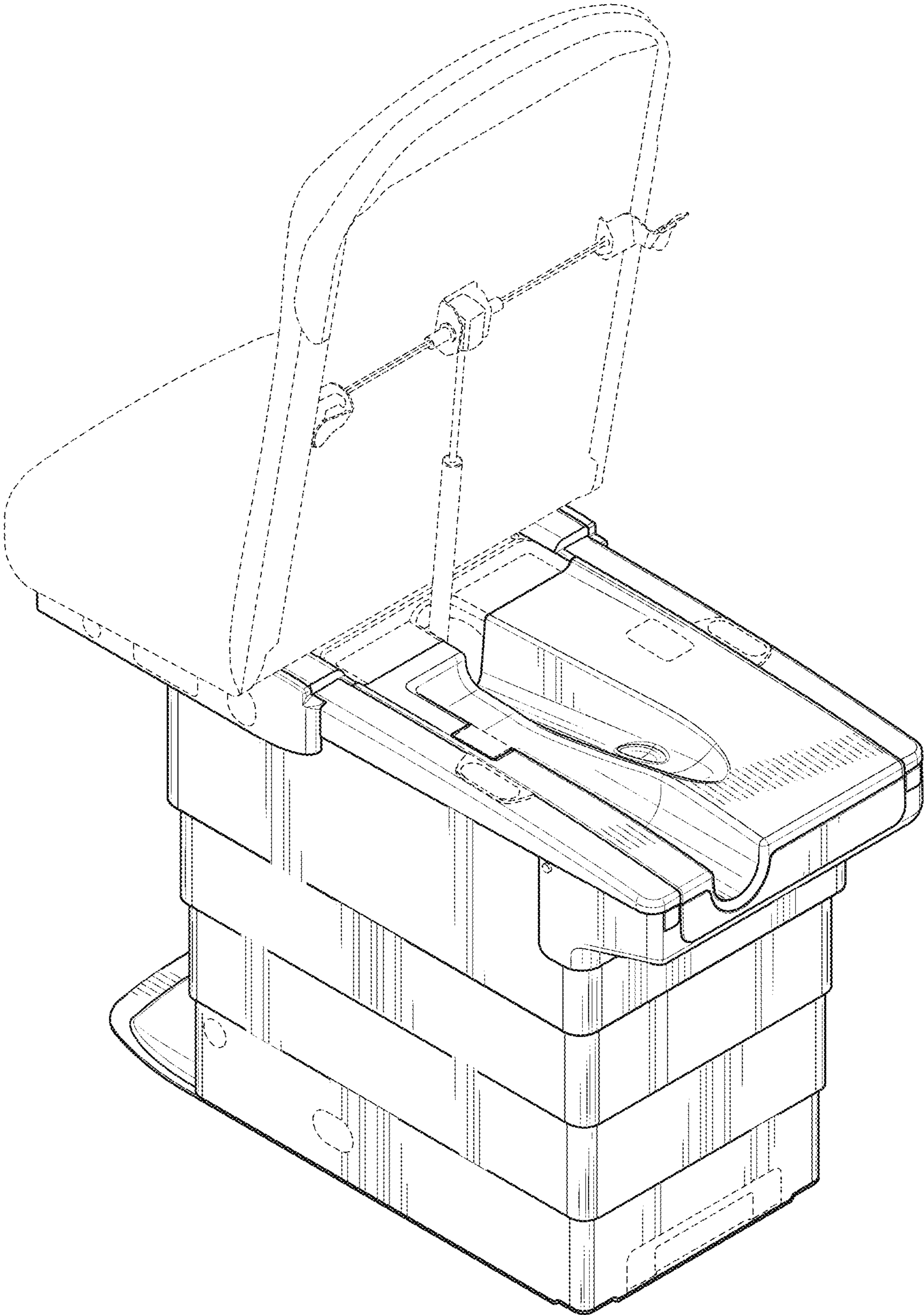


FIG. 2

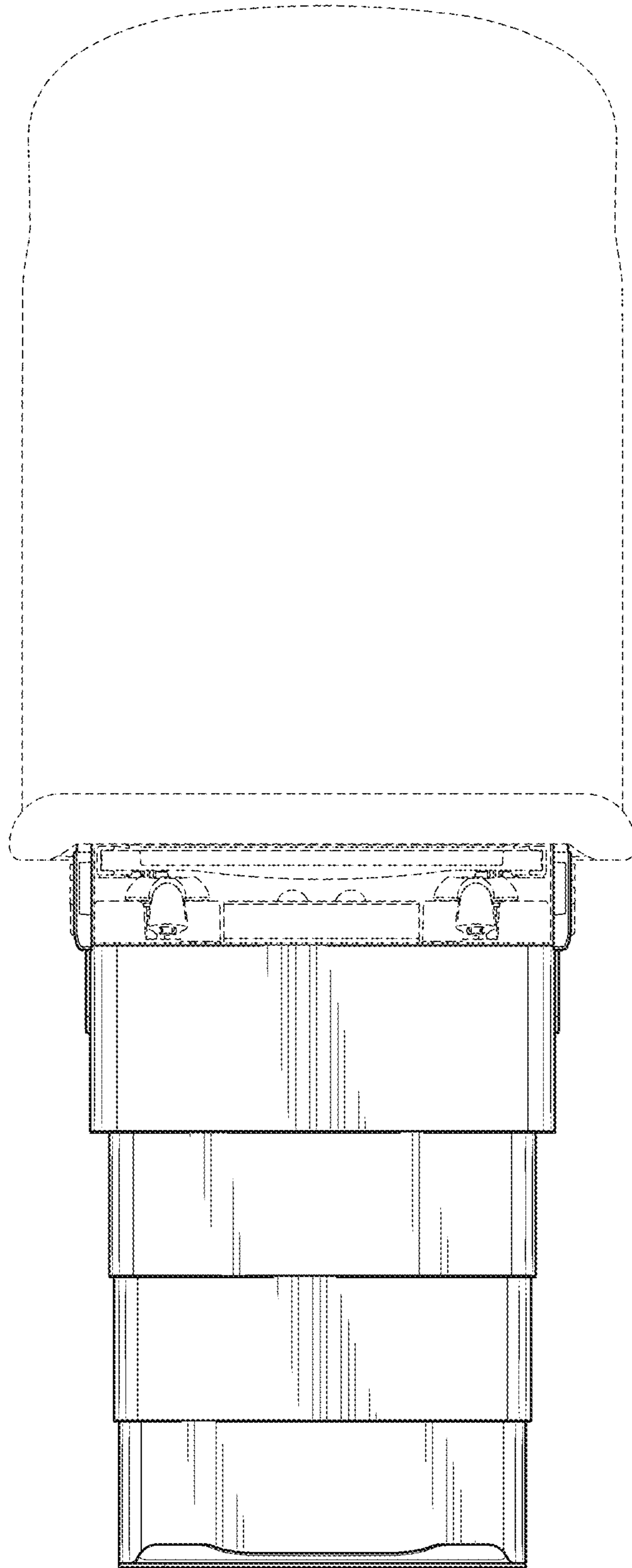


FIG. 3

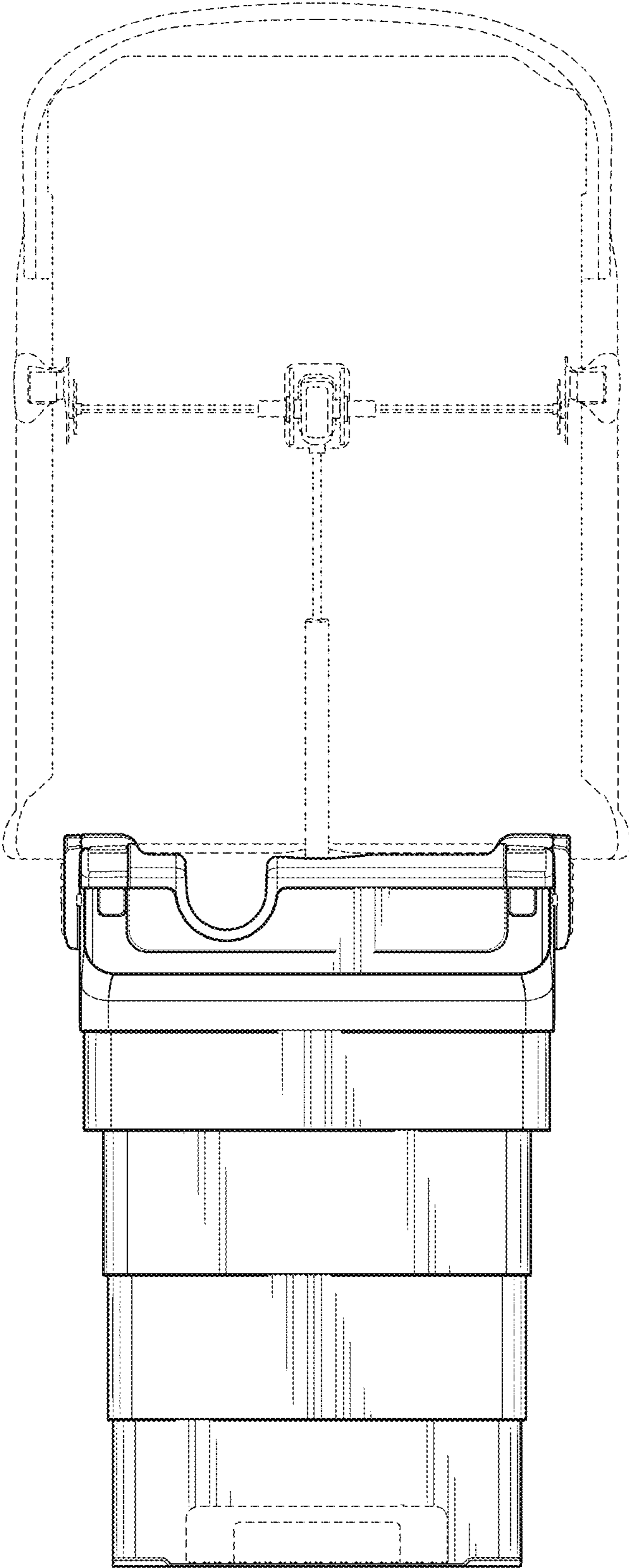


FIG. 4

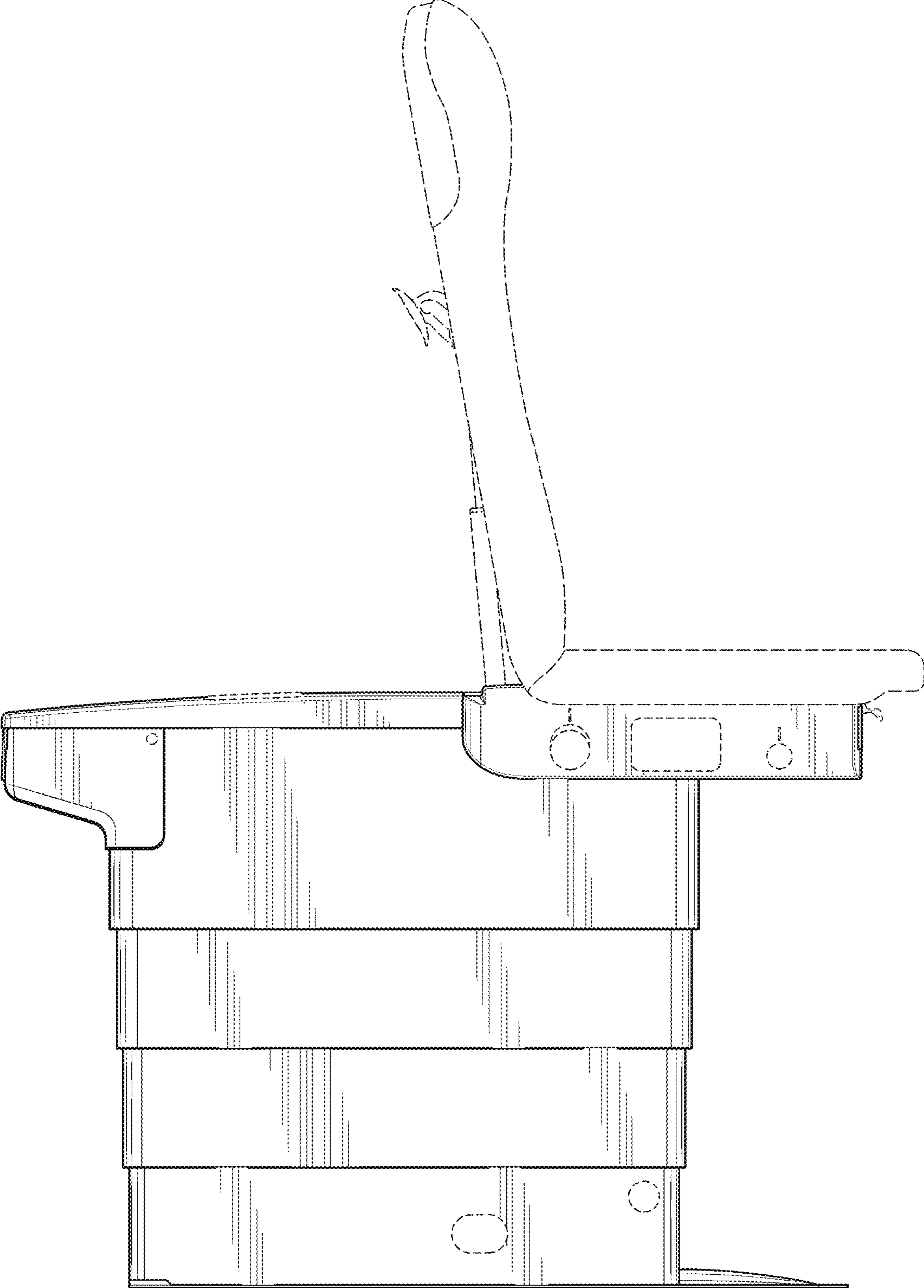


FIG. 5

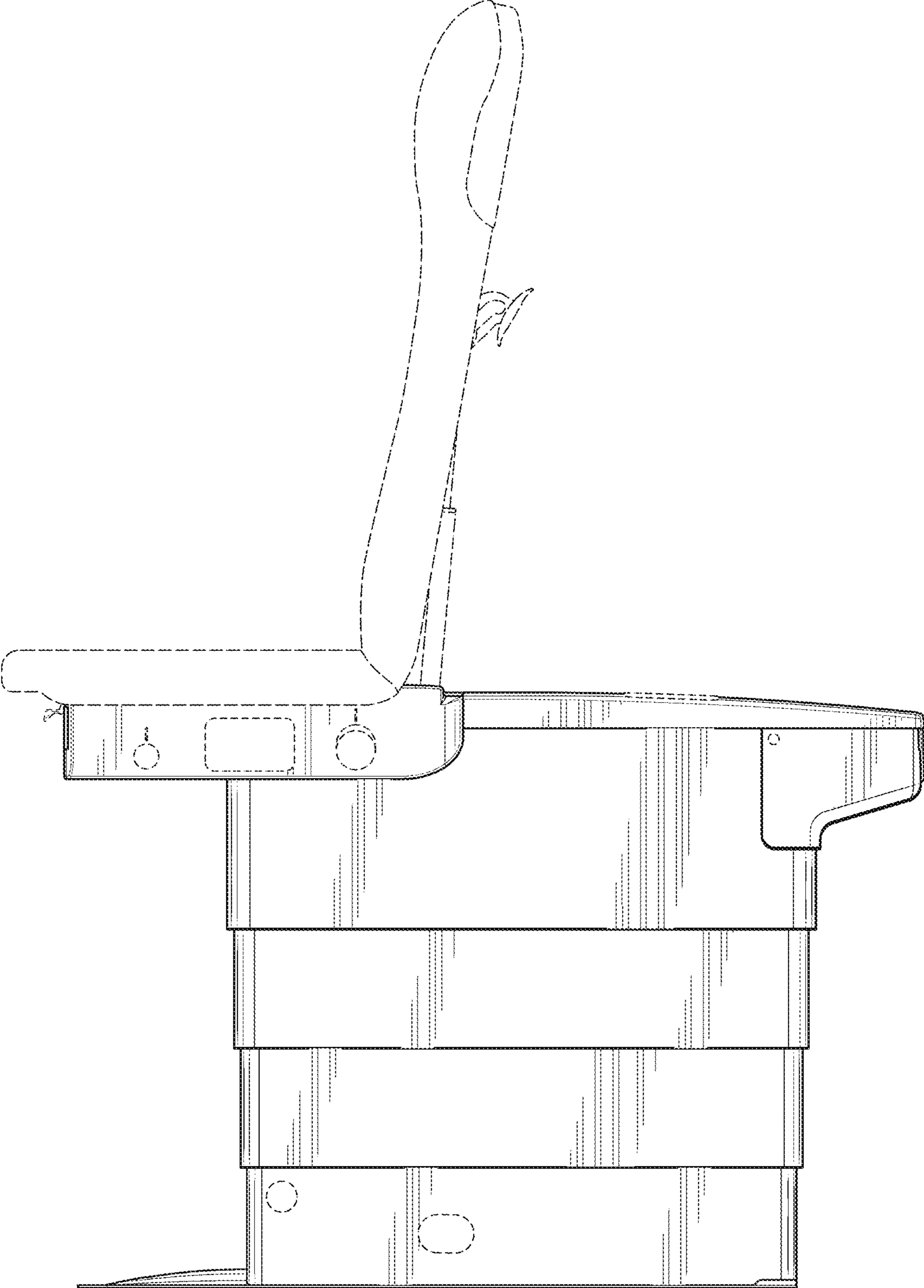


FIG. 6

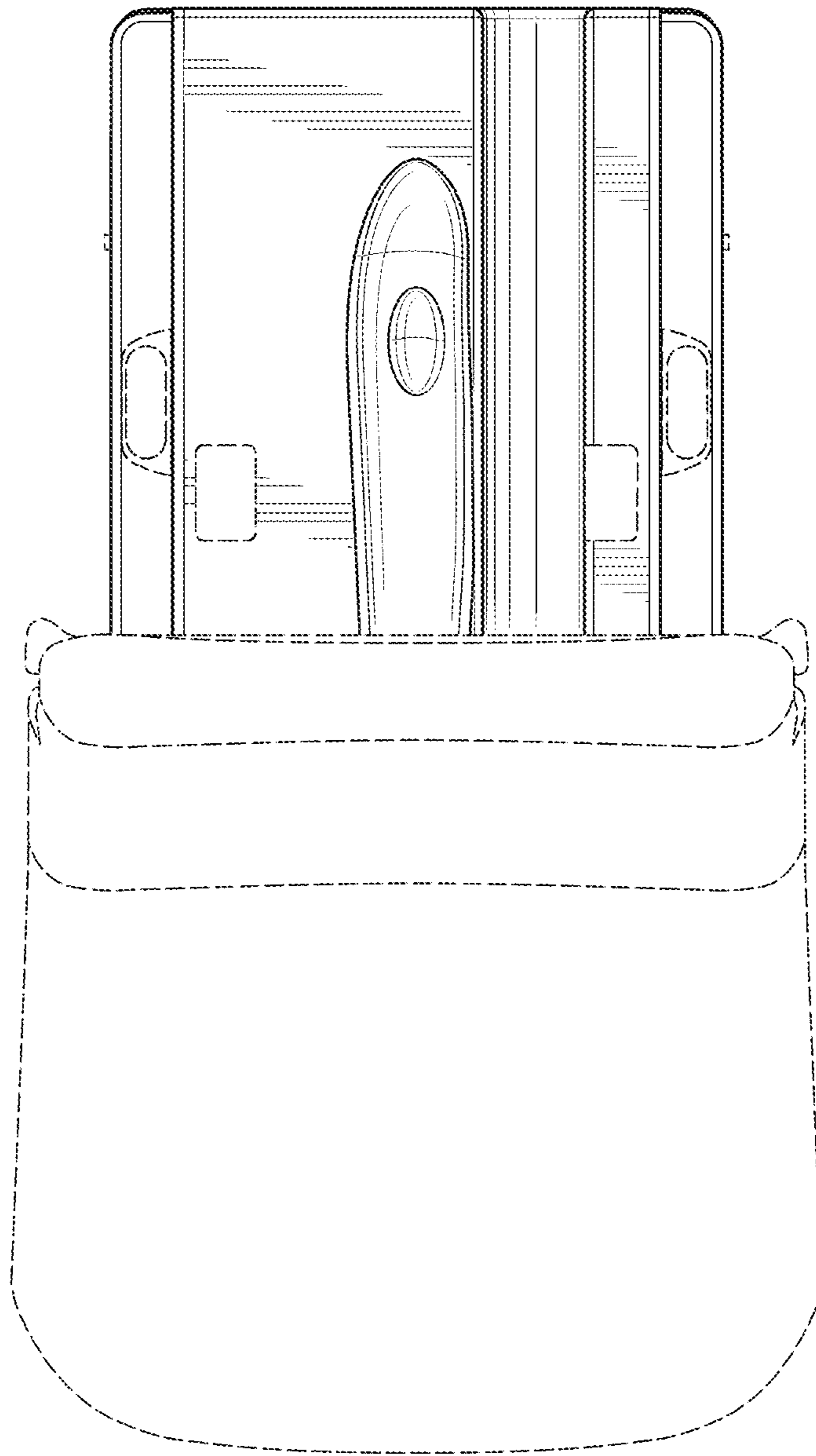


FIG. 7

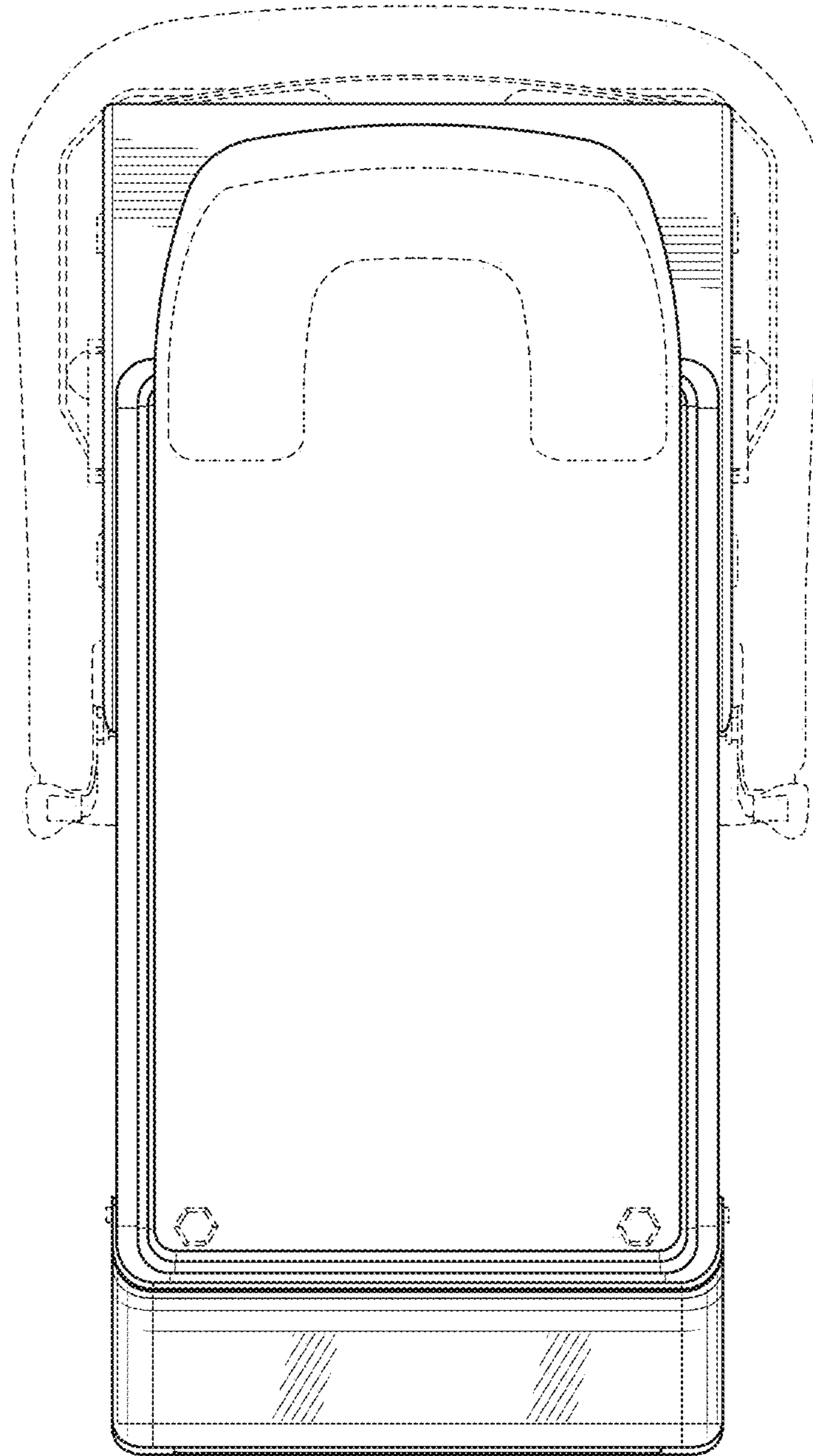


FIG. 8

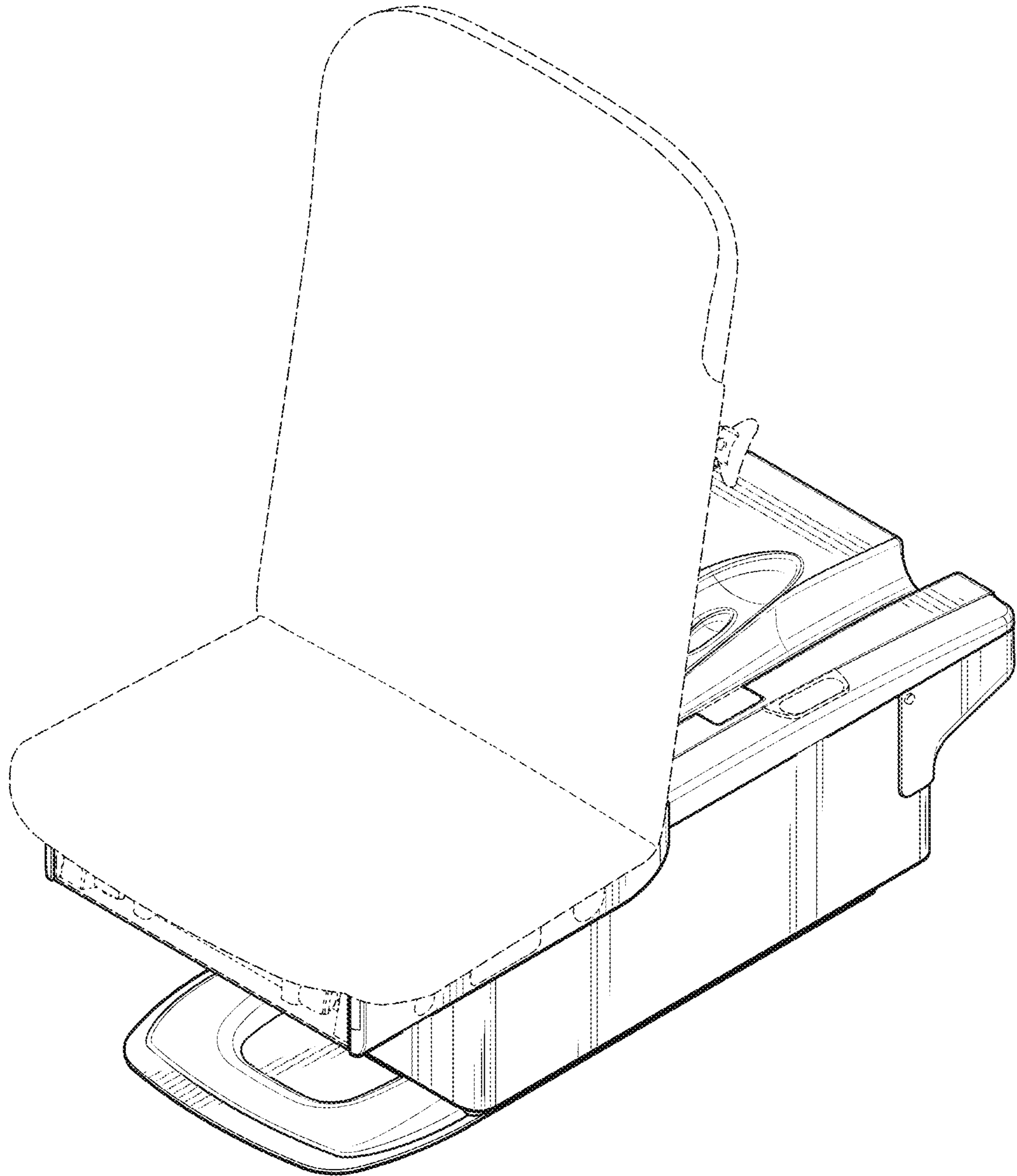


FIG. 9

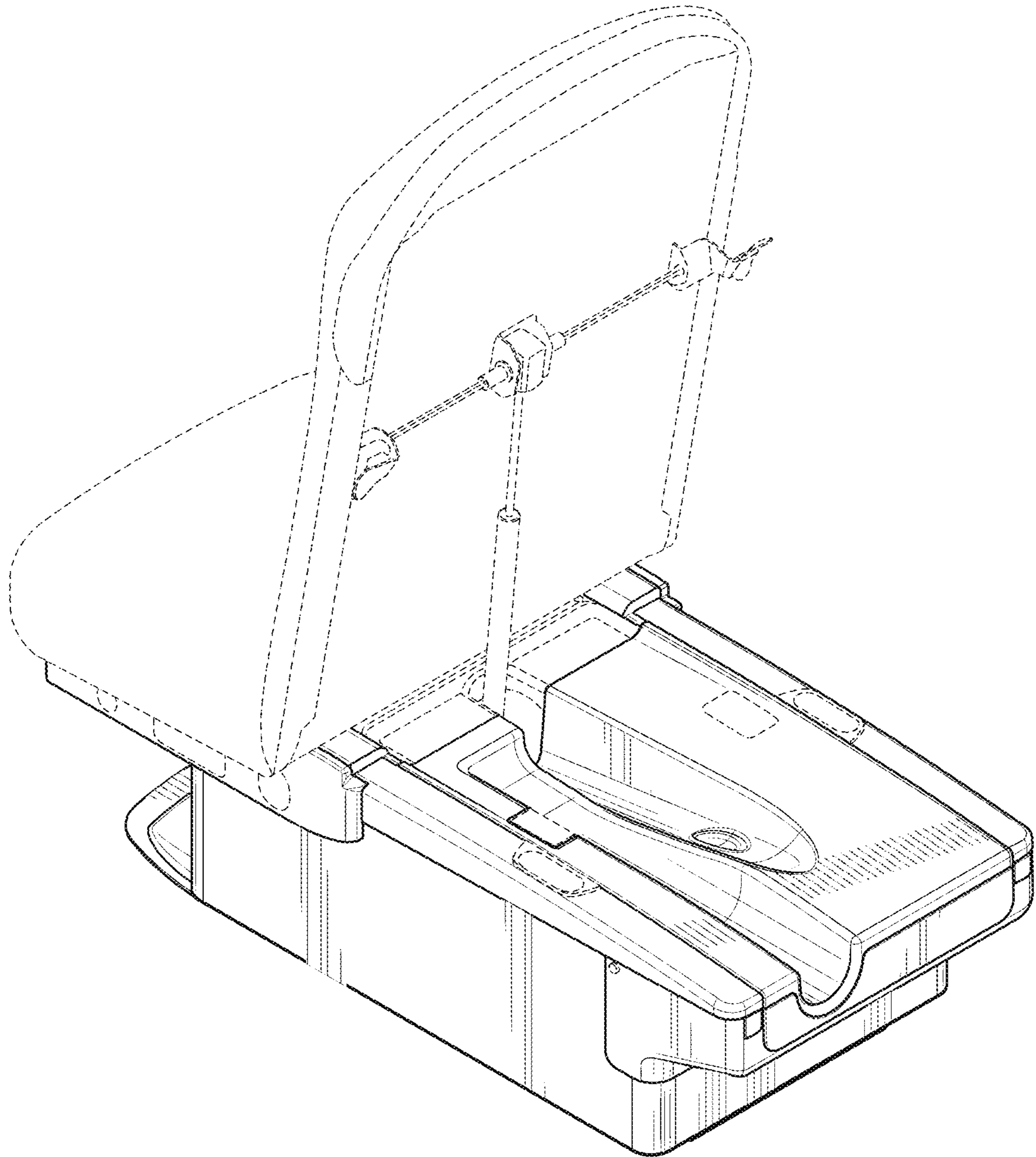


FIG. 10

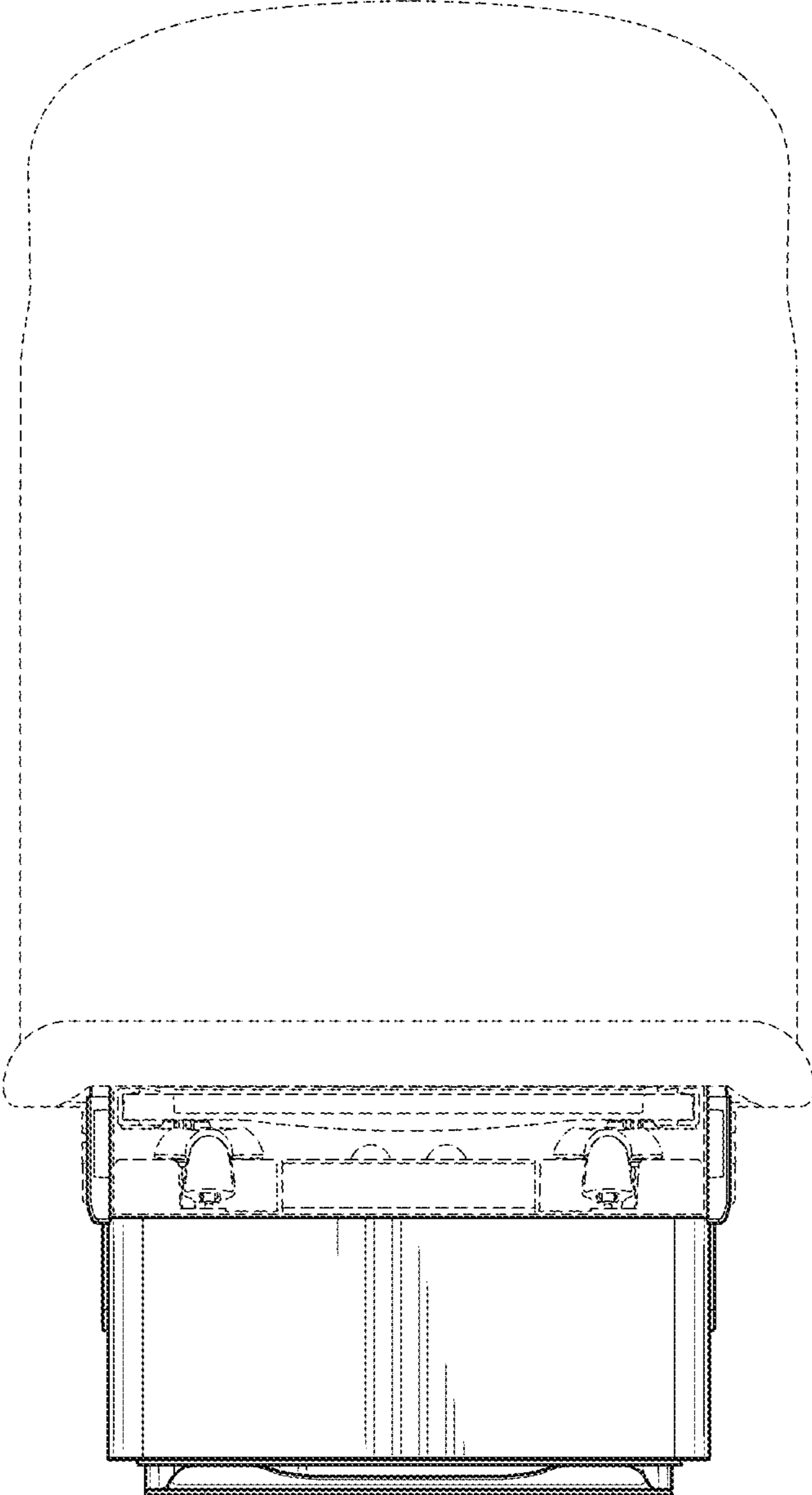


FIG. 11

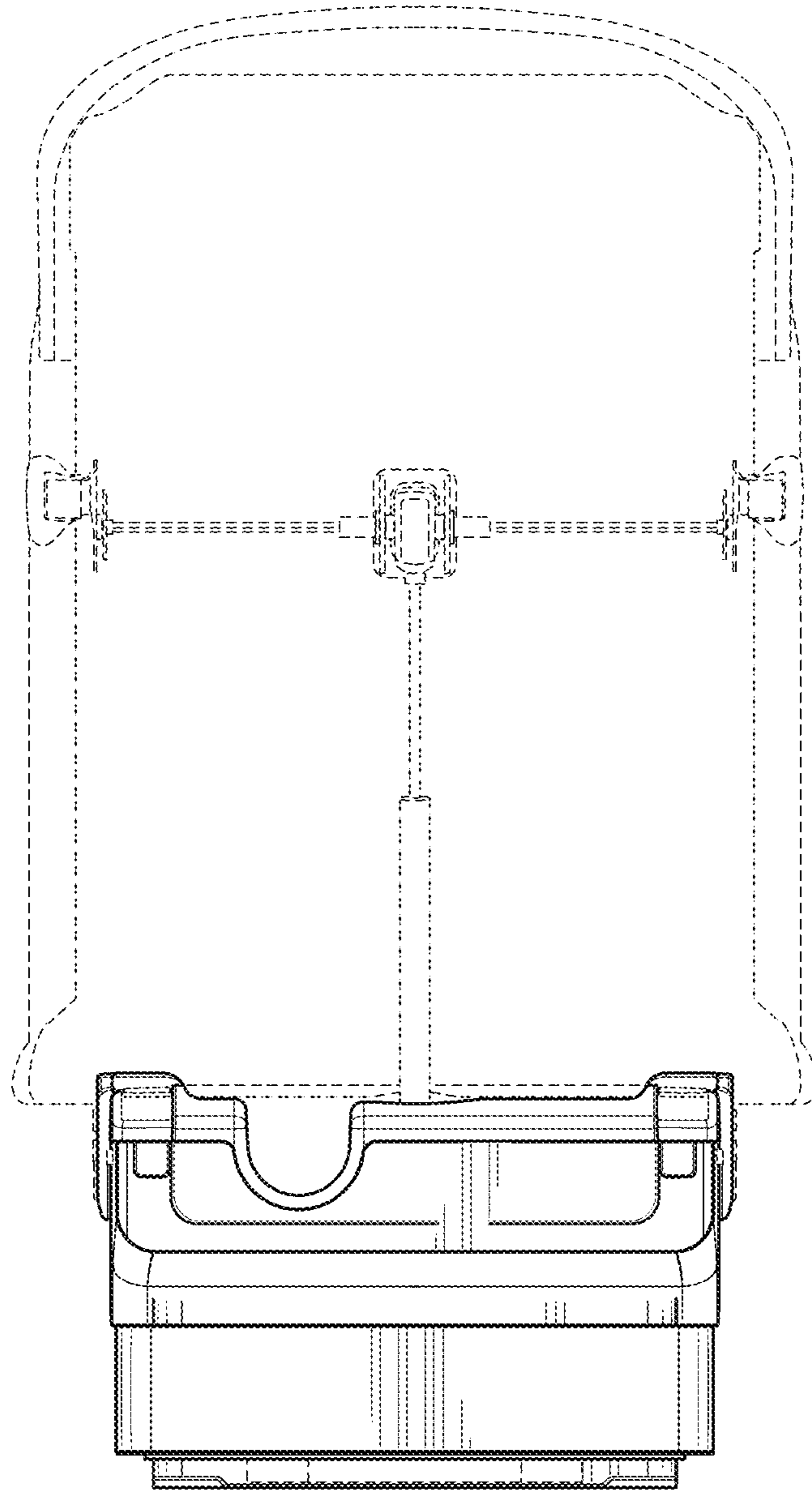


FIG. 12

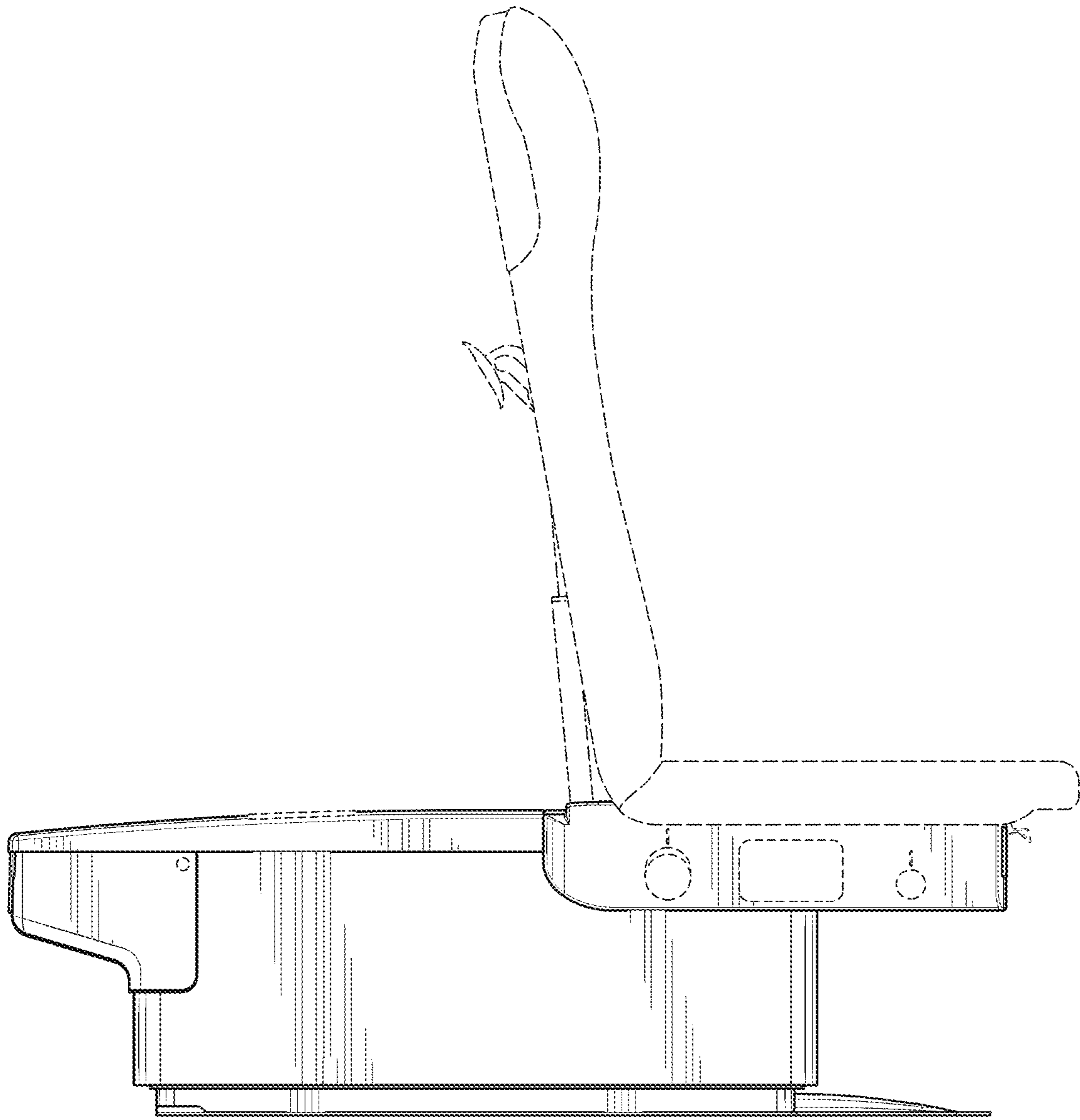


FIG. 13

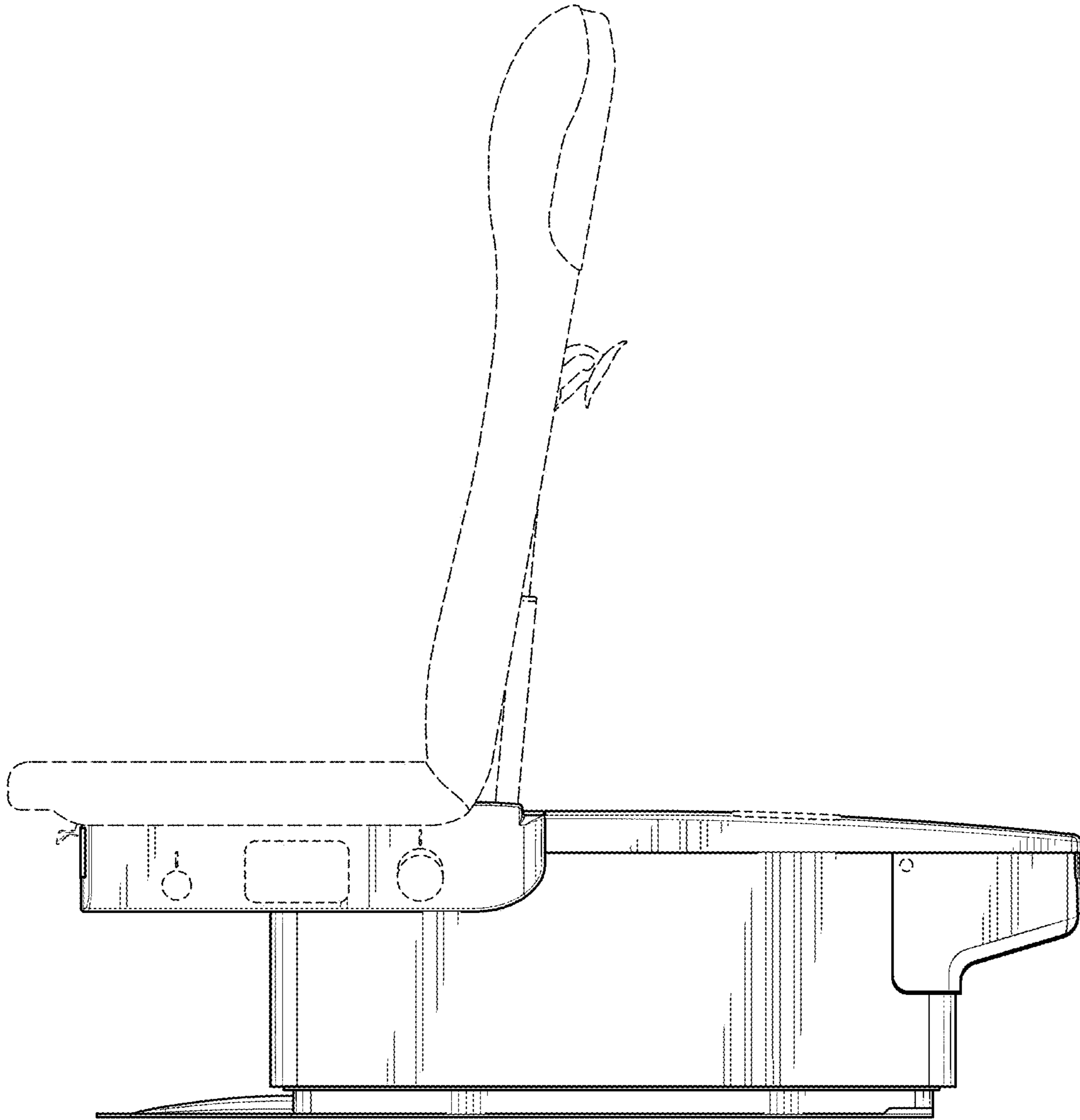


FIG. 14

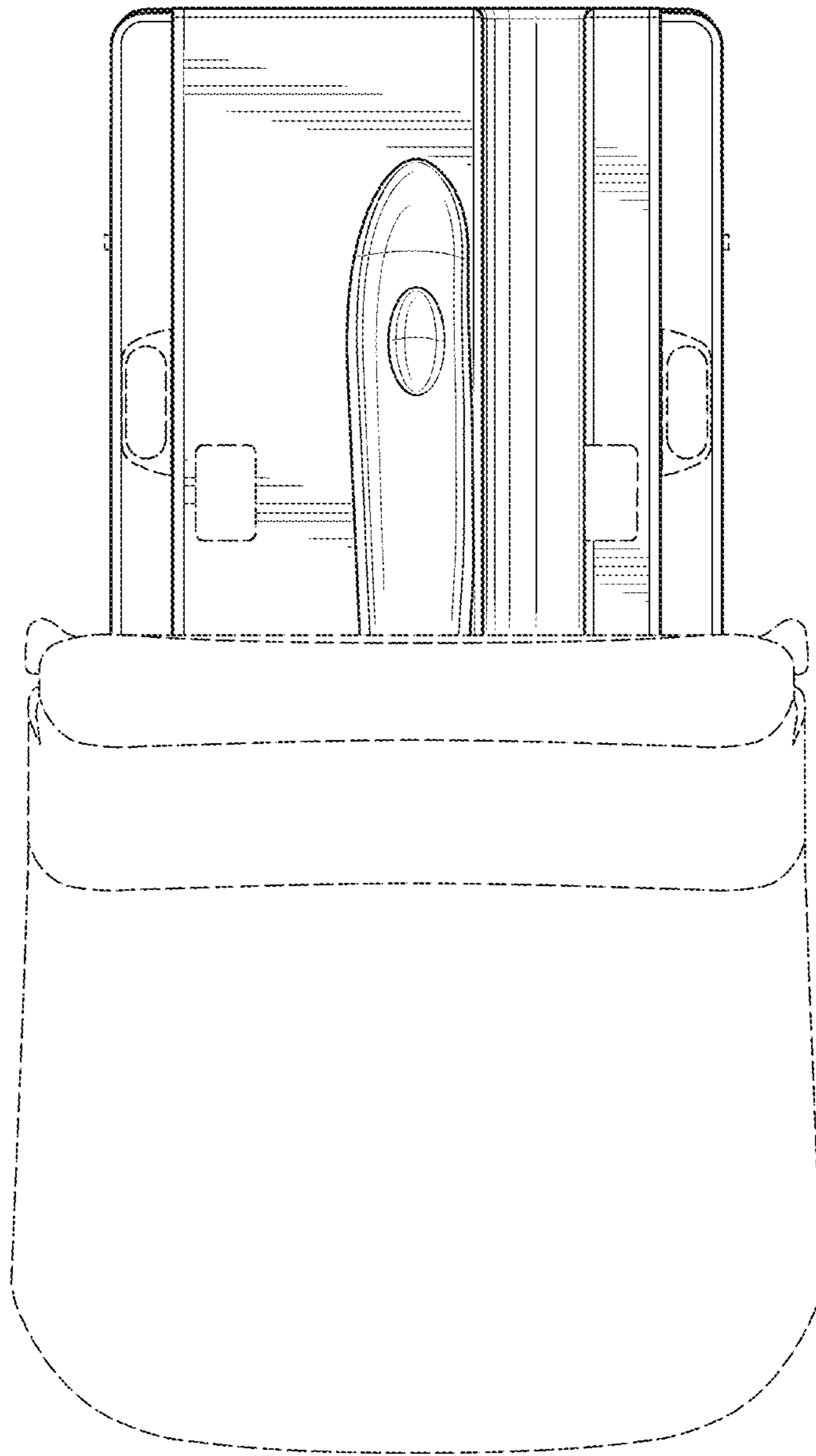


FIG. 15

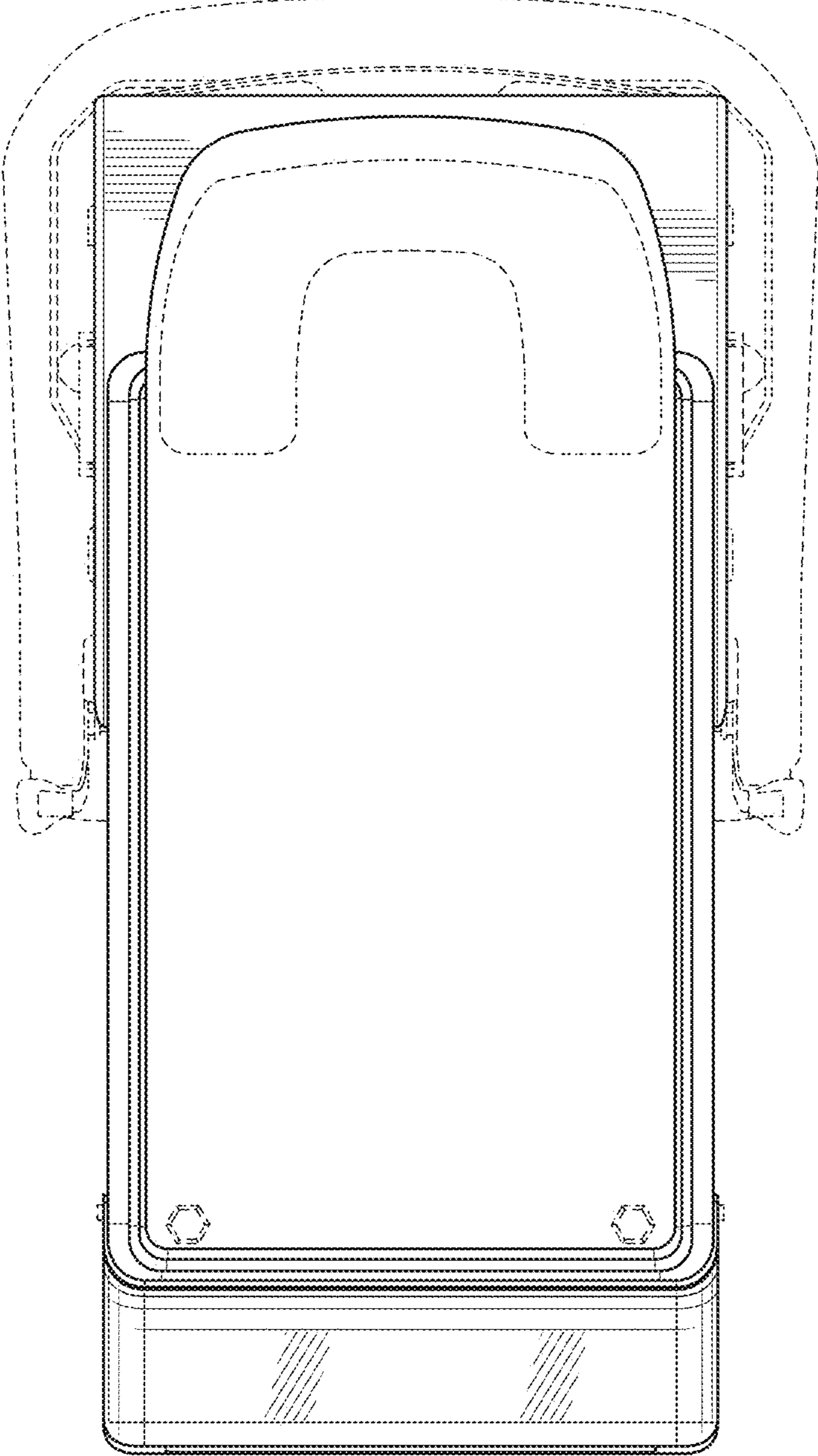


FIG. 16