



US00D899598S

(12) **United States Design Patent** (10) **Patent No.:** **US D899,598 S**
Lucio (45) **Date of Patent:** **** Oct. 20, 2020**

(54) **CPAP DEVICE**
(71) Applicant: **3B Medical, Inc.**, Winter Haven, FL (US)
(72) Inventor: **Albert A. Lucio**, Haines City, FL (US)
(73) Assignee: **3B MEDICAL, INC.**, Winter Haven, FL (US)
(**) Term: **15 Years**

4,953,546 A 9/1990 Blackmer et al.
5,014,338 A 5/1991 Glucksman
5,061,405 A 10/1991 Stanek et al.
5,111,529 A 5/1992 Glucksman
5,231,979 A 8/1993 Rose et al.
(Continued)

FOREIGN PATENT DOCUMENTS

CN 2082643 U 8/1991
CN 1432415 A 7/2003
(Continued)

(21) Appl. No.: **29/662,166**
(22) Filed: **Sep. 4, 2018**
(51) **LOC (12) Cl.** **24-02**
(52) **U.S. Cl.**
USPC **D24/164; D24/110**
(58) **Field of Classification Search**
USPC D24/164, 110, 186; D13/162
CPC ... A62B 18/006; H01M 2/1022; B01D 46/10;
A61M 15/0045; A61M 15/008; A61L
2/06
See application file for complete search history.

OTHER PUBLICATIONS

3B Medical, Inc., 2088 RESmart Auto CPAP specification sheet, May 2016.
(Continued)

Primary Examiner — Rhea Shields
(74) *Attorney, Agent, or Firm* — Carlson, Gaskey & Olds, P.C.

(57) **CLAIM**
The ornamental design for a CPAP device, as shown and described.

(56) **References Cited**

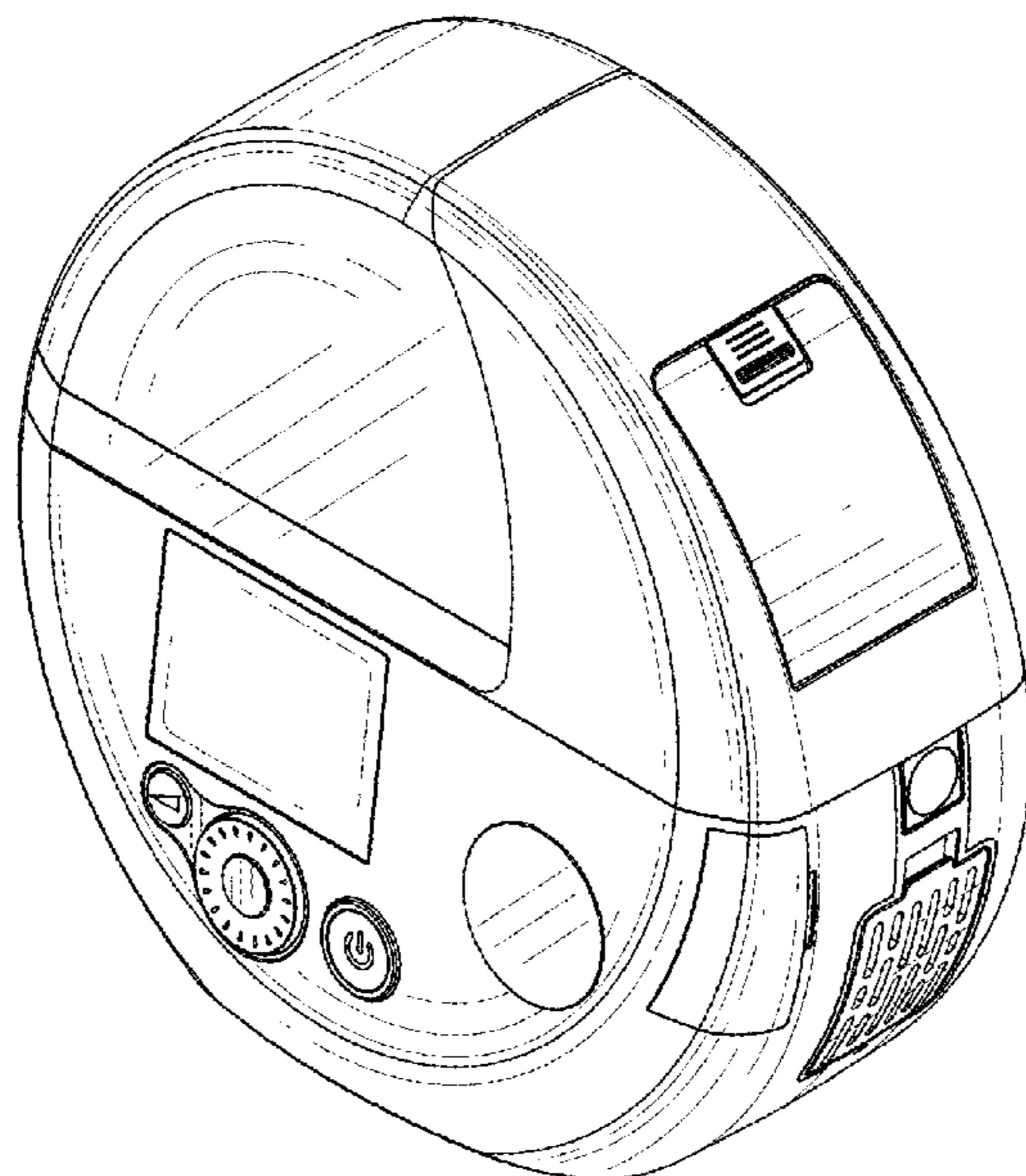
U.S. PATENT DOCUMENTS

1,085,833 A 2/1914 Wilson
2,023,324 A 12/1935 Johnson et al.
2,780,708 A 2/1957 Glynn et al.
4,051,205 A 9/1977 Grant
4,098,853 A 7/1978 Brown et al.
4,101,611 A 7/1978 Williams
4,132,883 A 1/1979 Grime
4,338,510 A 7/1982 Chihara et al.
4,588,425 A 5/1986 Usry et al.
4,714,078 A 12/1987 Paluch
4,715,998 A 12/1987 Clow
4,807,616 A 2/1989 Adahan
4,810,854 A 3/1989 Jursich et al.
4,906,417 A 3/1990 Gentry

DESCRIPTION

FIG. 1 is a front-perspective view of a CPAP device, showing my new design;
FIG. 2 is a front view of the device of FIG. 1.
FIG. 3 is a rear view of the device of FIG. 1.
FIG. 4 is a right side view of the device of FIG. 1.
FIG. 5 a left side view of the device of FIG. 1.
FIG. 6 is a top view of the device of FIG. 1.
FIG. 7 is a bottom view of the device of FIG. 1; and,
FIG. 8 is a front-perspective view thereof, shown in an environment.
In FIG. 8, the broken lines are for the purpose of illustrating environment only and form no part of the claimed design.

1 Claim, 3 Drawing Sheets



(56)

References Cited

U.S. PATENT DOCUMENTS

5,361,322 A 11/1994 Glucksman
 5,447,663 A 9/1995 Dix et al.
 5,483,616 A 1/1996 Chiu et al.
 5,537,997 A 7/1996 Mechlenburg et al.
 5,564,415 A 10/1996 Dobson et al.
 5,573,713 A 11/1996 Tomasiak et al.
 5,673,687 A 10/1997 Dobson et al.
 5,746,359 A 5/1998 Stanek et al.
 5,792,390 A 8/1998 Marino
 5,800,741 A 9/1998 Glenn et al.
 5,870,283 A 2/1999 Maeda et al.
 5,878,743 A 3/1999 Zdrojkowski et al.
 D421,298 S * 2/2000 Kenyon D24/110
 6,050,260 A 4/2000 Daniell et al.
 6,052,511 A 4/2000 Birdsell
 6,179,164 B1 1/2001 Fuchs
 6,185,095 B1 2/2001 Helot et al.
 6,189,870 B1 2/2001 Withall
 6,275,652 B1 8/2001 Chauviaux
 6,314,237 B1 11/2001 Glucksman
 6,398,197 B1 6/2002 Dickinson et al.
 6,435,180 B1 8/2002 Hewson et al.
 6,554,260 B1 4/2003 Lipscombe et al.
 D476,077 S 6/2003 Lithgow et al.
 6,718,974 B1 4/2004 Moberg
 6,769,671 B2 8/2004 Rhea et al.
 6,874,771 B2 4/2005 Birdsell et al.
 6,935,337 B2 8/2005 Virr et al.
 7,096,864 B1 8/2006 Mayer et al.
 7,111,624 B2 9/2006 Thudor et al.
 7,413,173 B2 8/2008 DiMatteo et al.
 7,478,635 B2 1/2009 Wixey et al.
 D599,744 S * 9/2009 Reedy D13/162
 7,614,398 B2 11/2009 Virr et al.
 D710,493 S * 8/2014 Wu D24/110
 D737,425 S * 8/2015 Wiczorek D24/110
 D809,129 S * 1/2018 Yang D24/110
 D810,274 S * 2/2018 Yang D24/110
 D833,023 S * 11/2018 Maletic D24/186
 D838,835 S * 1/2019 Wu D24/110
 D877,321 S * 3/2020 DiMatteo D24/110
 D883,471 S * 5/2020 Prevot D24/110
 D894,369 S * 8/2020 Salmon D24/110
 2003/0011086 A1 1/2003 Wu
 2003/0062045 A1 4/2003 Woodring et al.
 2003/0066526 A1 4/2003 Thudor et al.
 2003/0066530 A1 4/2003 Shahbazzpour et al.
 2003/0236015 A1 12/2003 Edirisuriya et al.
 2005/0247314 A1 11/2005 Virr et al.
 2006/0113690 A1 6/2006 Huddart et al.

2007/0125372 A1* 6/2007 Chen A61M 15/008
 128/200.23
 2013/0014752 A1* 1/2013 Ausen B01D 46/10
 128/201.25
 2016/0045684 A1* 2/2016 Ono A61M 15/0045
 128/203.15
 2018/0337373 A1* 11/2018 Wu H01M 2/1022
 2019/0143154 A1* 5/2019 Gangadhar A62B 18/006
 128/202.22
 2020/0222568 A1* 7/2020 Lucio A61L 2/06

FOREIGN PATENT DOCUMENTS

DE 19936499 A1 2/2001
 EP 0302958 B1 8/1987
 EP 0298367 B1 10/1993
 EP 1055431 A2 11/2000
 EP 1314446 A2 8/2002
 EP 1318307 A1 12/2002
 JP 2005287596 A 10/2005
 WO 8203326 A1 10/1982
 WO 0021602 4/2000
 WO 0027455 A1 5/2000
 WO 0110489 A2 2/2001
 WO 0220075 A2 3/2002
 WO 02066106 A1 8/2002
 WO 2004112873 A1 12/2004

OTHER PUBLICATIONS

3B Medical ,Inc., 2088 RESmart BPAP 25A Auto Bi-Level specification sheet, May 2016.
 3B Medical, Inc., 2088 RESmart CPAP specification sheet, May 2016.
 3B Medical, Inc., 3277 3B Luna: Getting to Know Your Device. www.3Bproducts.com, May 2017.
 Fisher & Paykel Healthcare, OSA Solutions, HC220 Series; HC220LE/CH221LE with Ambient Tracking PLUS. Downloaded from www.Manualslib.com. Apr. 2003.
 Respiroics Inc., REMstar Heated Humidifier manual. 1005910, LK Mar. 15, 2001.
 Respiroics Inc., Direct Home Medical, Respiroics product line and specification. KW Dec. 20, 2000.
 Fisher & Paykel Healthcare, OSA Solutions, HC210 Series; CPAP Systems Operating Manual. Part No. 185043071 Rev. A Jun. 2003. International application No. PCT/AU02/00155, priority document Title: Humidifier with Spill Protection.
 ResMed, Sullivan HumidAire; User's Instructions. BMC Medical Exhibit 1003, 1998.

* cited by examiner

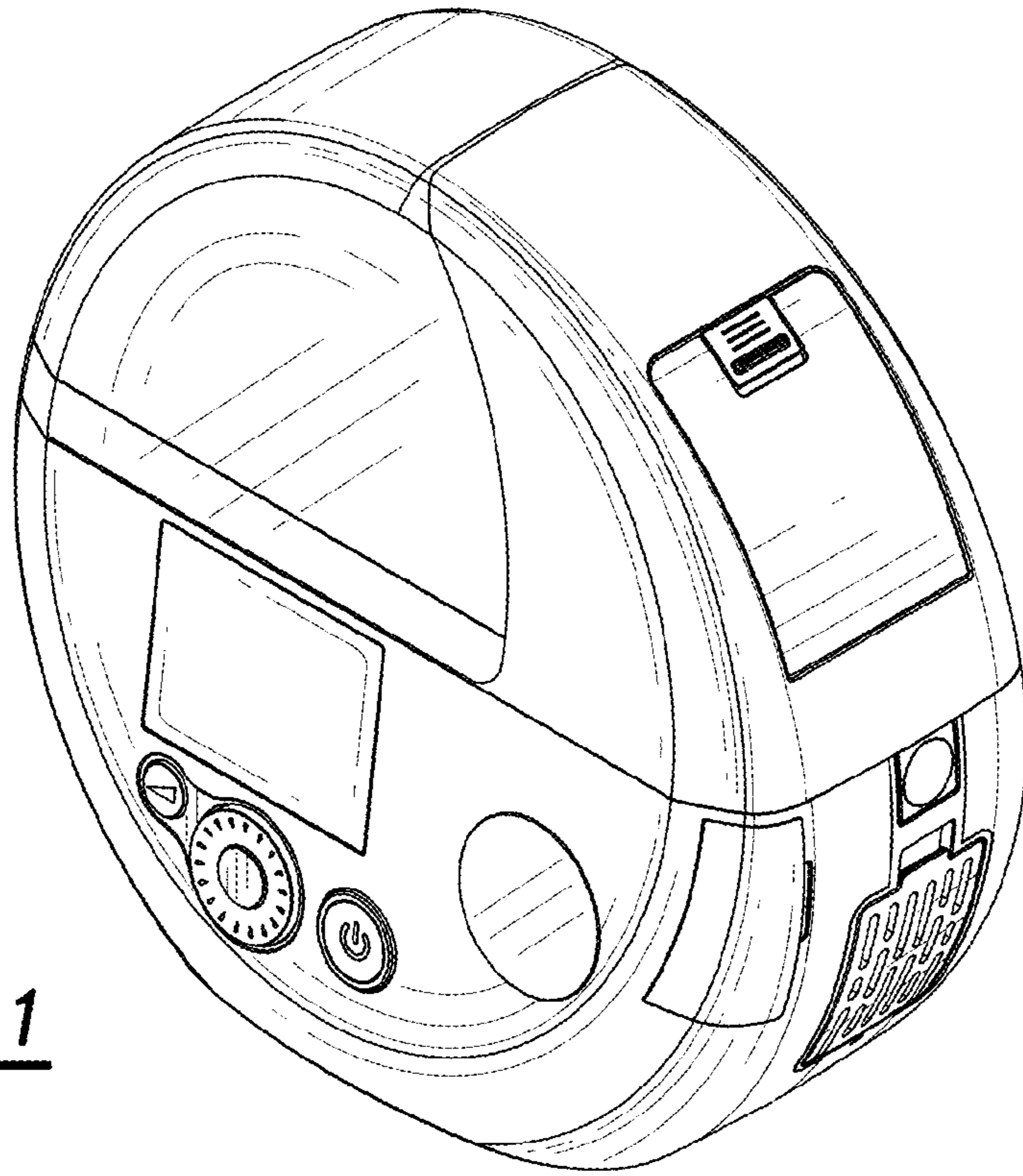


Fig-1

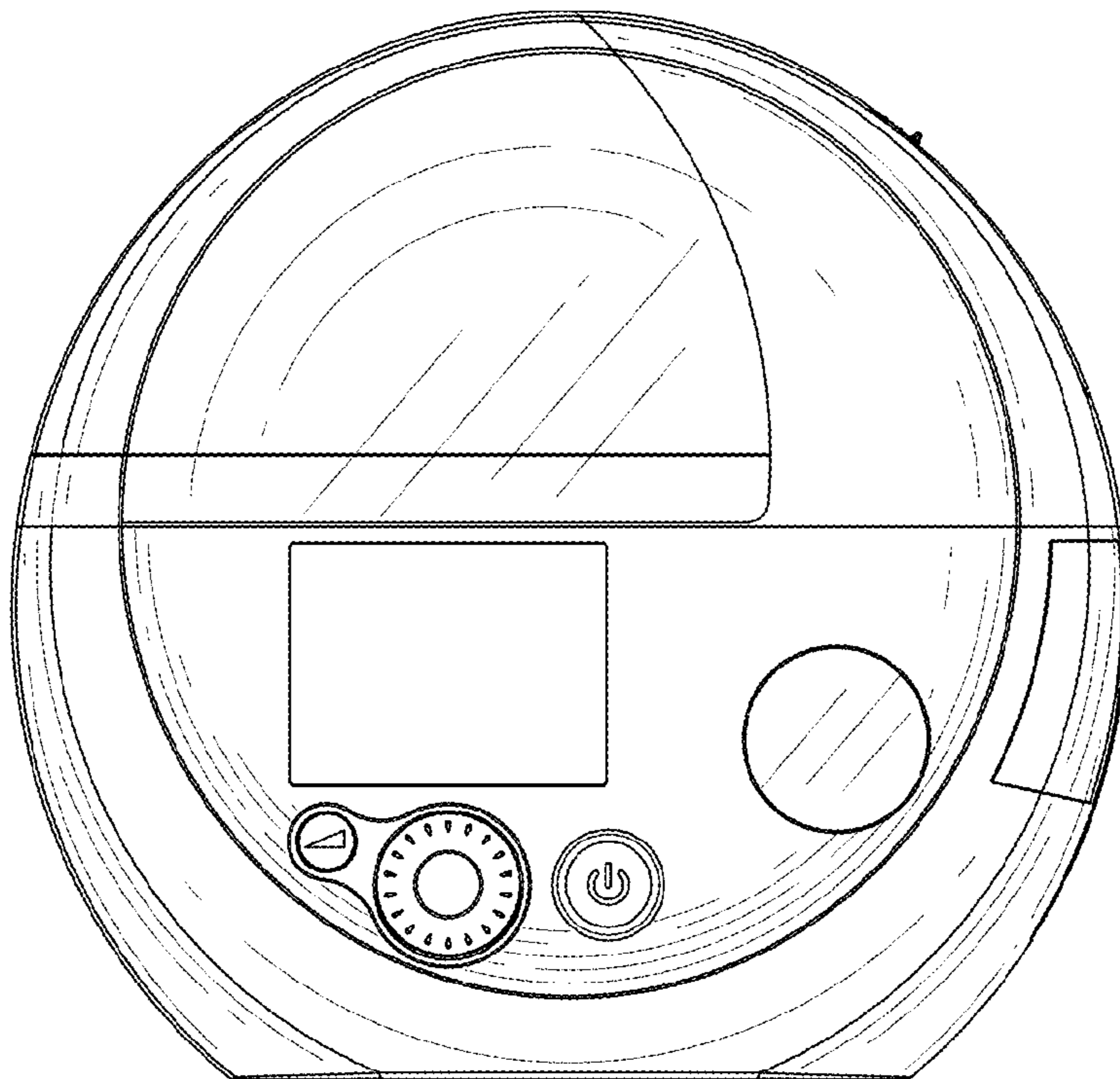


Fig-2

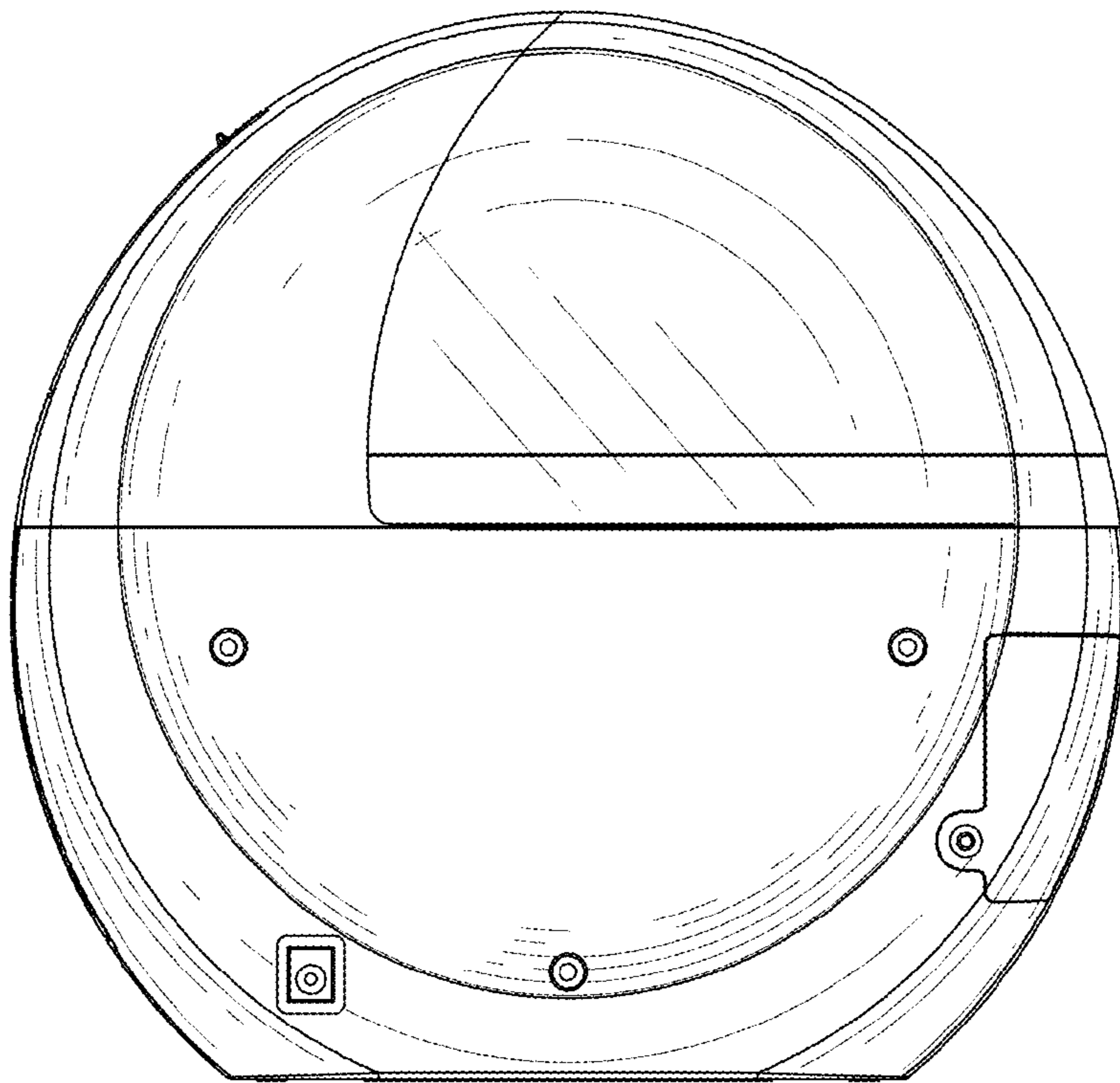


Fig-3

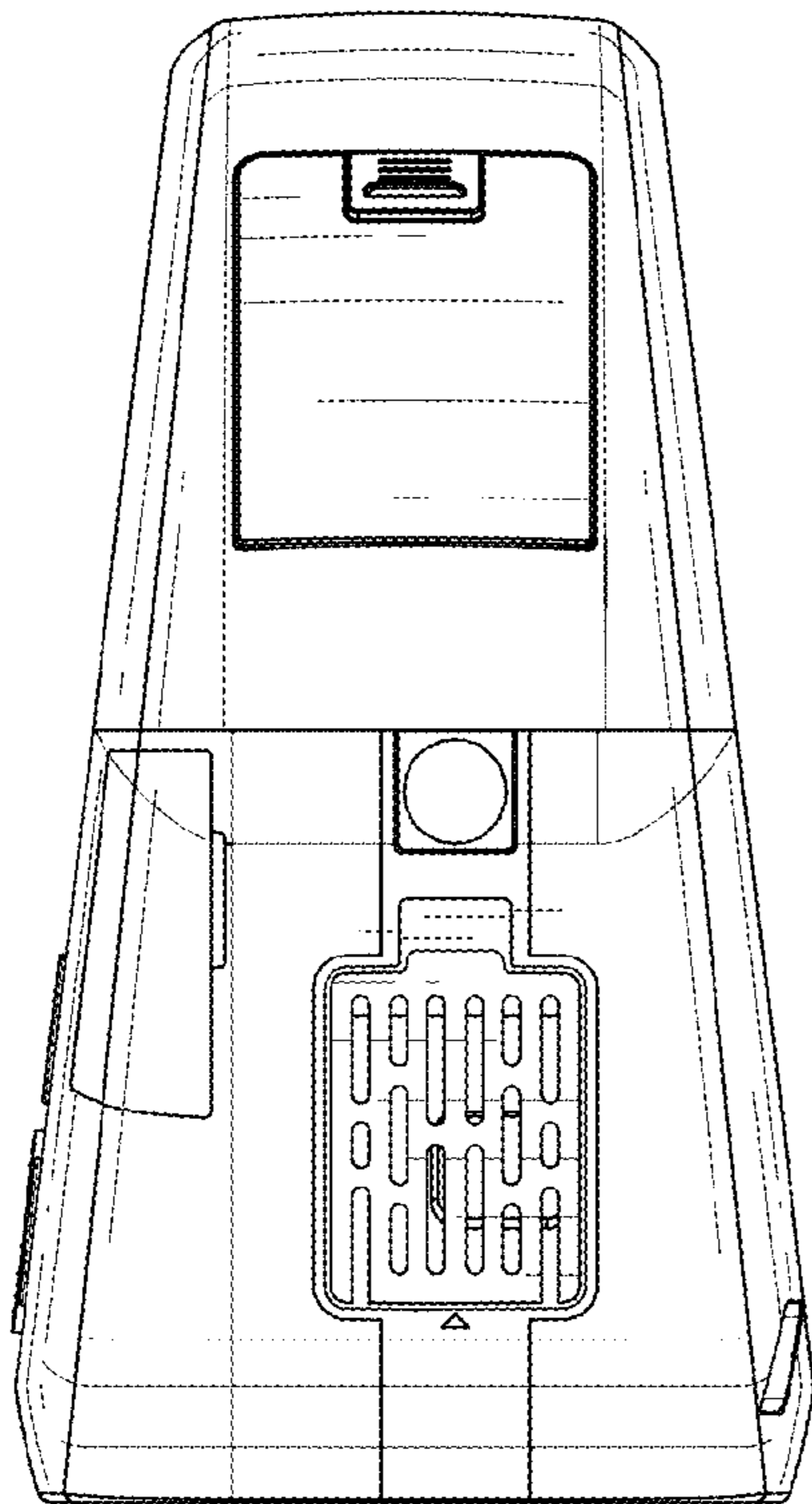


Fig-4

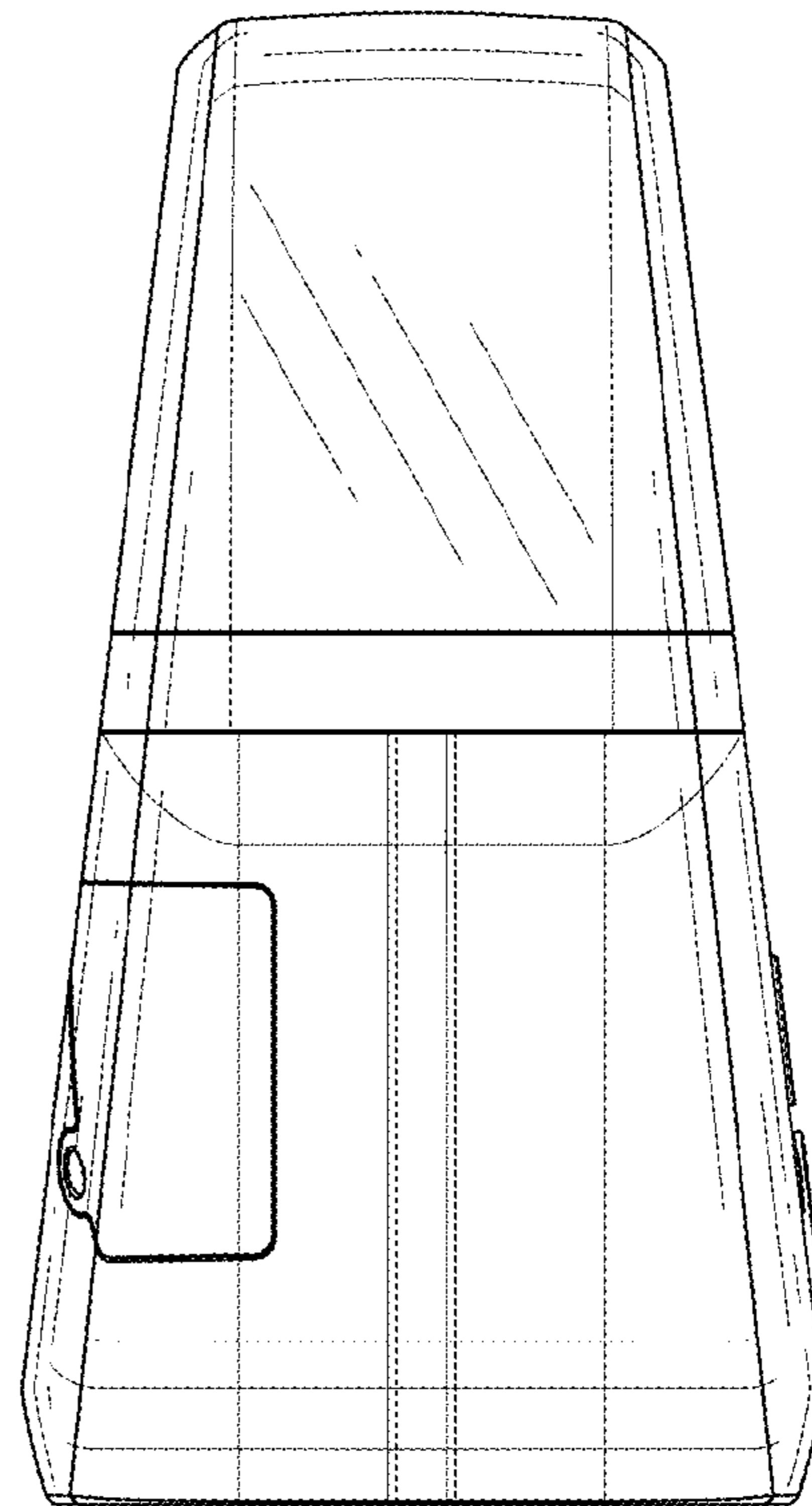


Fig-5

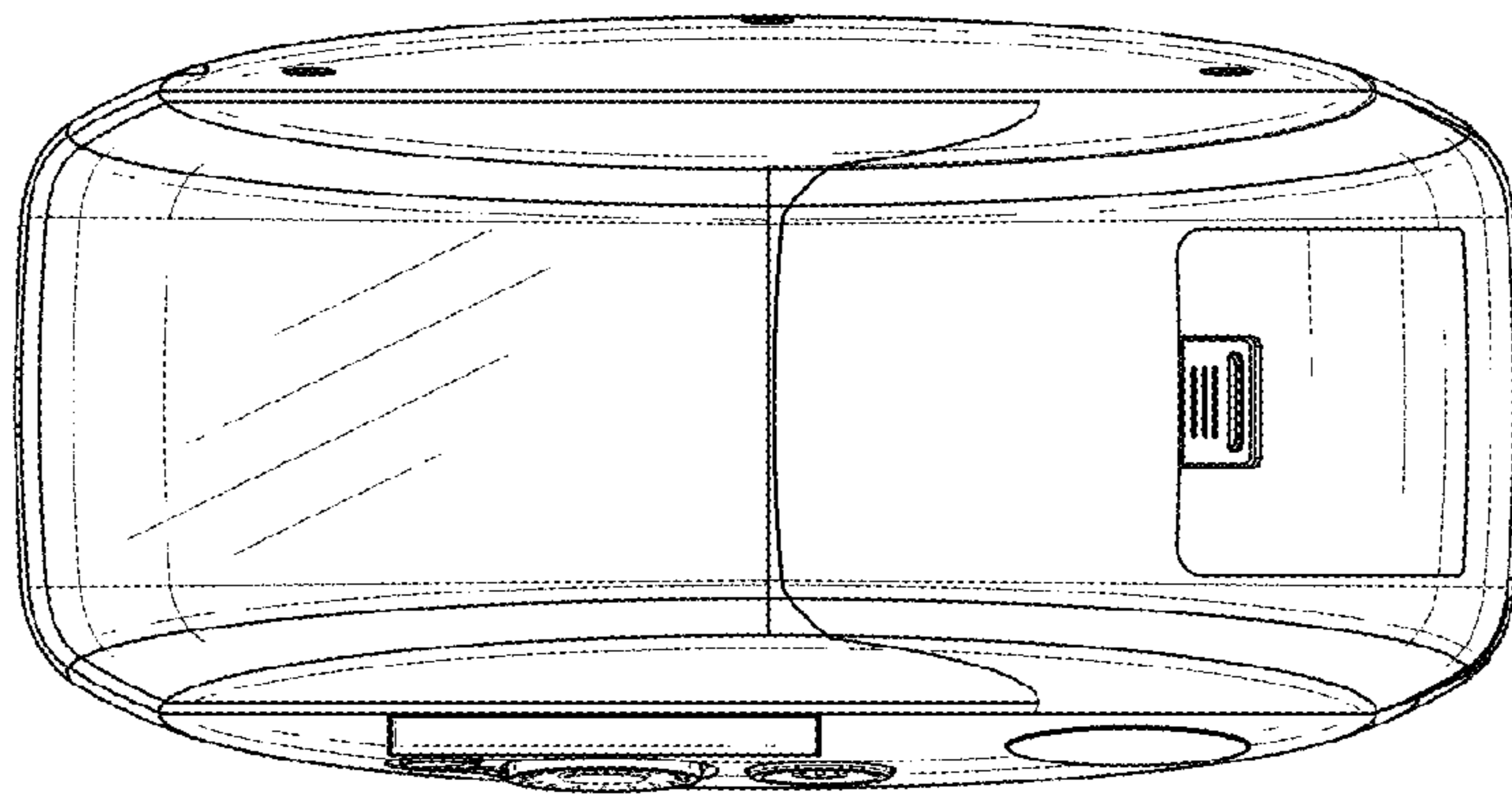


Fig-6

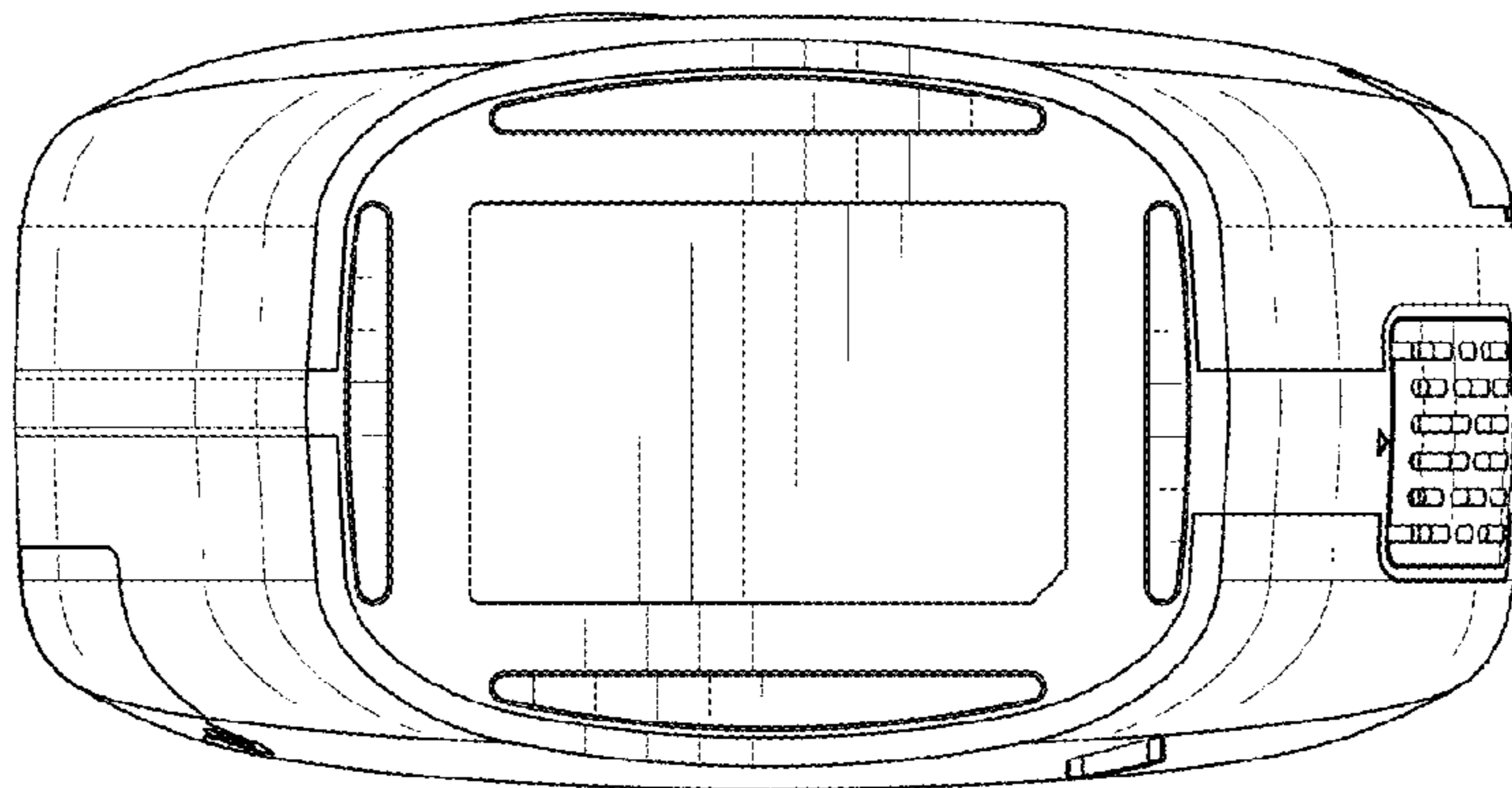


Fig-7

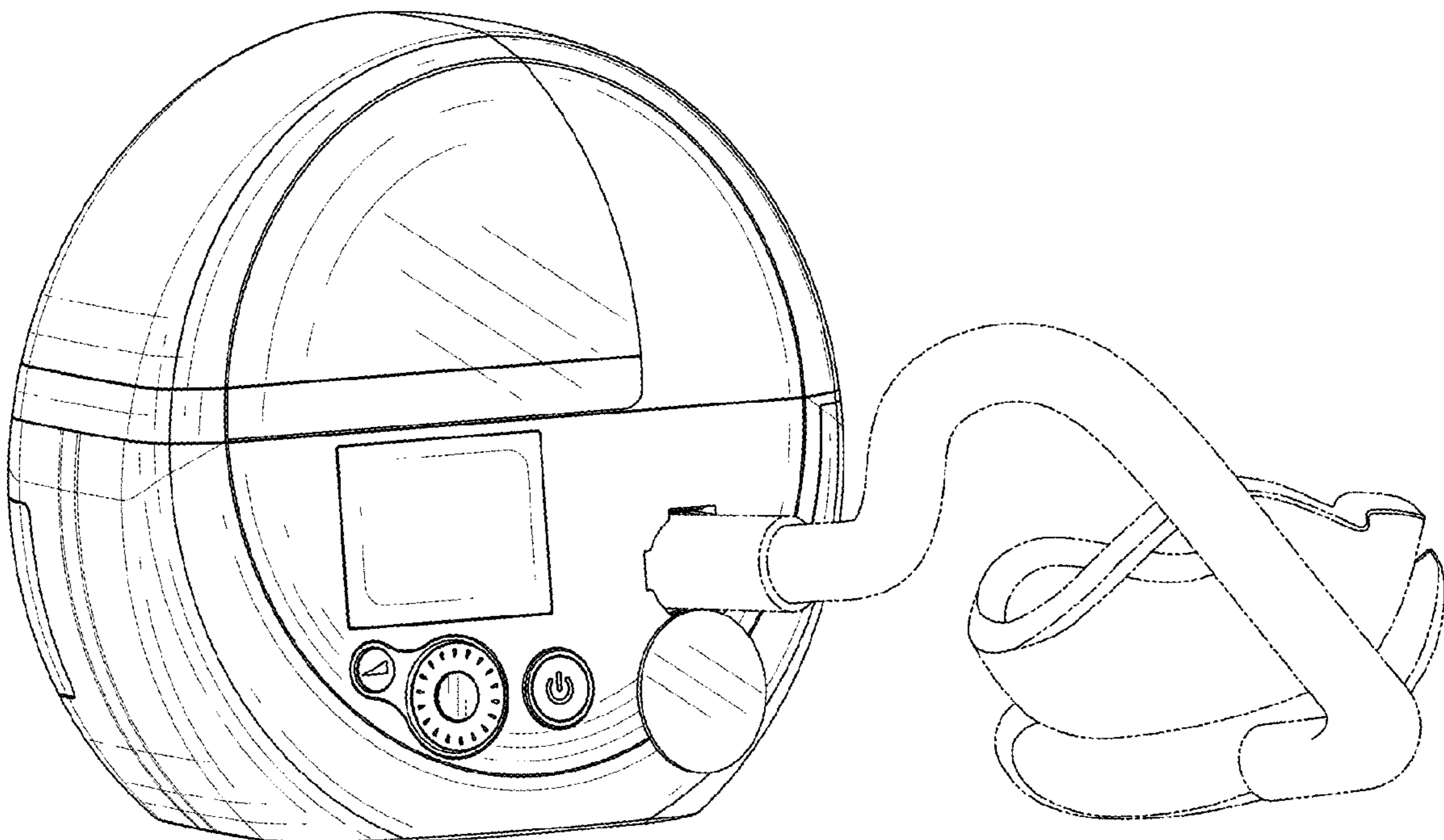


Fig-8