



US00D899595S

(12) **United States Design Patent**  
**Lin**

(10) **Patent No.:** **US D899,595 S**  
(45) **Date of Patent:** **\*\* Oct. 20, 2020**

(54) **BIPOLAR ELECTRODE FOR BLADDER SURGERY**

(71) Applicant: **SIMAI CO., LTD.**, Zhuhai, Guangdong (CN)

(72) Inventor: **Min Lin**, Guangdong (CN)

(73) Assignee: **SIMAI CO., LTD.**, Zhuhai (CN)

(\*\*) Term: **15 Years**

(21) Appl. No.: **29/685,552**

(22) Filed: **Mar. 28, 2019**

(30) **Foreign Application Priority Data**

Feb. 3, 2019 (CN) ..... 2019 3 0060918

(51) **LOC (12) Cl.** ..... **24-02**

(52) **U.S. Cl.**  
USPC ..... **D24/144**

(58) **Field of Classification Search**  
USPC ..... D24/144, 176-147, 155, 180; D8/370, D8/14; 248/302; 606/45-47, 49  
CPC ..... A61B 18/174; A61B 18/1402; A61B 18/1485; A61B 18/149; A61B 2018/126; A61B 2018/1495; A61B 2018/1497  
See application file for complete search history.

(56) **References Cited**

**U.S. PATENT DOCUMENTS**

5,196,011 A \* 3/1993 Korth ..... A61B 18/149 606/46  
5,480,397 A \* 1/1996 Eggers ..... A61B 18/1482 606/28

5,569,244 A \* 10/1996 Hahnen ..... A61B 18/1485 606/46  
5,746,746 A \* 5/1998 Garito ..... A61B 18/14 606/45  
D401,338 S \* 11/1998 Manzie ..... D24/144  
6,395,001 B1 \* 5/2002 Ellman ..... A61B 18/1402 606/41  
7,429,262 B2 \* 9/2008 Woloszko ..... A61B 18/1402 606/46  
D629,100 S \* 12/2010 Doll ..... D24/144  
D709,613 S \* 7/2014 Wittke ..... D24/144  
D712,032 S \* 8/2014 Wittke ..... D24/144  
D724,210 S \* 3/2015 Wittke ..... D24/144  
2007/0250012 A1 \* 10/2007 Lu ..... A61B 18/14 604/168.01

\* cited by examiner

*Primary Examiner* — Wan Laymon

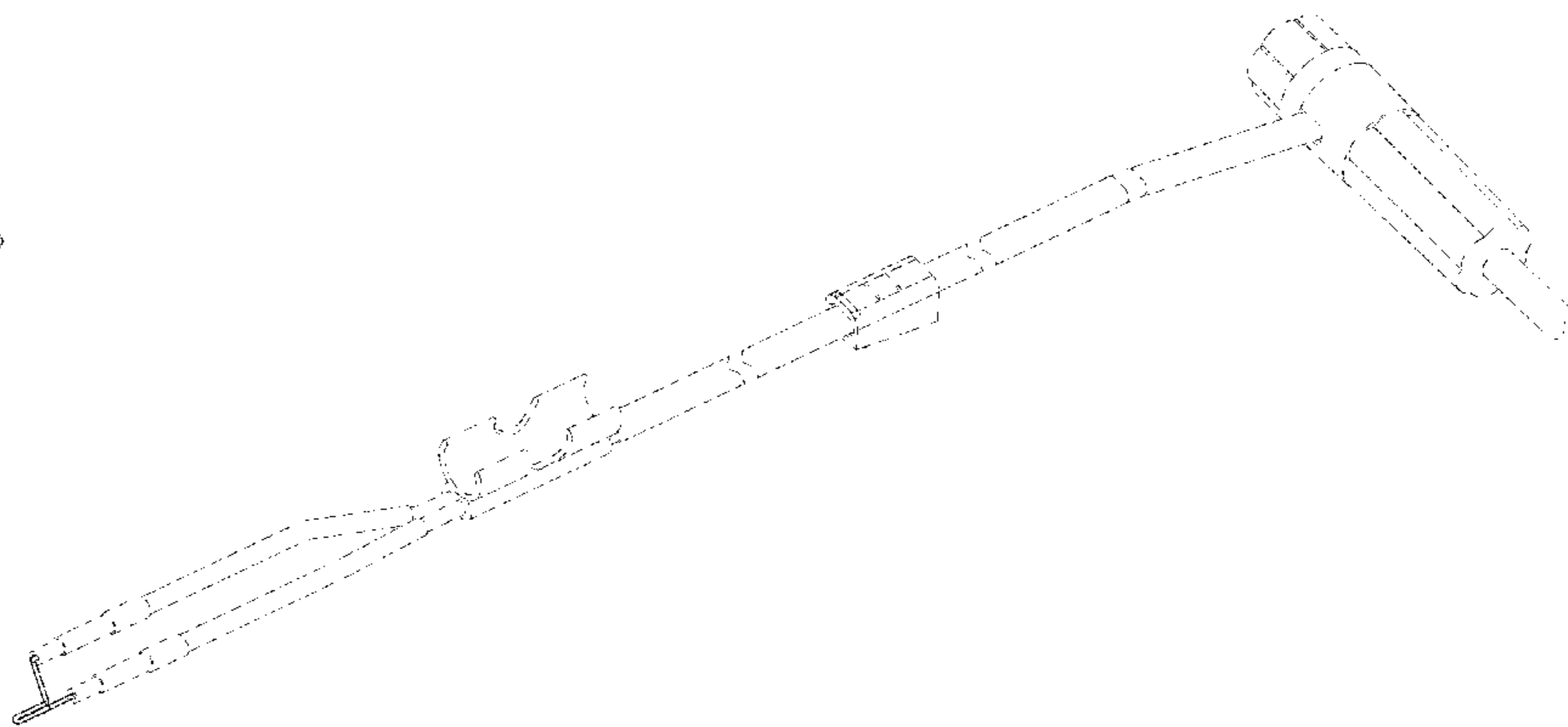
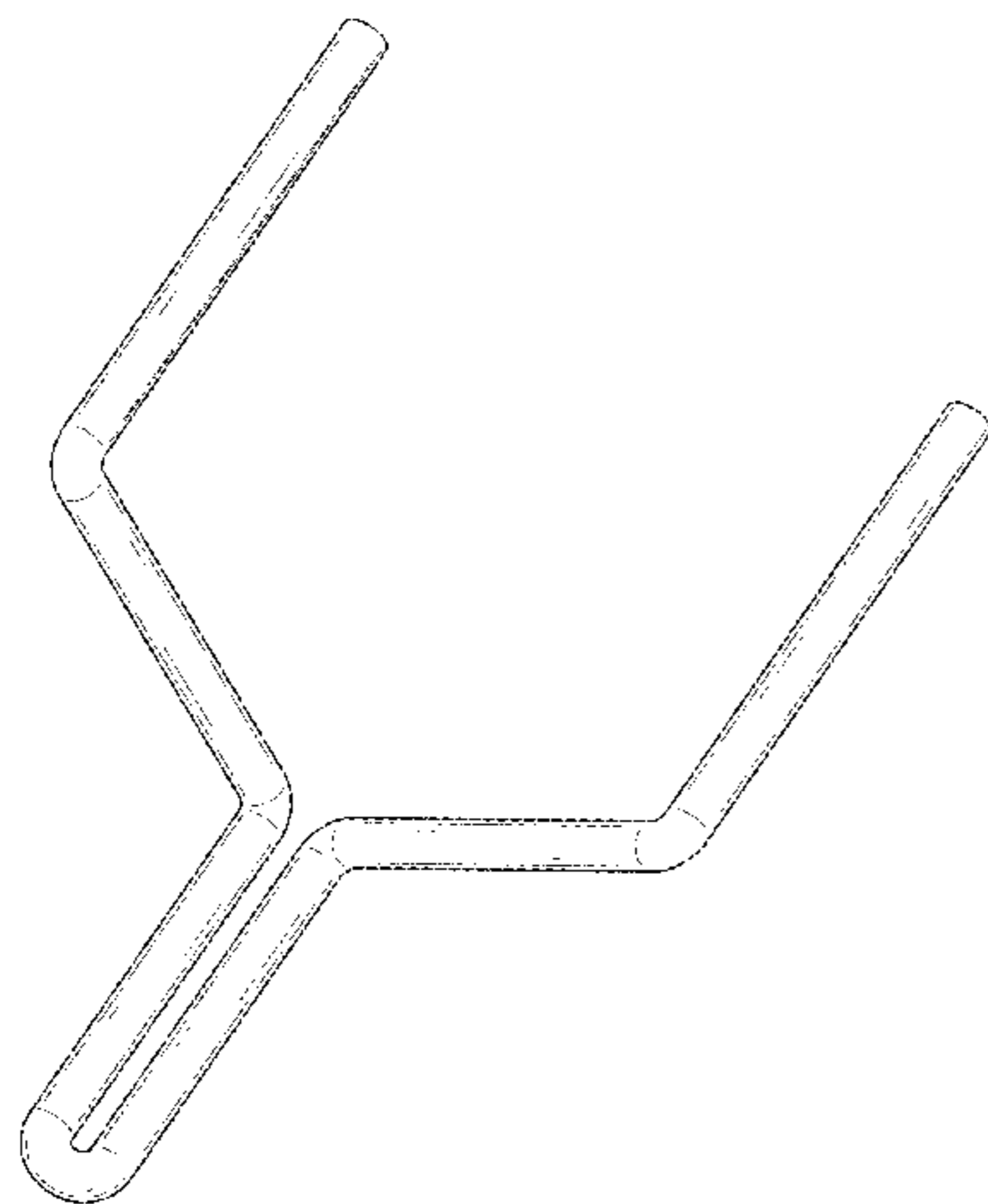
(57) **CLAIM**

The ornamental design for a bipolar electrode for bladder surgery, as shown and described.

**DESCRIPTION**

FIG. 1 is a front elevational view of a bipolar electrode for bladder surgery showing my new design;  
FIG. 2 is a rear elevational view thereof;  
FIG. 3 is a left side view thereof;  
FIG. 4 is a right side view thereof;  
FIG. 5 is a top plan view thereof;  
FIG. 6 is a bottom plan view thereof;  
FIG. 7 is a front perspective view thereof; and,  
FIG. 8 is a perspective view showing the bipolar electrode for bladder surgery in a use state.  
The broken lines in the drawings illustrate environmental subject matters that form no part of the claimed design.

**1 Claim, 8 Drawing Sheets**



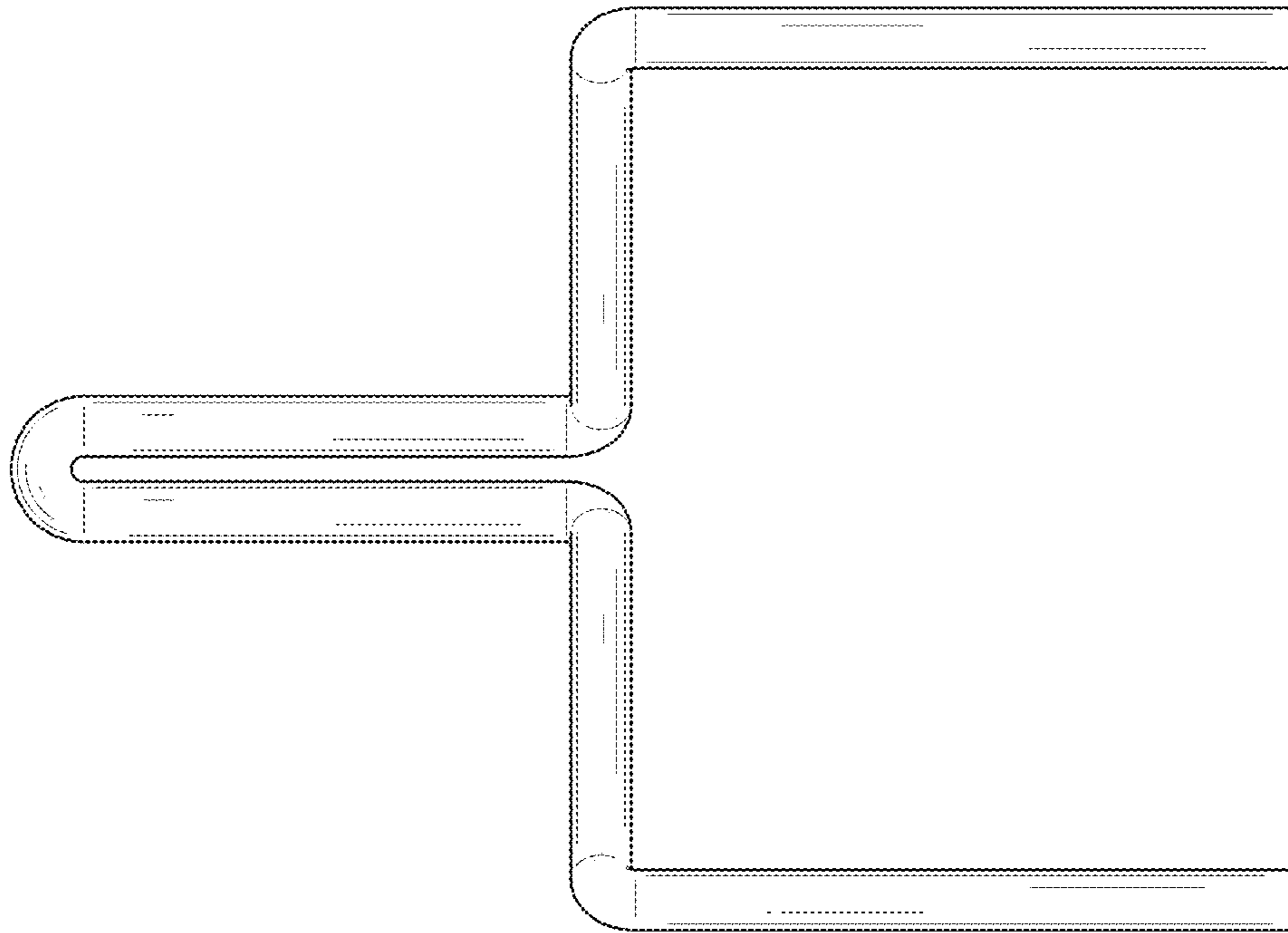


FIG. 1

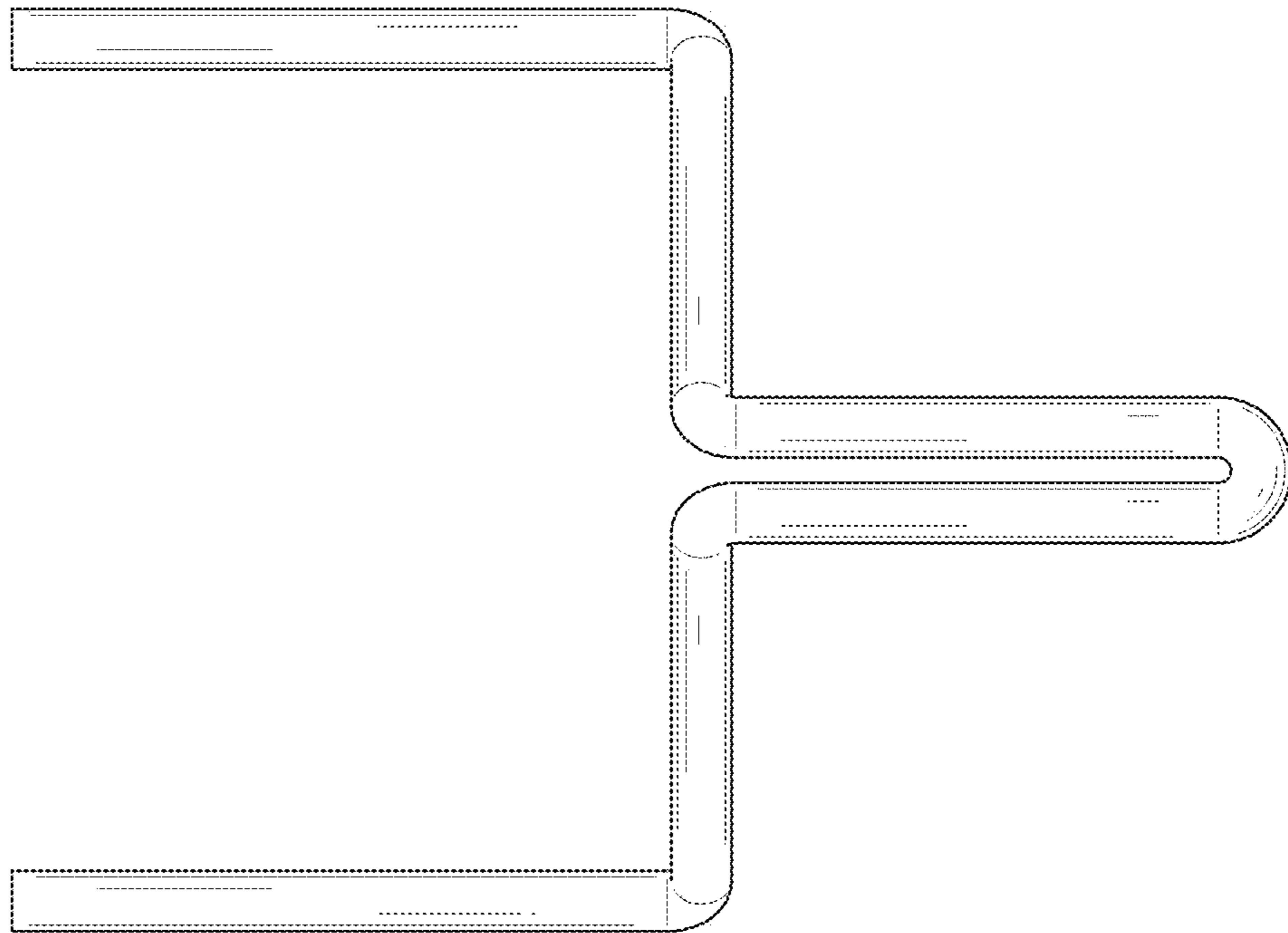


FIG. 2

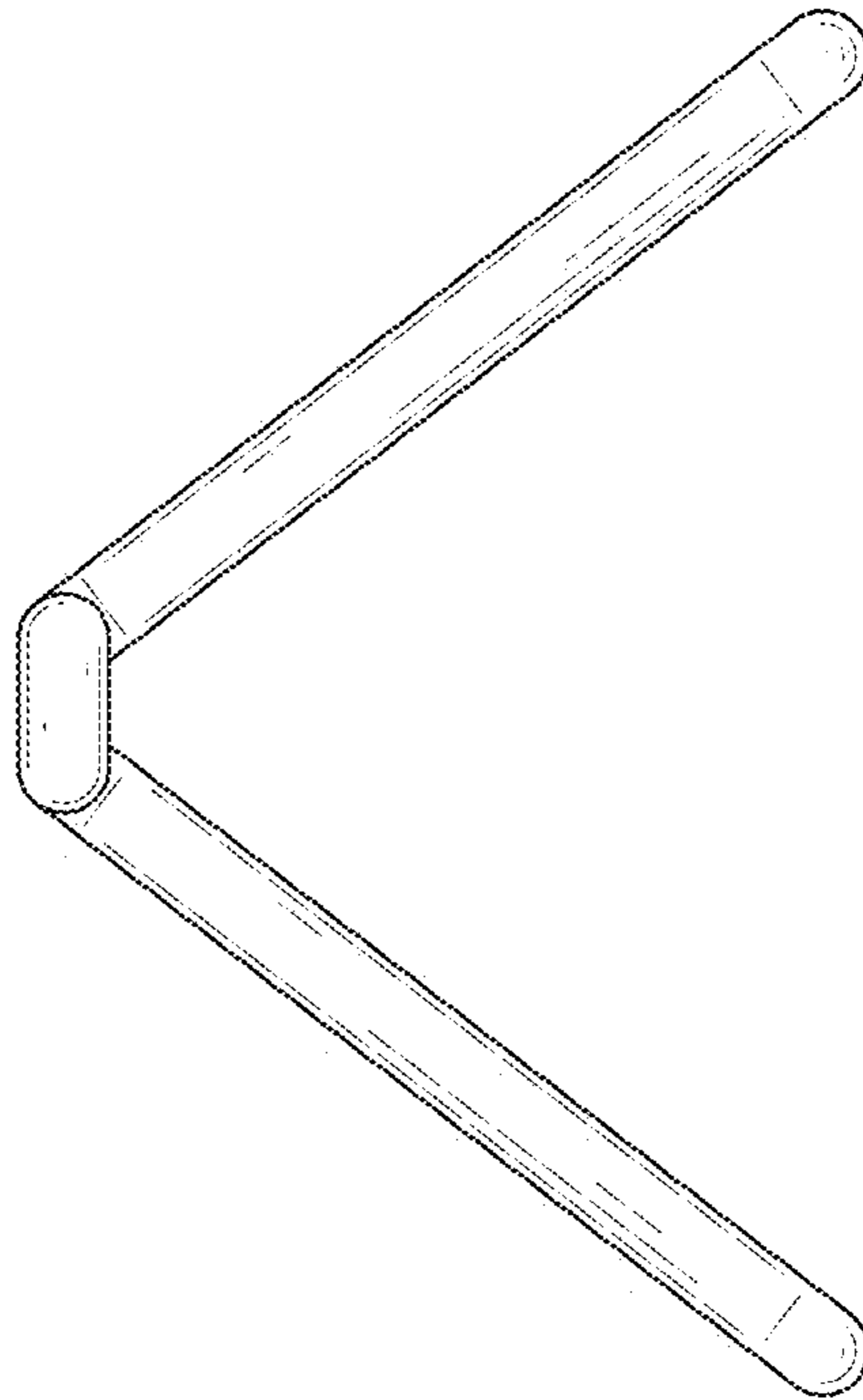


FIG. 3

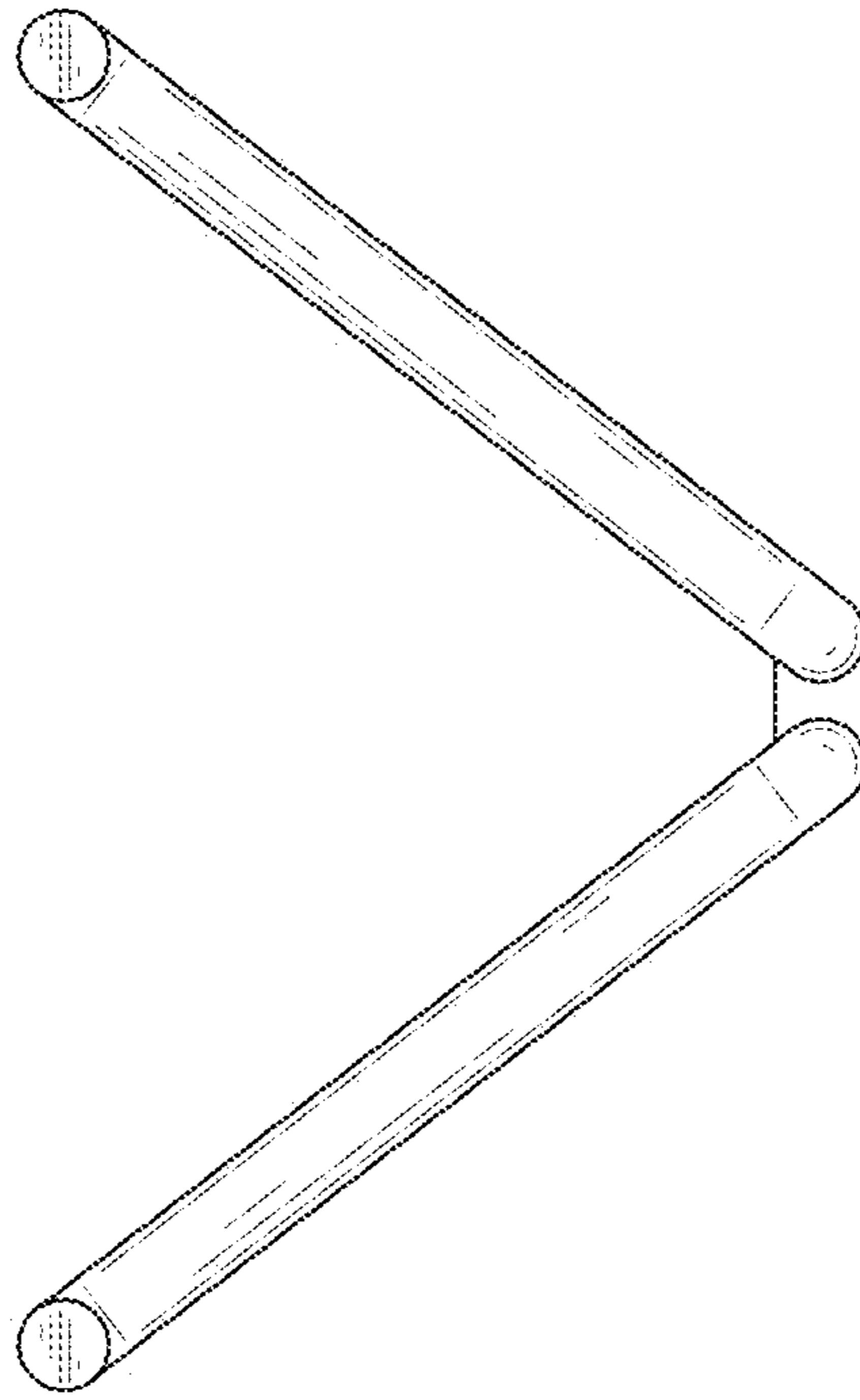


FIG. 4

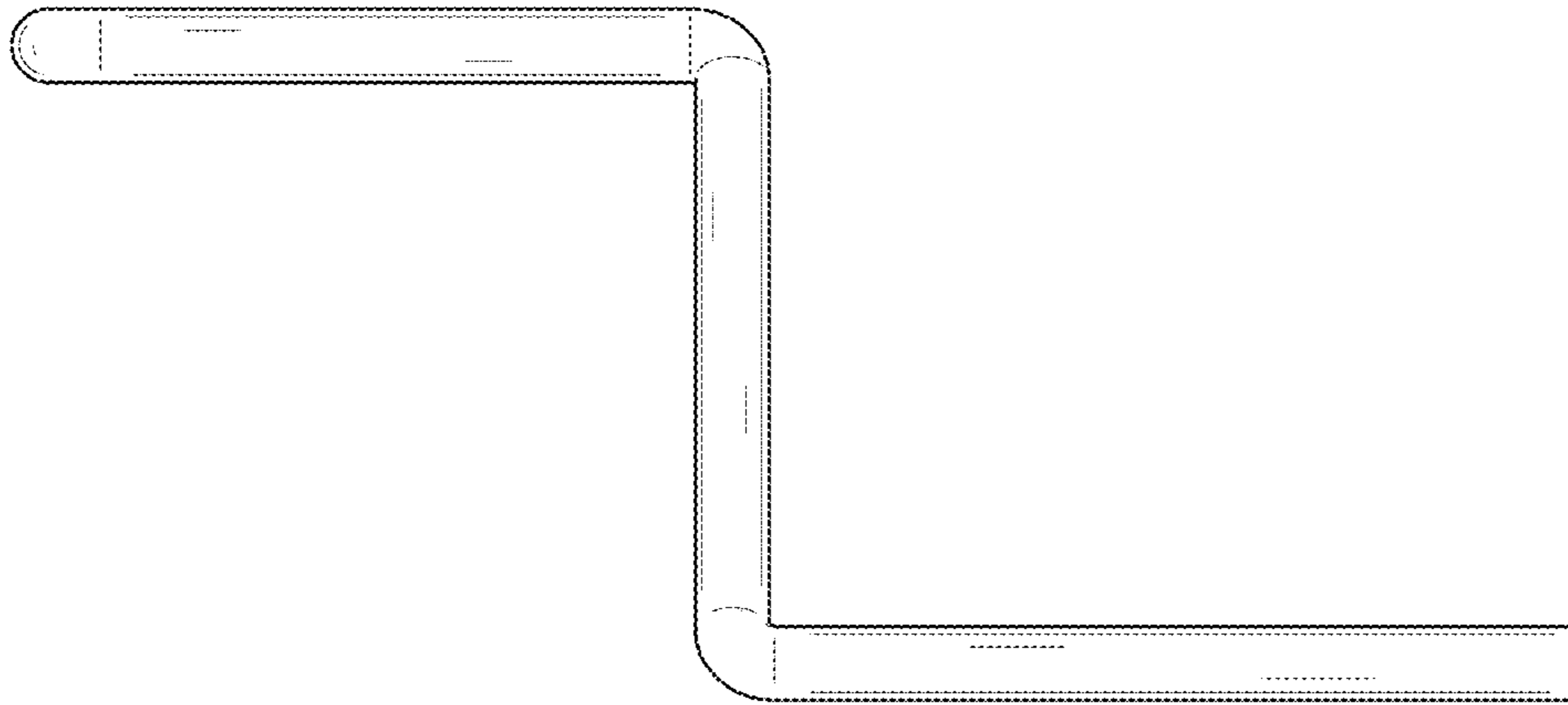


FIG. 5

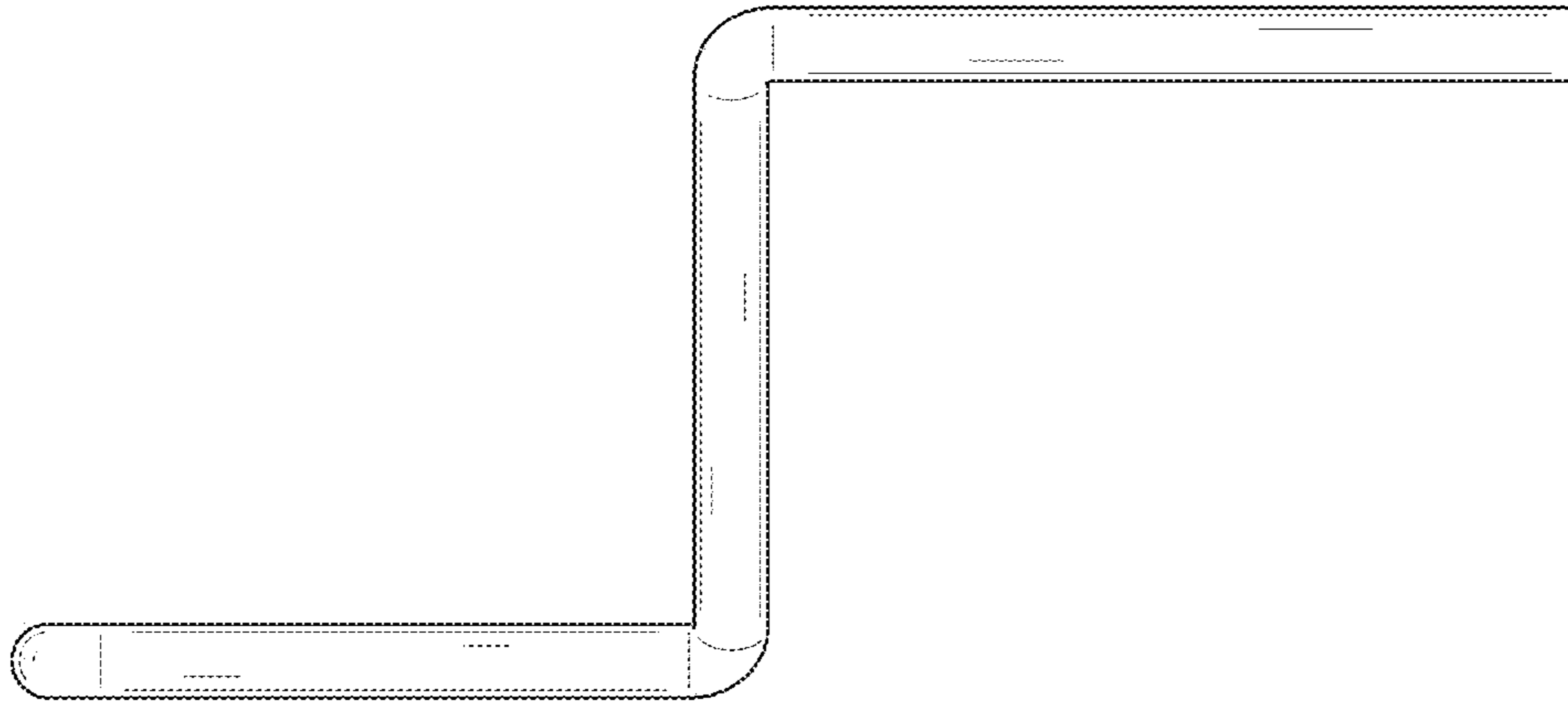


FIG. 6

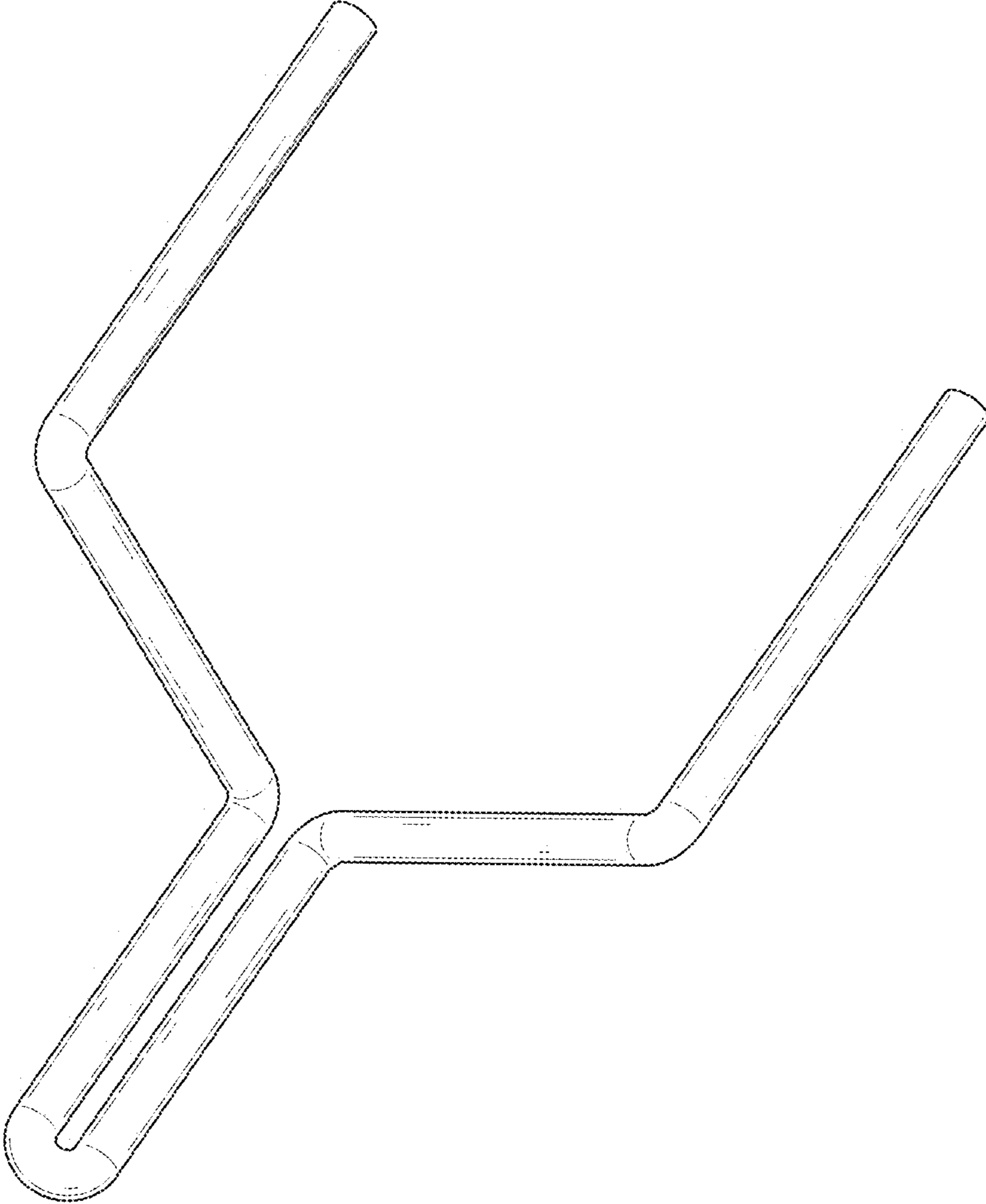


FIG. 7



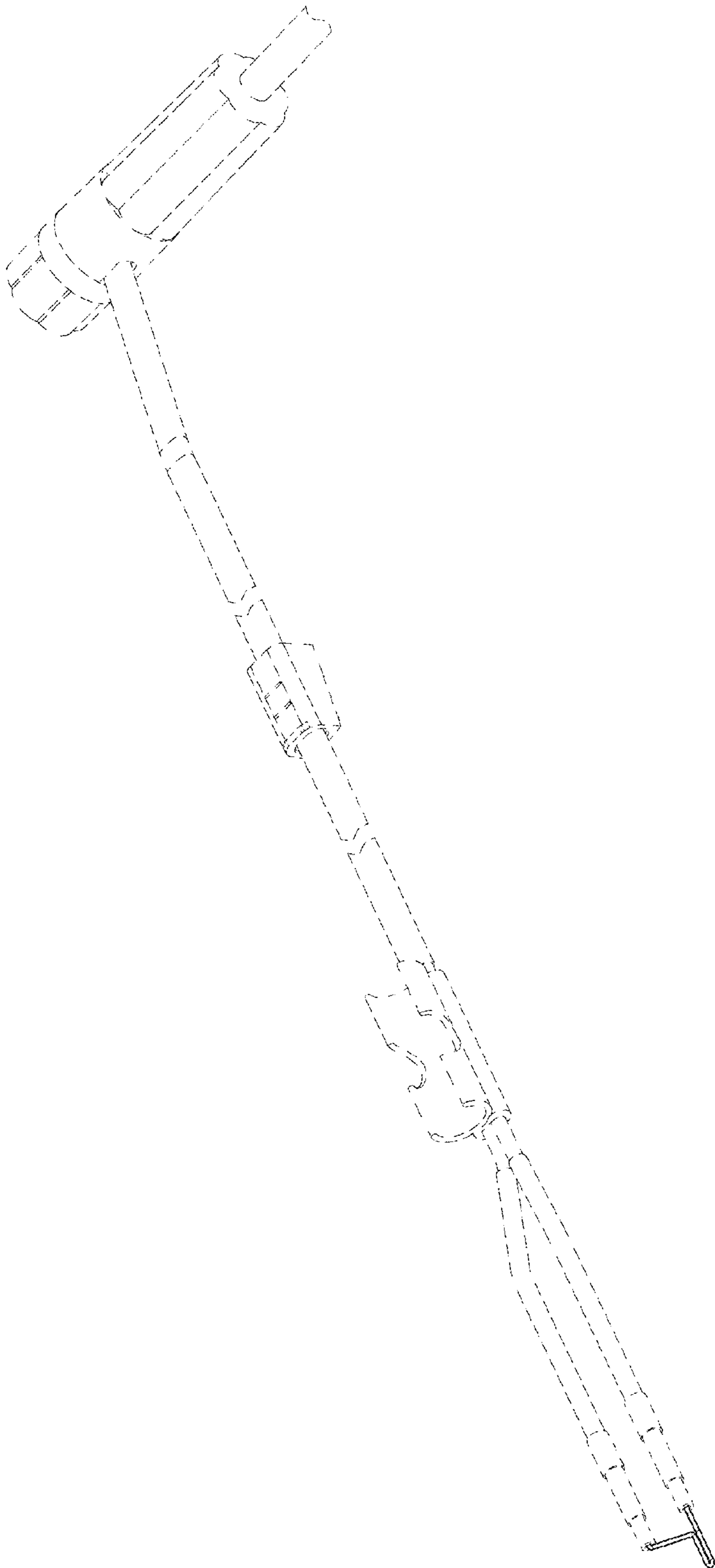


FIG. 8