



US00D899594S

(12) **United States Design Patent** (10) **Patent No.:** **US D899,594 S**
Wang (45) **Date of Patent:** **** Oct. 20, 2020**

(54) **TATTOO NEEDLE CARTRIDGE** 2013/0226211 A1* 8/2013 Xiao A61M 37/0084
606/186
(71) Applicant: **Yiwu Solong Electronic Technology** 2016/0354592 A1* 12/2016 Juan A61M 37/0076
Co., Ltd., Yiwu (CN) 2017/0072177 A1* 3/2017 Oscar A61M 37/0076
2017/0072178 A1* 3/2017 Xiao A61M 37/0084
(72) Inventor: **Quanyu Wang, Yiwu (CN)** 2019/0134371 A1* 5/2019 Johansson A61M 37/0076
2019/0217072 A1* 7/2019 Xiao A61M 37/0084

(73) Assignee: **Yiwu Solong Electronic Technology**
Co., Ltd., Yiwu (CN)

* cited by examiner

(**) Term: **15 Years**

Primary Examiner — Wan Laymon

(21) Appl. No.: **29/676,031**

(74) *Attorney, Agent, or Firm* — Bay State IP, LLC

(22) Filed: **Jan. 8, 2019**

(30) **Foreign Application Priority Data**

Dec. 17, 2018 (CN) 2018 3 0730998
Dec. 17, 2018 (CN) 2018 3 0730999

(51) **LOC (12) Cl.** **24-02**

(52) **U.S. Cl.**
USPC **D24/144**

(58) **Field of Classification Search**
USPC D24/144, 146, 133; 81/9.22; 606/9, 167,
606/185-186
CPC A61M 37/0076; A61M 37/0084; A61M
37/0092; A61M 5/46; A61M 5/48
See application file for complete search history.

(56) **References Cited**

U.S. PATENT DOCUMENTS

D842,468 S * 3/2019 Juan A61M 37/0076
D24/144
10,449,346 B2 * 10/2019 Juan A61M 37/0076

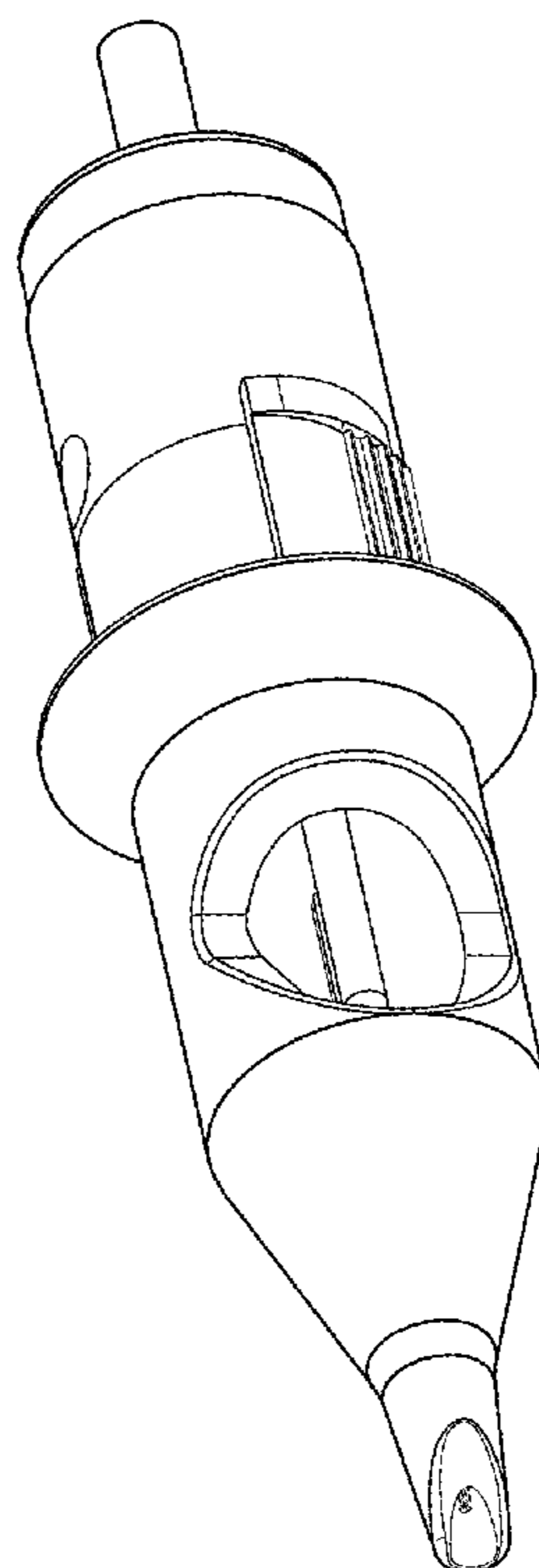
(57) **CLAIM**

The ornamental design for a tattoo needle cartridge, as shown and described.

DESCRIPTION

FIG. 1 is a front perspective view of the tattoo needle cartridge showing my new design;
FIG. 2 is a front view thereof;
FIG. 3 is a back view thereof;
FIG. 4 is an enlarged top view thereof;
FIG. 5 is an enlarged bottom view thereof;
FIG. 6 is a left side view thereof; and,
FIG. 7 is a right side view thereof.
The broken lines depict portions of the tattoo needle cartridge that form no part of the claimed design.

1 Claim, 7 Drawing Sheets



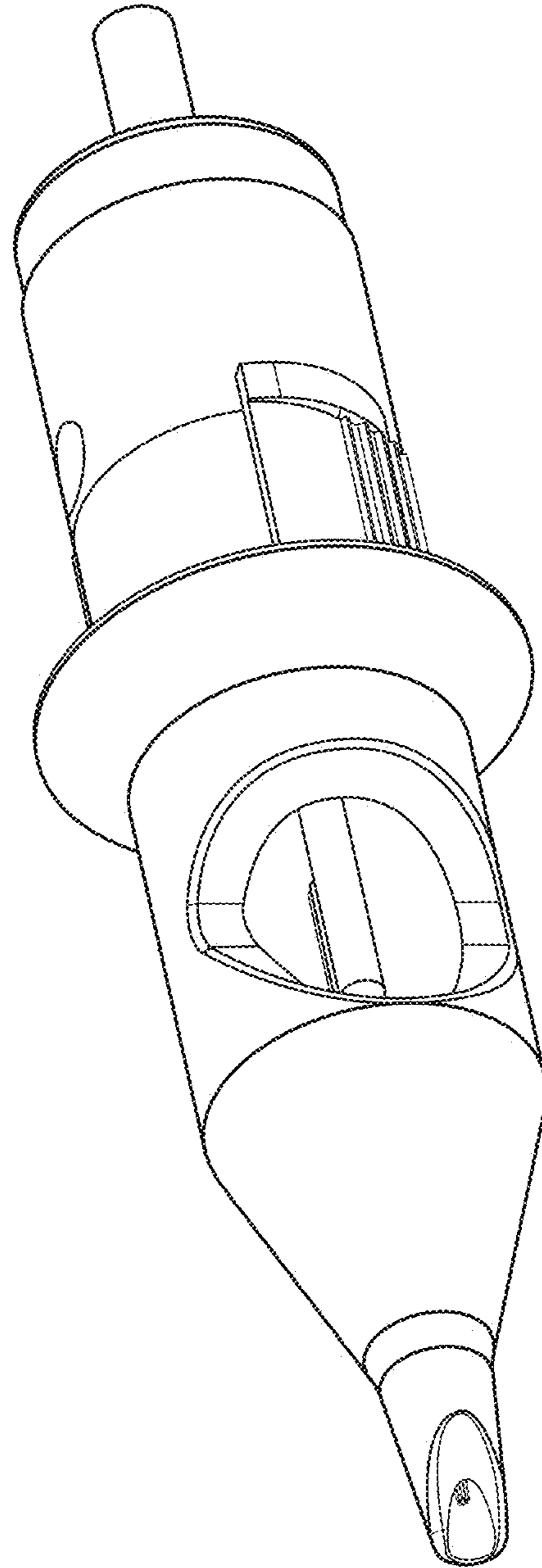


Fig. 1

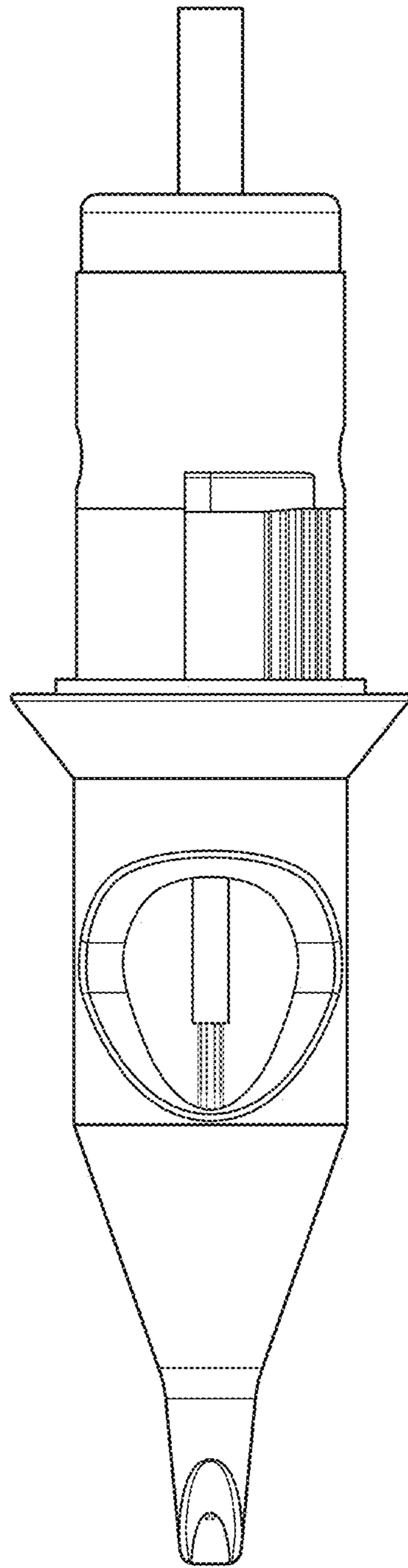


Fig. 2

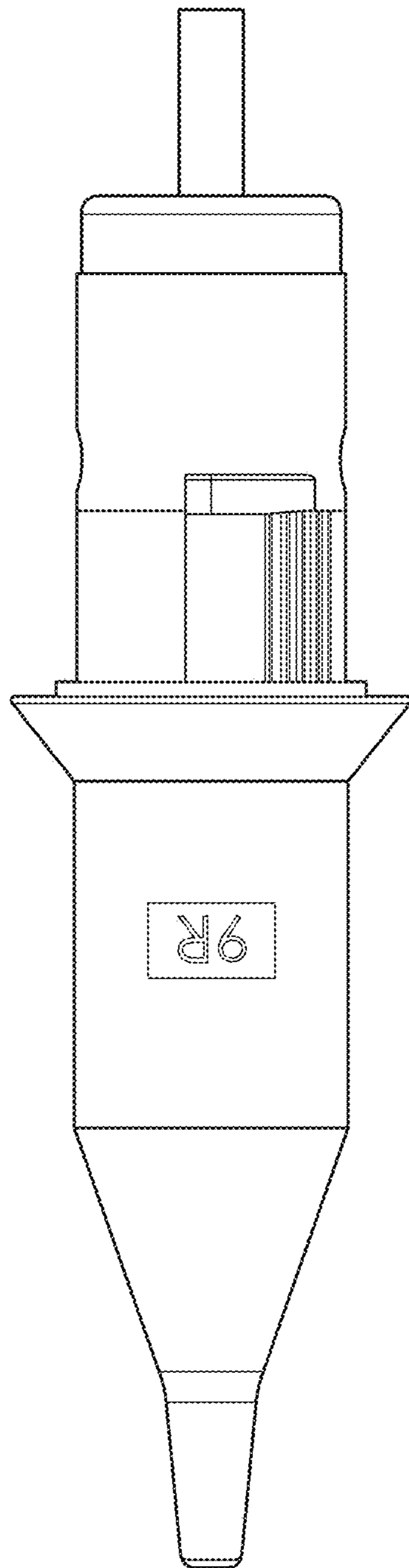


Fig. 3

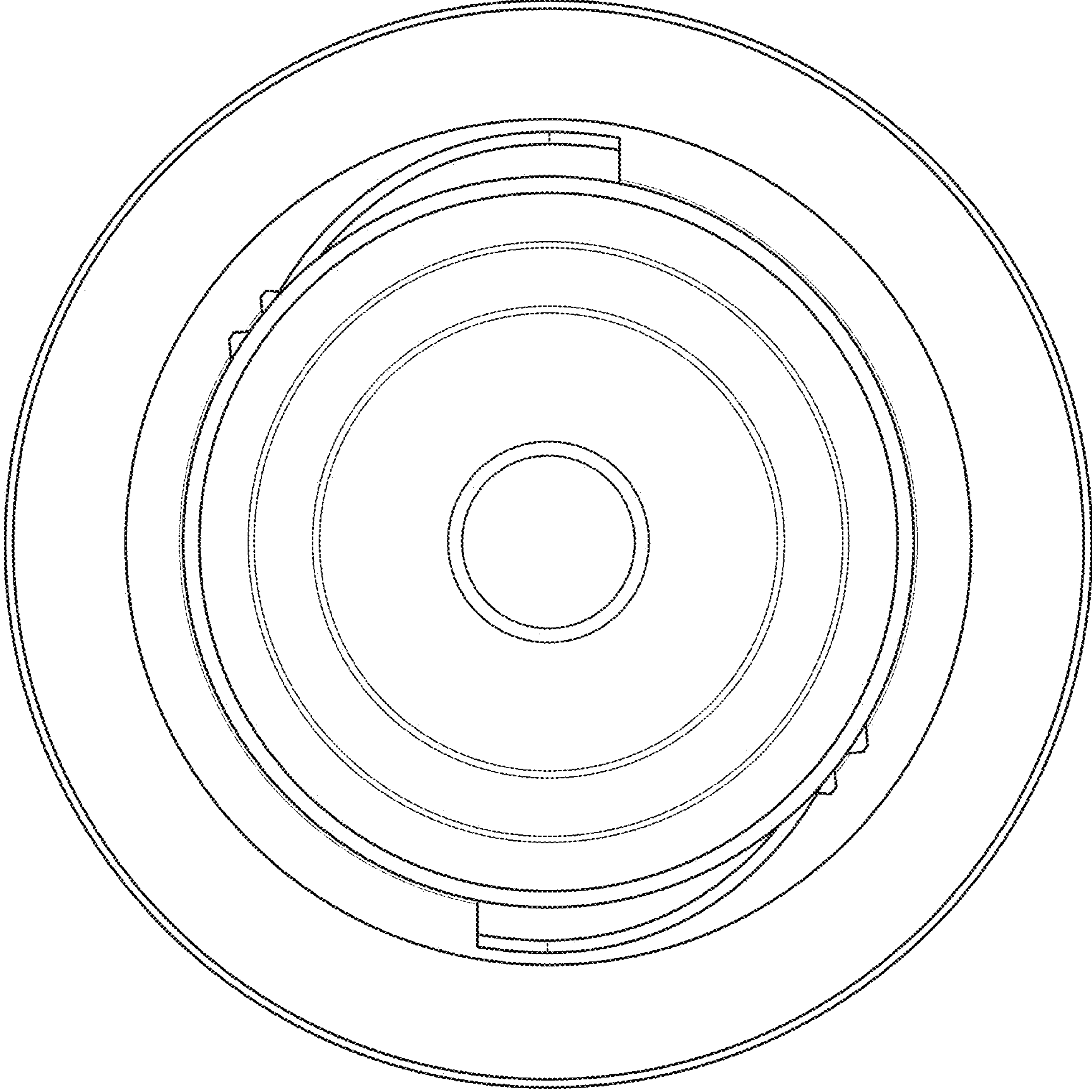


Fig. 4

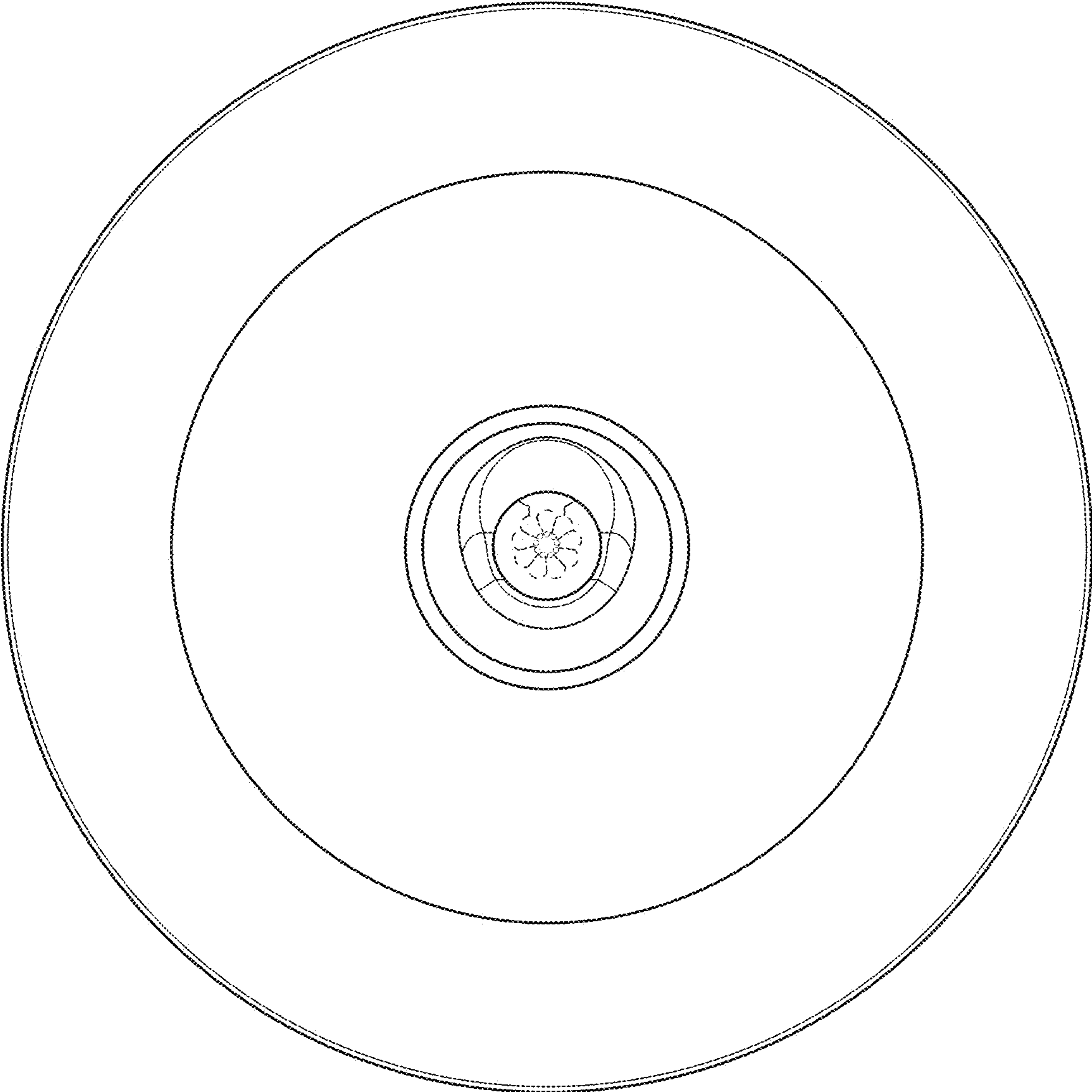


Fig. 5

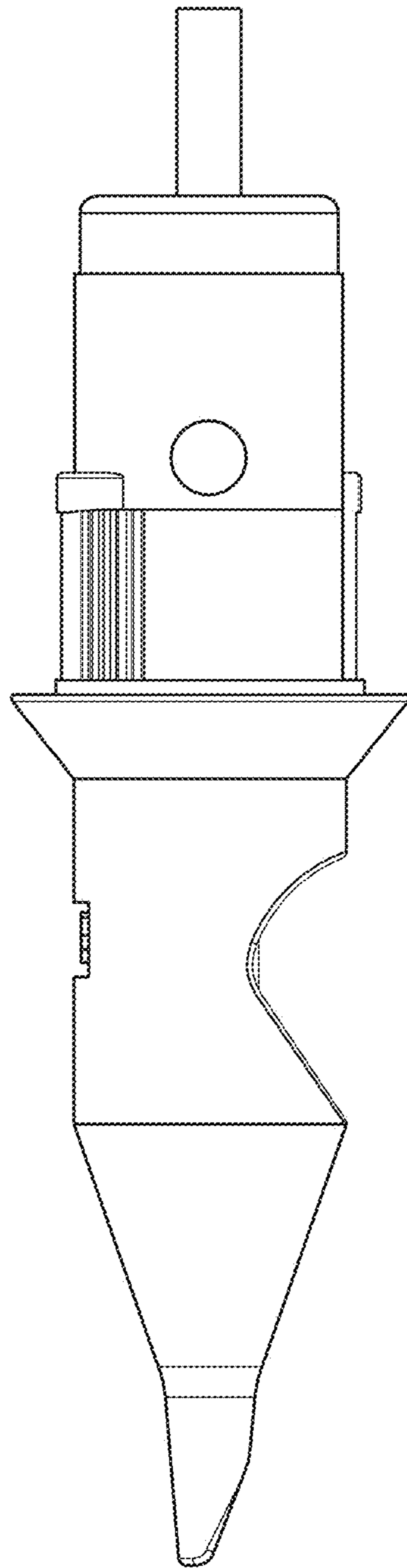


Fig. 6

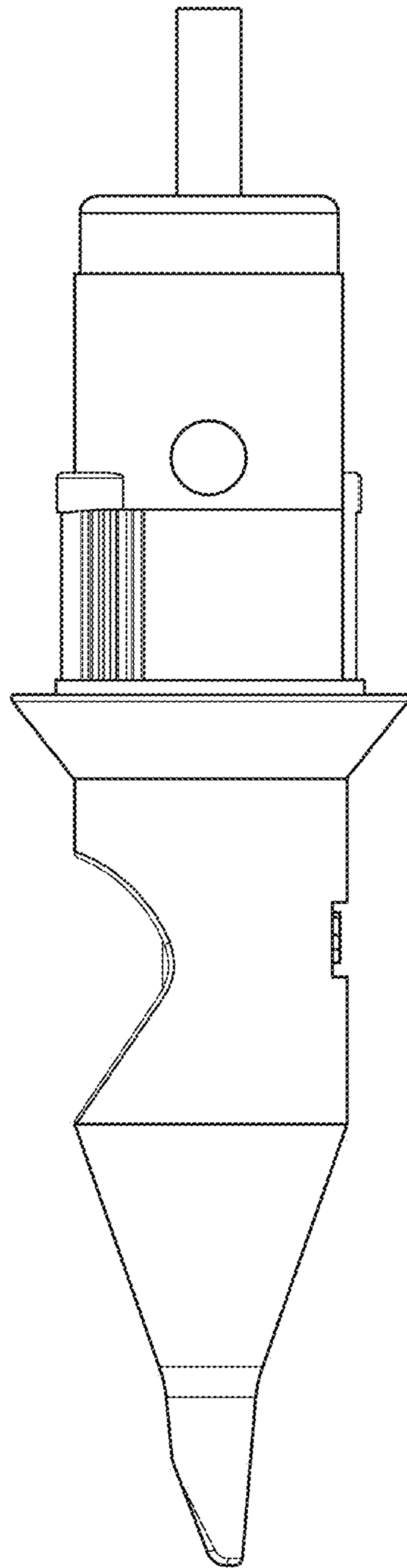


Fig. 7