



US00D899591S

(12) **United States Design Patent** (10) **Patent No.:** **US D899,591 S**  
**Bergström et al.** (45) **Date of Patent:** **\*\* Oct. 20, 2020**

(54) **RECTAL CATHETER**

(56) **References Cited**

(71) Applicant: **DENTSPLY IH AB**, Mölndal (SE)

U.S. PATENT DOCUMENTS

(72) Inventors: **Pär Bergström**, Gothenburg (SE); **Erik Andréén**, Gothenburg (SE); **Fredrik Andersson**, Gothenburg (SE); **Marie-Josée Michon-Gente**, Gothenburg (SE)

D254,241 S	2/1980	Morin	
D321,472 S *	11/1991	Evans	D24/130
D356,643 S *	3/1995	Burns	D24/224
5,713,864 A	2/1998	Verkaart	
D425,625 S	5/2000	Niermann	
D443,709 S	6/2001	Chiu	
D444,887 S *	7/2001	Conway	D24/224
D445,908 S	7/2001	Conway	
6,503,220 B1	1/2003	Cirillo et al.	
6,984,226 B1	1/2006	Abell et al.	
D518,178 S	3/2006	Christiansen	

(73) Assignee: **DENTSPLY IH AB**, Mölndal (SE)

(\*\*) Term: **15 Years**

(Continued)

(21) Appl. No.: **29/643,894**

FOREIGN PATENT DOCUMENTS

(22) Filed: **Apr. 12, 2018**

EP	1946786	7/2008
WO	2006042016	4/2006
WO	2013076446	5/2013

**Related U.S. Application Data**

*Primary Examiner* — Nathan M Johnston

(62) Division of application No. 29/475,271, filed on Dec. 2, 2013, now Pat. No. Des. 815,737.

(74) *Attorney, Agent, or Firm* — Perkins Coie LLP

(30) **Foreign Application Priority Data**

(57) **CLAIM**

Jun. 3, 2013 (EM) ..... 001372916

(51) **LOC (12) Cl.** ..... **24-02**

(52) **U.S. Cl.**  
USPC ..... **D24/130**

(58) **Field of Classification Search**  
USPC ..... D24/130, 112–114, 133, 186, 127;  
606/181, 185; 604/264, 272, 115,  
604/164.01–164.09, 533, 232, 187,  
604/168.01, 192, 19, 48, 93.01, 523, 524,  
604/526; 600/101, 139, 143;  
128/200.24, 207.14, 207.15  
CPC ..... C12N 2310/321; C12N 2310/3525; C12N  
2310/341; C12N 2310/11  
See application file for complete search history.

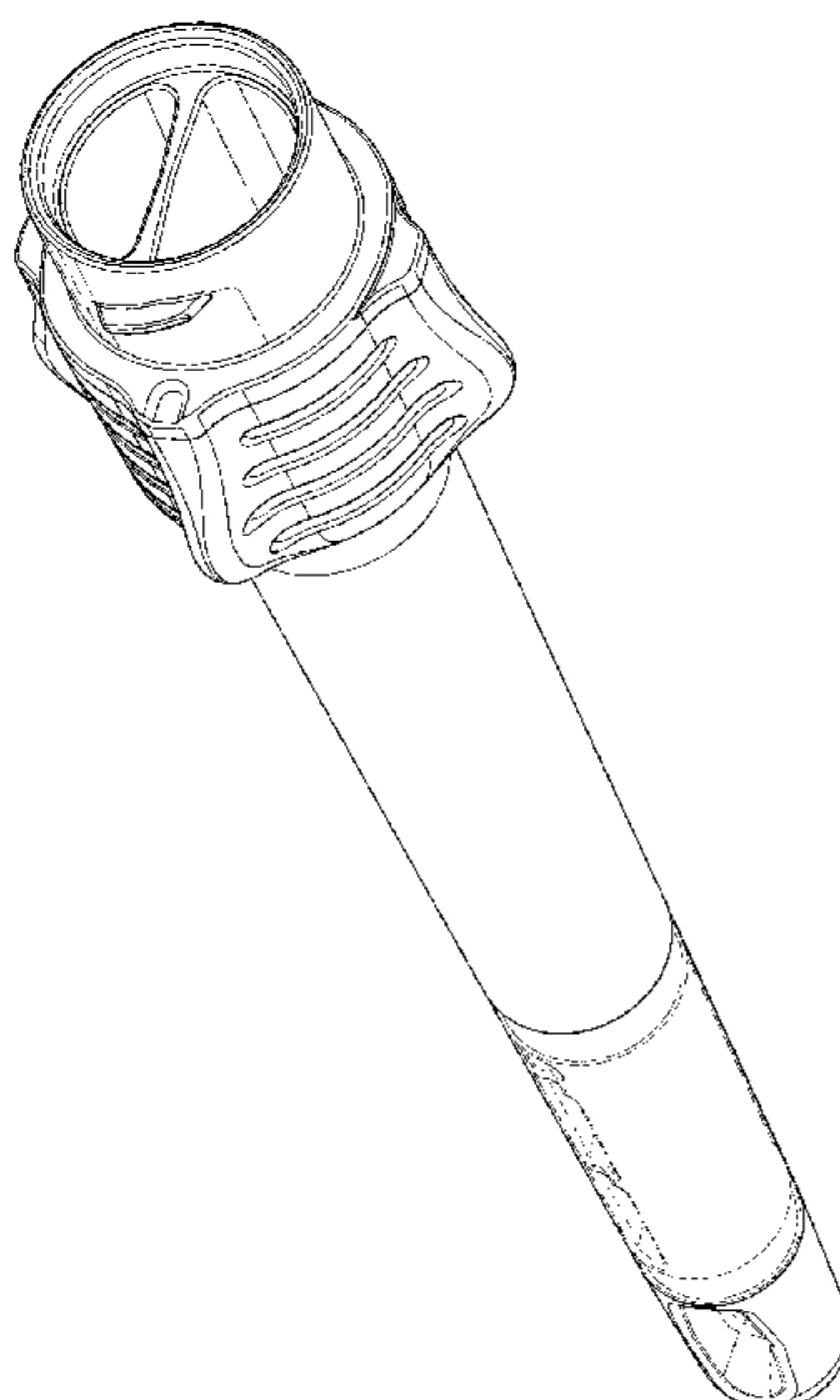
The ornamental design for a rectal catheter, as shown and described is claimed.

**DESCRIPTION**

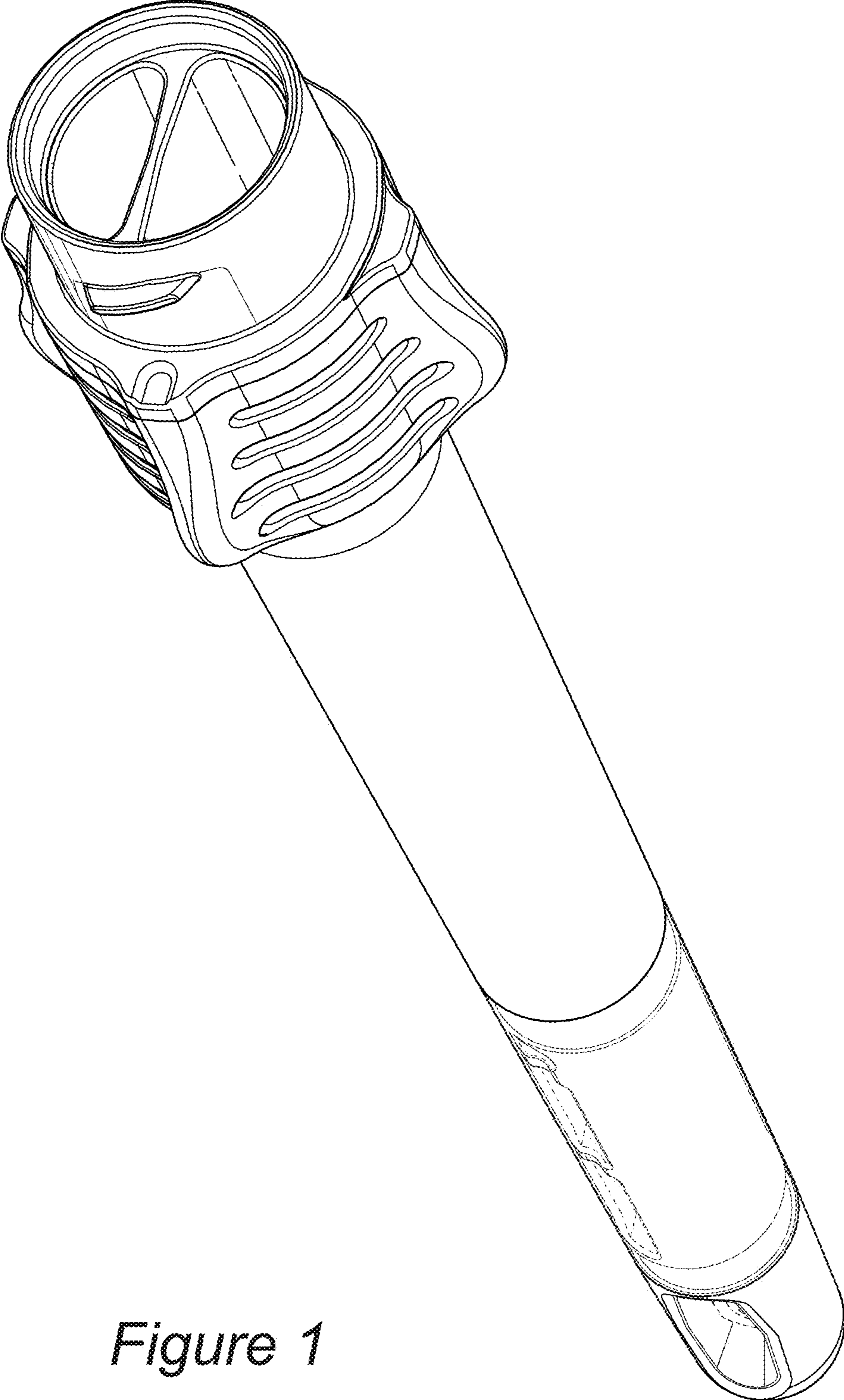
FIG. 1 is a perspective view of a rectal catheter of the present invention;  
FIG. 2 is a left side elevation view thereof;  
FIG. 3 is a front elevation view thereof;  
FIG. 4 is a top plan view thereof;  
FIG. 5 is a bottom plan view thereof;  
FIG. 6 is a right side elevation view thereof; and,  
FIG. 7 is a rear elevation view of the rectal catheter shown in FIG. 1.

The broken lines immediately adjacent the claimed areas represent the bounds of the claim, and all other broken lines are included for the purpose of illustrating portions of the design that form no part of the claimed design. None of the broken lines form part of the claimed design.

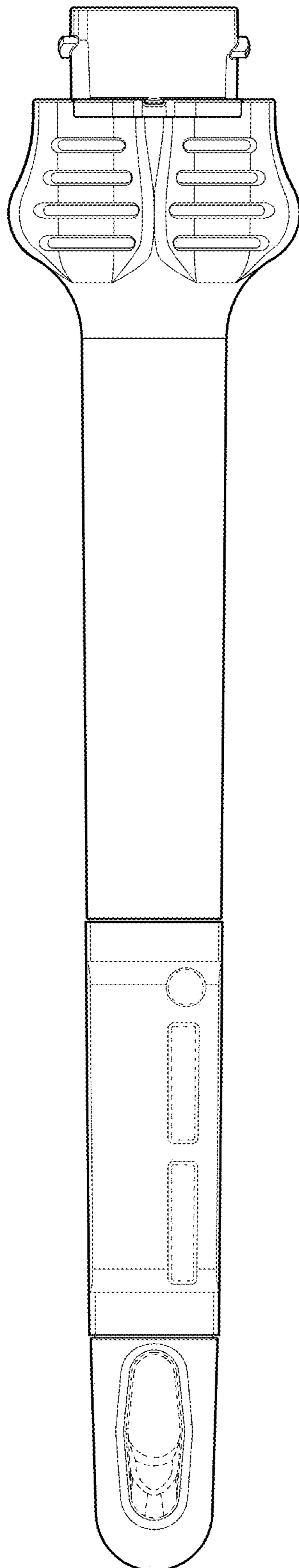
**1 Claim, 6 Drawing Sheets**



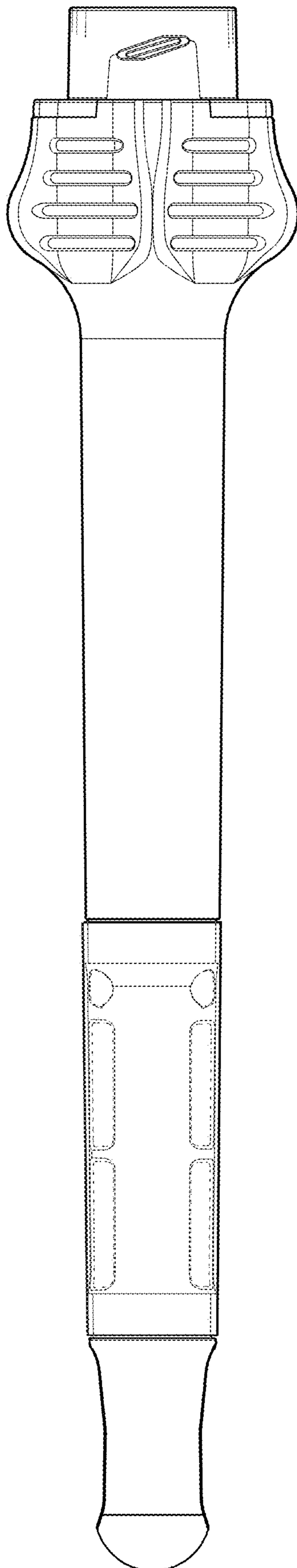




*Figure 1*

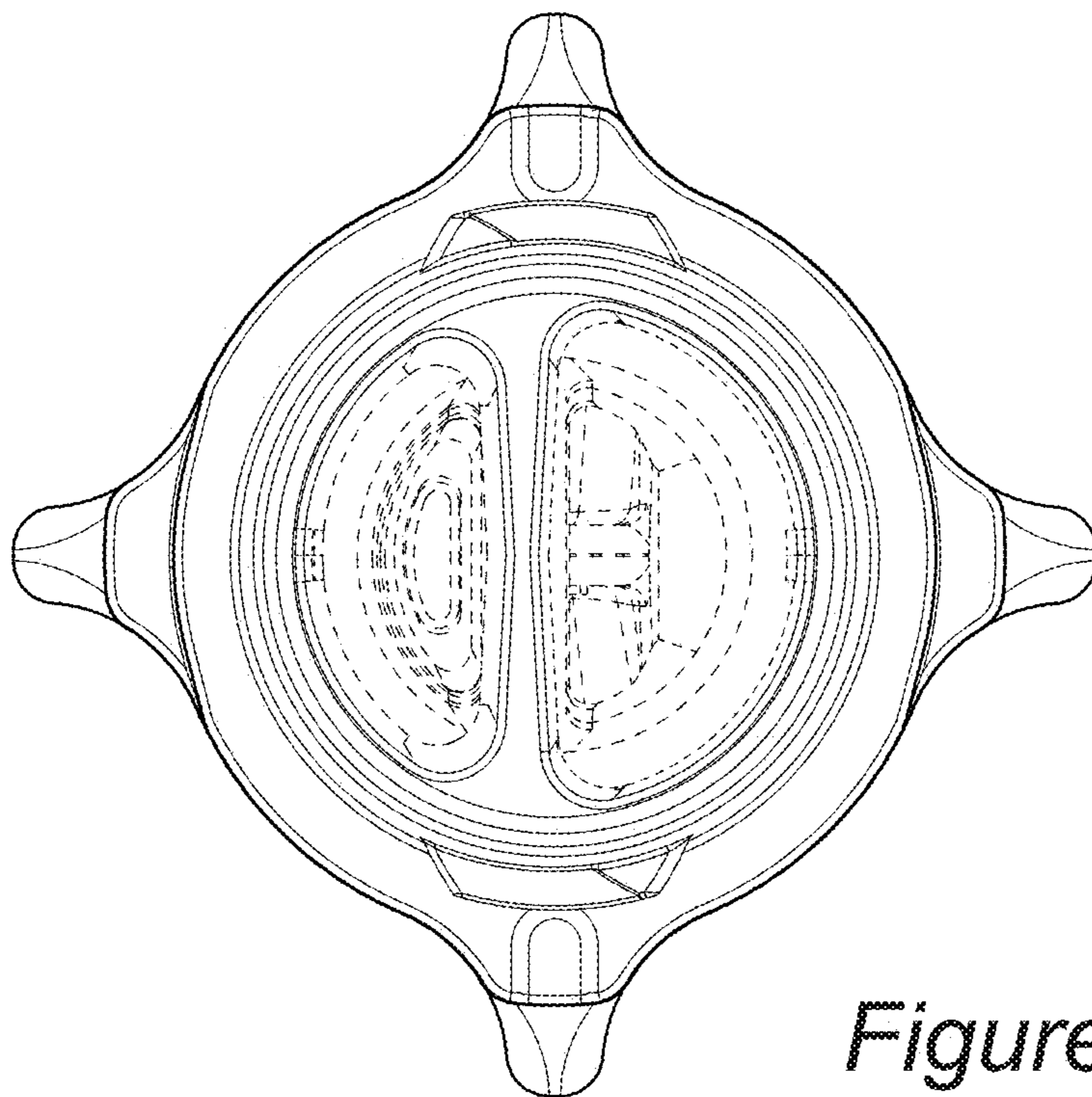


*Figure 2*

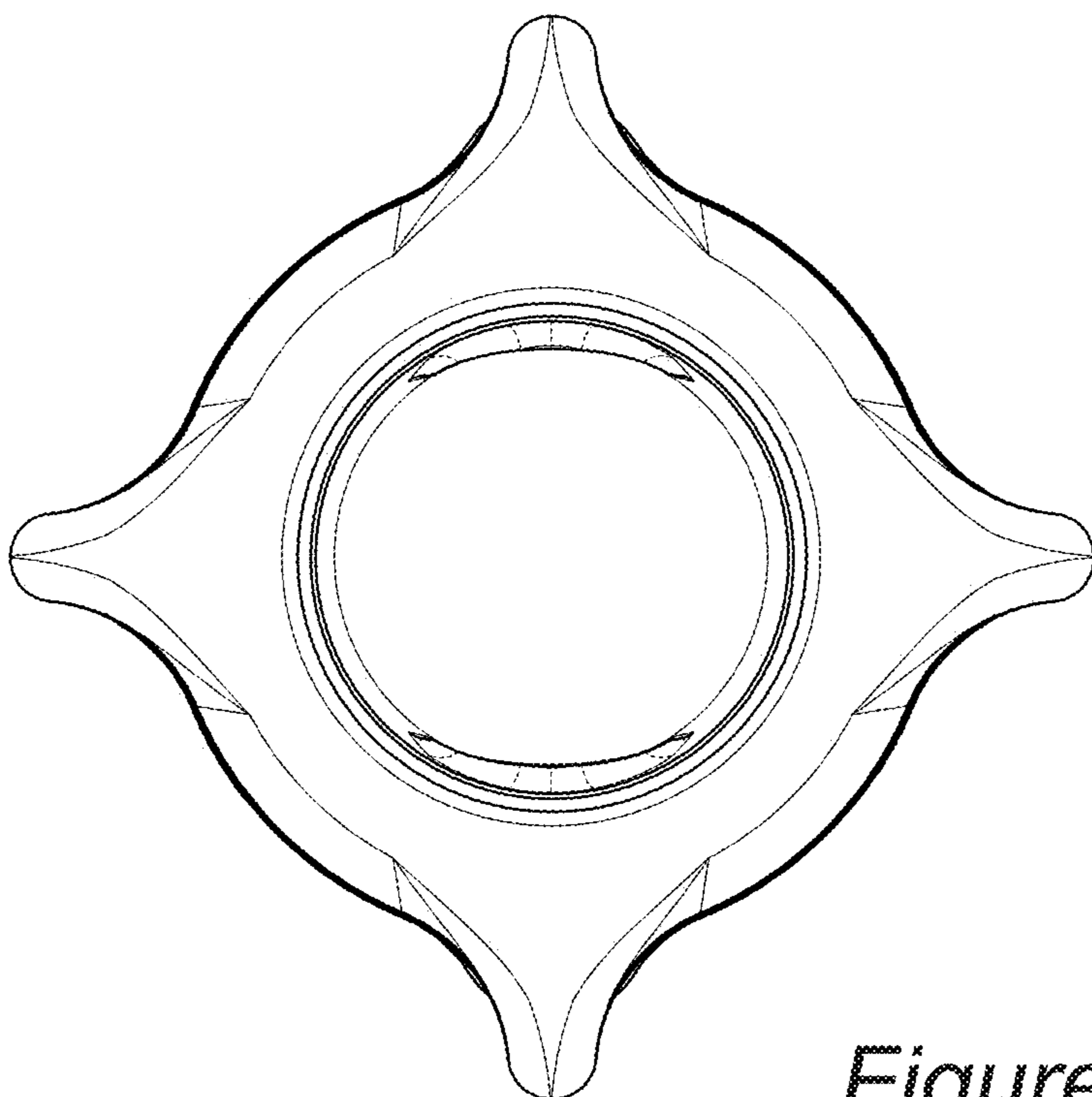


*Figure 3*

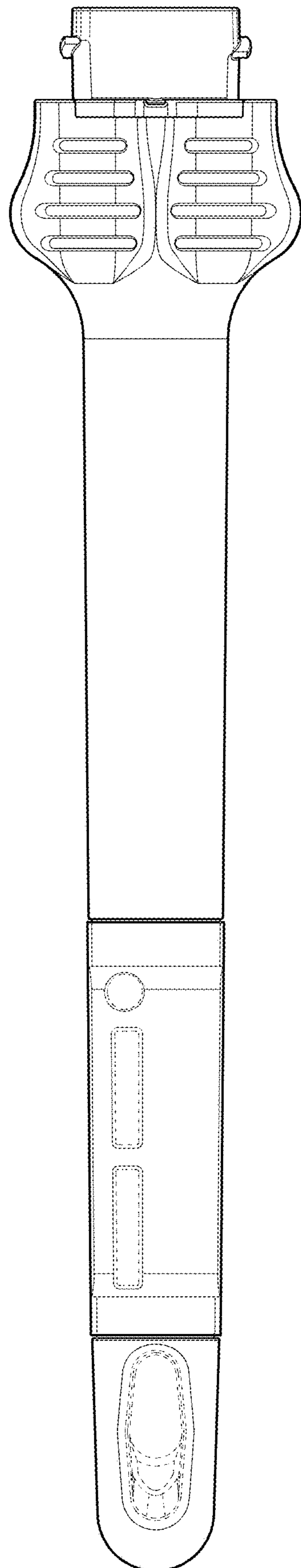




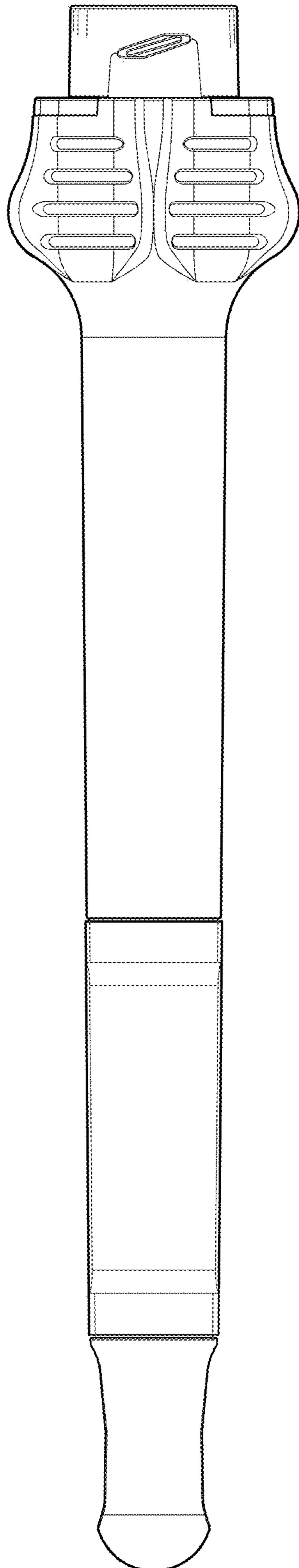
*Figure 4*



*Figure 5*



*Figure 6*



*Figure 7*