



US00D899589S

(12) **United States Design Patent** (10) **Patent No.:** **US D899,589 S**  
**Illsley** (45) **Date of Patent:** **\*\* Oct. 20, 2020**

(54) **MEDICAL VALVE**  
(71) Applicant: **NP Medical Inc.**, Clinton, MA (US)  
(72) Inventor: **Nicholas Illsley**, Sterling, MA (US)  
(73) Assignee: **NP Medical Inc.**, Clinton, MA (US)  
(\*\*) Term: **15 Years**  
(21) Appl. No.: **29/685,492**

(22) Filed: **Mar. 28, 2019**  
(51) **LOC (12) Cl.** ..... **24-02**  
(52) **U.S. Cl.**  
USPC ..... **D24/129**  
(58) **Field of Classification Search**  
USPC ..... D24/127-131, 112-114, 133, 186;  
606/181, 185; 604/264, 523-528, 272,  
604/187, 158, 164.01-164.11, 181, 184,  
604/227; 600/101, 139, 143;  
128/200.24, 207.14, 207.15  
CPC ..... A61M 25/00; A61M 39/00; A61M 27/00;  
A61M 25/0043; A61M 25/0067; A61M  
25/0097; A61F 2/958  
See application file for complete search history.

(56) **References Cited**

**U.S. PATENT DOCUMENTS**

D375,559 S \* 11/1996 Baxter ..... D24/224  
D691,261 S \* 10/2013 Kawamura ..... D24/130  
D736,914 S \* 8/2015 Schultz ..... D24/129

D746,446 S \* 12/2015 Turturro ..... D24/129  
D750,236 S \* 2/2016 Maurice ..... D24/129  
D750,775 S \* 3/2016 Carrel ..... D24/130  
D785,789 S \* 5/2017 Turturro ..... D24/129  
D791,939 S \* 7/2017 Turturro ..... D24/129  
D796,035 S \* 8/2017 Turturro ..... D24/129  
D832,431 S \* 10/2018 Turturro ..... D24/129  
D865,954 S \* 11/2019 Mottola ..... D24/129  
2010/0059702 A1 \* 3/2010 Mansour ..... A61M 39/26  
251/331  
2019/0321564 A1 \* 10/2019 Kim ..... A61M 39/1011

\* cited by examiner

*Primary Examiner* — Nathan M Johnston  
(74) *Attorney, Agent, or Firm* — McCarter & English,  
LLP; Jonathan C. Lovely

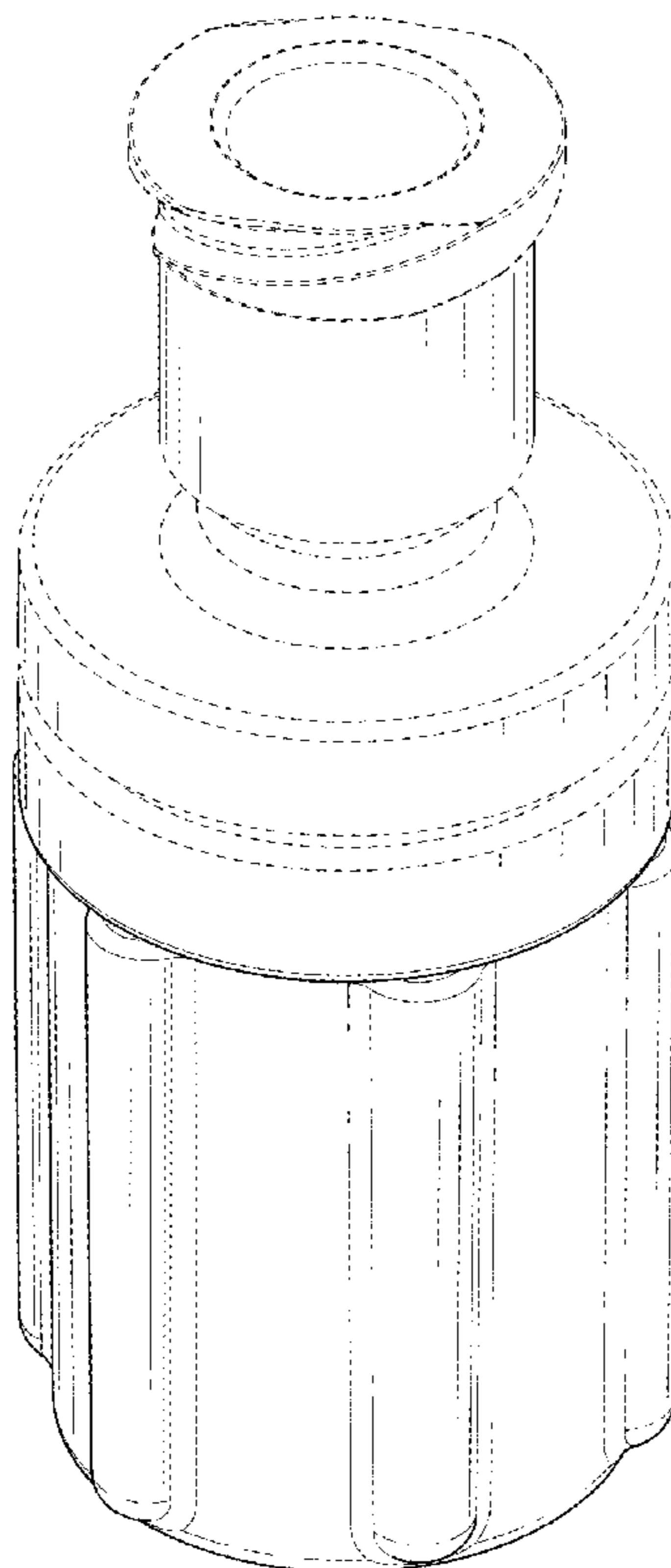
(57) **CLAIM**

The ornamental design for a medical valve, as shown and described.

**DESCRIPTION**

FIG. 1 is a perspective view of an embodiment of a medical valve in accordance with the present invention; FIG. 2 is a front view of the medical valve of FIG. 1; FIG. 3 is a rear view of the medical valve of FIG. 1; FIG. 4 is a right side view of the medical valve of FIG. 1; FIG. 5 is a left side view of the medical valve of FIG. 1; FIG. 6 is a top view of the medical valve of FIG. 1; and, FIG. 7 is a bottom view of the medical valve of FIG. 1. The broken lines in the drawing views are included for the purpose of illustrating portions of the medical valve that form no part of the claimed design.

**1 Claim, 7 Drawing Sheets**



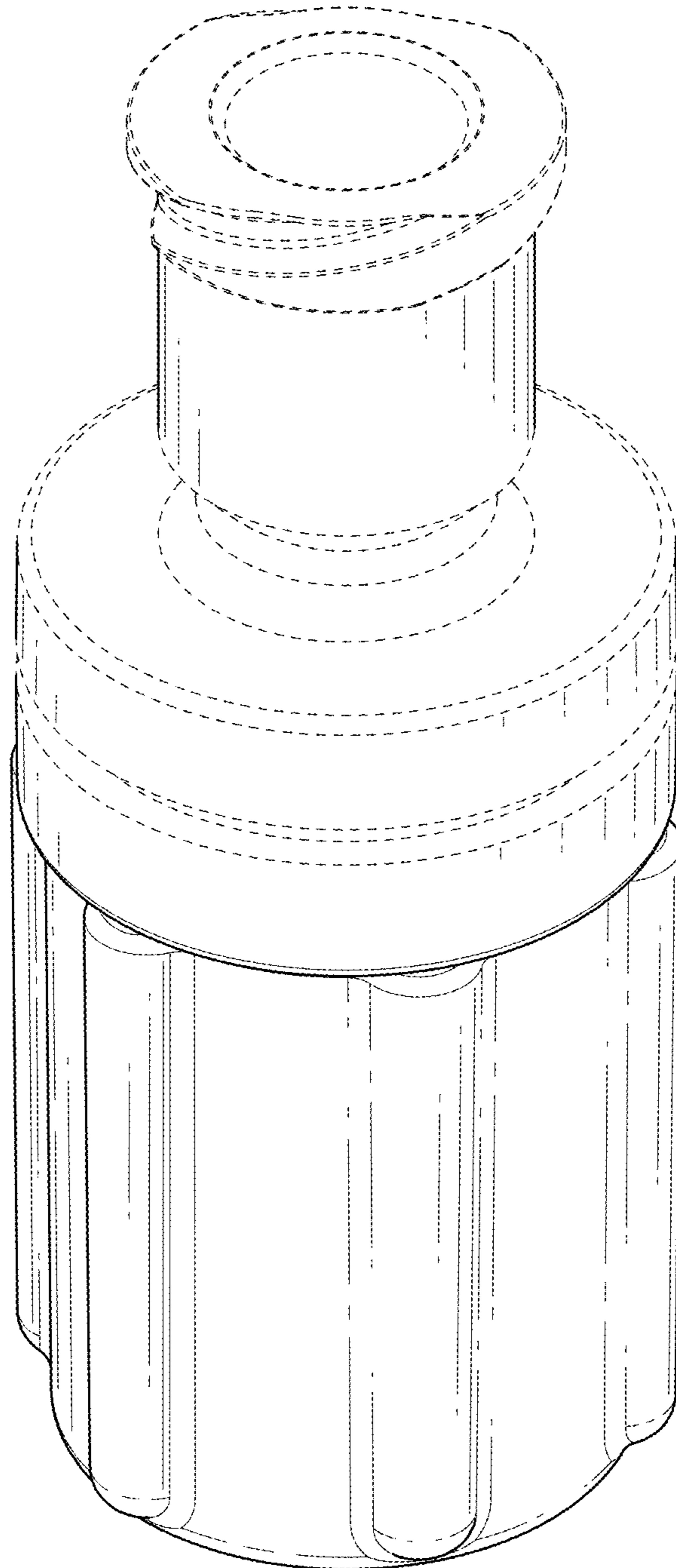


FIG. 1

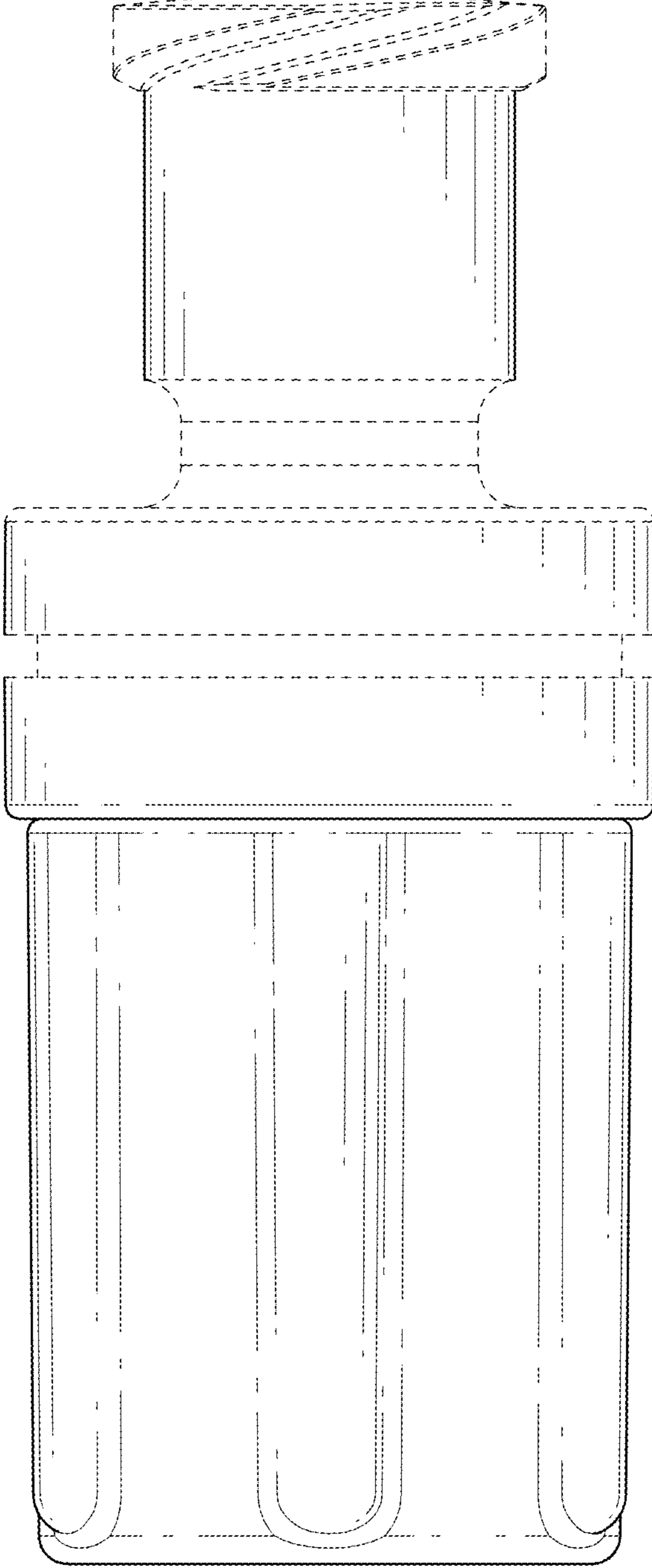


FIG. 2

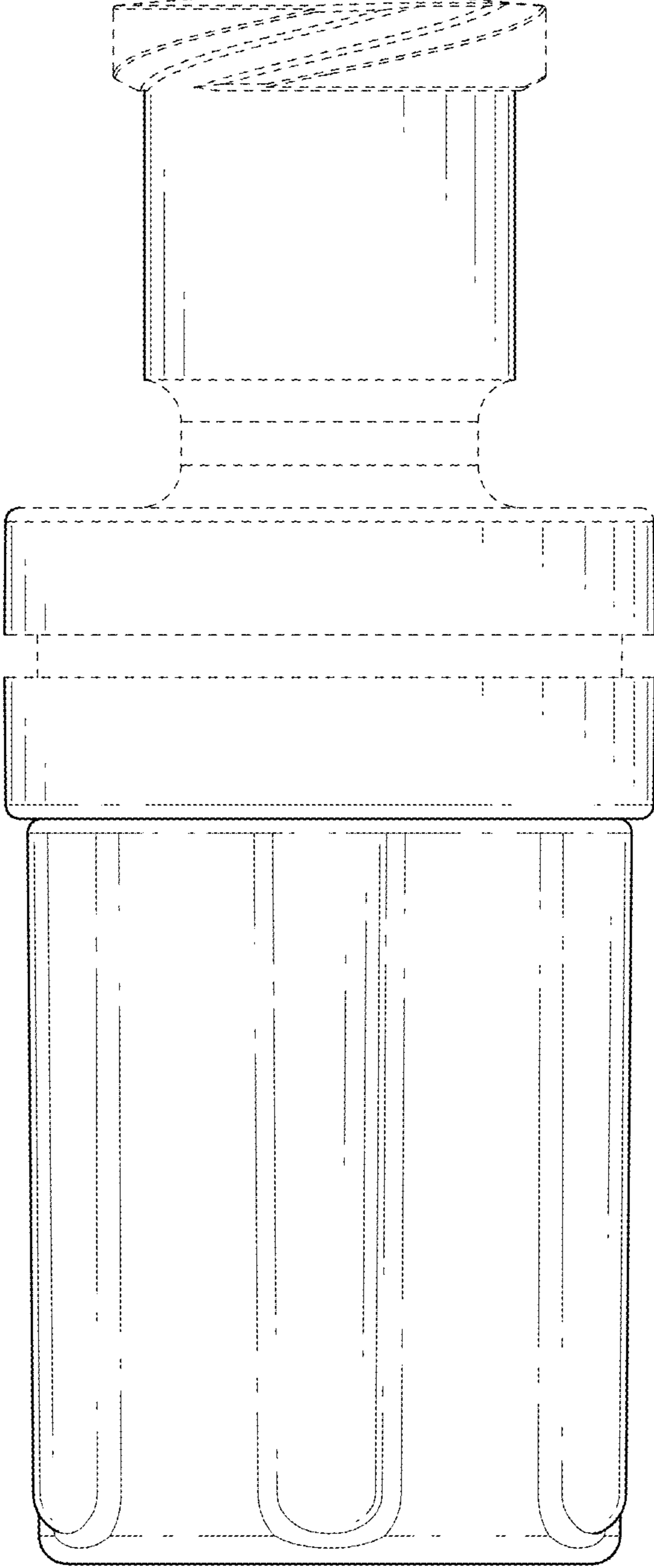


FIG. 3

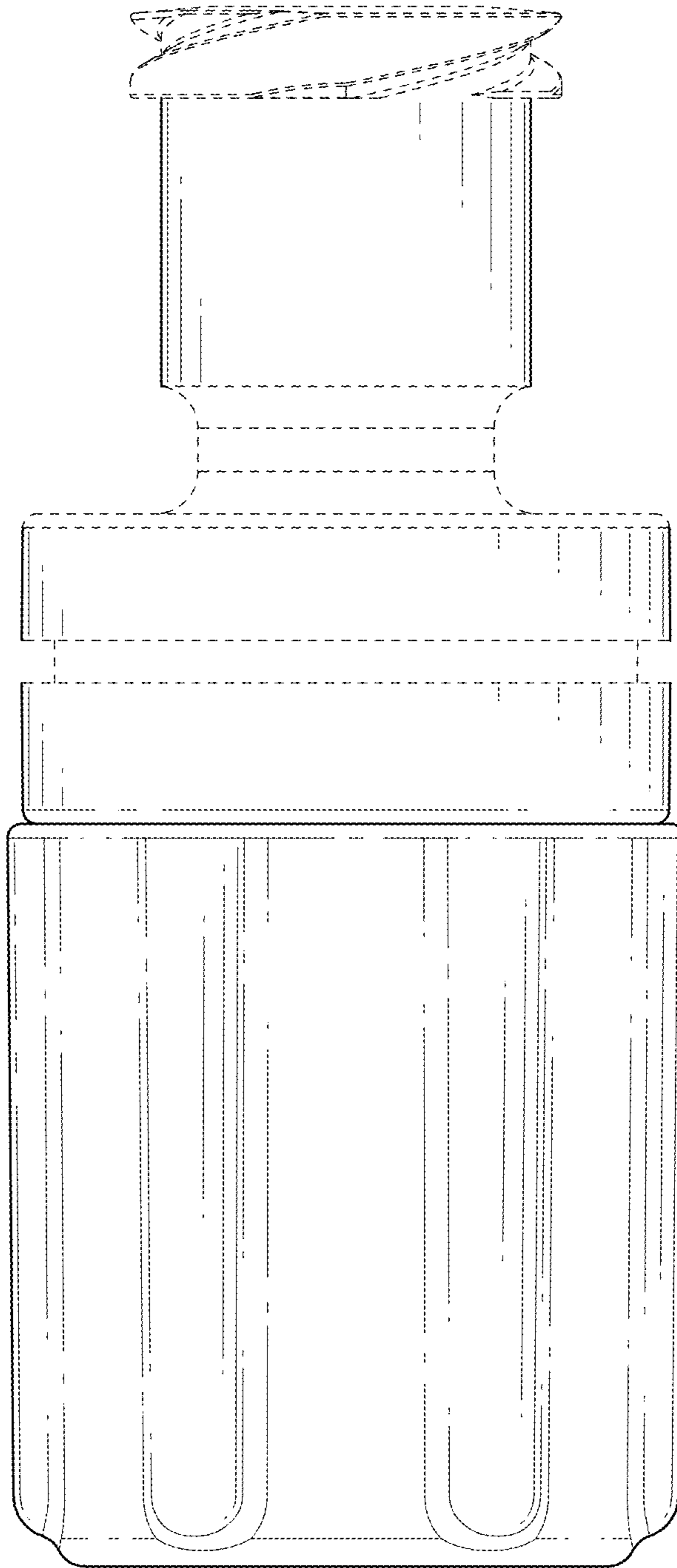


FIG. 4

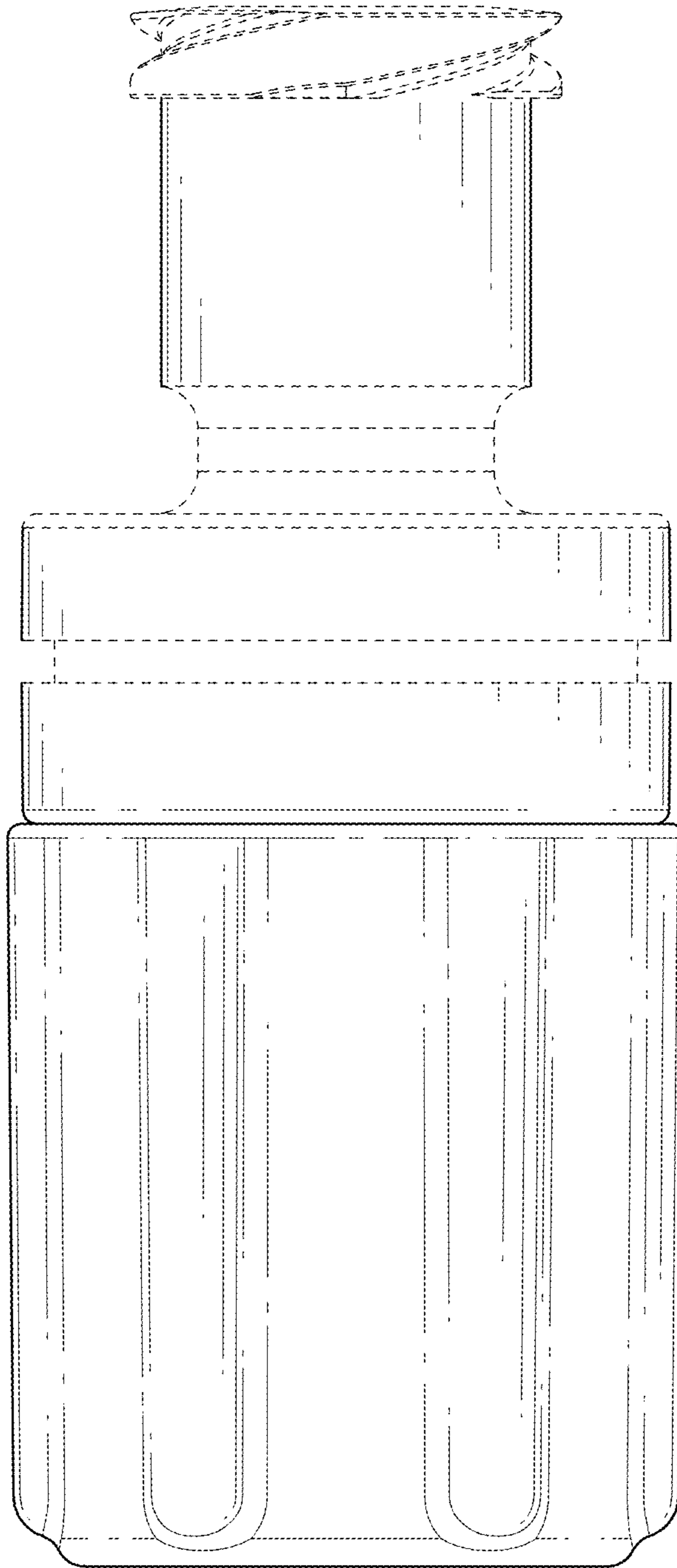


FIG. 5

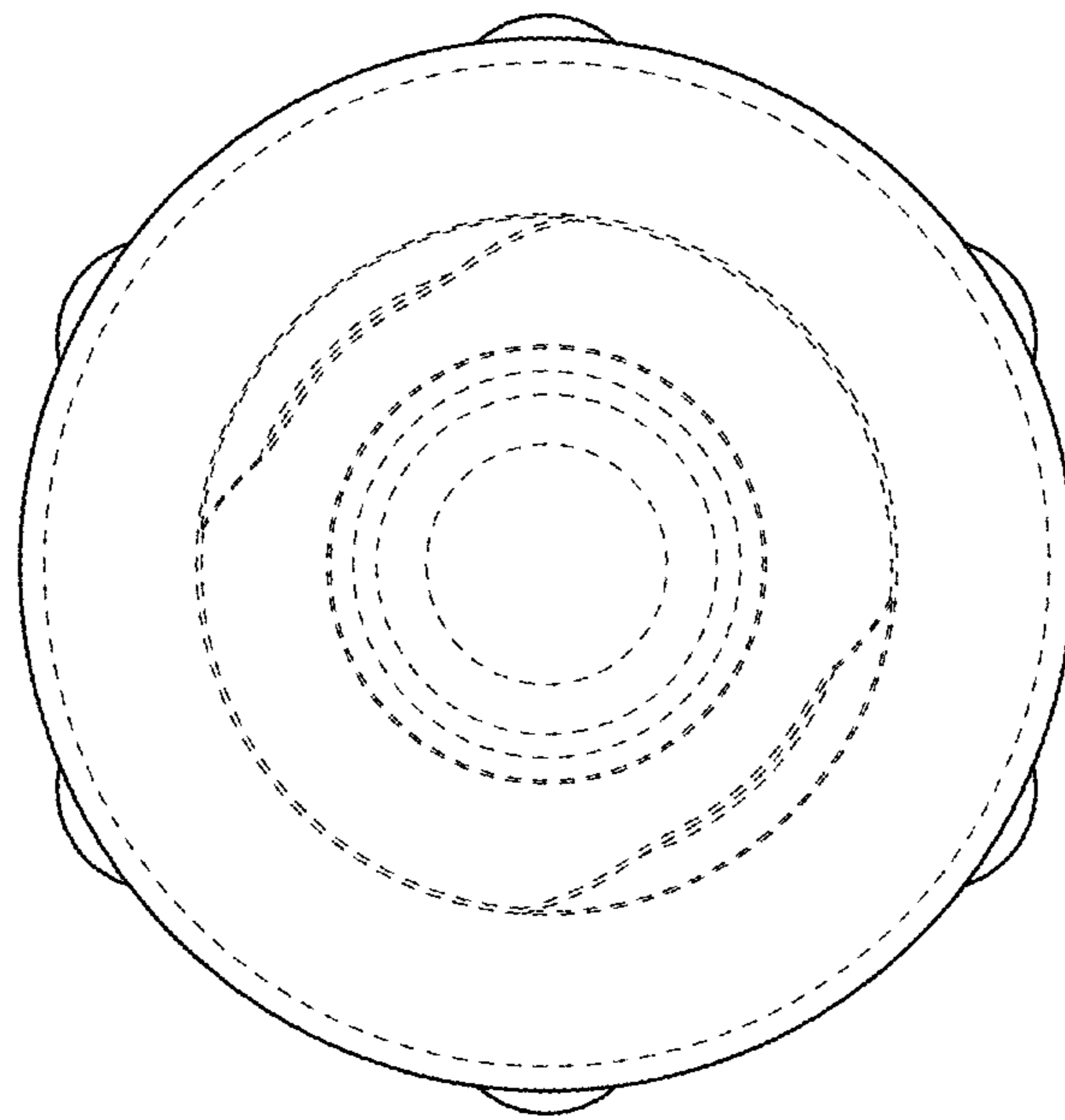


FIG. 6

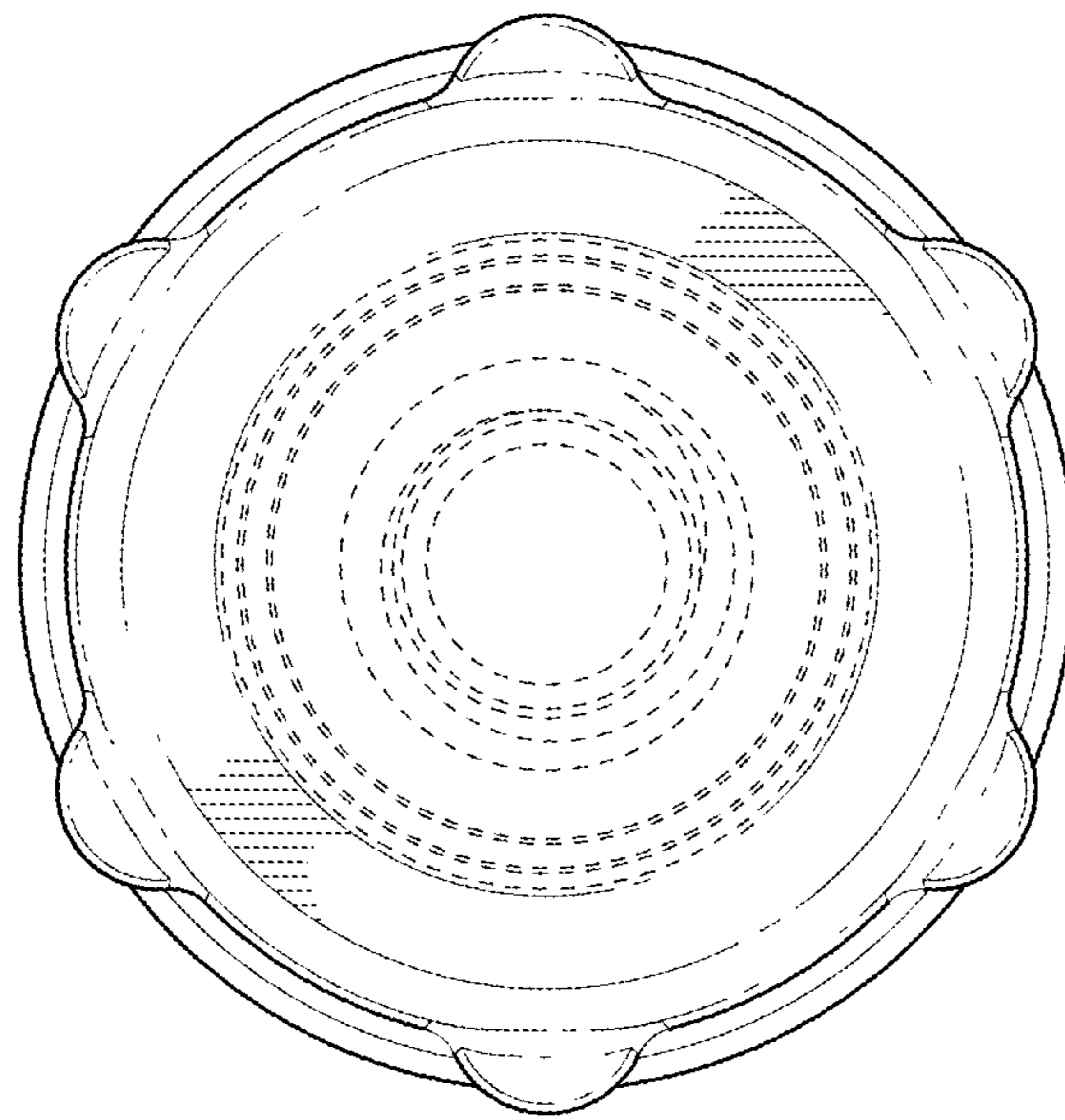


FIG. 7