



US00D899586S

(12) **United States Design Patent** (10) **Patent No.:** **US D899,586 S**  
**Cohn et al.** (45) **Date of Patent:** **\*\* Oct. 20, 2020**

(54) **URINARY DEVICE**

A61F 5/443; A61F 5/4408; A47K 11/12;  
A61M 1/00; A61G 9/006; A61G 2200/12

See application file for complete search history.

(71) Applicant: **G.R., Dome Medical Ltd.**, Tirat Carmel (IL)

(56) **References Cited**

(72) Inventors: **Michael Cohn**, Tirat Carmel (IL);  
**Nuphar Haller**, Tirat Carmel (IL);  
**Sana Yassin**, Tirat Carmel (IL); **Amir Laniado**, Tirat Carmel (IL)

U.S. PATENT DOCUMENTS

3,832,738 A \* 9/1974 Kliemann ..... A61B 10/007  
4/144.1  
D249,997 S \* 10/1978 Lindquist ..... D23/200  
4,198,979 A 4/1980 Cooney et al.  
4,496,355 A 1/1985 Hall et al.  
4,681,572 A 7/1987 Tokarz et al.  
4,771,484 A 9/1988 Mozell et al.

(Continued)

(73) Assignee: **TILLA CARE LTD**, Tirat Carmel (IL)

(\*\*) Term: **15 Years**

OTHER PUBLICATIONS

(21) Appl. No.: **29/686,335**

Tilla care website; Uricap Female; Jun. 30, 2019; <https://www.tillacare.com/>.\*

(22) Filed: **Apr. 3, 2019**

(Continued)

**Related U.S. Application Data**

(63) Continuation of application No. PCT/IL2018/000005, filed on May 27, 2018.

*Primary Examiner* — Nathan M Johnston

(74) *Attorney, Agent, or Firm* — Smith, Gambrell & Russell, LLP

(30) **Foreign Application Priority Data**

Oct. 3, 2018 (IL) ..... 62746  
Feb. 27, 2019 (EM) ..... 006269247-0001

(57) **CLAIM**

The ornamental design for a urinary device, as shown and described.

(51) **LOC (12) Cl.** ..... **24-02**

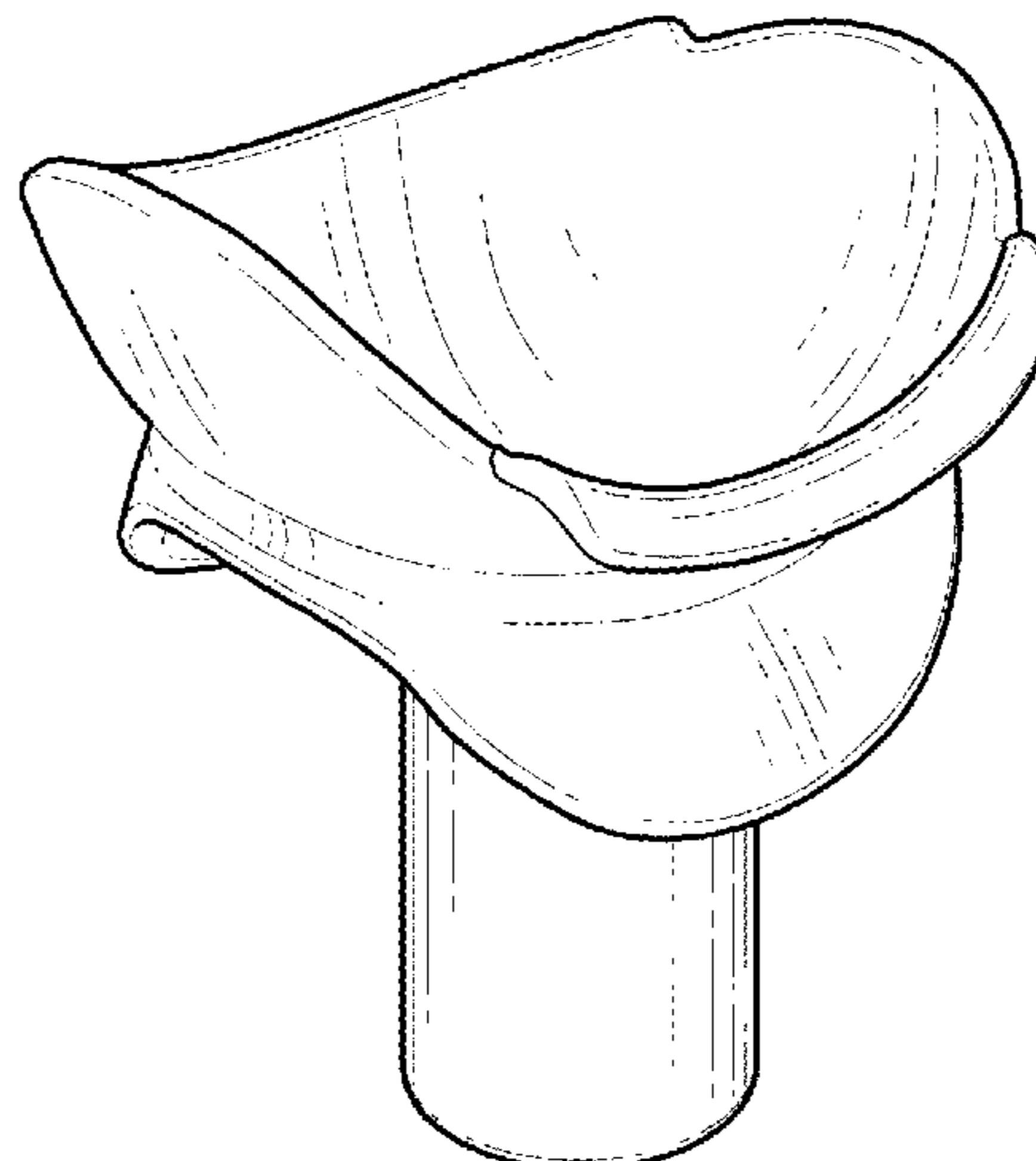
(52) **U.S. Cl.**  
USPC ..... **D24/122**

**DESCRIPTION**

(58) **Field of Classification Search**  
USPC ..... D24/121–123, 112, 207, 216, 224;  
604/317, 318, 334; 600/573, 574;  
4/144.1–144.4, 459, 460; D9/716, 524,  
D9/435, 441, 447, 431; D7/509–511,  
D7/309, 305, 900, 538, 539, 321, 700;  
D23/274, 302, 295, 309, 200; 229/138  
CPC ..... A61F 5/4556; A61F 5/3746; A61F 5/455;

FIG. 1 shows a rear perspective view of an embodiment of the urinary device;  
FIG. 2 shows a front elevation view of the urinary device shown in FIG. 1;  
FIG. 3 shows a right elevation view of the urinary device shown in FIG. 1;  
FIG. 4 shows a top plan view of the urinary device shown in FIG. 1; and,  
FIG. 5 shows a bottom plan view of the urinary device shown in FIG. 1.  
Details shown in broken lines illustrate portions of the urinary device that form no part of the claimed design.

(Continued)



Absent a statement otherwise, portions of the article not shown form no part of the claimed design.

1 Claim, 3 Drawing Sheets

(56)

References Cited

U.S. PATENT DOCUMENTS

4,784,654 A \* 11/1988 Beecher ..... A61F 5/455  
604/329

D393,061 S 3/1998 Mandich et al.

5,893,176 A 4/1999 Magiera et al.

D409,747 S \* 5/1999 Aiken ..... D24/122

6,183,454 B1 2/2001 Levine et al.

D541,116 S \* 4/2007 Upham ..... D7/700

D577,435 S 9/2008 Ivie et al.

D661,957 S \* 6/2012 Lee ..... D7/700

8,235,956 B2 8/2012 Block

8,337,477 B2 12/2012 Parks et al.

D744,641 S \* 12/2015 Aiken ..... D24/122

D767,757 S \* 9/2016 Hole ..... D24/121

D804,654 S 12/2017 Stephen

10,085,876 B2 10/2018 Jones

D871,172 S \* 12/2019 Liao ..... D7/700

2013/0023918 A1 \* 1/2013 Morlet ..... A61F 9/00745  
606/185

2017/0239075 A1 \* 8/2017 Khan ..... A61F 5/4556

2020/0085610 A1 \* 3/2020 Cohn ..... A61F 5/443

OTHER PUBLICATIONS

GoGirl. <https://go-girl.com/product/gogirl-lavender-pink/>. Accessed Mar. 19, 2018.

She Wee. <https://www.amazon.in/Shewee-Extreme-Reusable-Female-Urination/dp/B00OHRIL0I>, Accessed Mar. 19, 2018.

NASA Life Sciences Data Archive, Urine Collection Device (UCD) Hardware Information. <https://lsda.jsc.nasa.gov/Hardware/hardw/764>. Accessed May 2, 2019.

\* cited by examiner

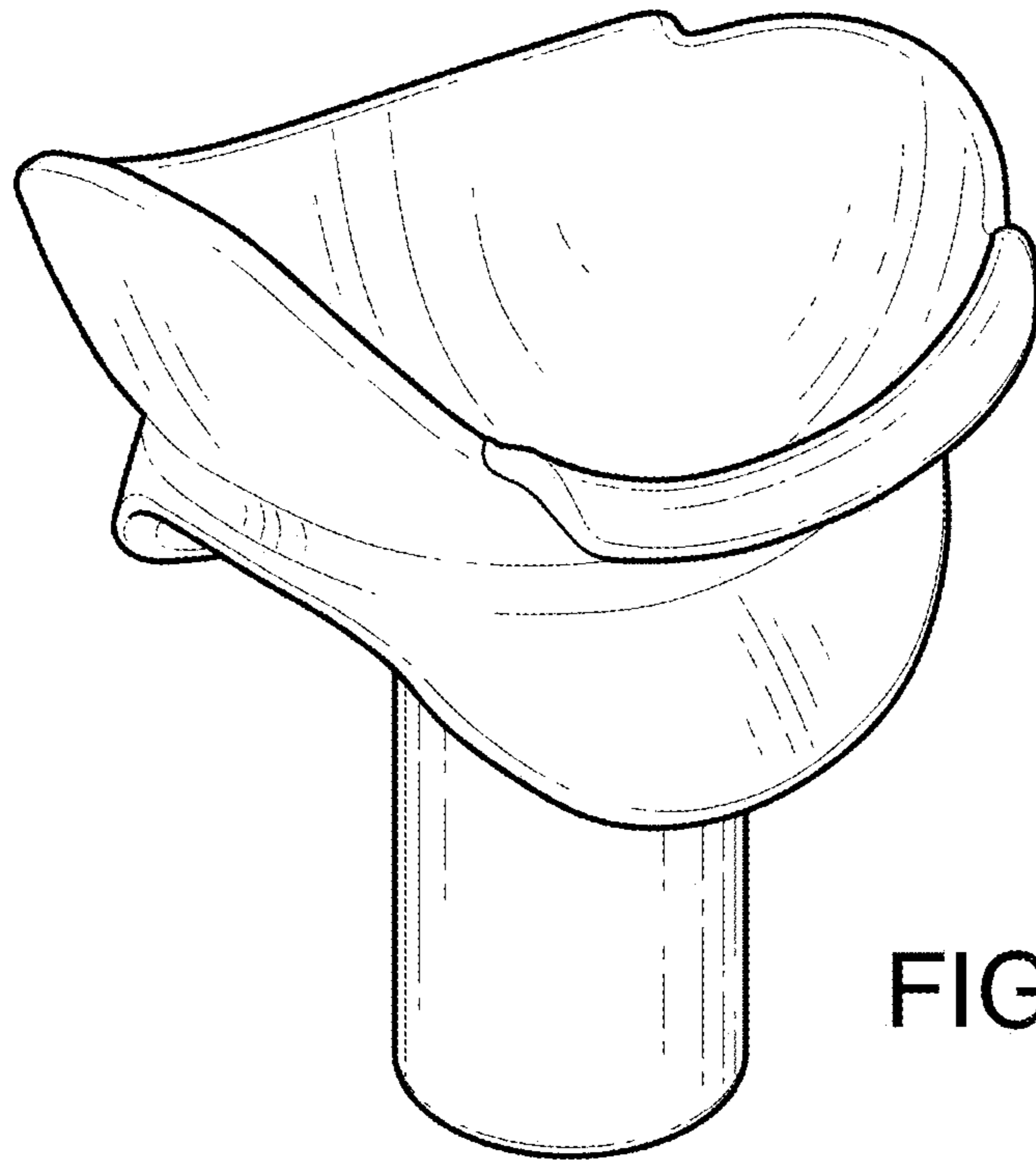


FIG. 1

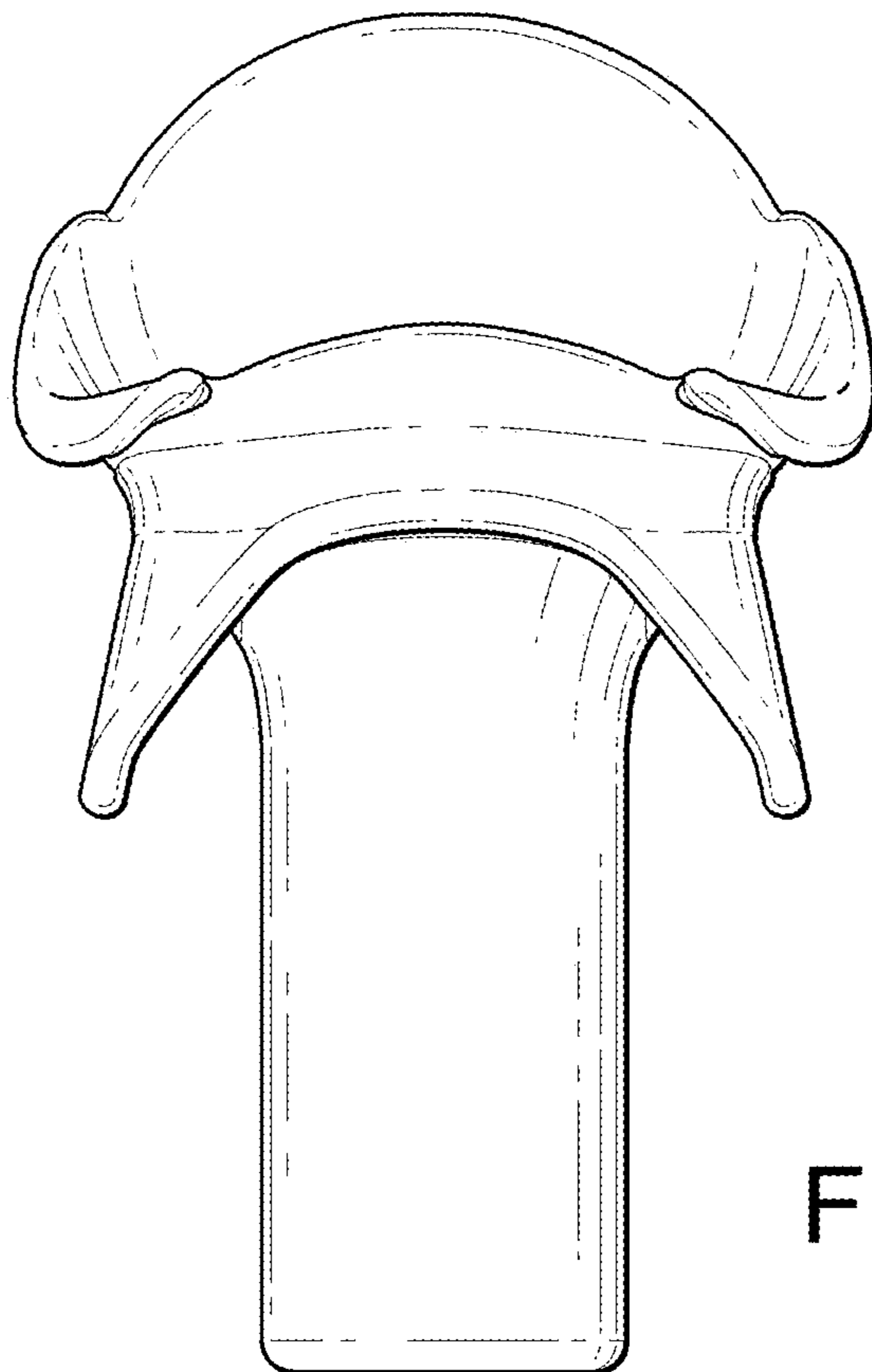


FIG. 2

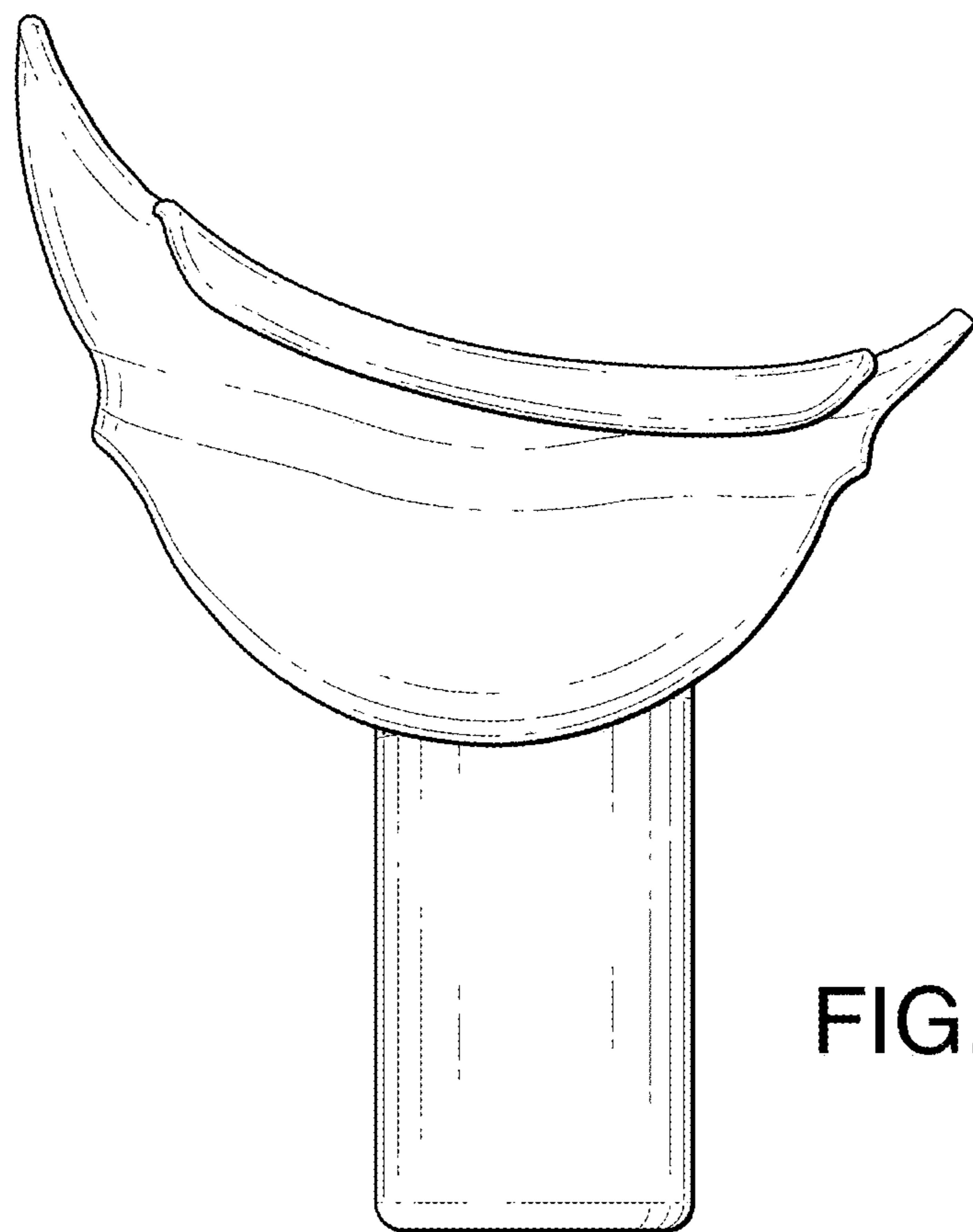


FIG. 3

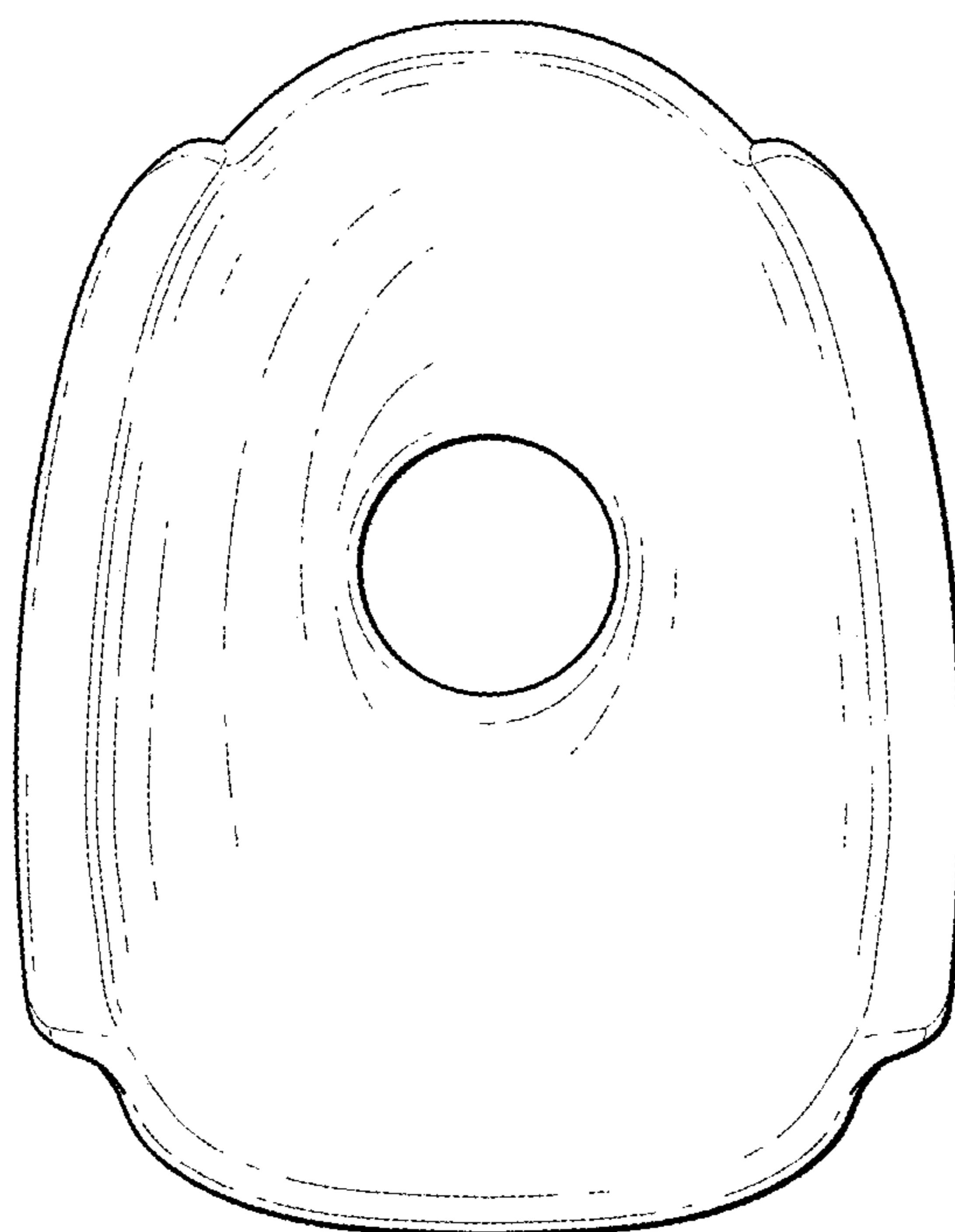


FIG. 4

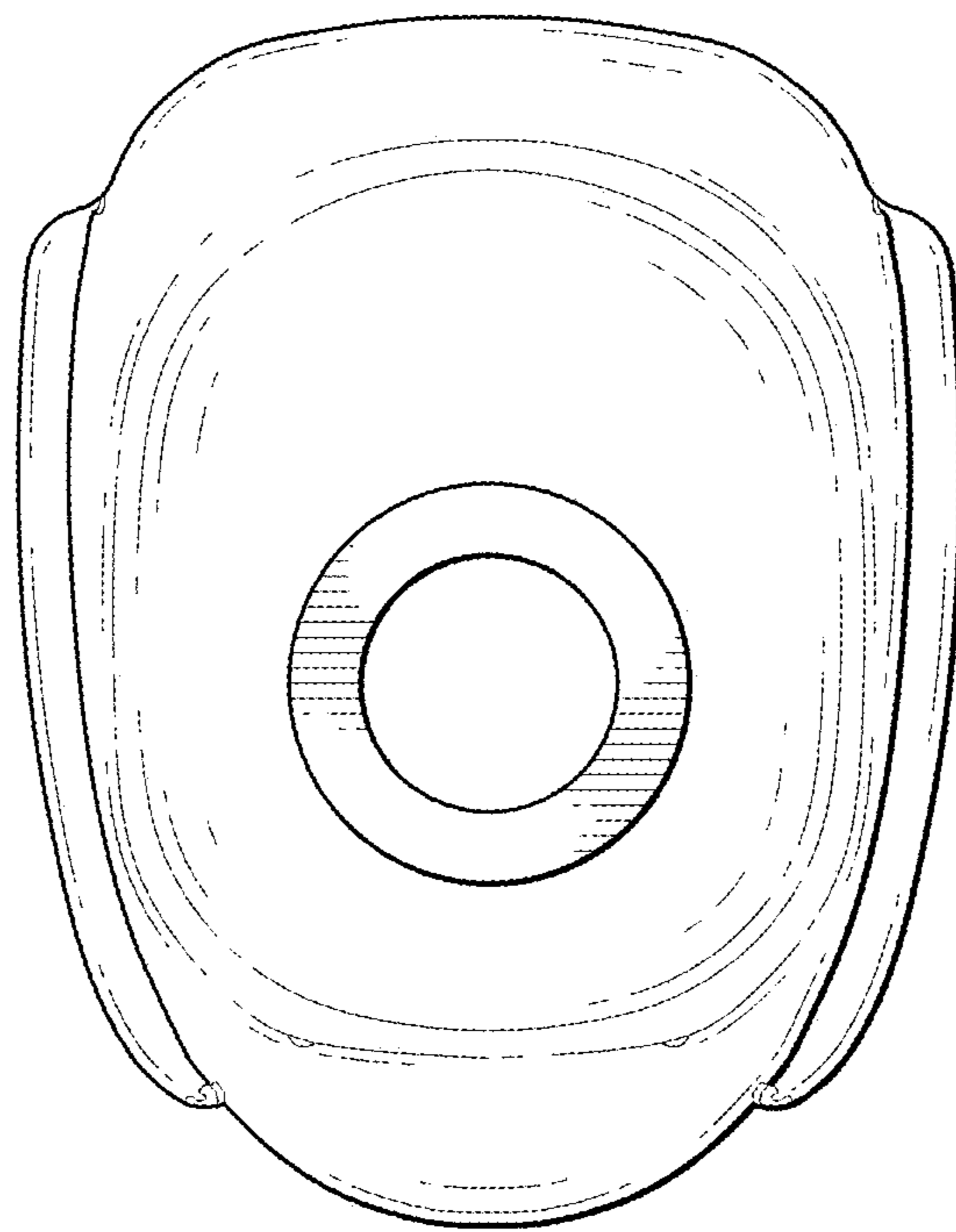


FIG. 5