



US00D899584S

(12) **United States Design Patent** (10) **Patent No.:** **US D899,584 S**
Carrubba et al. (45) **Date of Patent:** **** Oct. 20, 2020**

(54) **RESERVOIR PIEZO DISK ASSEMBLY FOR A NEBULIZER**

(71) Applicant: **Convexity Scientific Inc.**, Fairfield, CT (US)

(72) Inventors: **Vincent F. Carrubba**, Baldwin, NY (US); **Ralph Finger**, Westport, CT (US)

(73) Assignee: **Convexity Scientific Inc.**, Fairfield, CT (US)

(**) Term: **15 Years**

(21) Appl. No.: **29/701,643**

(22) Filed: **Aug. 13, 2019**

(51) **LOC (12) Cl.** **29-02**

(52) **U.S. Cl.**
USPC **D24/110**

(58) **Field of Classification Search**
USPC D24/107-108, 110, 110.5, 127, 164
CPC A61M 11/005; A61M 15/0085; A61M 11/00; A61M 16/14; A61M 11/02; A61M 15/00; A61M 15/0001; A61M 15/001; A61M 11/08; A61M 15/0021; A61M 15/0023; A61M 11/001; A61M 11/002; A61M 2205/50; A61M 2016/0021; A61M 11/003

See application file for complete search history.

(56) **References Cited**

U.S. PATENT DOCUMENTS

5,070,870 A * 12/1991 Pearce A61M 15/0028
128/203.12
D350,602 S * 9/1994 Hobbs D24/110
D363,775 S * 10/1995 Hobbs D24/110
9,050,424 B2 * 6/2015 Van Der Mark B05B 17/06
D814,019 S * 3/2018 Crosby D24/110
10,092,924 B2 * 10/2018 Hogan A61M 15/0085
D856,508 S * 8/2019 O'Brien D24/110

10,493,217 B2 * 12/2019 McPherson Allnutt
A61M 15/0085
2008/0006264 A1 * 1/2008 Gallem A61M 15/0021
128/200.14
2008/0308096 A1 * 12/2008 Borgschulte A61M 11/005
128/200.14

(Continued)

FOREIGN PATENT DOCUMENTS

CN 304433122 * 12/2017

OTHER PUBLICATIONS

Flyp Nebulizer—Product Features Video. Posted by Flyp Nebulizer. YouTube. Date uploaded: Jul. 26, 2018. Retrieved from Internet: https://www.youtube.com/watch?v=tGT4Gqlpgbc&feature=emb_logo (Year: 2018).*

(Continued)

Primary Examiner — Lilyana Bekic

(74) *Attorney, Agent, or Firm* — Schwegman Lundberg & Woessner, P.A.

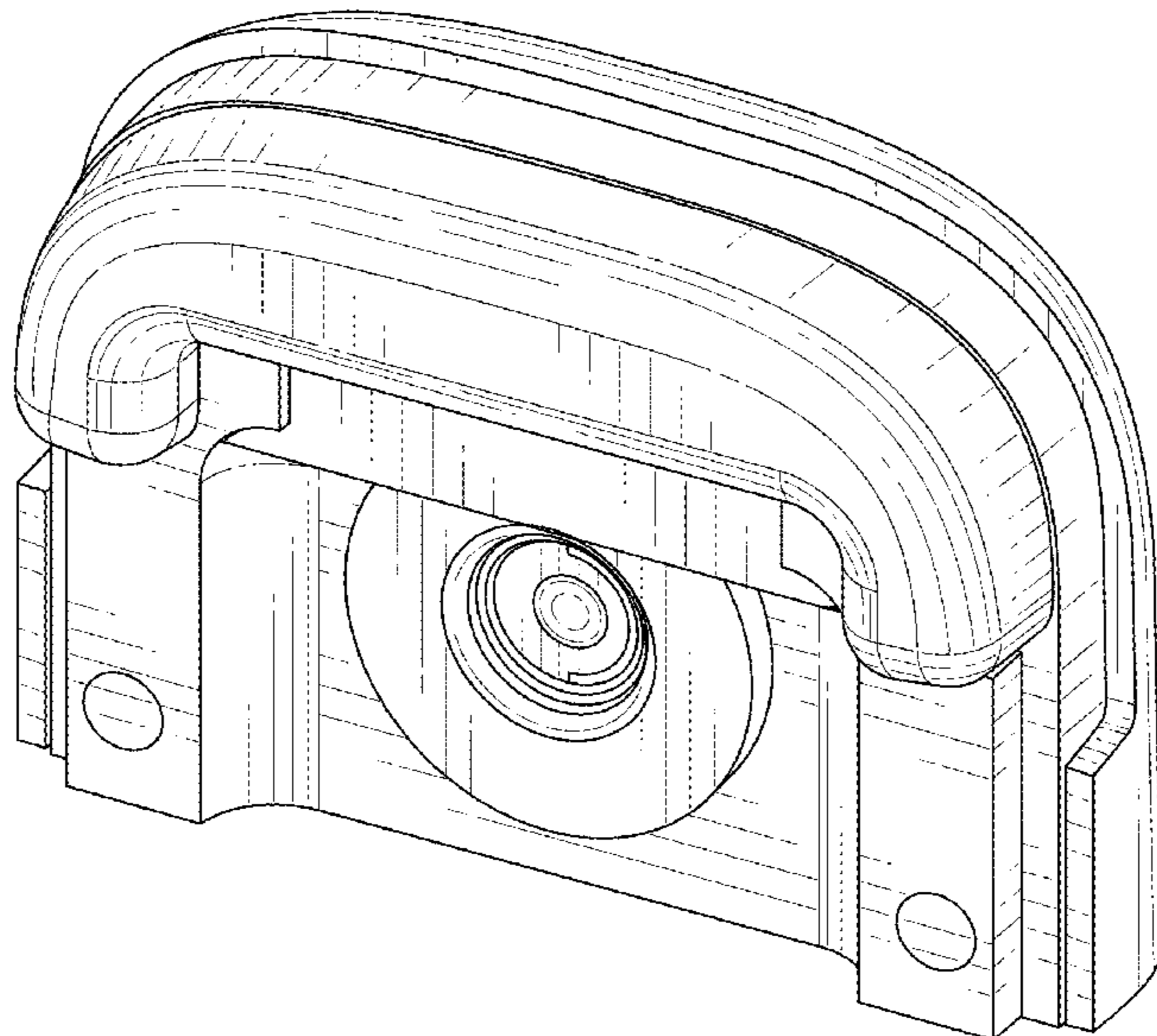
(57) **CLAIM**

The ornamental design for a reservoir piezo disk assembly for a nebulizer, as shown and described.

DESCRIPTION

FIG. 1 is a perspective view of a reservoir piezo disk assembly for a nebulizer showing our new design; FIG. 2 is a back view thereof; FIG. 3 is a front view thereof; FIG. 4 is a left view thereof; FIG. 5 is a right view thereof; FIG. 6 is a bottom view thereof; and, FIG. 7 is a top view thereof. Broken lines in the drawings depict portions of the reservoir piezo disk assembly for a nebulizer that form no part of the claimed design.

1 Claim, 4 Drawing Sheets



(56)

References Cited

U.S. PATENT DOCUMENTS

2010/0213274 A1* 8/2010 Yu B05B 17/0646
239/102.2
2010/0326431 A1* 12/2010 Yu B05B 17/0646
128/200.14
2016/0199594 A1* 7/2016 Finger A61M 15/0023
128/200.16
2016/0271343 A1* 9/2016 Abate A61M 11/001
2018/0028441 A1* 2/2018 Cashman A61M 15/0085
2019/0001366 A1* 1/2019 Von Hollen B05B 15/14
2019/0231991 A1* 8/2019 Tsai A61M 15/0085
2019/0298945 A1* 10/2019 Akouka A61M 15/0051
2019/0299261 A1* 10/2019 Cheng A61M 15/0021
2020/0120989 A1* 4/2020 Danek A24F 47/002

OTHER PUBLICATIONS

FLYP Nebulizer. Flypnebulizer.com. Earliest date reviewed: May 18, 2018. Retrieved from Internet: <https://flypnebulizer.com/products/flyp-nebulizer#shopify-product-reviews> (Year: 2018).*

* cited by examiner

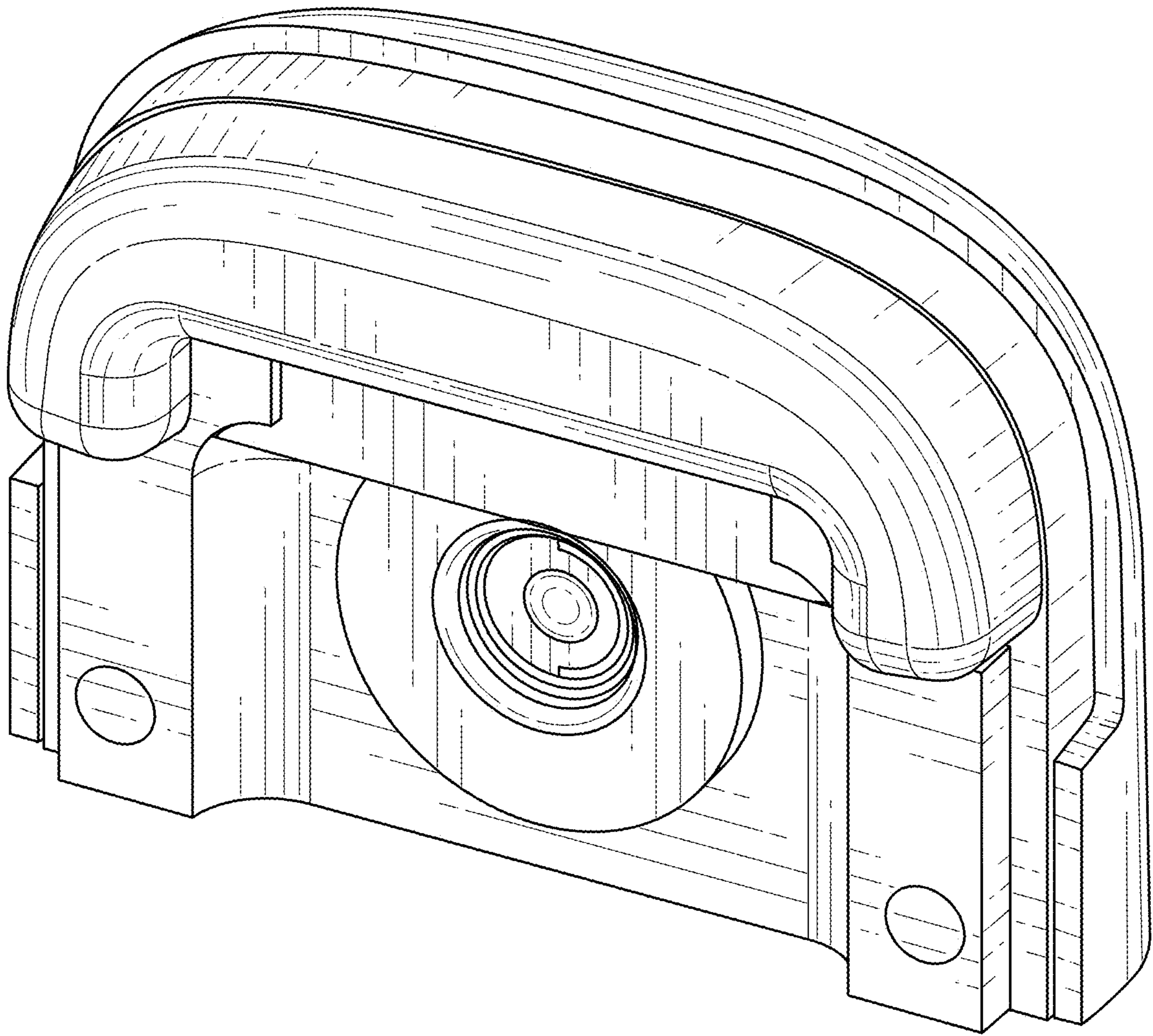


FIG. 1

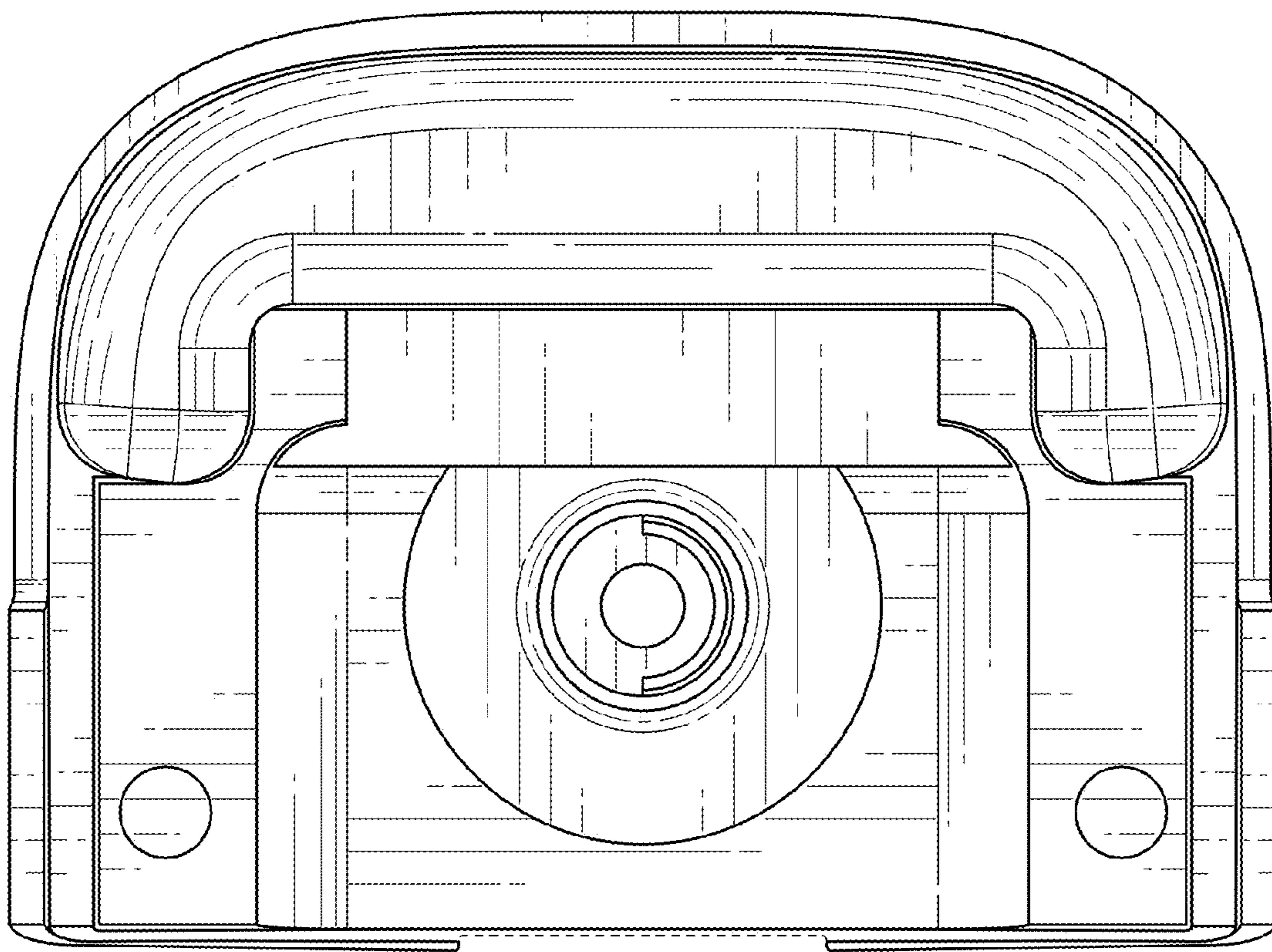


FIG. 2

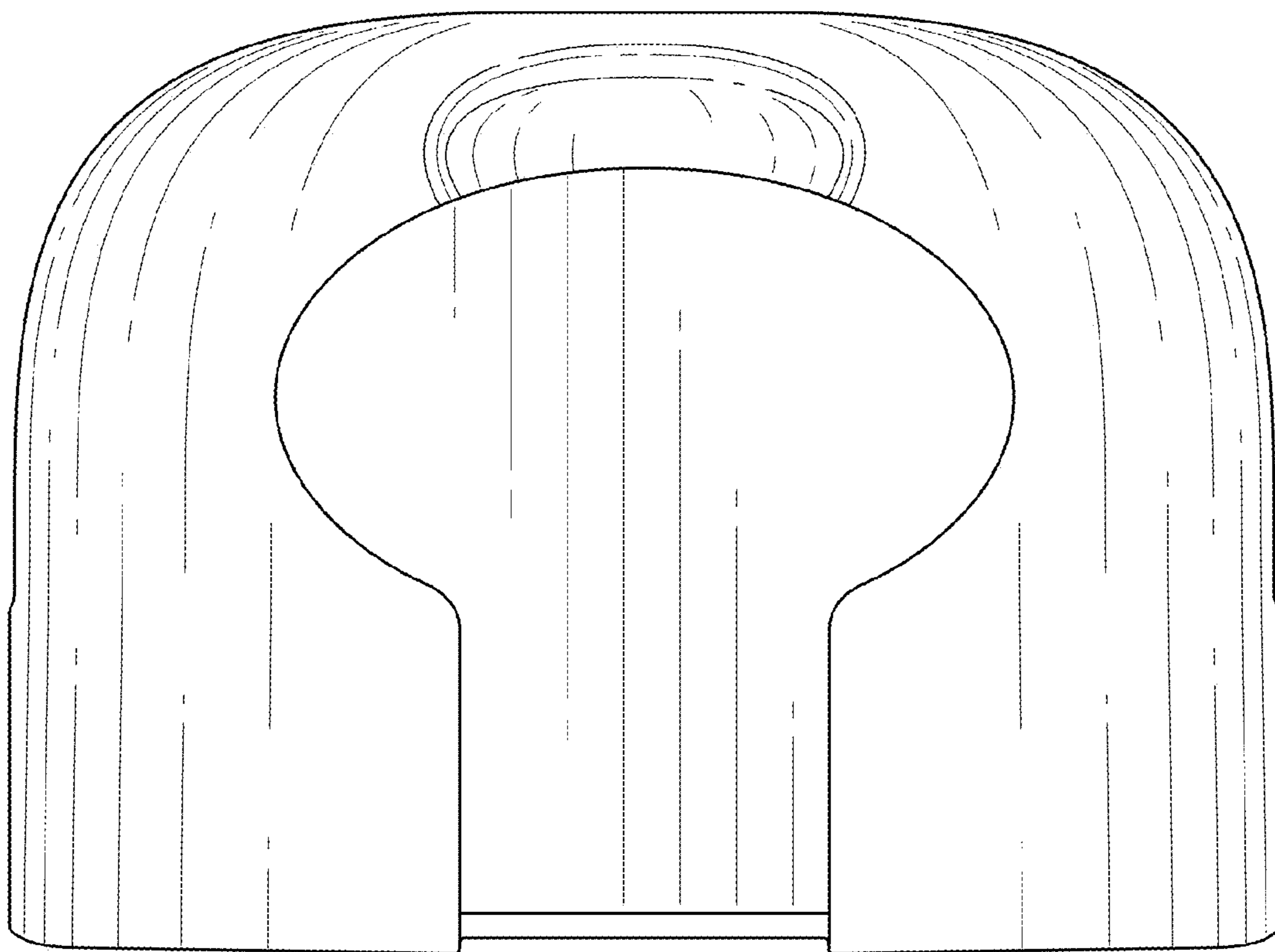


FIG. 3

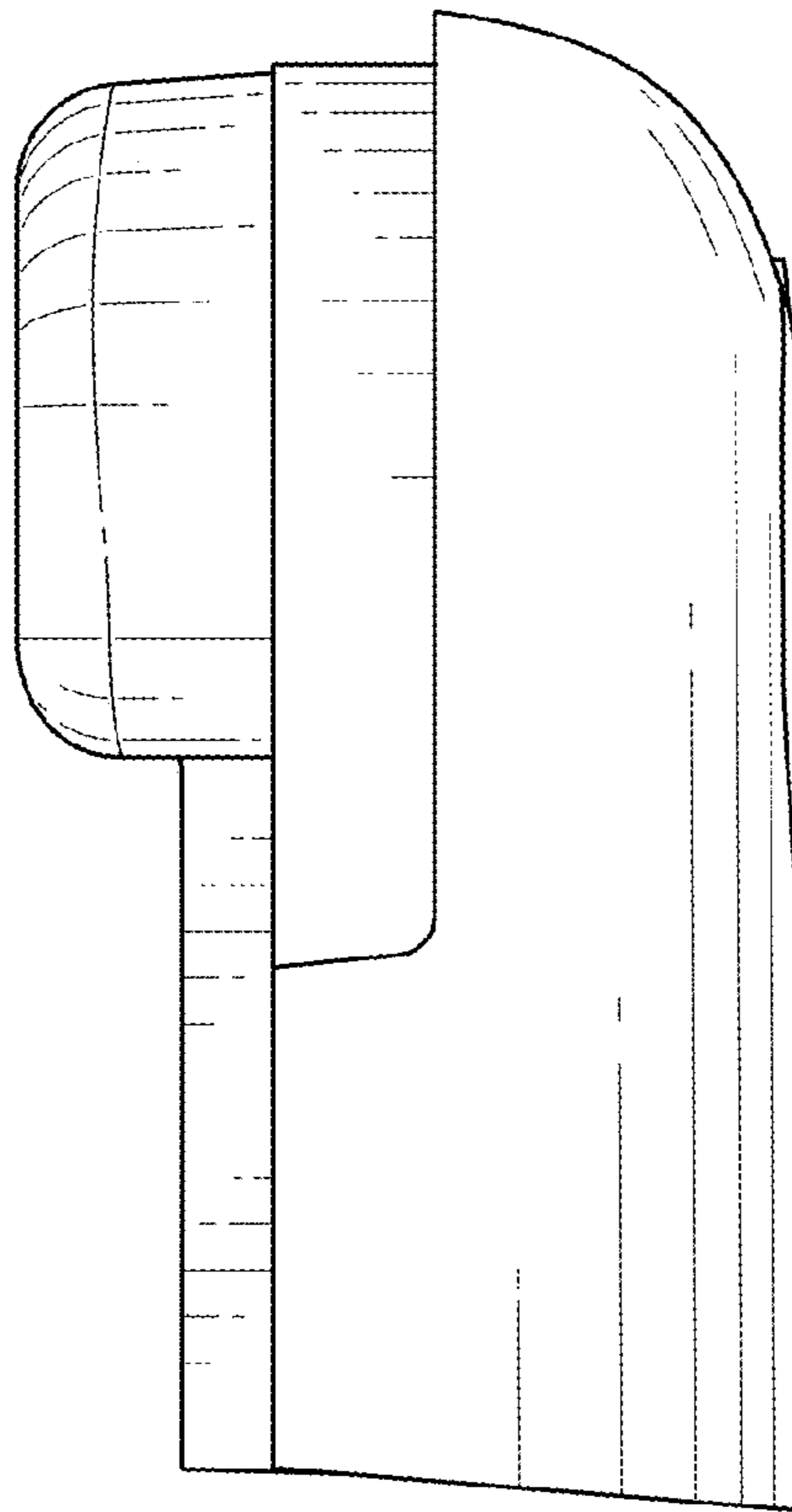


FIG. 4

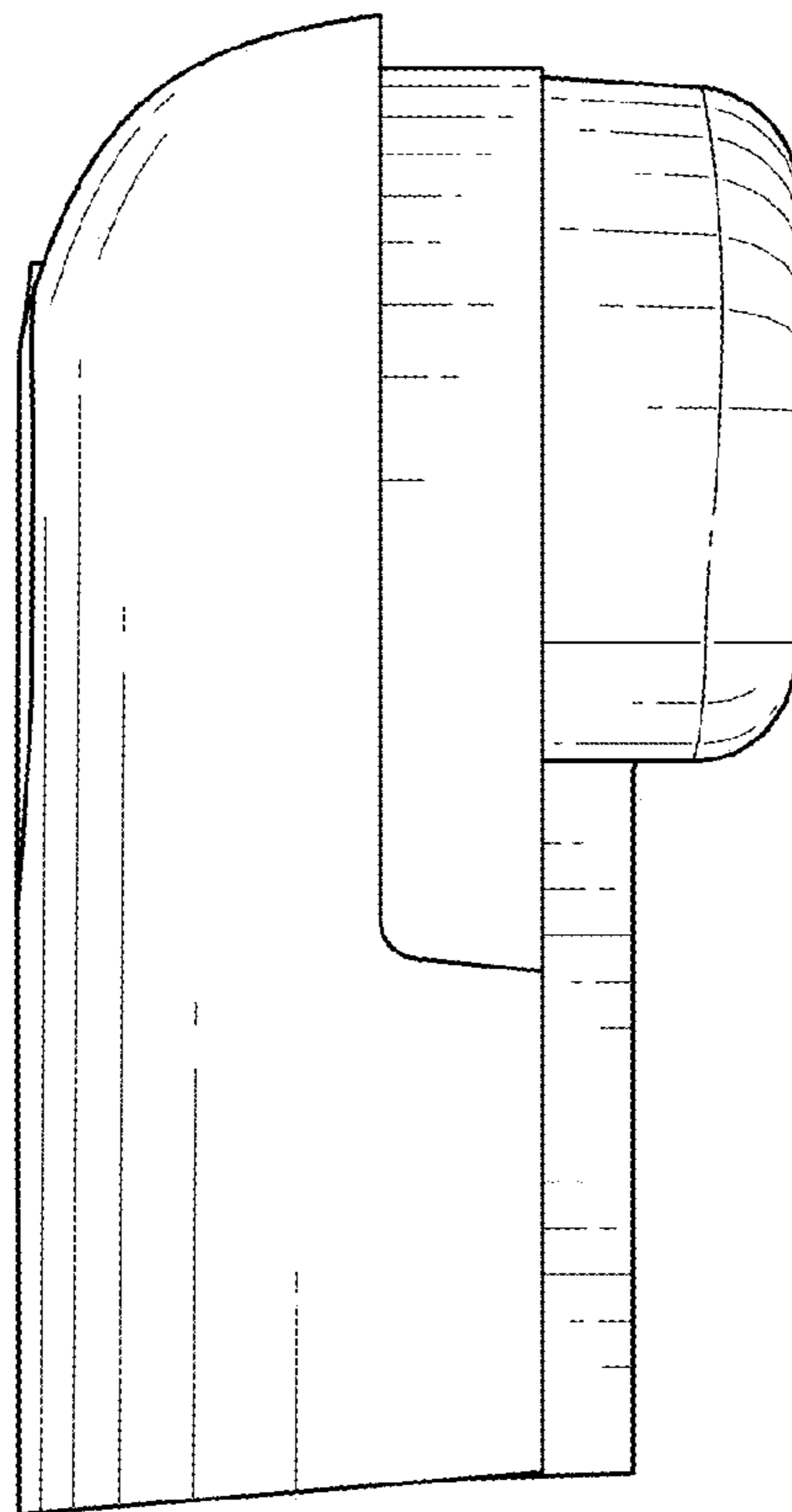


FIG. 5

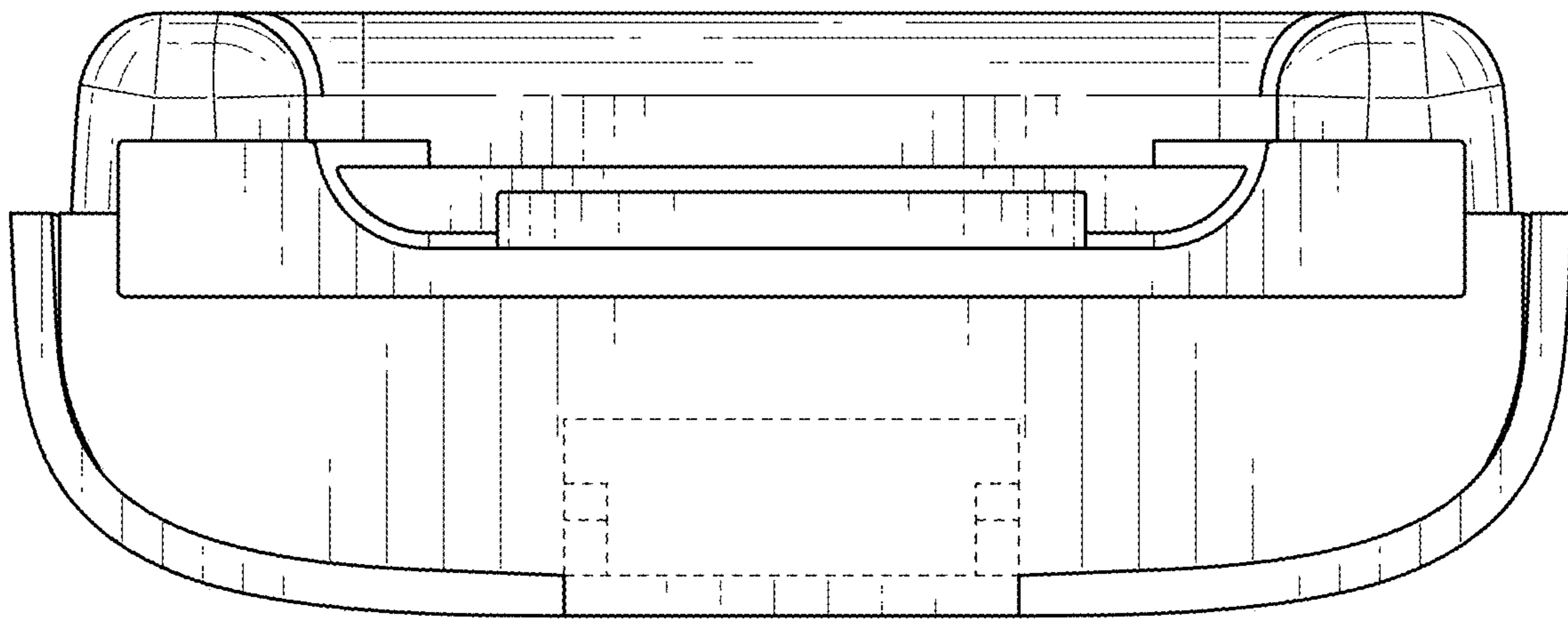


FIG. 6

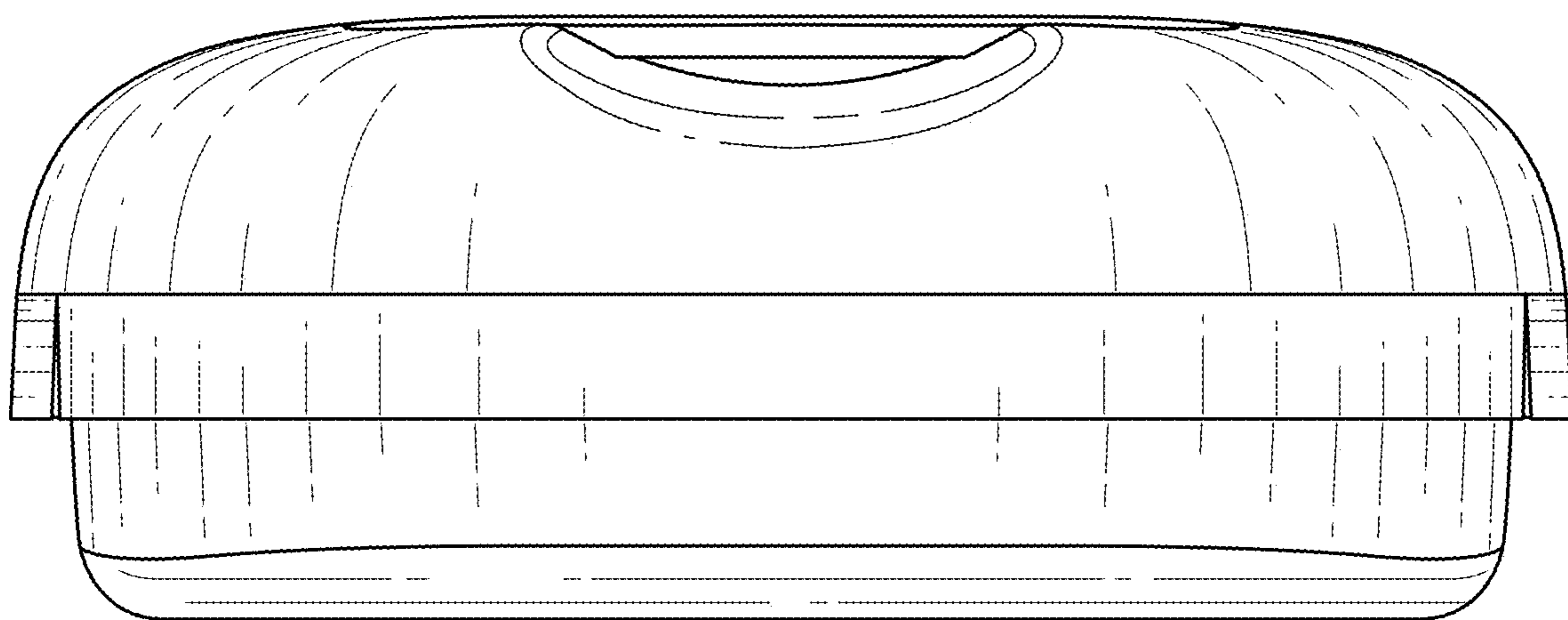


FIG. 7