



US00D899582S

(12) **United States Design Patent** (10) **Patent No.:** **US D899,582 S**
Appiahene-Agyei et al. (45) **Date of Patent:** **** Oct. 20, 2020**

(54) **VENTILATION GRILLE**
(71) Applicant: **Broan-NuTone LLC**, Hartford, WI (US)
(72) Inventors: **Kwame Appiahene-Agyei**, Austin, TX (US); **David Jennings Lucas**, Austin, TX (US)

2,182,690 A 12/1939 Cole
D118,359 S 1/1940 Arenberg
D120,266 S 4/1940 Kurth et al.
D120,772 S 5/1940 Arenberg
D120,773 S 5/1940 Arenberg
2,220,127 A 11/1940 Slayter
2,222,081 A 11/1940 Leigh
D126,128 S 3/1941 Hallman

(Continued)

(73) Assignee: **Broan-NuTone LLC**, Hartford, WI (US)

OTHER PUBLICATIONS

Canadian Application No. 165,015, Response filed Mar. 10, 2016 to Office Action dated Nov. 10, 2015 (7 pages.).

(Continued)

(**) Term: **15 Years**

Primary Examiner — Marie D. Fast Horse

(21) Appl. No.: **29/677,513**

(74) *Attorney, Agent, or Firm* — Barnes & Thornburg LLP

(22) Filed: **Jan. 22, 2019**

(51) **LOC (12) Cl.** **23-04**

(52) **U.S. Cl.**
USPC **D23/412; D23/385**

(57) **CLAIM**

(58) **Field of Classification Search**
USPC D23/370–373, 381–387, 393, 399, 499, D23/377–379, 411, 412; D26/59
CPC F04D 25/088; F04D 29/005; F04D 29/601; F04D 29/324; F21V 33/0092; F21V 33/0096; F24F 13/078
See application file for complete search history.

The ornamental design for a ventilation grill, as shown and described.

DESCRIPTION

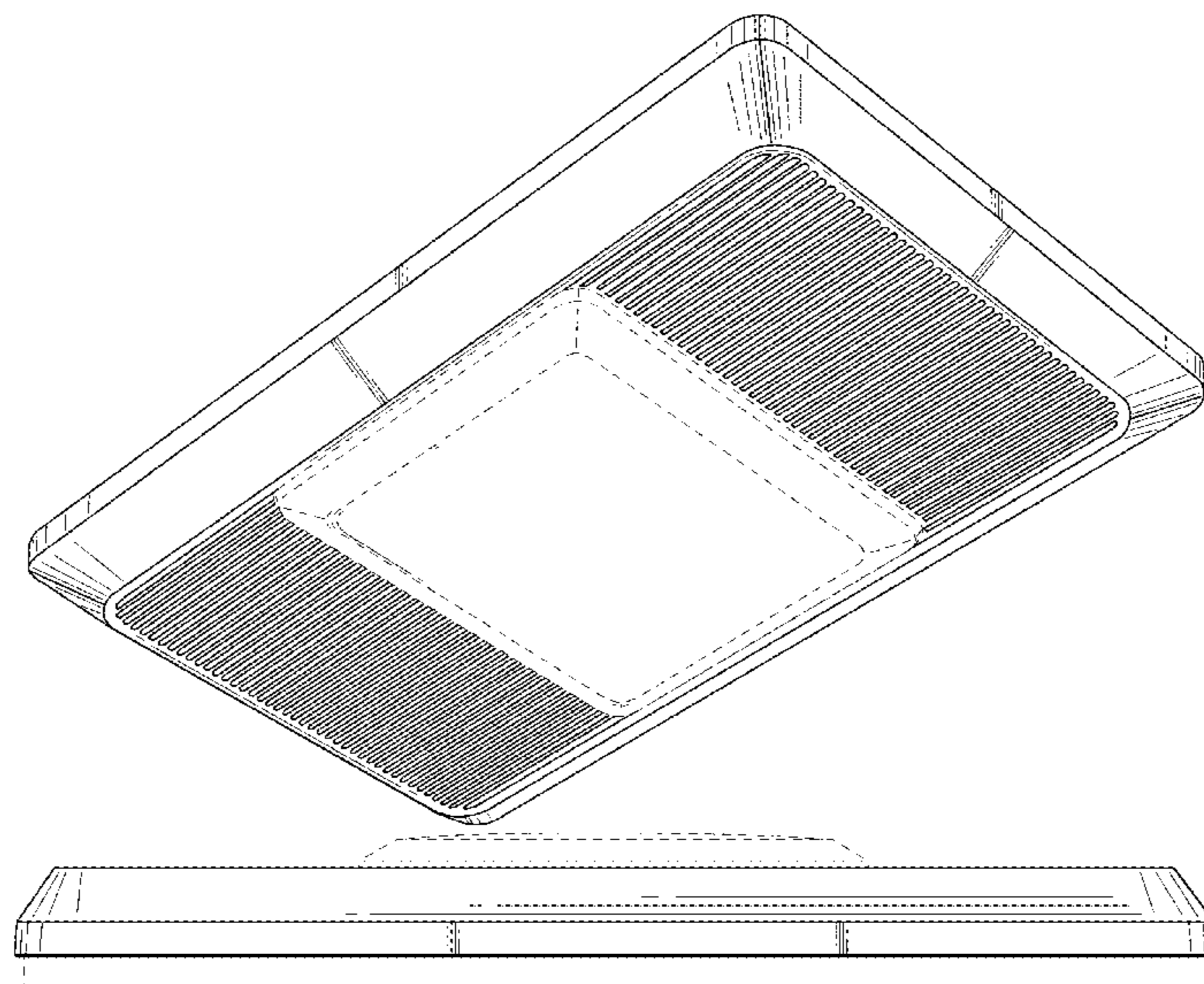
(56) **References Cited**

U.S. PATENT DOCUMENTS

1,030,028 A 6/1912 Stampahar et al.
1,395,833 A 11/1921 Kling et al.
1,532,635 A 4/1925 Osbun
1,713,101 A 5/1929 Starrett
1,886,841 A 11/1932 Searles
1,895,642 A 1/1933 Preble
1,941,450 A 1/1934 Sylvan
2,019,867 A 11/1935 Nelson
2,021,086 A 11/1935 Oskamp
D107,399 S 12/1937 Broadwin
2,108,283 A 2/1938 Drew et al.
D109,887 S 5/1938 Fordyce

FIG. 1 is a bottom perspective view of the ventilation grille of the instant invention;
FIG. 2 is a top perspective view of the grille of FIG. 1;
FIG. 3 is a bottom view of the grille of FIG. 1;
FIG. 4 is a top view of the grille of FIG. 1;
FIG. 5 is a left side view of the grille of FIG. 1;
FIG. 6 is a right side view of the grille of FIG. 1;
FIG. 7 is a front side view of the grille of FIG. 1;
FIG. 8 is a rear side view of the grille of FIG. 1; and,
FIG. 9 is a cross-sectional view of the grille of FIG. 1.
Those portions of the present invention which are presented in phantom illustrate the environment of the design only and form no part of the claimed design. Moreover, any shading is provided merely to highlight the contour of the invention and is not intended to be illustrative of texture or gloss.

1 Claim, 7 Drawing Sheets



(56)

References Cited

U.S. PATENT DOCUMENTS

2,240,617 A	5/1941	Harrigan	3,952,638 A	4/1976	Felter et al.
2,278,581 A	4/1942	MacDougald	D244,764 S	6/1977	Grubauer
D132,865 S	6/1942	Drollinger	D244,854 S	6/1977	Salamone
2,325,657 A	8/1943	Burkness	4,073,597 A	2/1978	Barnhart et al.
D153,313 S	4/1949	Phillips	4,115,082 A	9/1978	Newell
2,472,748 A	6/1949	Labus	4,141,703 A	2/1979	Mulchi
2,483,377 A	9/1949	Young	4,203,332 A	5/1980	Corsetti
D157,014 S	1/1950	Walker	D256,047 S	7/1980	Wormington
2,576,860 A	11/1951	Shapiro	D257,060 S	9/1980	Mann
D165,982 S	2/1952	Kennedy	D258,083 S	1/1981	Gammell
D166,324 S	4/1952	Kurth	4,252,547 A	2/1981	Johnson
D171,505 S	2/1954	Krueger	D261,803 S	11/1981	Bohanon
2,668,491 A	2/1954	Gerlitz	D262,457 S	12/1981	Swales
2,673,514 A	3/1954	Hanks	4,319,898 A	3/1982	Maierhofer
D173,120 S	9/1954	Levenhagen	4,335,647 A	6/1982	Timmons
2,689,906 A	9/1954	Corbett	4,336,749 A	6/1982	Barnhart et al.
2,697,163 A	12/1954	Spear	D267,828 S	2/1983	Cohen
2,710,573 A	6/1955	Marker	D268,952 S	5/1983	Anderson
2,780,981 A	2/1957	Miller	4,382,440 A	5/1983	Kapp et al.
2,790,375 A	4/1957	Broberg	4,385,550 A	5/1983	Steiner et al.
2,799,213 A	7/1957	Hansen	4,385,911 A	5/1983	Popeil et al.
2,800,069 A	7/1957	Smith	4,406,216 A	9/1983	Hott et al.
D180,727 S	8/1957	Bourner	D271,984 S	12/1983	Nelson et al.
2,811,094 A	10/1957	Auer	D275,988 S	10/1984	Walker
2,824,429 A	2/1958	Zucker	D276,282 S	11/1984	Burg
2,831,550 A	4/1958	Bub	D277,298 S	1/1985	Nelson
D183,117 S	7/1958	Coleman et al.	D277,299 S	1/1985	Nelson
2,875,678 A	3/1959	Shepherd	4,510,851 A	4/1985	Samosky et al.
2,911,900 A	11/1959	Rudy	D282,275 S	1/1986	Price
2,939,377 A	6/1960	Stach	D282,972 S	3/1986	Castor et al.
2,963,956 A	12/1960	Hill	4,594,940 A	6/1986	Wolbrink et al.
2,987,258 A	6/1961	North	4,610,705 A	9/1986	Samosky et al.
2,996,972 A	8/1961	Johansson	D286,446 S	10/1986	Caroli et al.
3,001,056 A	9/1961	Spear	4,628,802 A	12/1986	Steiner et al.
3,002,676 A	10/1961	Papsdorf	D287,888 S	1/1987	Castor et al.
D192,312 S	2/1962	Hart	D288,007 S	1/1987	Jonas et al.
3,028,475 A	4/1962	Nash	D288,396 S	2/1987	Ritman
3,045,579 A	7/1962	Jenn et al.	4,681,024 A	7/1987	Ivey
D193,868 S	10/1962	Bloomfield et al.	4,722,266 A	2/1988	Deckert
3,064,548 A	11/1962	Field	D295,675 S	5/1988	Demarest
3,068,341 A	12/1962	Ortiz et al.	4,754,697 A	7/1988	Asselbergs
3,075,335 A	1/1963	Bandlow	4,776,798 A	10/1988	Crawford
3,097,287 A	7/1963	Knoll et al.	D300,777 S	4/1989	Bales et al.
3,101,662 A	8/1963	Alldritt	D300,847 S	4/1989	Lin
D196,618 S	10/1963	Hammes	4,862,334 A	8/1989	Ivey et al.
D199,045 S	9/1964	Everts	D303,436 S	9/1989	Clyde-Mason
3,211,080 A	10/1965	Rader	4,867,640 A	9/1989	Penlesky et al.
3,212,425 A	10/1965	Hazen et al.	4,991,496 A	2/1991	Kuno et al.
3,215,828 A	11/1965	Bonvallet et al.	D315,790 S	3/1991	Koessler
3,249,037 A	5/1966	Stalker	D322,667 S	12/1991	Fukuda et al.
3,250,063 A	5/1966	Andrews	D323,209 S	1/1992	Fukumoto et al.
3,276,597 A	10/1966	Mesek et al.	D323,554 S	1/1992	Hoyt et al.
3,326,112 A	6/1967	Sadlow et al.	D325,434 S	4/1992	Dosmann
3,332,334 A	7/1967	Melzer	D325,651 S	4/1992	Sonneman
3,347,025 A	10/1967	Wiley	D328,650 S	8/1992	Jones
3,391,689 A	7/1968	Roger	D330,585 S	10/1992	Saito et al.
3,438,180 A	4/1969	Klouda	D331,458 S	12/1992	Saito et al.
3,460,322 A	8/1969	Rivers et al.	D331,638 S	12/1992	Vamberszky et al.
3,572,234 A	3/1971	Schoenthaler	D334,053 S	3/1993	Cook
3,577,710 A	5/1971	Feldman	5,197,920 A	3/1993	Ganse
3,606,593 A	9/1971	Steiner	D334,977 S	4/1993	Avari
3,630,007 A	12/1971	Neumann	D336,895 S	6/1993	Rogov
3,636,306 A	1/1972	Bumpus	D338,954 S	8/1993	Brock
3,665,838 A	5/1972	Shepherd	D340,109 S	10/1993	Julien
3,692,977 A	9/1972	Duhamel et al.	D341,442 S	11/1993	Shapiro
3,698,833 A	10/1972	Cann et al.	5,319,942 A	6/1994	Paustian et al.
3,732,030 A	5/1973	Mullings	D349,778 S	8/1994	Johnson et al.
3,743,439 A	7/1973	Cann	D350,191 S	8/1994	Tsuji
D229,181 S	11/1973	Bledsoe	5,333,830 A	8/1994	Millen
3,777,650 A	12/1973	Wenig	D350,409 S	9/1994	Johnson et al.
3,785,271 A	1/1974	Joy	D352,564 S	11/1994	Marischen
3,788,207 A	1/1974	Doherty	D357,732 S	4/1995	Spechts et al.
3,861,894 A	1/1975	Marsh	D361,375 S	8/1995	Gallagher et al.
3,875,678 A	4/1975	Vits	D362,059 S	9/1995	Wojcik
3,926,537 A	12/1975	Piper	D366,521 S	1/1996	Wijaranakula
			D366,522 S	1/1996	Lagace et al.
			D367,924 S	3/1996	Patel et al.
			D372,767 S	8/1996	Borges
			D372,775 S	8/1996	Schuler

(56)

References Cited

U.S. PATENT DOCUMENTS

D374,927 S 10/1996 Chabot
 D375,350 S 11/1996 Patel et al.
 D376,214 S 12/1996 Pinchuk
 D376,639 S 12/1996 Moore
 D376,842 S 12/1996 Franklin et al.
 D377,535 S 1/1997 Shulman
 5,601,485 A 2/1997 Gigola
 D378,698 S 4/1997 Ukai et al.
 5,632,334 A 5/1997 Grinbergs et al.
 D382,549 S 8/1997 Yoshimoto
 D386,186 S 11/1997 Schnetzer et al.
 D386,209 S 11/1997 Firestone et al.
 D387,859 S 12/1997 Ukai et al.
 D388,353 S 12/1997 Desborough et al.
 D393,708 S 4/1998 Assadi
 D395,494 S 6/1998 Becker
 D396,275 S 7/1998 Pearson
 D398,417 S 9/1998 Fritzsche et al.
 5,820,247 A 10/1998 Schuler
 D401,682 S 11/1998 Galeazzi et al.
 D403,442 S 12/1998 Joss
 D403,787 S 1/1999 Van Belle
 D404,508 S 1/1999 Marischen
 D405,207 S 2/1999 Mora
 D407,473 S 3/1999 Wimbock
 D407,521 S 3/1999 Crosby
 5,879,232 A 3/1999 Luter et al.
 D409,449 S 5/1999 Cornelissen
 5,918,972 A 7/1999 Van Belle
 D412,566 S 8/1999 Taras et al.
 D414,253 S 9/1999 Kobayashi et al.
 5,971,847 A 10/1999 Webb
 D416,315 S 11/1999 Nanjo
 D416,349 S 11/1999 Pahl
 D417,307 S 11/1999 Pahl
 D418,909 S 1/2000 Mockett
 D420,121 S 2/2000 Felix-Flender
 6,027,406 A 2/2000 Yazici
 D424,672 S 5/2000 Nanjo
 D425,974 S 5/2000 Esty et al.
 D426,124 S 6/2000 Kassalen et al.
 D426,292 S 6/2000 Nanjo
 D426,657 S 6/2000 Joss
 D427,009 S 6/2000 Iyengar et al.
 D427,303 S 6/2000 Brown
 D428,645 S 7/2000 Rossman et al.
 6,227,962 B1 5/2001 Orendorff
 6,261,175 B1 7/2001 Larson et al.
 6,464,579 B1 10/2002 Salazar
 6,488,579 B2 12/2002 Larson et al.
 6,503,060 B1 1/2003 Kamada et al.
 6,537,146 B1 3/2003 Haynes
 6,651,454 B1 11/2003 Spiegel
 6,653,566 B2 11/2003 Petak et al.
 6,723,428 B1 4/2004 Foss et al.
 6,750,760 B2 6/2004 Albritton et al.
 6,889,948 B2 5/2005 Melancon et al.
 D510,996 S * 10/2005 Vladika D23/385
 D512,503 S * 12/2005 Roland D23/412
 6,979,169 B2 12/2005 Penlesky et al.
 D535,431 S * 1/2007 Roland D26/118
 D535,433 S * 1/2007 Craw D26/119
 7,203,416 B2 4/2007 Craw et al.
 7,328,478 B2 2/2008 Jenkins
 D565,716 S * 4/2008 Jacak D23/371
 D565,717 S * 4/2008 Jacak D23/371
 D570,465 S * 6/2008 Miyake D23/371
 D574,478 S * 8/2008 Miyake D23/371
 D577,805 S * 9/2008 Adrian D23/371
 D581,508 S * 11/2008 Miyake D23/371
 7,537,647 B2 5/2009 Adair et al.
 7,581,717 B1 9/2009 Thurlkill
 7,596,960 B2 10/2009 Bae
 7,850,513 B1 12/2010 Parker et al.
 D653,323 S * 1/2012 Jacak D23/371

D654,998 S * 2/2012 Zakula D23/371
 D655,403 S * 3/2012 Zakula D23/388
 8,256,241 B2 9/2012 Ikeda et al.
 D678,497 S * 3/2013 Tom D26/59
 D678,995 S * 3/2013 Hoshino D23/388
 D679,786 S * 4/2013 Szelove D23/314
 D681,794 S * 5/2013 Lin D23/371
 D702,827 S * 4/2014 Mase D23/370
 D705,417 S * 5/2014 Lin D23/371
 8,864,447 B1 10/2014 Humphrey
 9,022,846 B1 5/2015 Tom
 9,028,212 B1 5/2015 Tom
 9,103,104 B1 8/2015 Tom
 9,131,814 B2 9/2015 Nakamura et al.
 9,182,138 B2 11/2015 Foreman et al.
 9,188,132 B1 11/2015 Tom
 9,212,668 B2 12/2015 Deng et al.
 9,303,859 B2 4/2016 Horng et al.
 9,303,888 B2 4/2016 Karst et al.
 D778,424 S * 2/2017 Jonas D23/388
 D779,050 S * 2/2017 Jonas D23/388
 D784,511 S * 4/2017 Jonas D23/388
 D799,677 S * 10/2017 Jonas D23/385
 D799,678 S * 10/2017 Jonas D23/385
 D799,679 S * 10/2017 Jonas D23/385
 D800,294 S * 10/2017 Jonas D23/385
 D800,295 S * 10/2017 Jonas D23/385
 D815,724 S * 4/2018 Jonas D23/385
 D850,609 S * 6/2019 Bergin D23/387
 D883,467 S * 5/2020 Jonas D23/412
 D884,869 S * 5/2020 Jonas D23/385
 D884,870 S * 5/2020 Bergin D23/387
 D886,983 S * 6/2020 Jonas D23/385
 2013/0088855 A1 4/2013 Ye
 2015/0117034 A1 4/2015 Horng
 2015/0125292 A1 5/2015 Karst
 2016/0069561 A1 3/2016 Jonas

OTHER PUBLICATIONS

U.S. Appl. No. 29/521,663, Corrected Notice of Allowance dated Mar. 30, 2016 (4 pages).
 U.S. Appl. No. 29/514,061, Non Final Office Action dated May 19, 2016 (19 pages).
 U.S. Appl. No. 29/514,063, Non Final Office Action dated May 19, 2016 (22 pages).
 U.S. Appl. No. 29/514,067, Non Final Office Action dated May 20, 2016 (20 pages).
 U.S. Appl. No. 29/514,073, Non Final Office Action dated May 20, 2016 (21 pages).
 U.S. Appl. No. 29/514,070, Non Final Office Action dated May 27, 2016 (26 pages).
 Chinese Application No. 201630055109.5, Office Action dated Jun. 1, 2016 (3 pages).
 Canadian Application No. 165,307, Response filed Jun. 15, 2016 to Office Action dated Feb. 15, 2016 (9 pages).
 Canadian Application No. 165,355, Response filed Jun. 15, 2016 to Office Action dated Feb. 15, 2016 (6 pages).
 Canadian Application No. 165,366, Response filed Jun. 15, 2016 to Office Action dated Feb. 15, 2016 (18 pages).
 Canadian Application No. 167,117, Office Action dated Jul. 14, 2016 (3 pages).
 U.S. Appl. No. 29/514,061, Response filed Aug. 17, 2016 to Non Final Office Action dated May 19, 2016 (6 pages).
 U.S. Appl. No. 29/514,063, Response filed Aug. 17, 2016 to Non Final Office Action dated May 19, 2016 (8 pages).
 U.S. Appl. No. 29/514,067, Response filed Aug. 22, 2016 to Non Final Office Action dated May 20, 2016 (6 pages).
 U.S. Appl. No. 29/514,073, Response filed Aug. 22, 2016 to Non Final Office Action dated May 20, 2016 (6 pages).
 U.S. Appl. No. 29/514,970, Response filed Aug. 29, 2016 to Non Final Office Action dated May 27, 2016 (6 pages).
 U.S. Appl. No. 29/538,019, Restriction Requirement dated Sep. 1, 2016 (7 pages).

(56)

References Cited

OTHER PUBLICATIONS

Chinese Application No. 201630055109.5, Response filed Sep. 18, 2016 to Office Action dated Jun. 1, 2016 (8 pages).
U.S. Appl. No. 29/514,061, Final Office Action dated Sep. 19, 2016 (9 pages).
U.S. Appl. No. 29/514,073, Notice of Allowance dated Sep. 19, 2016 (8 pages).
U.S. Appl. No. 29/514,067, Notice of Allowance dated Sep. 20, 2016 (9 pages).
U.S. Appl. No. 29/514,070, Notice of Allowance dated Sep. 21, 2016 (6 pages).
Canadian Application No. 165,355, Response filed for Sep. 22, 2016 to Office Action dated Jul. 28, 2016 (2 pages).
U.S. Appl. No. 29/514,070, Corrected Notice of Allowance dated Oct. 5, 2016 (2 pages).
U.S. Appl. No. 29/514,073, Corrected Notice of Allowance dated Oct. 5, 2016 (2 pages).
U.S. Appl. No. 29/538,019, Examiner Interview Summary dated Oct. 11, 2016 (7 pages).
U.S. Appl. No. 29/514,063, Response filed Oct. 24, 2016 to Non Final Office Action dated May 19, 2016 (20 pages).
Canadian Application No. 169,274, Office Action dated Oct. 25, 2016 (2 pages).
Canadian Application No. 169,275, Office Action dated Oct. 25, 2016 (2 pages).

U.S. Appl. No. 29/538,019, Response filed Nov. 1, 2016 to Restriction Requirement dated Sep. 1, 2016 (4 pages).
Canadian Application No. 167,117, Response filed Nov. 3, 2016 to Office Action dated Jul. 14, 2016 (10 pages).
U.S. Appl. No. 29/514,061, Response filed Nov. 21, 2016 to Final Office Action dated Sep. 19, 2016 (16 pages).
U.S. Appl. No. 29/538,019, Notice of Allowance dated Nov. 23, 2016 (9 pages).
U.S. Appl. No. 29/539,396, Notice of Allowance dated Feb. 27, 2017 (9 pages).
U.S. Appl. No. 29/539,401, Notice of Allowance dated Feb. 27, 2017 (8 pages).
U.S. Appl. No. 29/539,391, Notice of Allowance dated Mar. 1, 2017 (8 pages).
U.S. Appl. No. 29/539,405, Notice of Allowance dated Mar. 1, 2017 (8 pages).
U.S. Appl. No. 29/539,409, Notice of Allowance dated Mar. 2, 2017 (8 pages).
U.S. Appl. No. 29/539,392, Notice of Allowance dated Mar. 3, 2017 (8 pages).
U.S. Appl. No. 29/539,415, Notice of Allowance dated Mar. 9, 2017 (8 pages).
U.S. Appl. No. 29/539,414, Corrected Notice of Allowance dated Mar. 31, 2017 (2 pages).
Broan QTX110SI Media Gallery, Broan QTX110SL Combination Fan, Light, Night-Light, 110 CFM, 0.9 Sones, Humidity Sensing, ventingdirect.com (1 page).

* cited by examiner

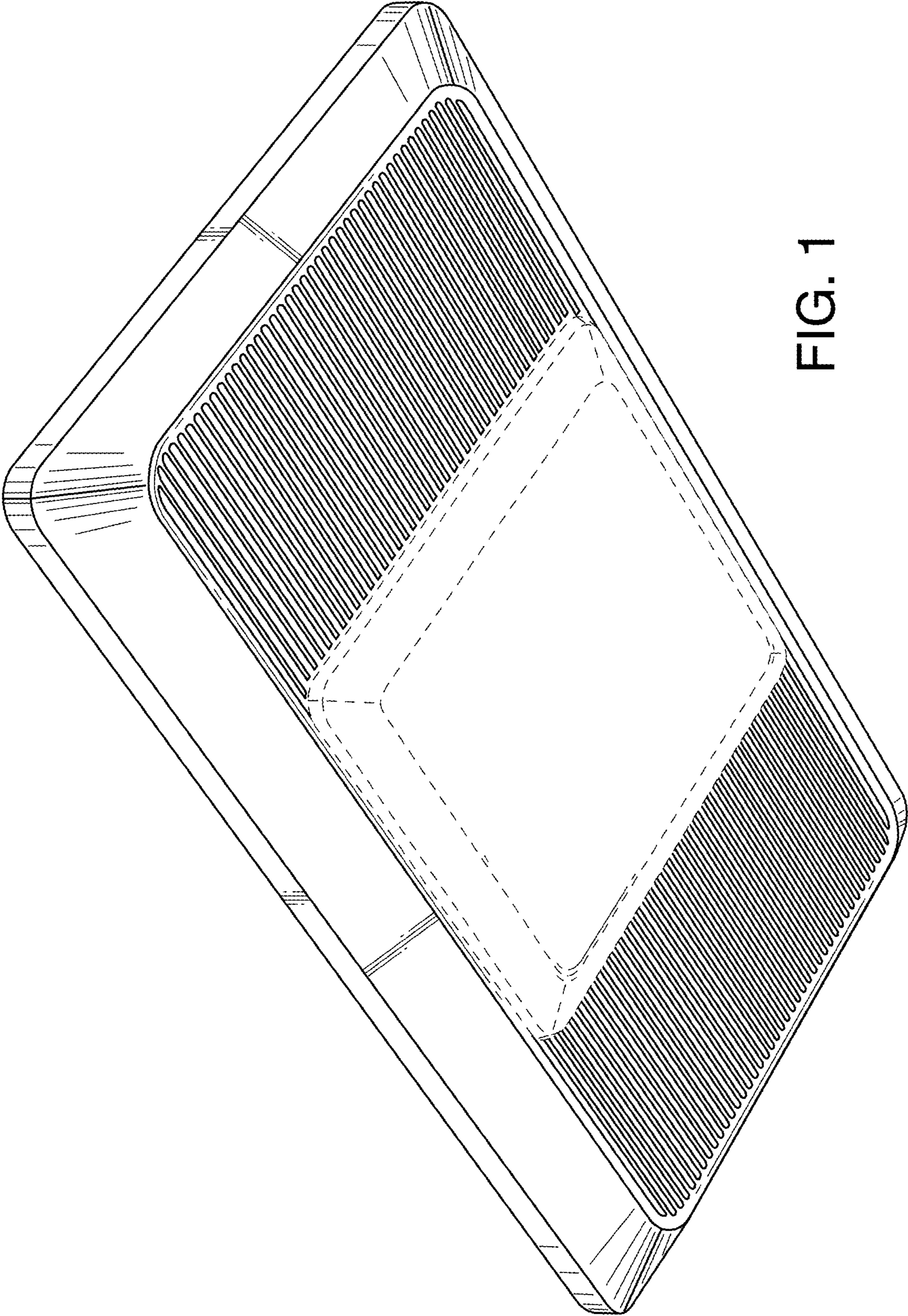


FIG. 1

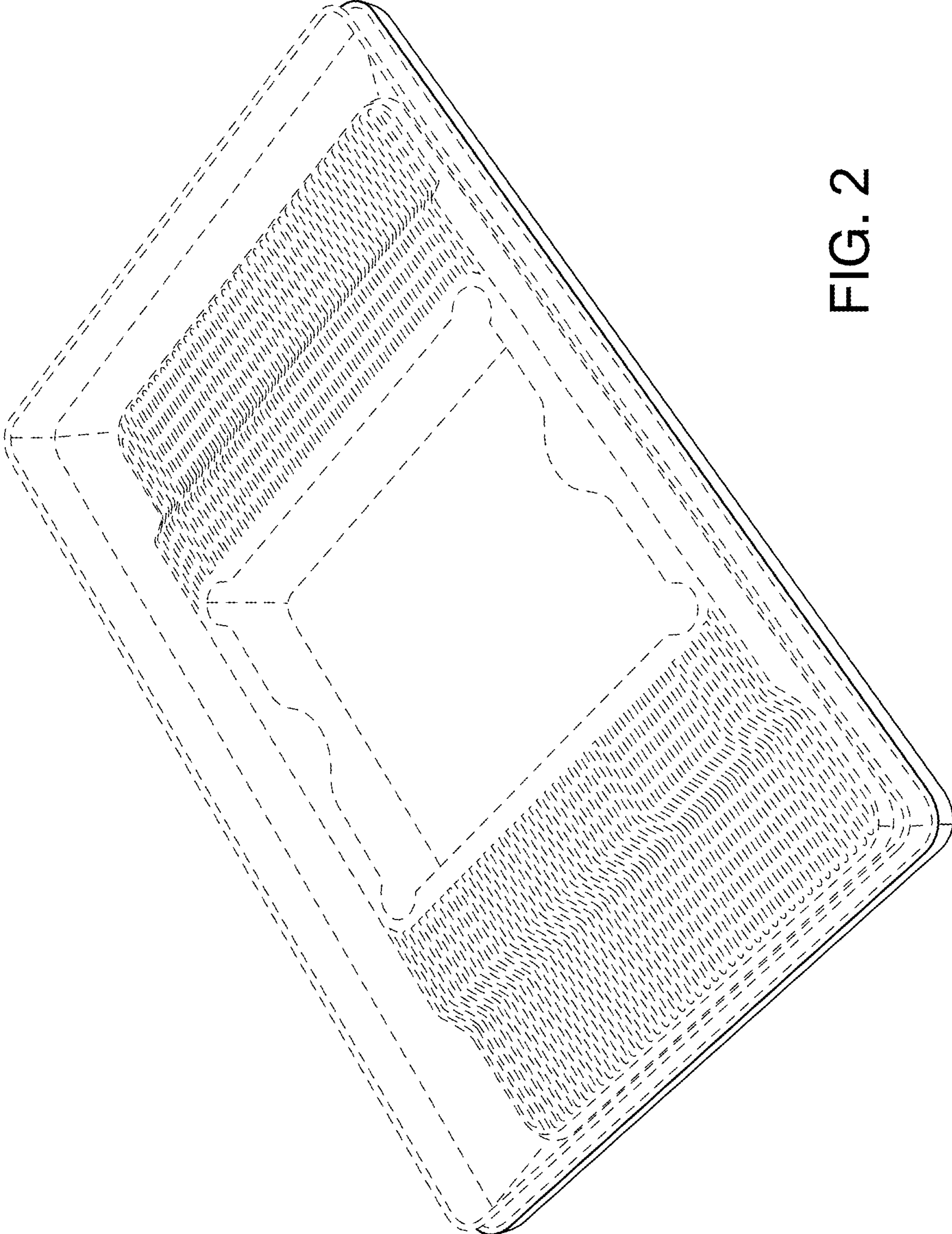


FIG. 2

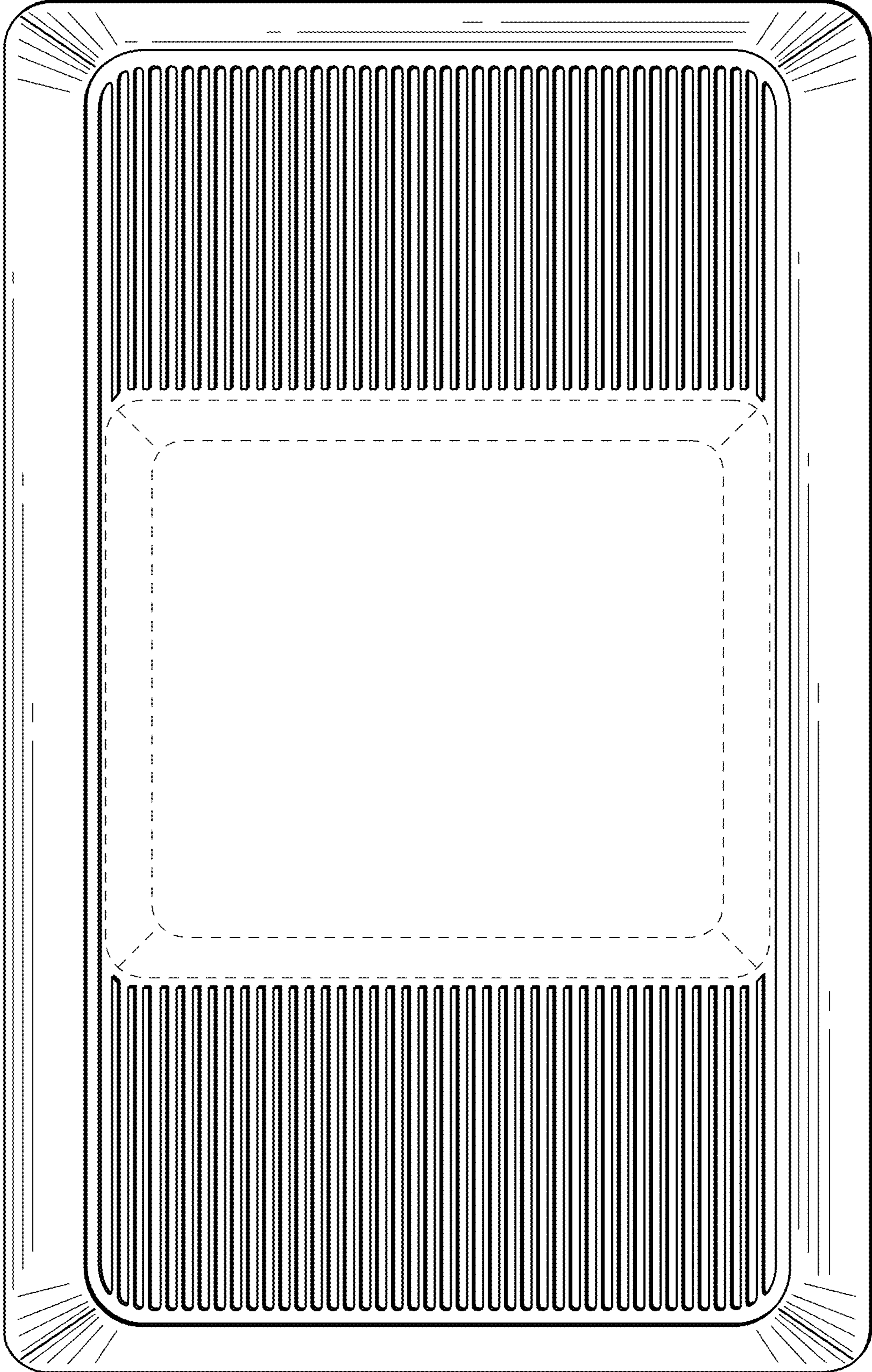


FIG. 3

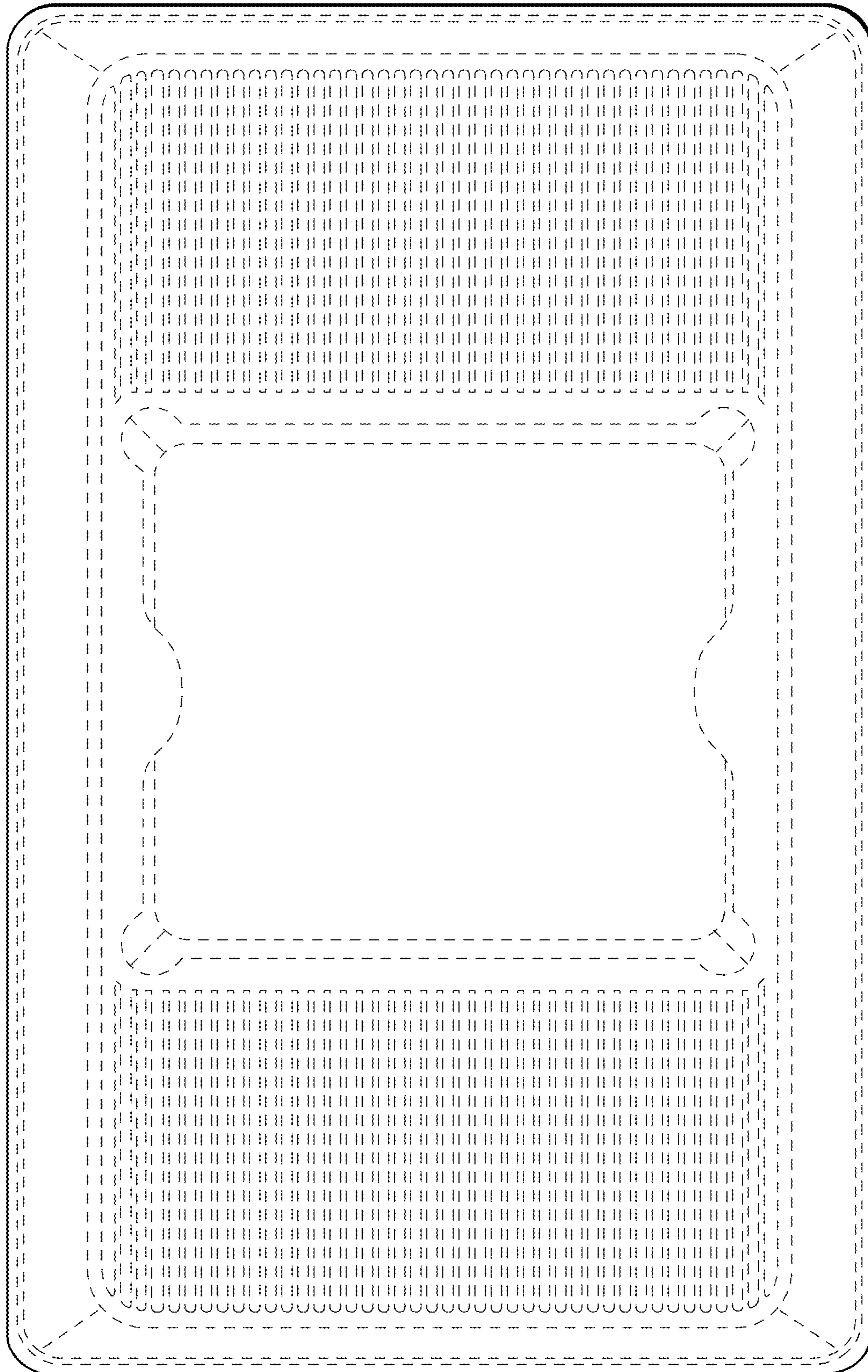


FIG. 4

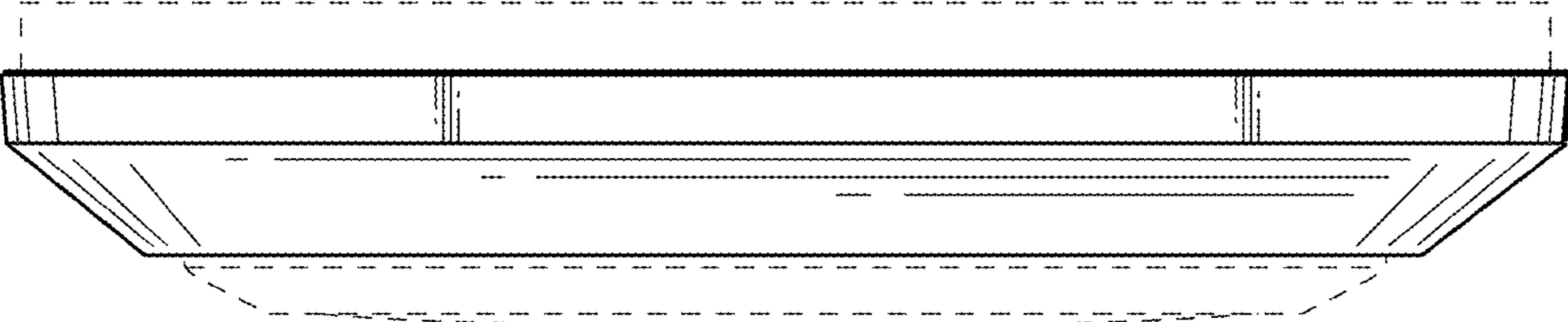


FIG. 6

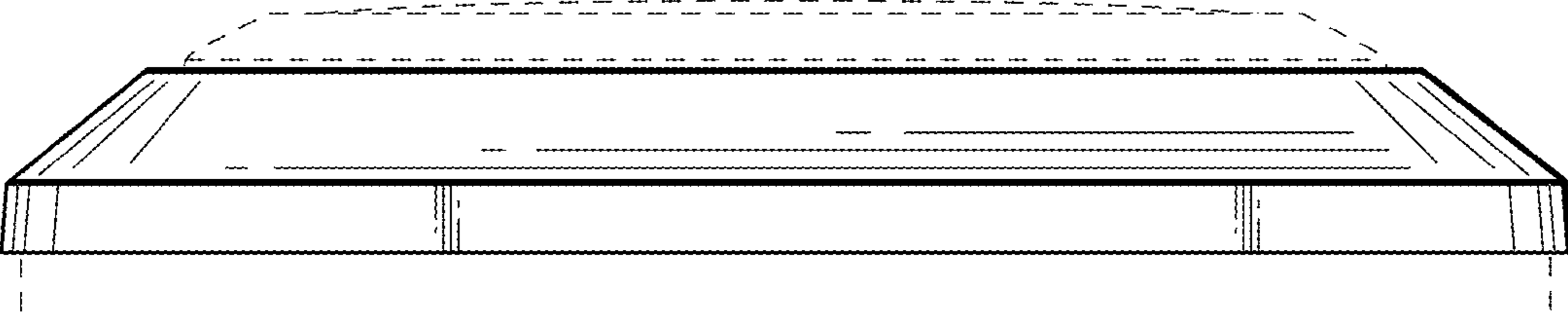


FIG. 5

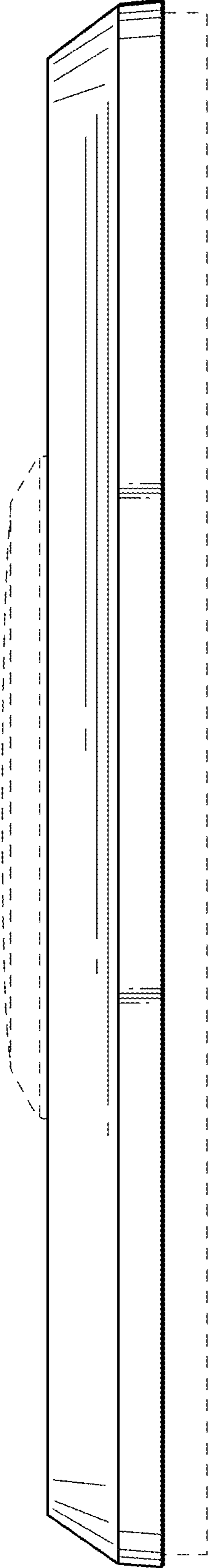


FIG. 7

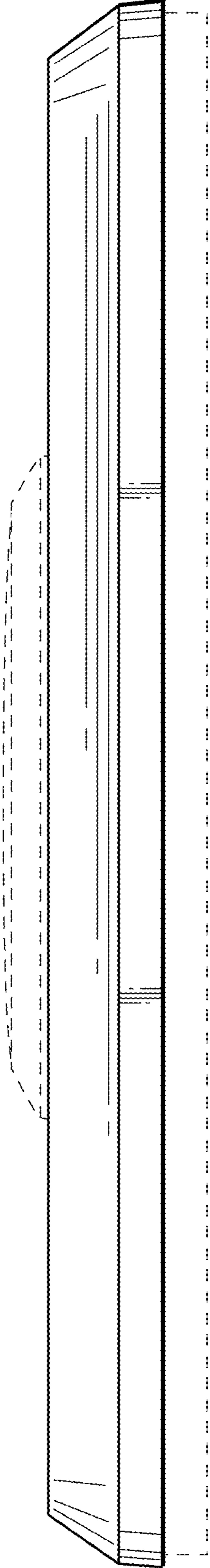


FIG. 8

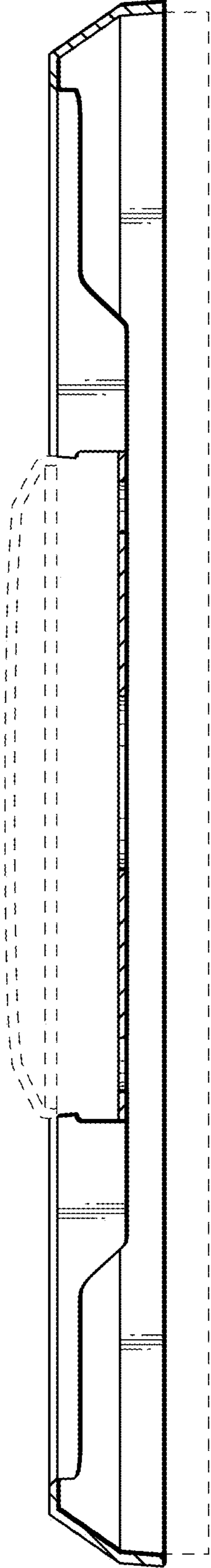


FIG. 9