



US00D899580S

(12) **United States Design Patent**
Lemieux

(10) **Patent No.:** **US D899,580 S**

(45) **Date of Patent:** **** Oct. 20, 2020**

(54) **AIR BLOWER**

(71) Applicant: **9349-2924 Quebec Inc.**, Longueuil, QC (CA)

(72) Inventor: **Marc-Andre Lemieux**, Longueuil (CA)

(73) Assignee: **9349-2924 Québec Inc.**, Longueuil (CA)

(**) Term: **15 Years**

(21) Appl. No.: **29/655,729**

(22) Filed: **Jul. 6, 2018**

(30) **Foreign Application Priority Data**

Jan. 8, 2018 (CA) 179013

(51) **LOC (12) Cl.** **23-04**

(52) **U.S. Cl.**
USPC **D23/383**

(58) **Field of Classification Search**

USPC D23/370-386, 393, 411-414, 351-354,
D23/332-337, 366-369, 387-392, 328;
D6/604, 606

CPC F04D 5/00; F04D 27/00; F04D 29/329
See application file for complete search history.

(56) **References Cited**

U.S. PATENT DOCUMENTS

D595,811 S * 7/2009 Stadler D23/249
D656,596 S * 3/2012 Kim D23/351
D701,298 S * 3/2014 Daisaku D23/370
9,339,539 B2 * 5/2016 Xing A61K 41/0047

D759,227 S * 6/2016 Lofy D23/370
D801,499 S * 10/2017 Sidell F24F 1/022
D23/354
2008/0101928 A1 * 5/2008 Chen F04D 25/084
415/213.1

OTHER PUBLICATIONS

OOLER Sleep System—ME and WE Zones—Cooling and Heating Mattress Pad . . . , date first reviewed Oct. 21, 2019, site visited Jan. 4, 2020, Copyright © 1996-2020, <https://www.amazon.com/OOLER-Sleep-System-Temperature-Integration/dp/B07RX8LT9G/ref=cm_cr_arp_d_product_top?ie=UTF8>.*

* cited by examiner

Primary Examiner — Cathron C Brooks

Assistant Examiner — Sharon S Oum

(74) *Attorney, Agent, or Firm* — Damien Calvet; Gowling WLG (Canada) LLP

(57) **CLAIM**

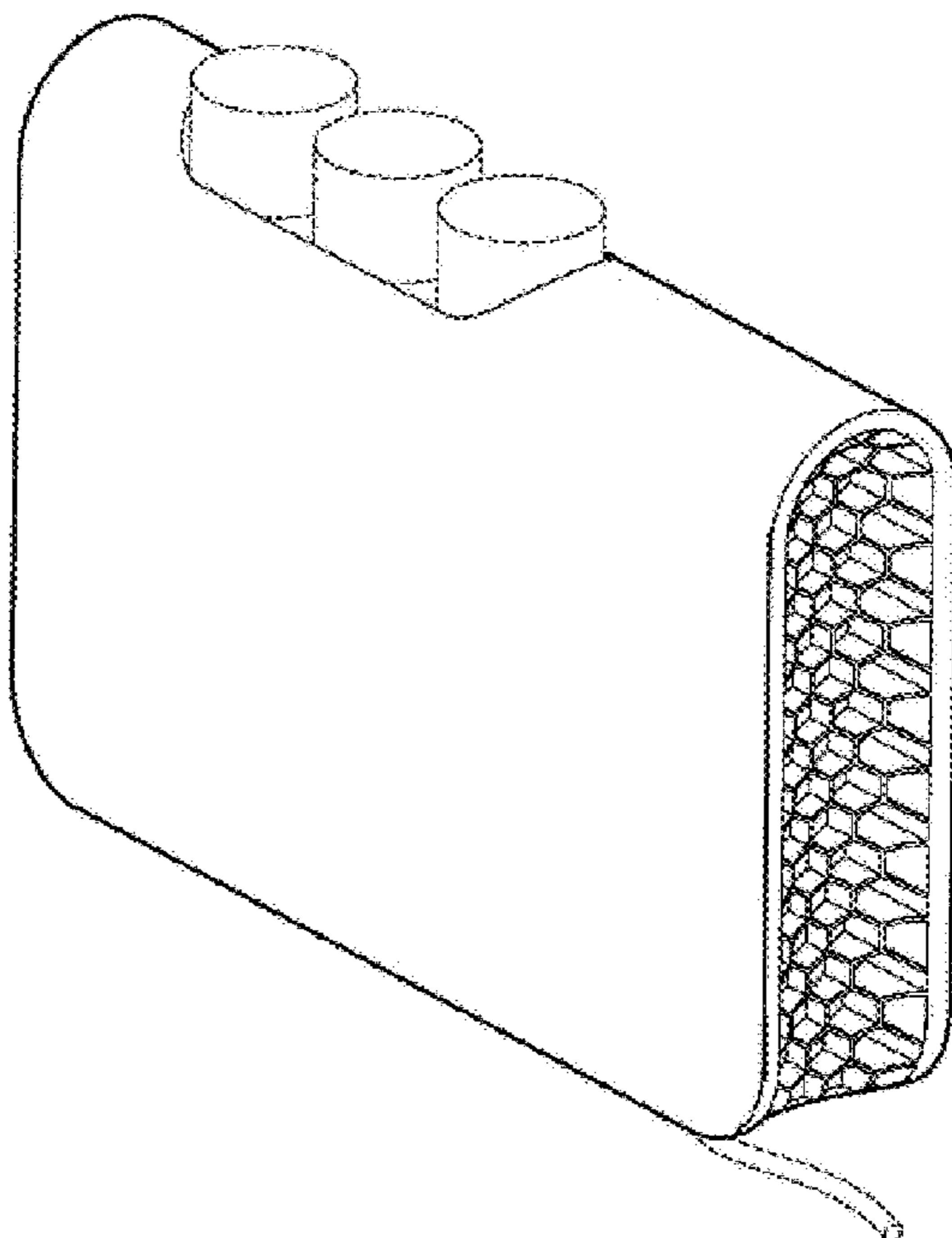
I claim the ornamental design for an air blower, as shown and described.

DESCRIPTION

FIG. 1 is a front isometric view of the air blower;
FIG. 2 is a first bottom isometric view thereof;
FIG. 3 is a second bottom isometric view thereof;
FIG. 4 is a right side elevational view thereof;
FIG. 5 is a left side elevational view thereof;
FIG. 6 is a front elevational view thereof;
FIG. 7 is a rear elevational view thereof;
FIG. 8 is a bottom plan view thereof; and,
FIG. 9 is a top plan view thereof.

The broken lines illustrate portions of the air blower that form no part of the claimed design.

1 Claim, 7 Drawing Sheets



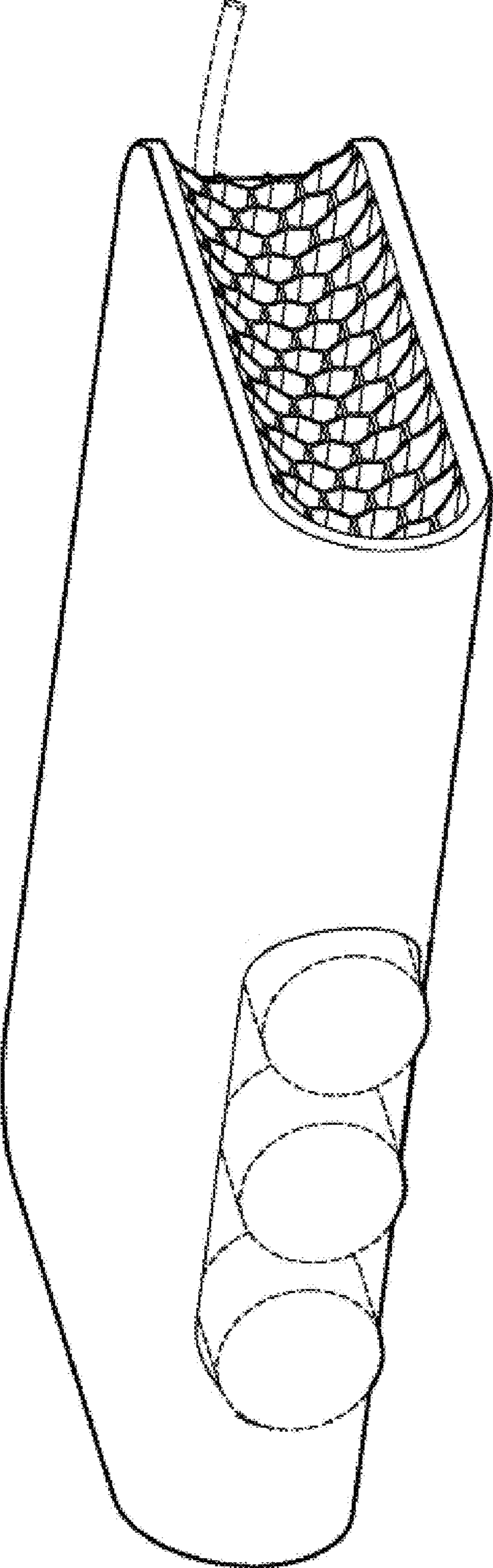


FIG. 1

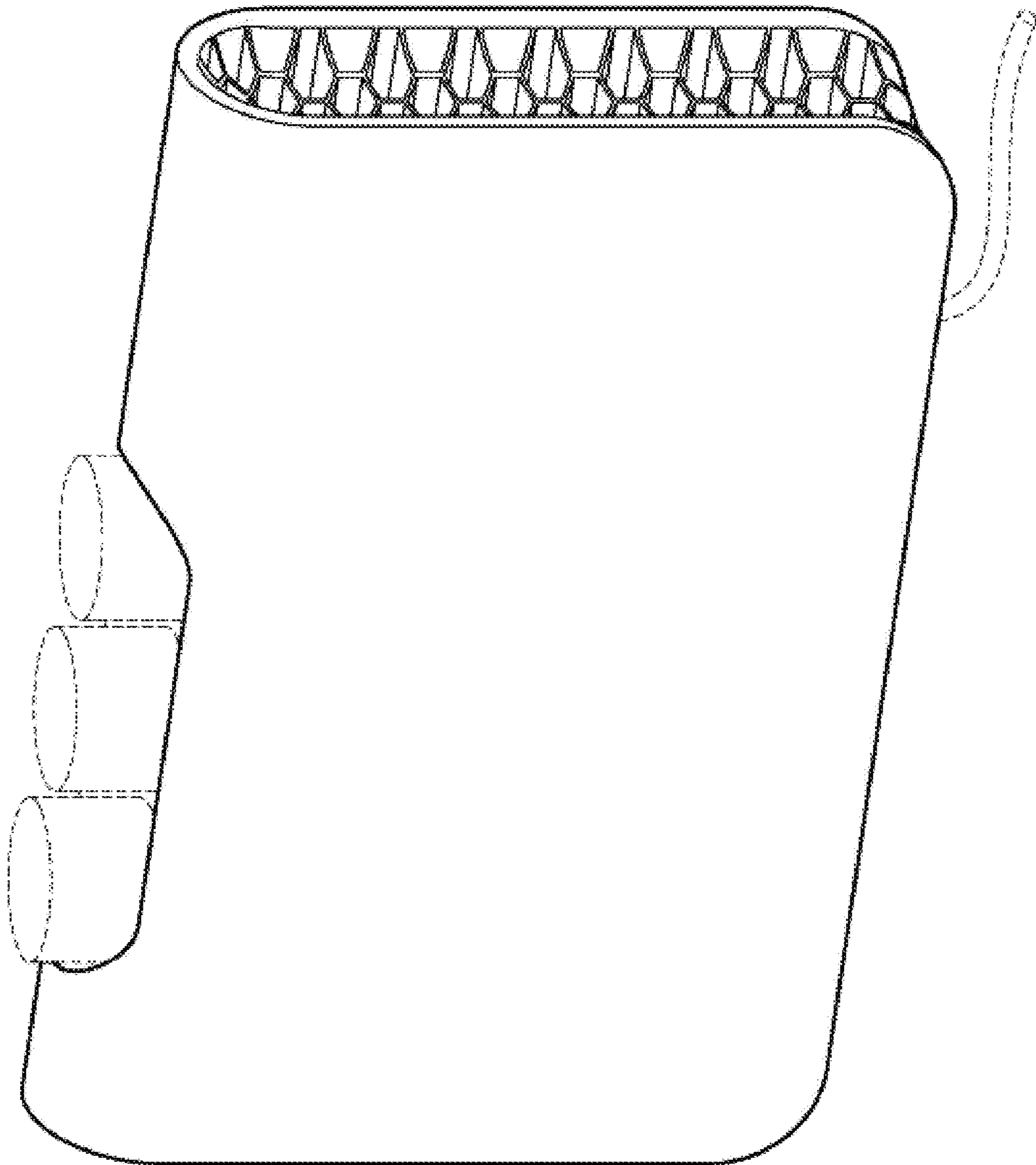


FIG. 2

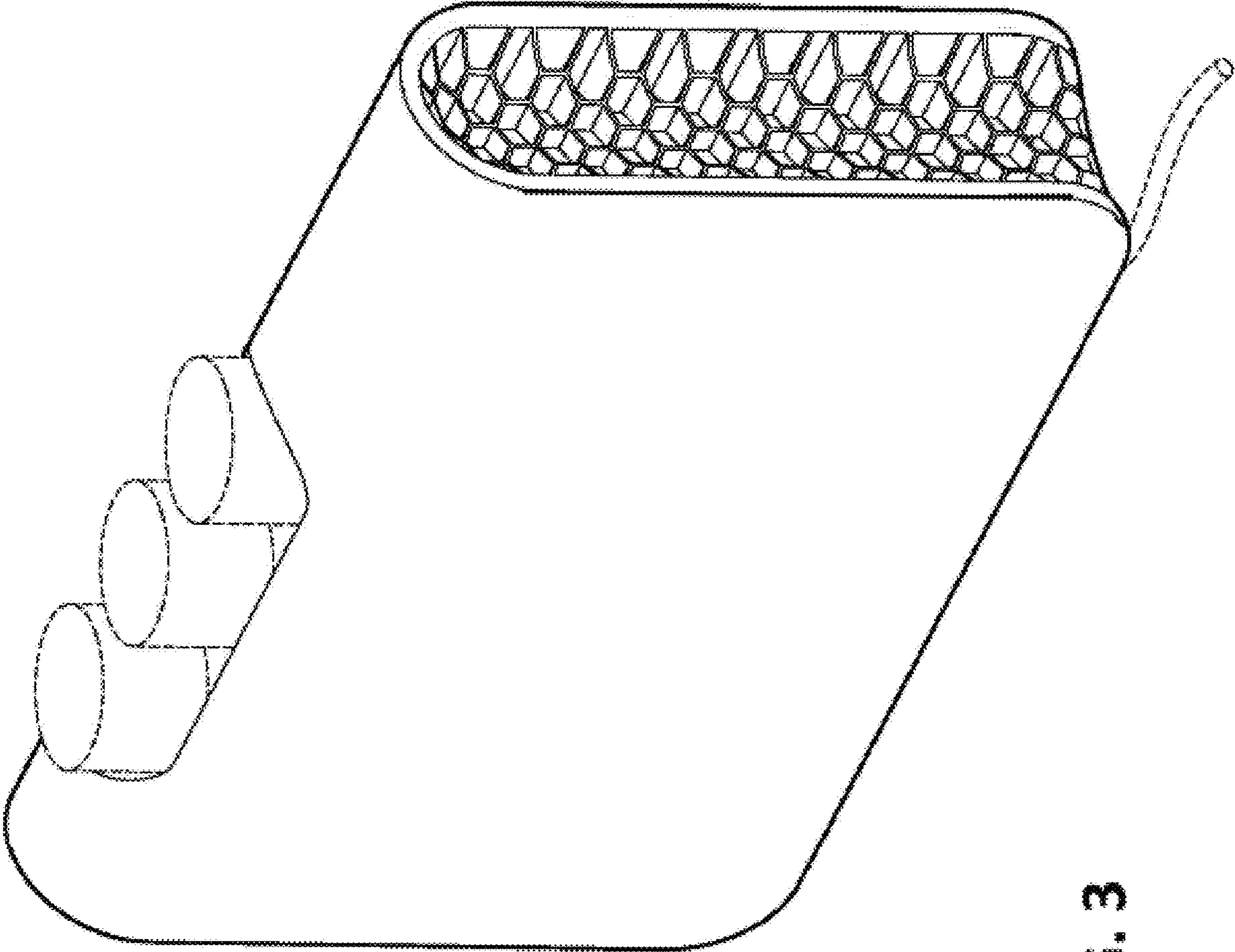


FIG. 3

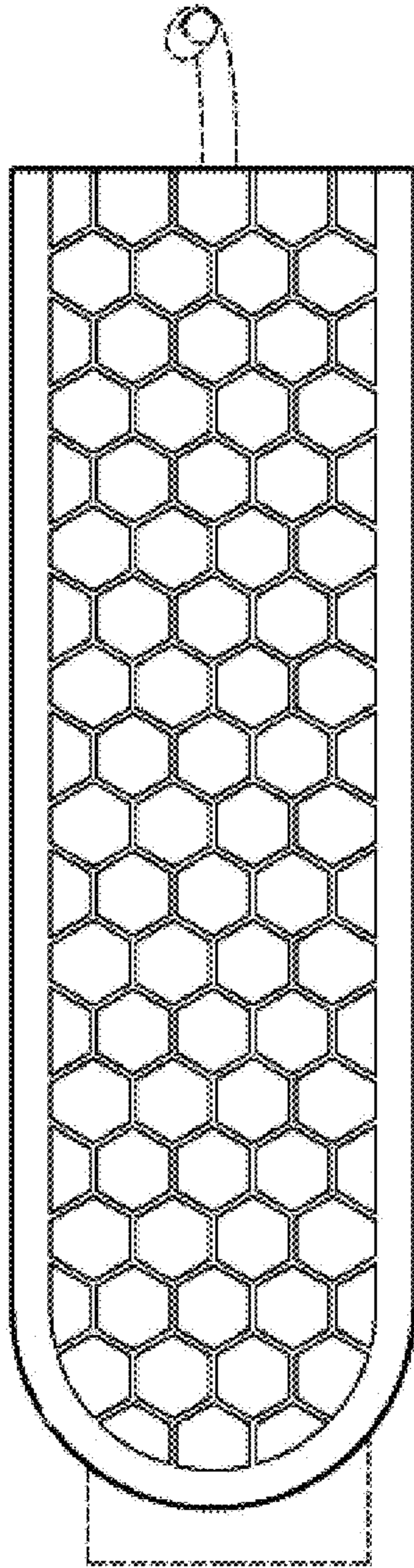


FIG. 4

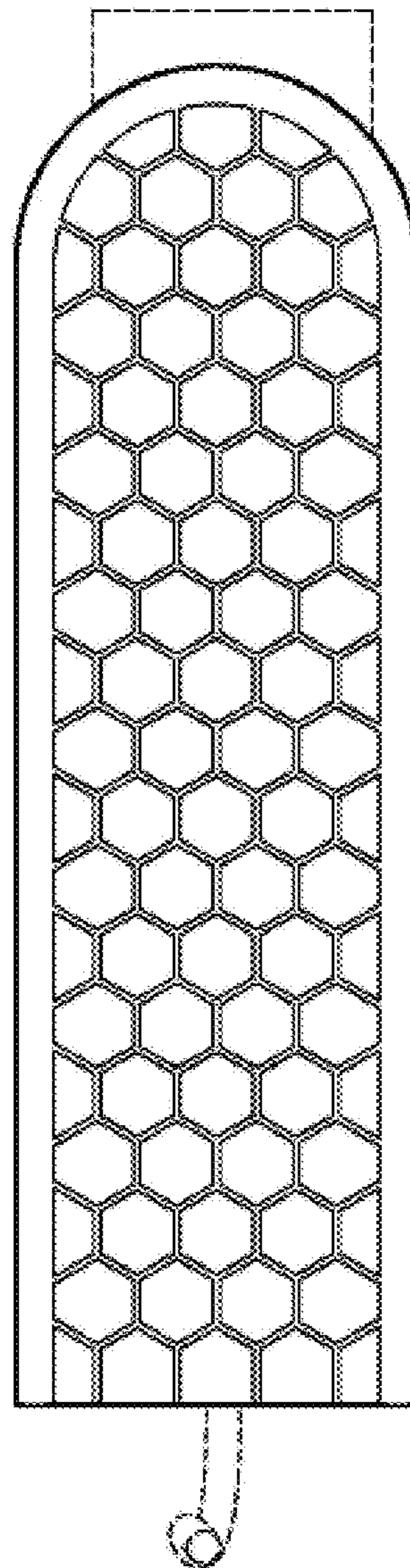


FIG. 5

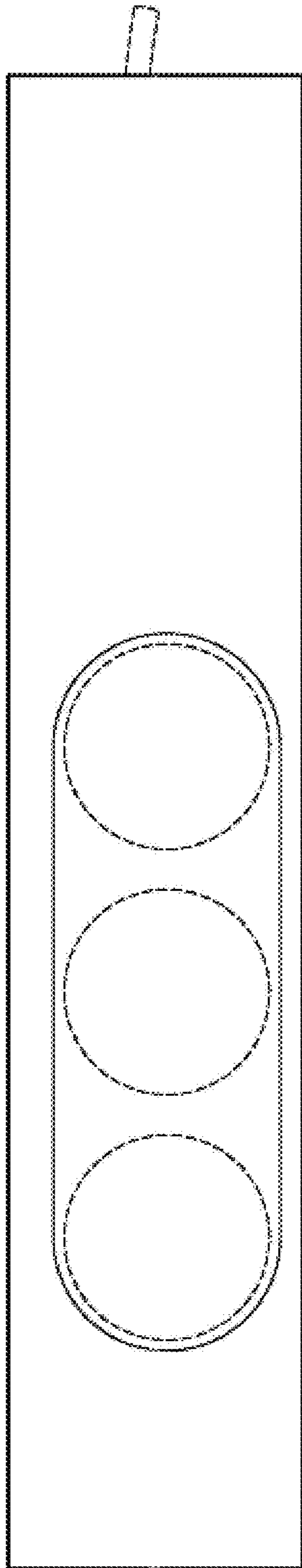


FIG. 6



FIG. 7

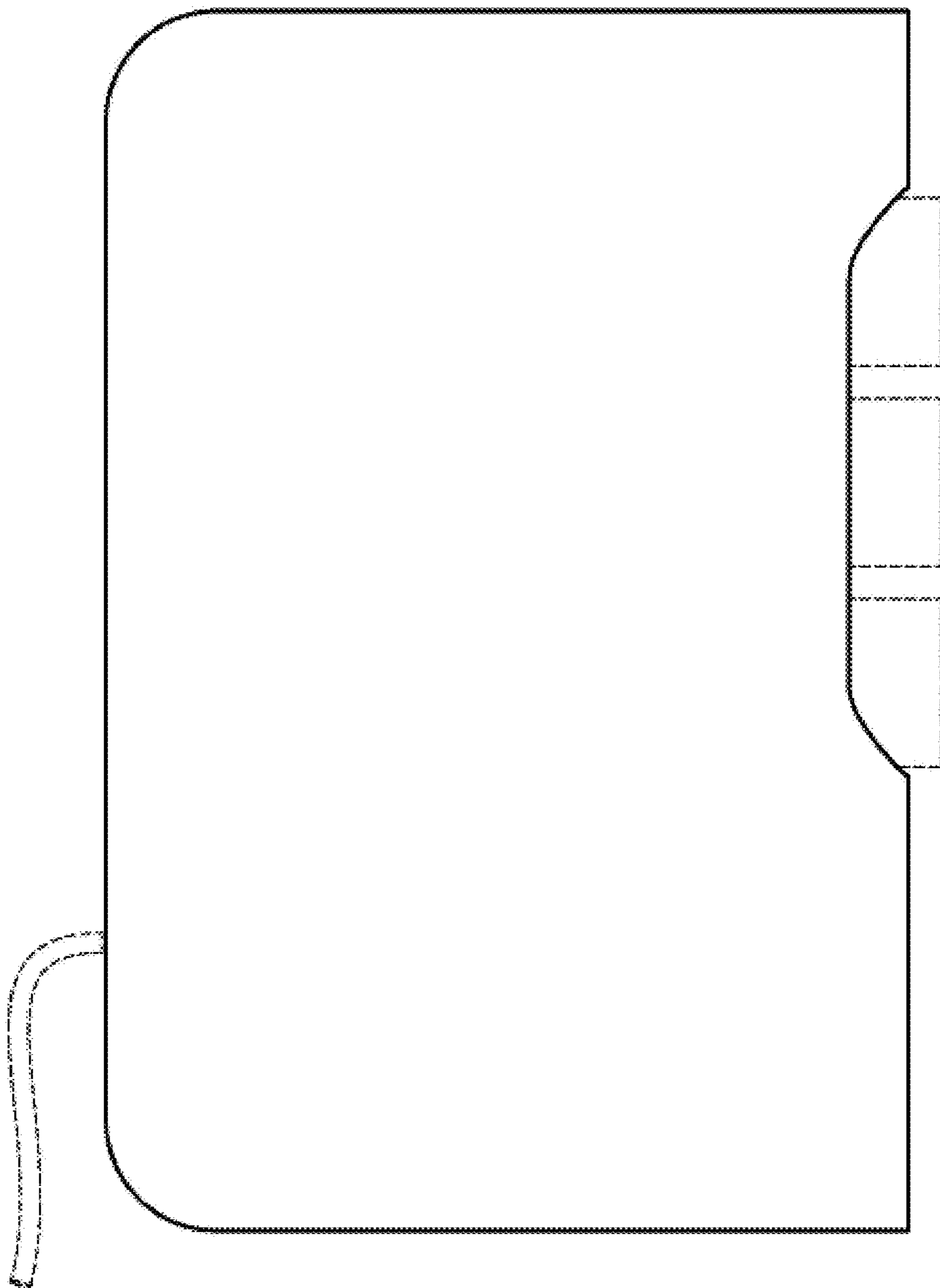


FIG. 8

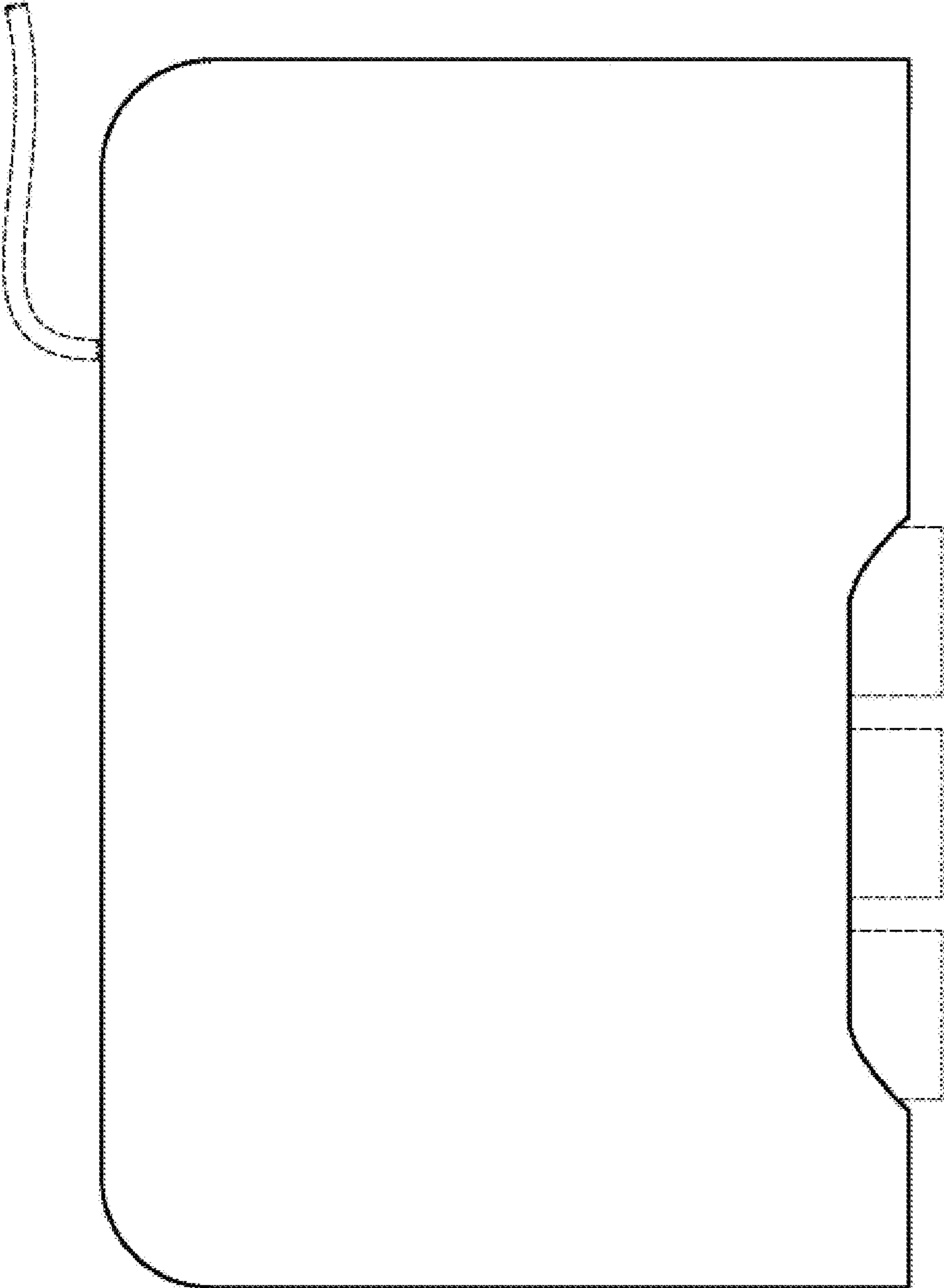


FIG. 9