



(12) **United States Design Patent**  
**Sifeng**

(10) **Patent No.:** **US D899,579 S**  
(45) **Date of Patent:** **\*\* Oct. 20, 2020**

(54) **COMBINED CEILING FAN AND LIGHT**

(71) Applicant: **Xie Sifeng**, Shuangfeng (CN)

(72) Inventor: **Xie Sifeng**, Shuangfeng (CN)

(\*\*) Term: **15 Years**

(21) Appl. No.: **29/716,626**

(22) Filed: **Dec. 11, 2019**

(51) **LOC (12) Cl.** ..... **23-04**

(52) **U.S. Cl.**  
USPC ..... **D23/377; D26/59**

(58) **Field of Classification Search**  
USPC ... D26/59, 24, 118, 119, 121–124, 128–137,  
D26/87; D23/370, 377–385, 411–414  
CPC ..... F04D 25/088; F04D 29/38; F21V 21/03  
See application file for complete search history.

(56) **References Cited**

**U.S. PATENT DOCUMENTS**

D621,024 S	8/2010	Orozco	
D625,403 S *	10/2010	Liu	D23/377
D631,955 S *	2/2011	Villella	D23/411
D632,381 S *	2/2011	Davenport	D23/377
D652,133 S *	1/2012	Hiner	D23/377
D663,829 S *	7/2012	Allen	D23/377
8,790,085 B2 *	7/2014	Villella	F04D 25/08 416/140
D744,629 S *	12/2015	Wang	D23/377
9,255,584 B2 *	2/2016	Villella	F04D 25/08
D773,634 S	12/2016	Wang	
D804,641 S *	12/2017	McRoberts	D23/377
D810,915 S *	2/2018	Guthrie	D23/377
D834,734 S	11/2018	Guthrie	
D850,603 S *	6/2019	Wang	D23/377
D853,611 S	7/2019	McRoberts	
D860,430 S *	9/2019	Orozco	D23/377
D867,573 S	11/2019	Guthrie	
D872,251 S *	1/2020	Hagggar	D23/377
D873,988 S *	1/2020	Biancuzzo	D23/377
D882,748 S *	4/2020	Hagggar	D23/377
2006/0140769 A1 *	6/2006	Frampton	F04D 25/088 416/210 R

**OTHER PUBLICATIONS**

Williston Forge Benally Ceiling Fan, Published by Wayfair, Reviewed on Apr. 29, 2018. <[https://www.wayfair.com/Williston-Forge--46-Benally-4-Blade-Ceiling-Fan-with-Remote-Light-Kit-Included-XMGS7022-L230-K-WLFR6911.html?refid=FR49-WLFR6911\\_5830345&PillD%5B%5D=25830345](https://www.wayfair.com/Williston-Forge--46-Benally-4-Blade-Ceiling-Fan-with-Remote-Light-Kit-Included-XMGS7022-L230-K-WLFR6911.html?refid=FR49-WLFR6911_5830345&PillD%5B%5D=25830345)> (Year: 2018).\*

Hunter Indoor Ceiling Fan Fanaway, Published by Amazon, Reviewed on Jul. 5, 2014, <[https://www.amazon.com/Hunter-59085-Fanaway-Retractable-Fan/product-reviews/B00JMRN1ZI/ref=cm\\_cr\\_getr\\_d\\_paging\\_btm\\_next\\_6?ie=UTF8&reviewerType=all\\_reviews&sortBy=recent&pageNumber=6](https://www.amazon.com/Hunter-59085-Fanaway-Retractable-Fan/product-reviews/B00JMRN1ZI/ref=cm_cr_getr_d_paging_btm_next_6?ie=UTF8&reviewerType=all_reviews&sortBy=recent&pageNumber=6)> (Year: 2014).\*

\* cited by examiner

*Primary Examiner* — Janice Hallmark

(74) *Attorney, Agent, or Firm* — KA Filing LLC; Wayne Harper; Cynthia Flanigan

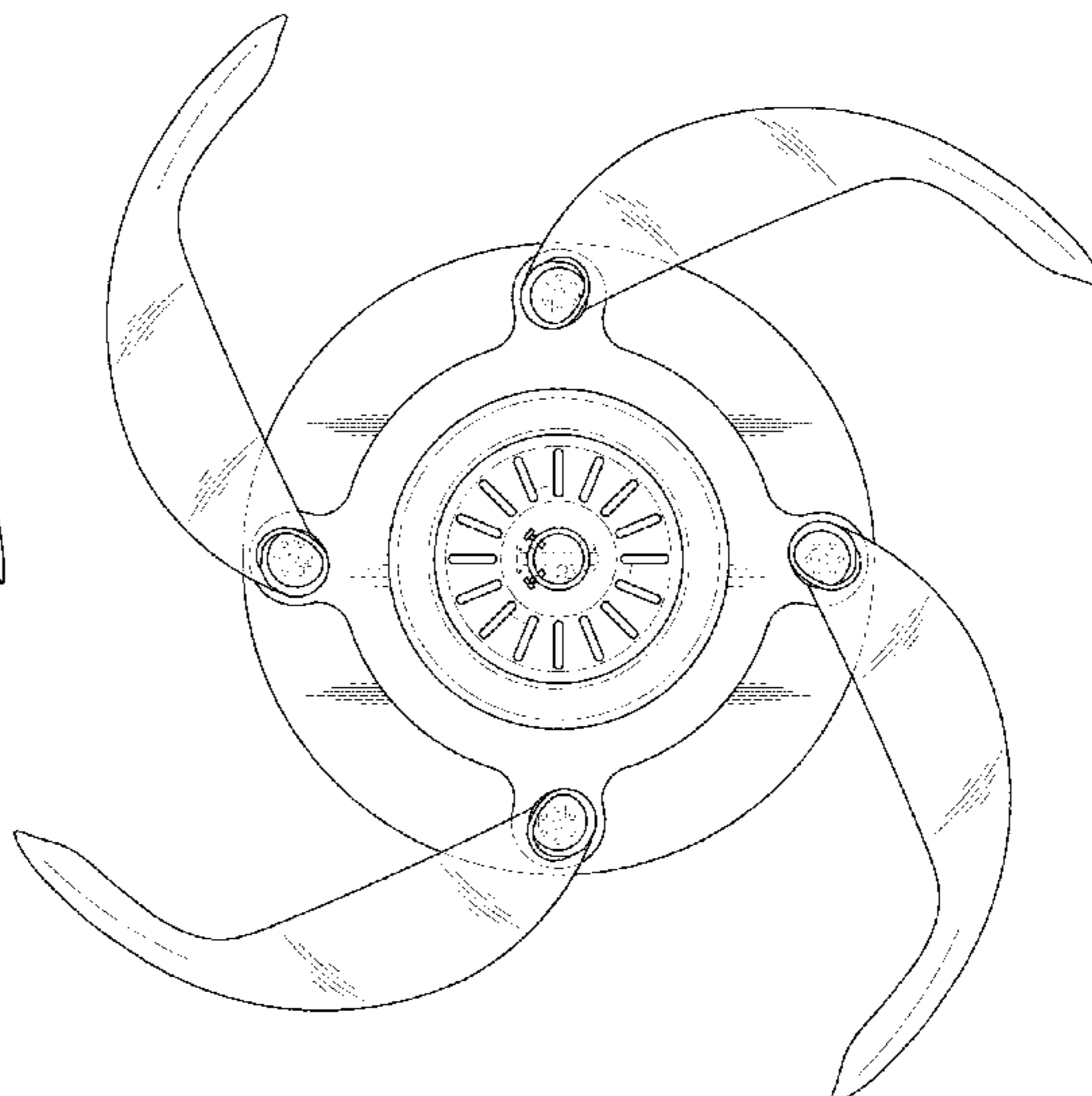
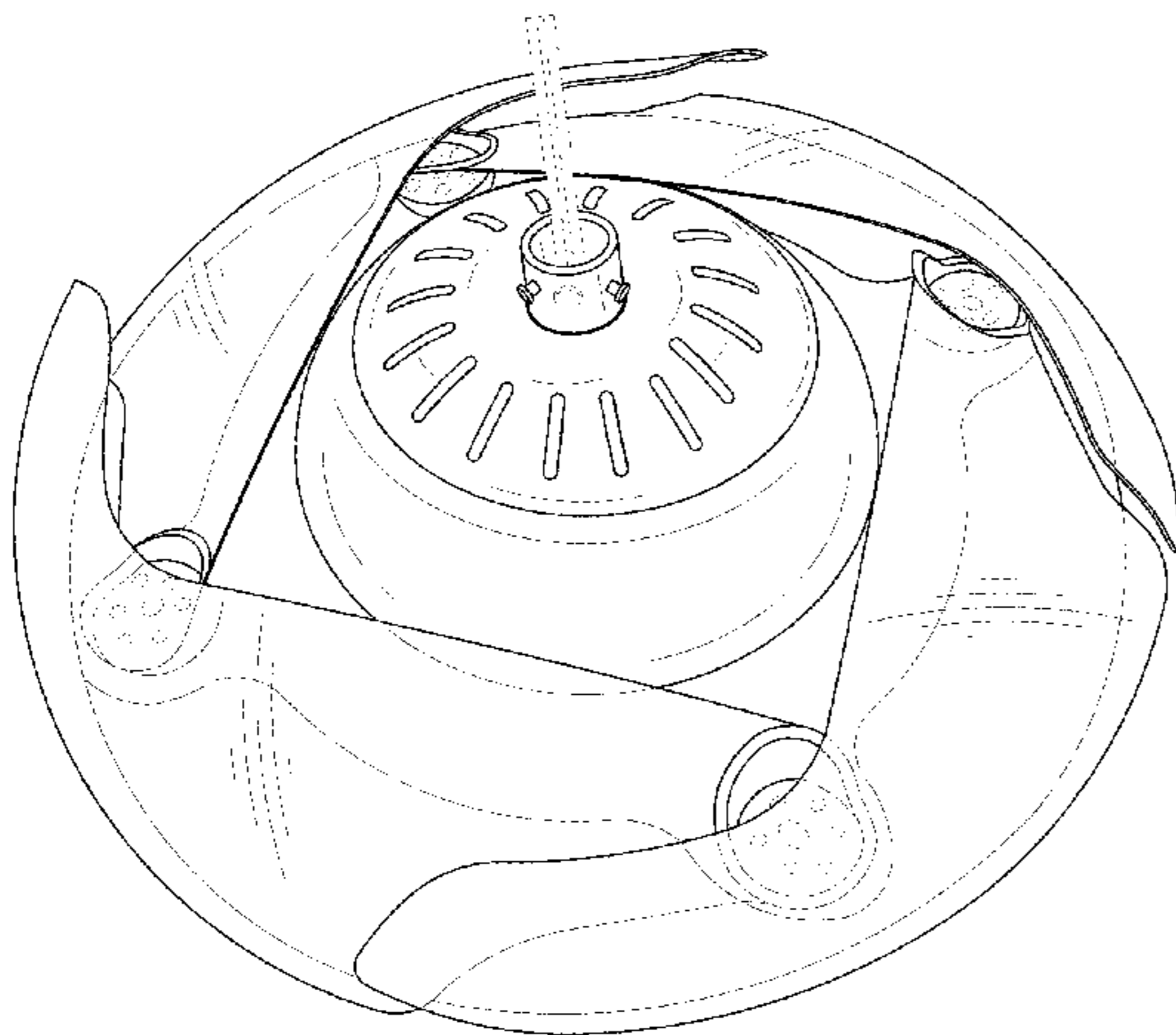
(57) **CLAIM**

I claim the ornamental design for a combined ceiling fan and light, as shown and described.

**DESCRIPTION**

FIG. 1 is a Perspective view of a combined ceiling fan and light showing my new design;  
FIG. 2 is a Right-side view thereof;  
FIG. 3 is a Left-side view thereof;  
FIG. 4 is a Front view thereof;  
FIG. 5 is a Back view thereof;  
FIG. 6 is a Top view thereof; and  
FIG. 7 is a Bottom view thereof; and,  
FIG. 8 is a top view showing the combined ceiling fan and light of FIG. 1 in an alternate position.  
The broken lines in the drawings depict parts of the combined ceiling fan and light that form no part of the claimed design.

**1 Claim, 8 Drawing Sheets**



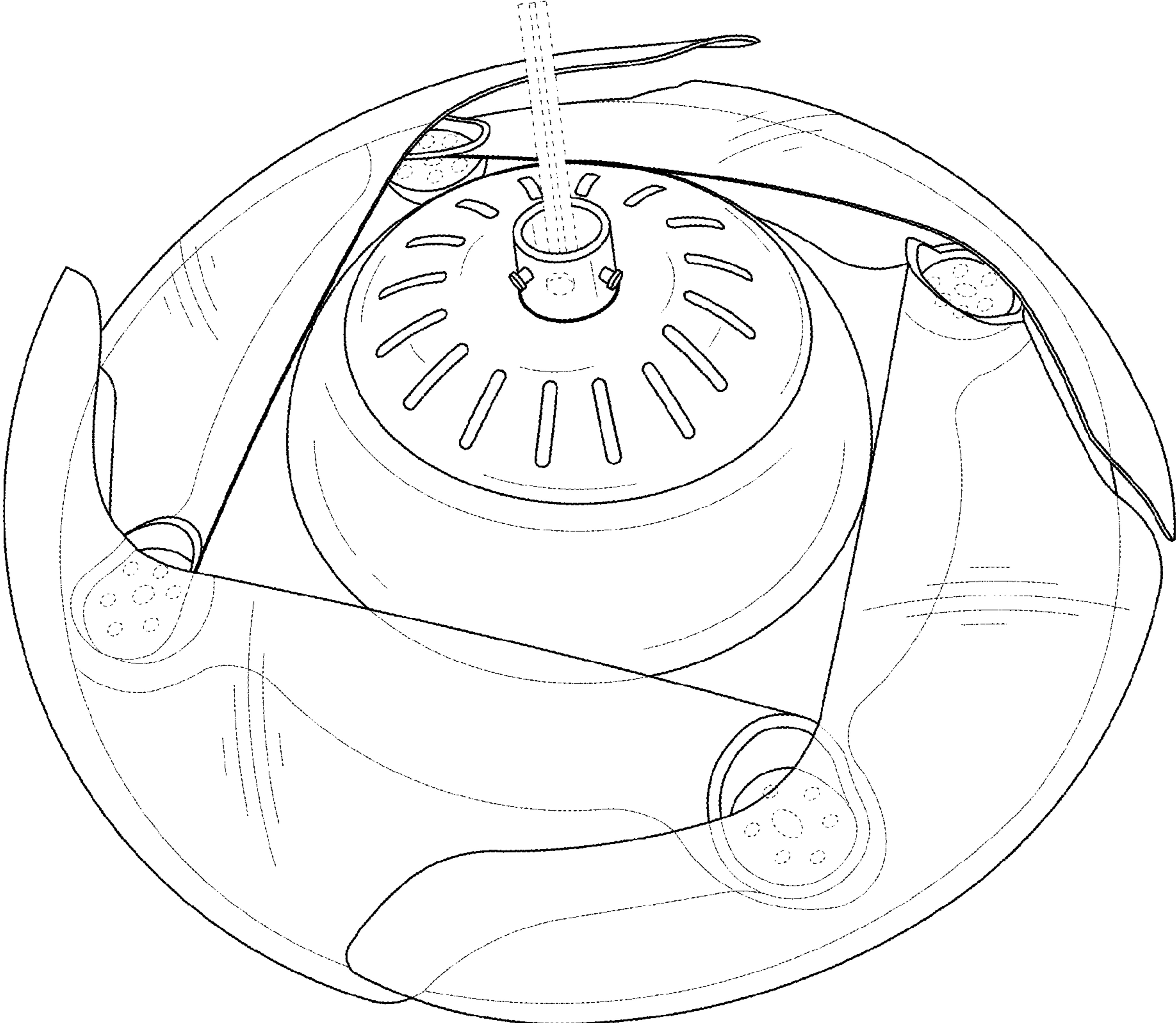


FIG. 1

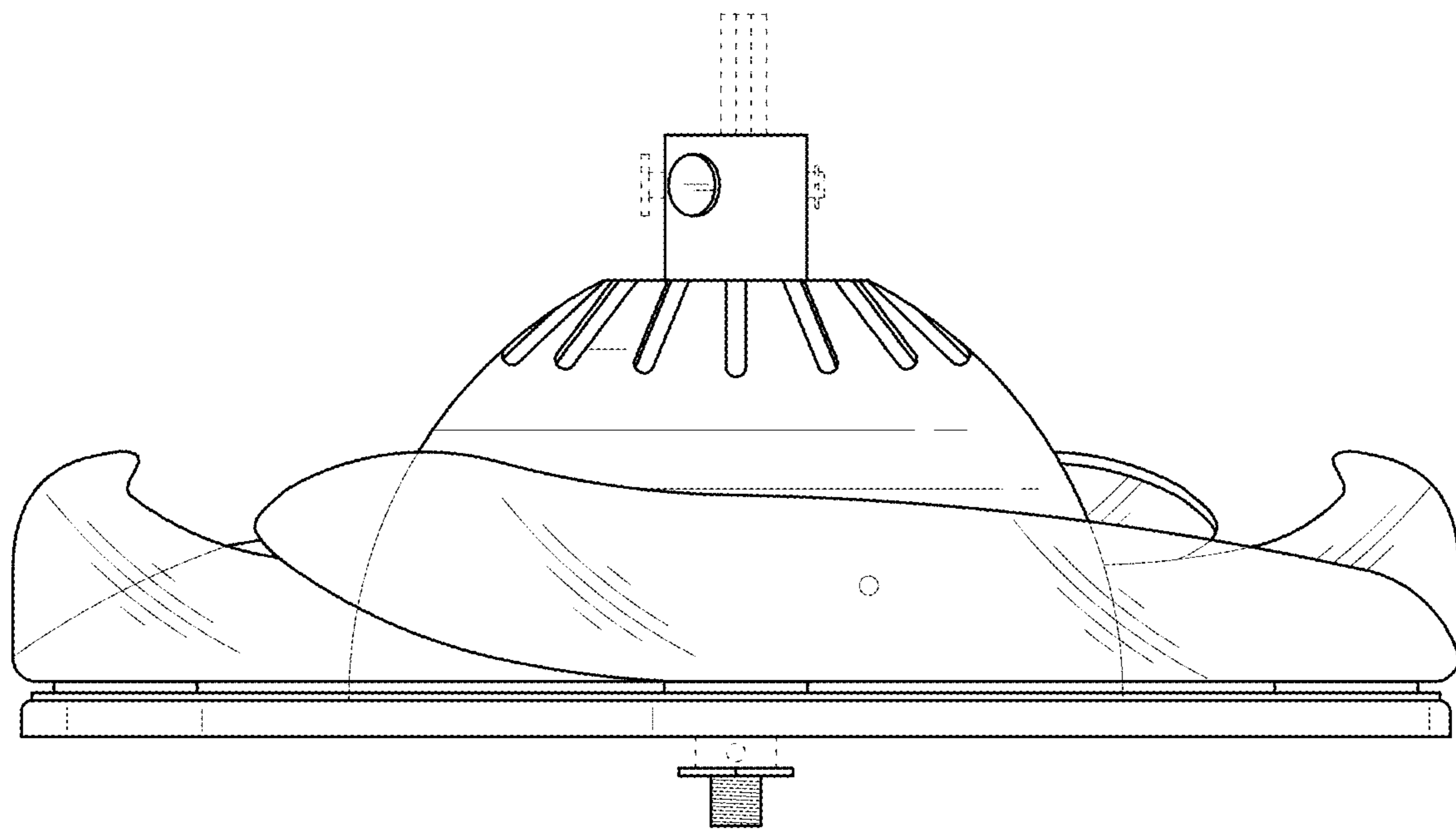


FIG. 2

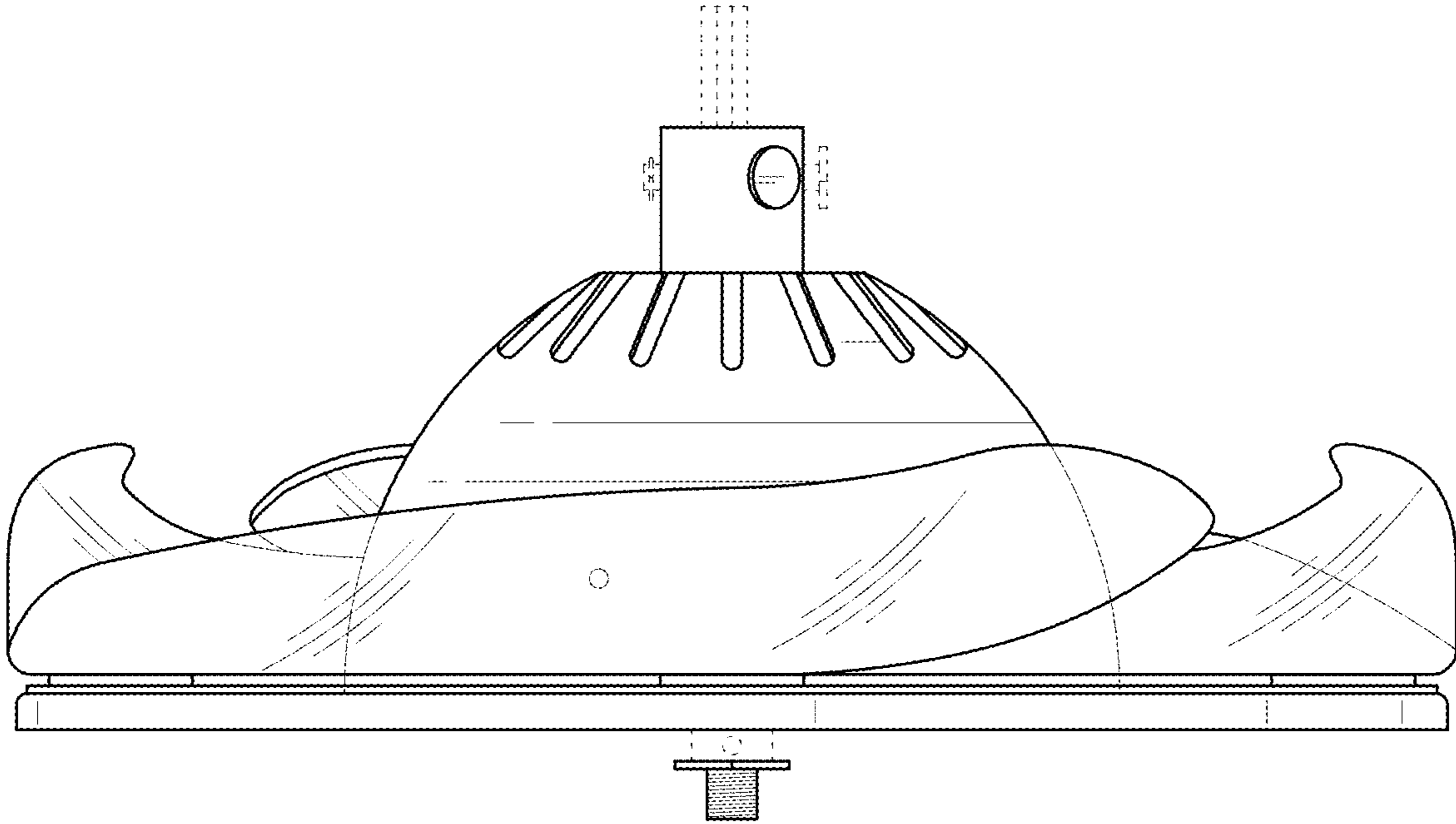


FIG. 3

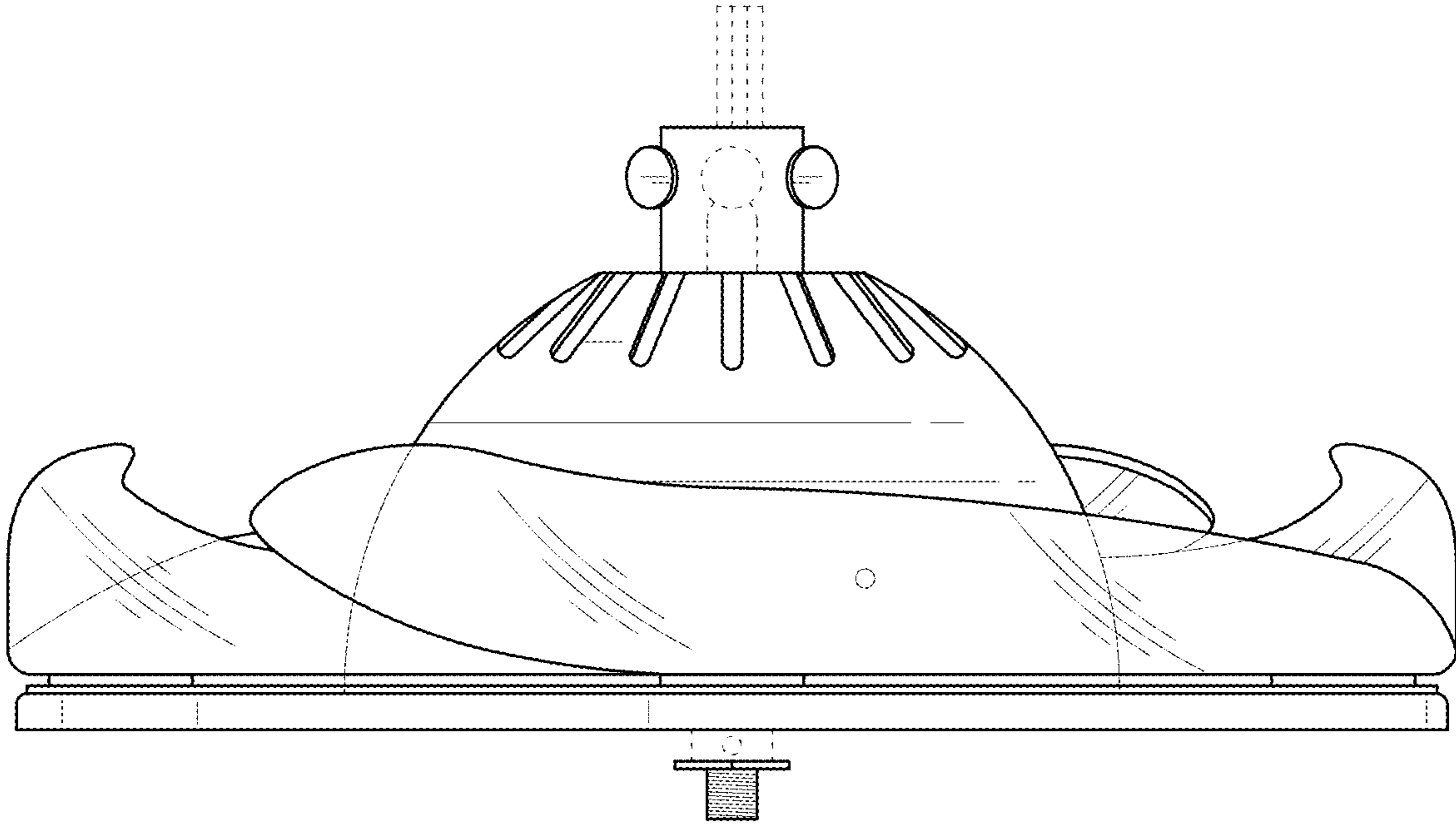


FIG. 4

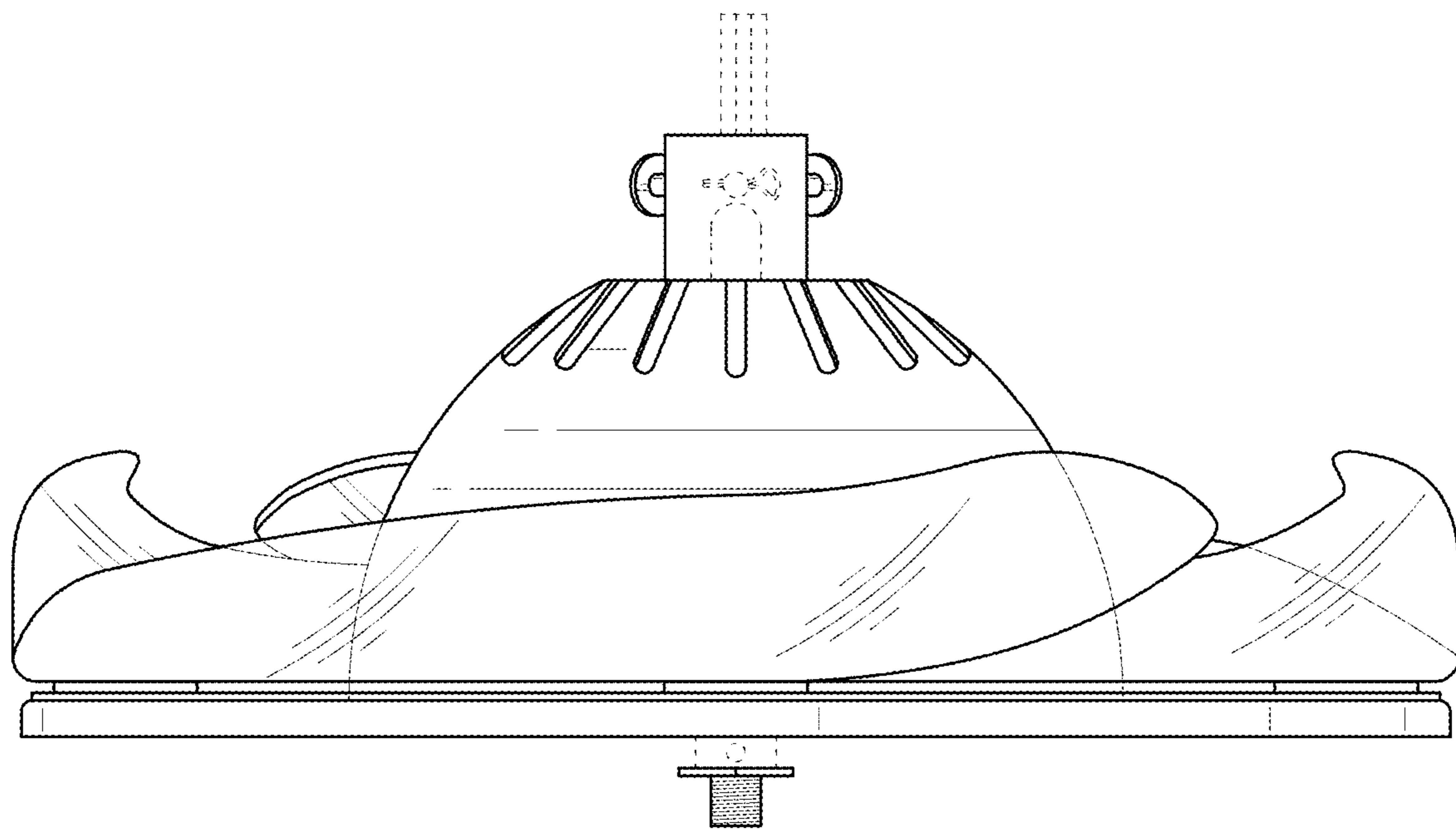


FIG. 5

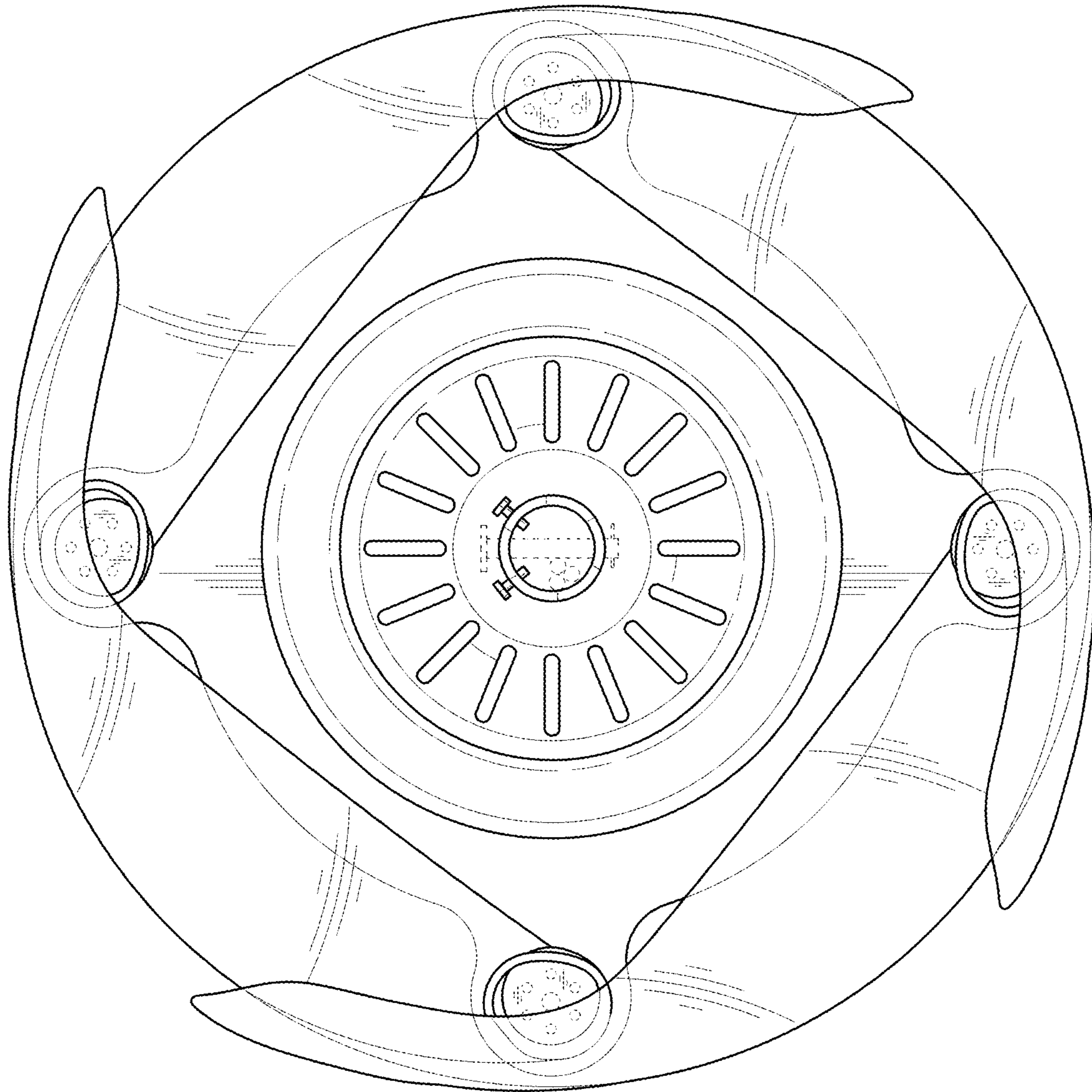


FIG. 6

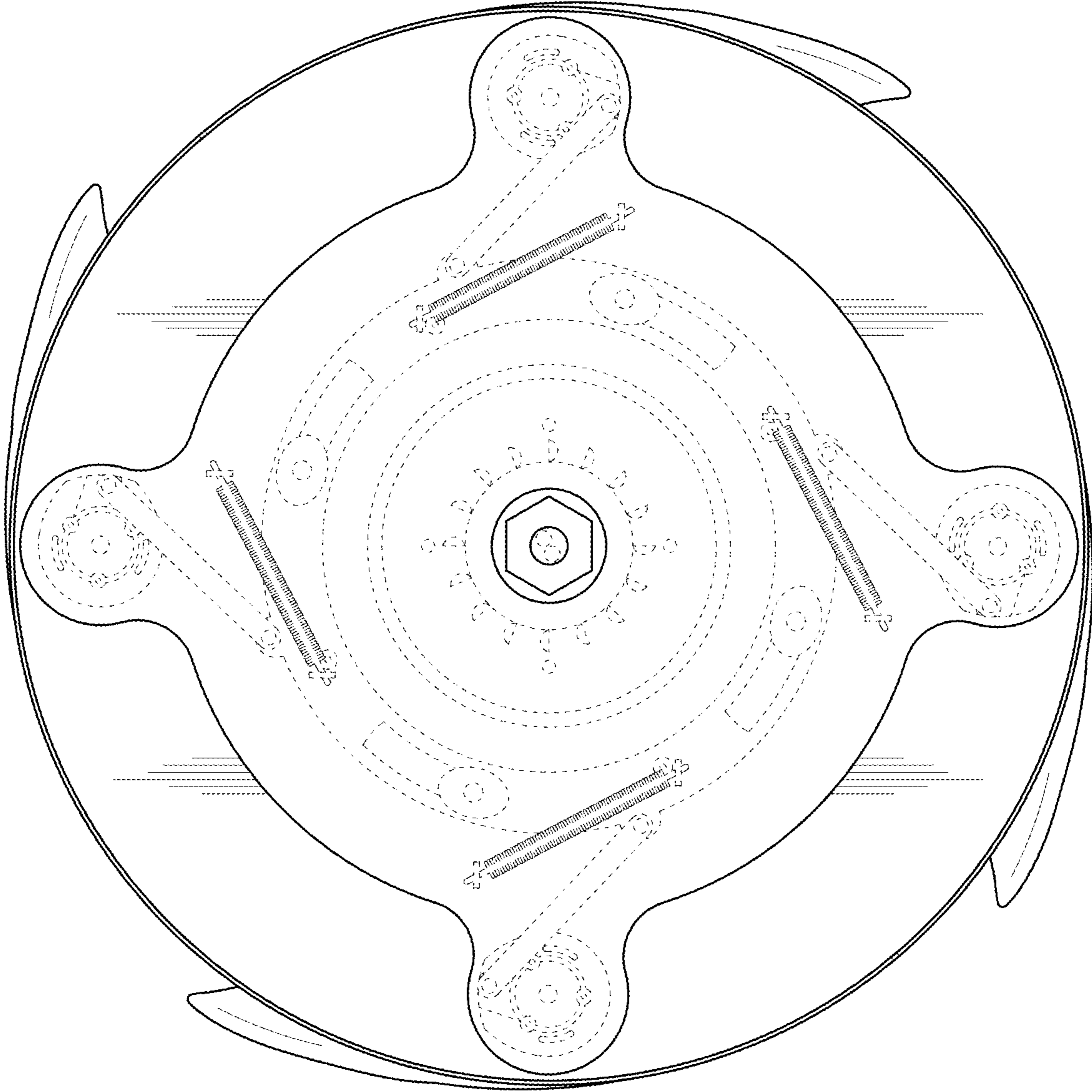


FIG. 7



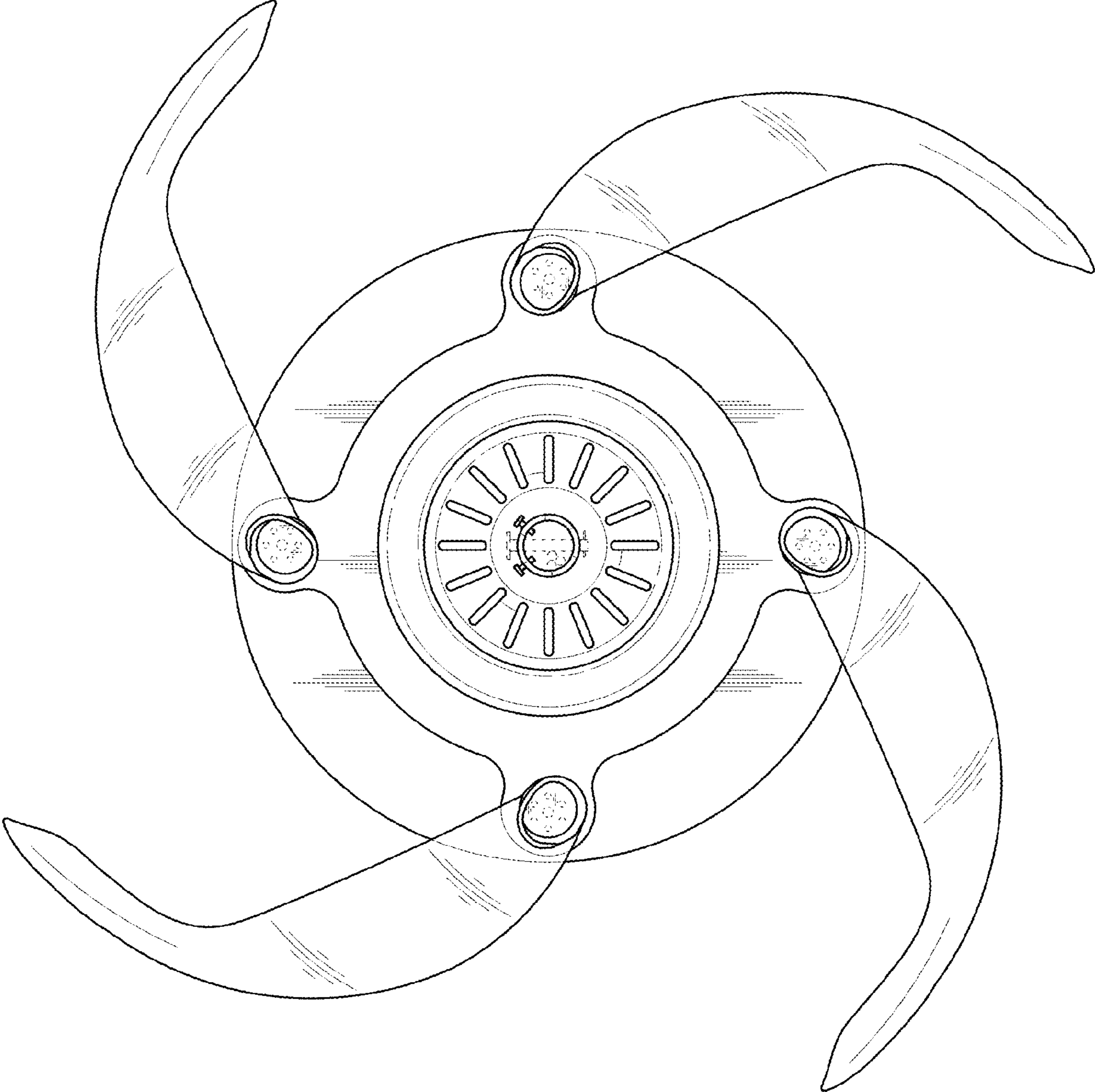


FIG. 8