



US00D899578S

(12) **United States Design Patent** (10) **Patent No.:** **US D899,578 S**
Haggar (45) **Date of Patent:** **** Oct. 20, 2020**

- (54) **CEILING FAN**
- (71) Applicant: **HUNTER FAN COMPANY**,
Memphis, TN (US)
- (72) Inventor: **Alexander Jonathan Haggar**,
Memphis, TN (US)
- (73) Assignee: **Hunter Fan Company**, Memphis, TN
(US)
- (**) Term: **15 Years**
- (21) Appl. No.: **29/715,734**
- (22) Filed: **Dec. 4, 2019**

- D534,273 S 12/2006 Pan
- D549,384 S 8/2007 Grawunder
- D556,938 S 12/2007 Russello et al.
- D561,374 S 2/2008 Hartmann, Jr. et al.
- D571,187 S 6/2008 Garnett
- D575,862 S 8/2008 McCalla et al.
- D609,799 S 2/2010 Lee
- D627,874 S 11/2010 Pan
- D628,688 S 12/2010 Pan

(Continued)

OTHER PUBLICATIONS

<http://www.craftmade.com/montreal-mn44>, Craftmade Montral Ceiling Fan with Blades included, Model No. MN44, accessed Apr. 4, 2017.

(Continued)

Primary Examiner — Cathron C Brooks
Assistant Examiner — Sharon S Oum
(74) *Attorney, Agent, or Firm* — McGarry Bair PC

Related U.S. Application Data

- (62) Division of application No. 29/624,826, filed on Nov. 3, 2017, now Pat. No. Des. 874,634.
- (51) **LOC (12) Cl.** **23-04**
- (52) **U.S. Cl.**
USPC **D23/377**
- (58) **Field of Classification Search**
USPC D23/370–385, 411–414; D26/59, 85, 86,
D26/89, 90
CPC F04D 25/088; F04D 29/38; F04D 29/384;
F04D 29/386; F21V 33/0096
See application file for complete search history.

(57) **CLAIM**

The ornamental design for a ceiling fan, as shown and described.

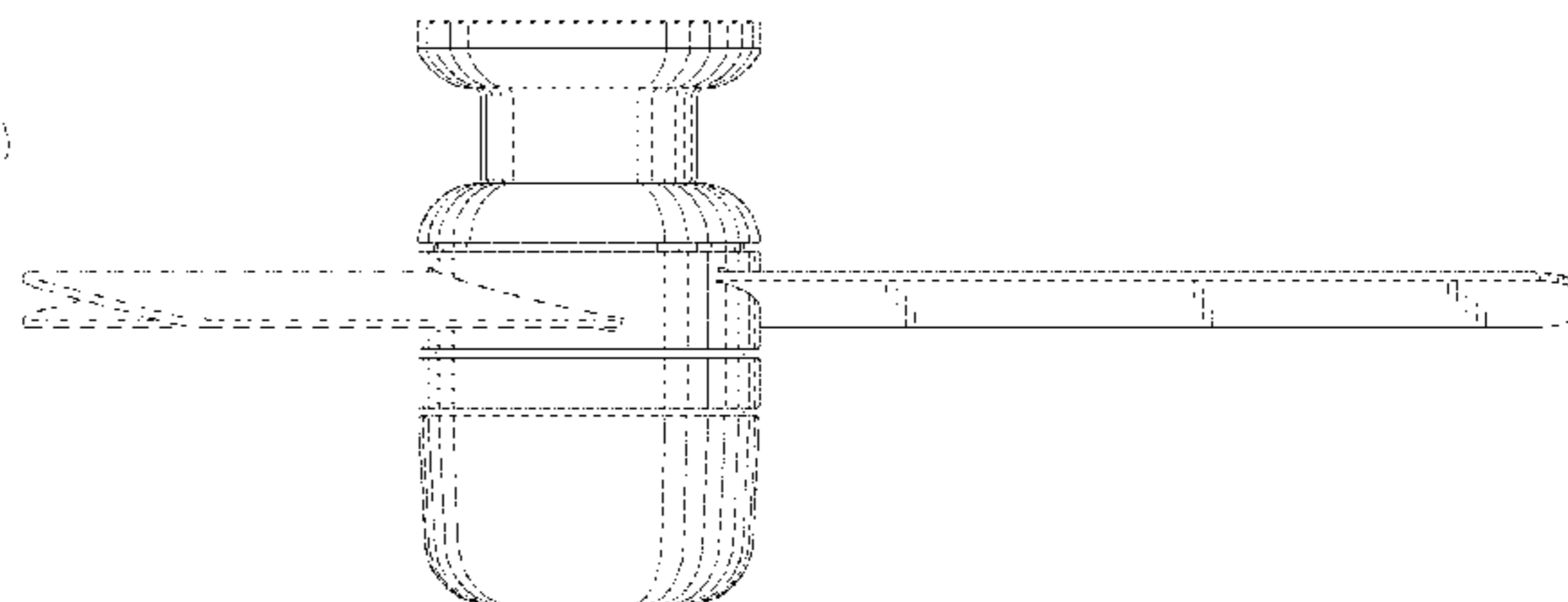
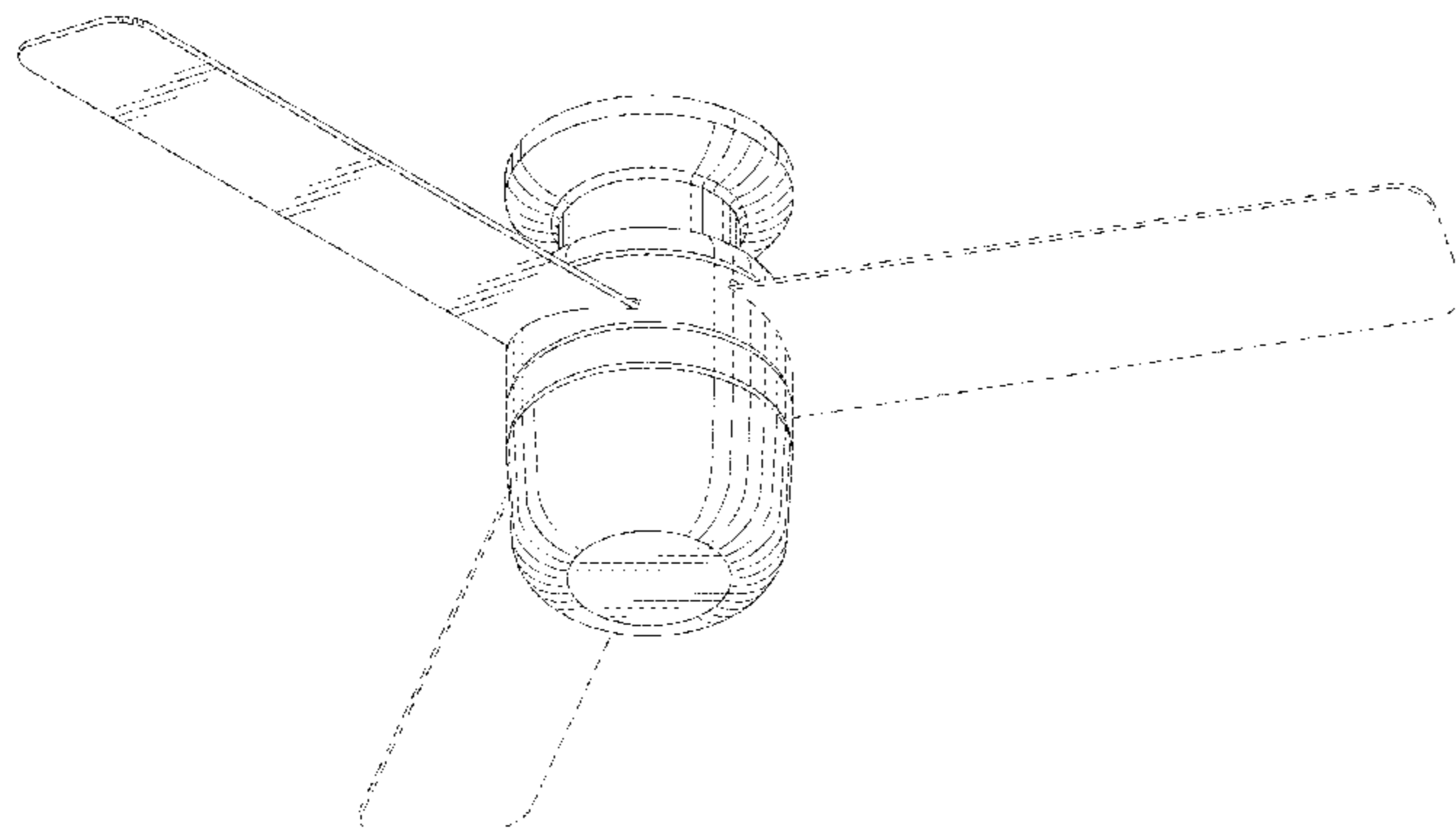
DESCRIPTION

FIG. 1 is a top perspective view of a ceiling fan according to my new design;
FIG. 2 is a bottom perspective view of the ceiling fan of FIG. 1;
FIG. 3 is a top view of the ceiling fan of FIG. 1;
FIG. 4 is a bottom view of the ceiling fan of FIG. 1;
FIG. 5 is a front view of the ceiling fan of FIG. 1;
FIG. 6 is a rear view of the ceiling fan of FIG. 1;
FIG. 7 is a left side view of the ceiling fan of FIG. 1; and,
FIG. 8 is a right side view of the ceiling fan of FIG. 1.
Portions of the ceiling fan shown in broken lines form no part of the claimed design.

1 Claim, 8 Drawing Sheets

(56) **References Cited**
U.S. PATENT DOCUMENTS

- D314,618 S 2/1991 Yen
- D328,785 S 8/1992 Markwardt
- D357,978 S * 5/1995 Young D23/377
- D421,113 S 2/2000 Zuege
- D431,307 S 9/2000 Zelina, Jr. et al.
- D443,713 S 6/2001 Benensohn
- D453,216 S 1/2002 Gajewski
- D478,974 S 8/2003 Hidalgo
- D506,565 S 6/2005 Yurich



(56)

References Cited

U.S. PATENT DOCUMENTS

| | | | |
|-----------------|---------|-----------------|-------------|
| D631,598 S * | 1/2011 | Kondo | D26/120 |
| D633,231 S | 2/2011 | Morrison | |
| D633,644 S | 3/2011 | Sprengers | |
| D664,279 S | 7/2012 | Meise et al. | |
| D707,336 S | 6/2014 | Pan | |
| D708,315 S | 7/2014 | Wang | |
| 9,022,731 B2 | 5/2015 | Seccareccia | |
| D739,001 S | 9/2015 | Crisa' | |
| D751,187 S * | 3/2016 | Dolan | D23/377 |
| D759,799 S | 6/2016 | Wang | |
| D771,794 S | 11/2016 | Wang | |
| D772,393 S | 11/2016 | Wang | |
| D782,644 S | 3/2017 | Wang | |
| D788,283 S | 5/2017 | Busta | |
| D788,286 S | 5/2017 | Busta | |
| D795,410 S | 8/2017 | Holmes | |
| D799,667 S | 10/2017 | Wang | |
| D804,639 S | 12/2017 | Guthrie | |
| D805,174 S | 12/2017 | Guthrie | |
| D805,175 S | 12/2017 | Haggar | |
| D805,625 S | 12/2017 | Haggar | |
| D808,510 S | 1/2018 | Gajewski | |
| D809,644 S | 2/2018 | Holmes et al. | |
| D810,917 S | 2/2018 | Holmes | |
| D810,920 S | 2/2018 | Haggar | |
| 9,897,095 B2 * | 2/2018 | Botkin | F04D 25/088 |
| D818,104 S * | 5/2018 | Holmes | D23/377 |
| D826,394 S | 8/2018 | Biancuzzo | |
| D830,870 S | 10/2018 | Shepher | |
| D834,696 S | 11/2018 | Schulzman | |
| D834,734 S | 11/2018 | Guthrie | |
| D854,210 S | 7/2019 | Holmes | |
| D855,172 S | 7/2019 | Holmes | |
| D855,788 S | 8/2019 | Haggar | |
| D855,789 S | 8/2019 | Haggar | |
| D861,850 S * | 10/2019 | Gajewski | D23/380 |
| D872,251 S * | 1/2020 | Haggar | D23/377 |
| D872,252 S * | 1/2020 | McRoberts | D23/377 |
| D874,634 S * | 2/2020 | Haggar | D23/377 |
| D874,635 S * | 2/2020 | Holmes | D23/377 |
| D874,637 S * | 2/2020 | Haggar | D23/411 |
| D877,313 S * | 3/2020 | Wang | D23/377 |
| 2015/0078906 A1 | 3/2015 | Wang | |
| 2018/0128277 A1 | 5/2018 | Chia | |

OTHER PUBLICATIONS

<http://www.montecarlofans.com/53839/60-0wen-Brushed-Steel-30WR60BSD.html>, Monte Carlo Owen Collection, 60" Ceiling Fan

with Brushed Steel, Product No. 30WR60BSD, accessed Apr. 4, 2017.

<http://ceilingfans.emerson.com/shoplen/fan/fans-s-emerson-fans/fans-s-contemporary/atomical-fan-p-cf930>, Emerson Atomical Indoor/Outdoor Brush Steel Ceiling Fan with Light, Item No. CF930, accessed Apr. 4, 2017.

<https://www.casablancafanco.com/Ceiling-Fans/Isotope-Small-Room?ModelNumber=59020>, Casablanca Isotope 44" Ceiling Fan in Brushed Cocoa an 5 Espresso Veneer Exclusive Blades, Model No. 59020, accessed Apr. 4, 2017.

<http://www.fanimation.com/products/index.php/fans/level.html>, Fanimation Level Ceiling Fan in category—fans, hugger, indoor, Model No. LP8347, accessed Apr. 4, 2017.

<http://www.craftmade.com/beltre-bel52bnk3crwm>, Craftmade Beltre 52" Ceiling Fan with Blades and Light, Model No. BEL52BNK3CRW, accessed Apr. 4, 2017.

<http://www.fanimation.com/products/index.php/fans/pylon.html>, Fanimation Pylon in category—fans, indoor, Model No. LP8277, accessed Apr. 4, 2017.

<http://www.kichler.com/products/product/52-arkwet-patio-ceiling-fan-mwh-339529mwh.aspx>, Kichler Arkwet Patio Collection, 52" Ceiling Fan, Item No. 339529MWH (Matte White), accessed Apr. 4, 2017.

<https://www.lowes.com/pd/Harbor-Breeze-Riverview-36-in-Bronze-Downrod-or-Close-Mount-Indoor-Ceiling-Fan-with-Light-Kit-4-Blade/1000124909>, Harbor Breeze Riverview 36-in Bronze Downrod or Close Mount Indoor Ceiling Fan with Light Kit, Model No. 40662, accessed Apr. 4, 2017.

<http://www.fanimation.com/products/index.php/fans/hugh-52.html>, Fanimation Hugh 52 Ceiling Fan in categories—fans, hugger and Wet Rated, Model No. FPS8355, accessed Apr. 4, 2017.

<http://www.homedepot.com/p/Hampton-Bay-Moresco-32-in-Oil-Rubbed-Bronze-Ceiling-Fan-14411/203697106>, Hampton Bay Moresco 32 in. Oil Rubbed Bronze Ceiling Fan, Model No. 14411, accessed Apr. 4, 2017.

<http://www.quoruminternational.com/index.cfm/app/productDetail?product=65524-95>, Quorum International, Davenport Old World Ceiling Fan, Item No. 65524-95, accessed Apr. 4, 2017.

<http://www.homedepot.com/p/Hampton-Bay-Roanoke-48-in-Indoor-Outdoor-Iron-Ceiling-Fan-YG216-N1/100666130>, Hampton Bay Roanoke 48 in. Indoor/Outdoor Iron Ceiling Fan, Model No. YG216-NI, accessed Apr. 4, 2017.

<http://www.homedepot.com/p/Hampton-Bay-Maxwell-52-in-Mediterranean-Bronze-Ceiling-Fan-55370/203788029>, Hampton Bay Maxwell 52 in. Mediterranean Bronze Ceiling Fan, Model No. 55370, accessed Apr. 4, 2017.

* cited by examiner

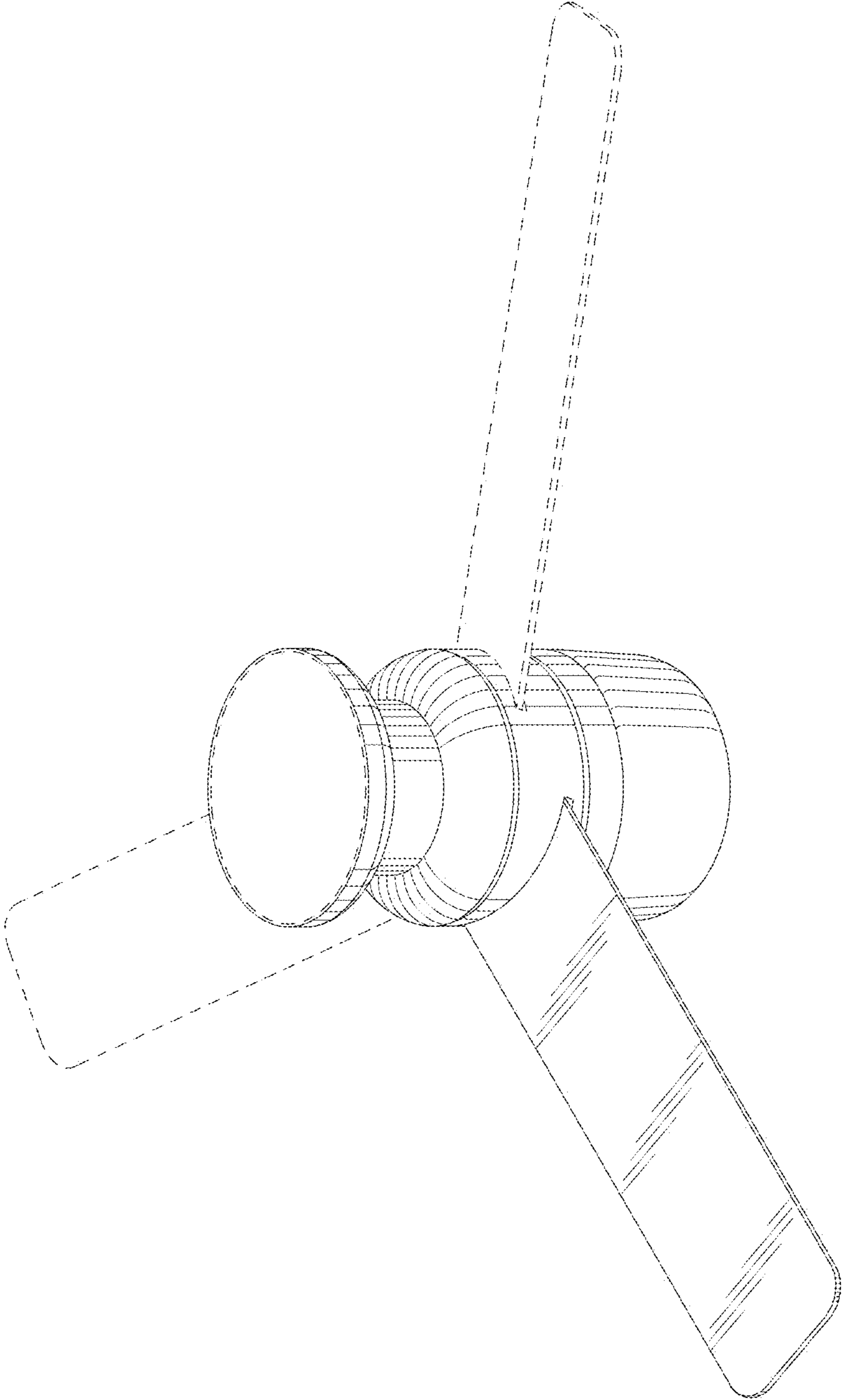


FIG. 1

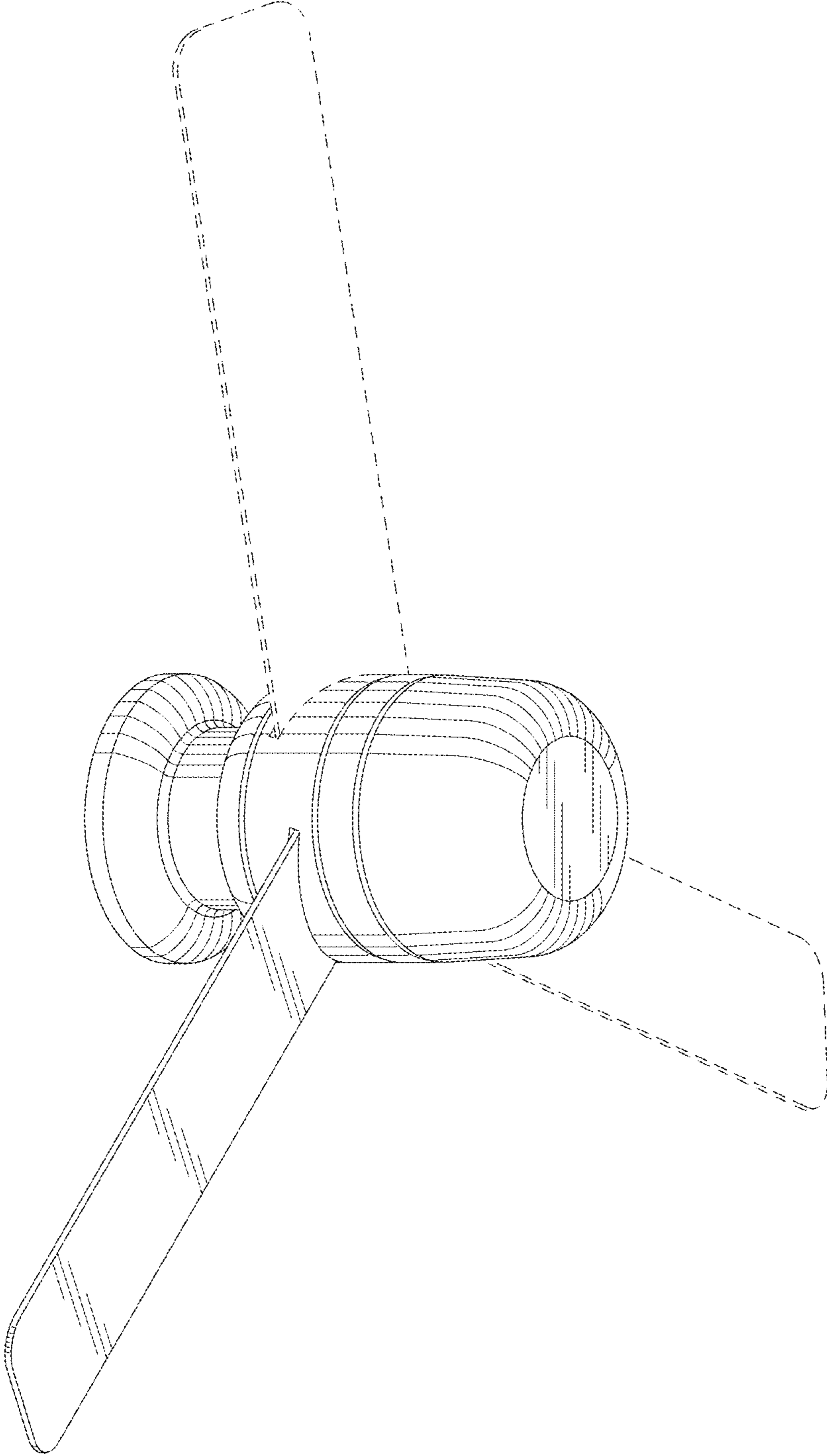


FIG.2

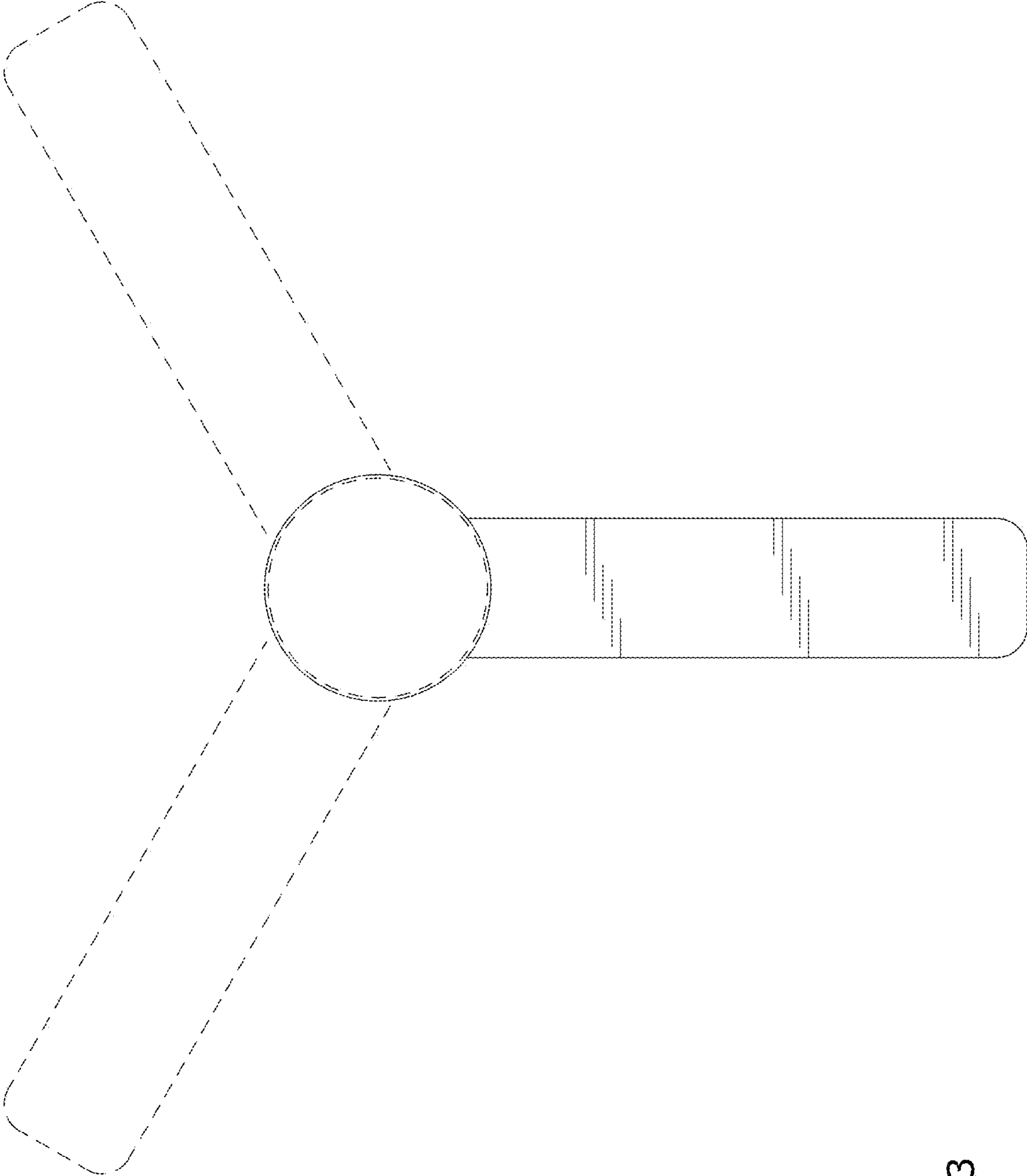


FIG.3

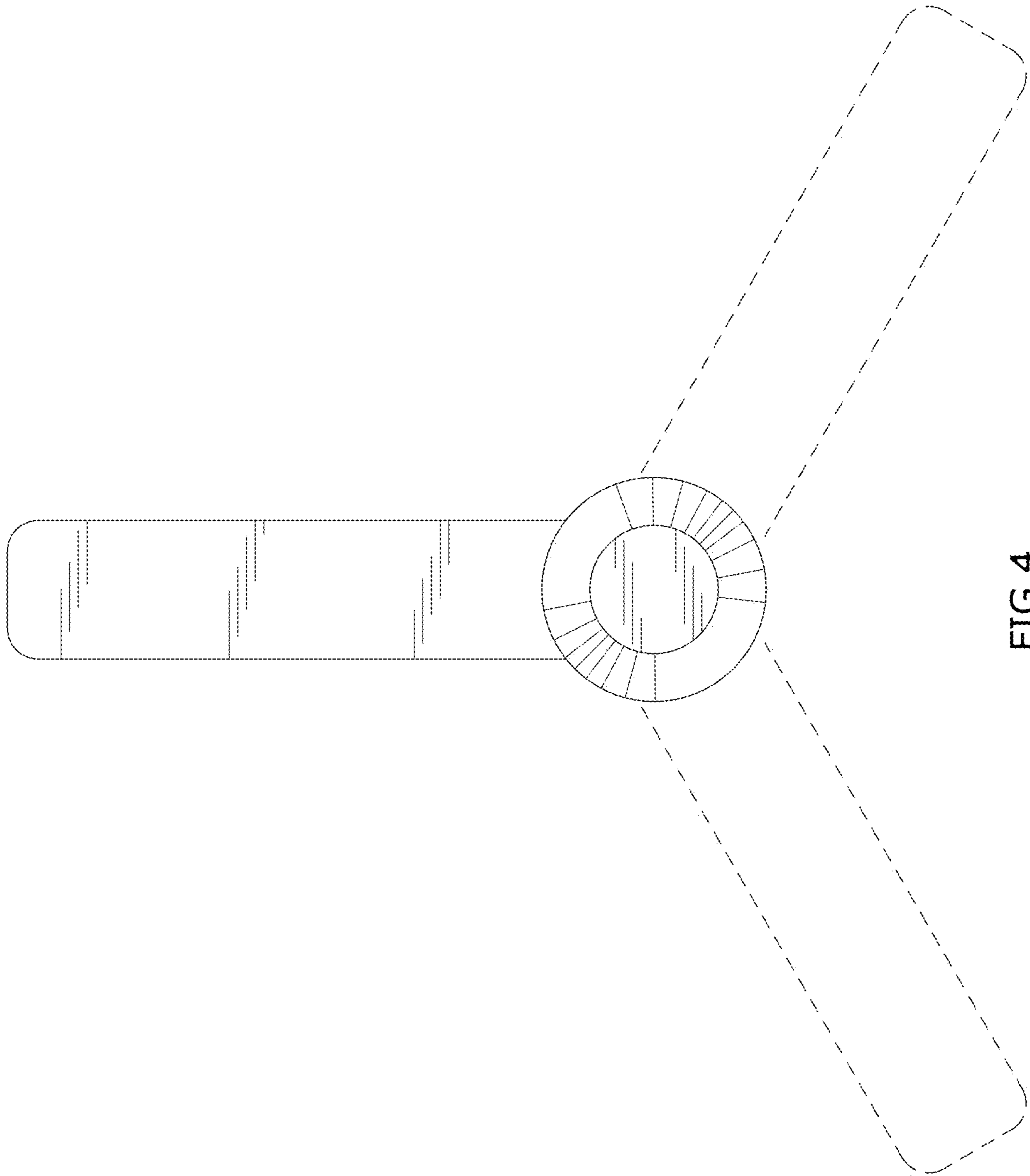


FIG. 4

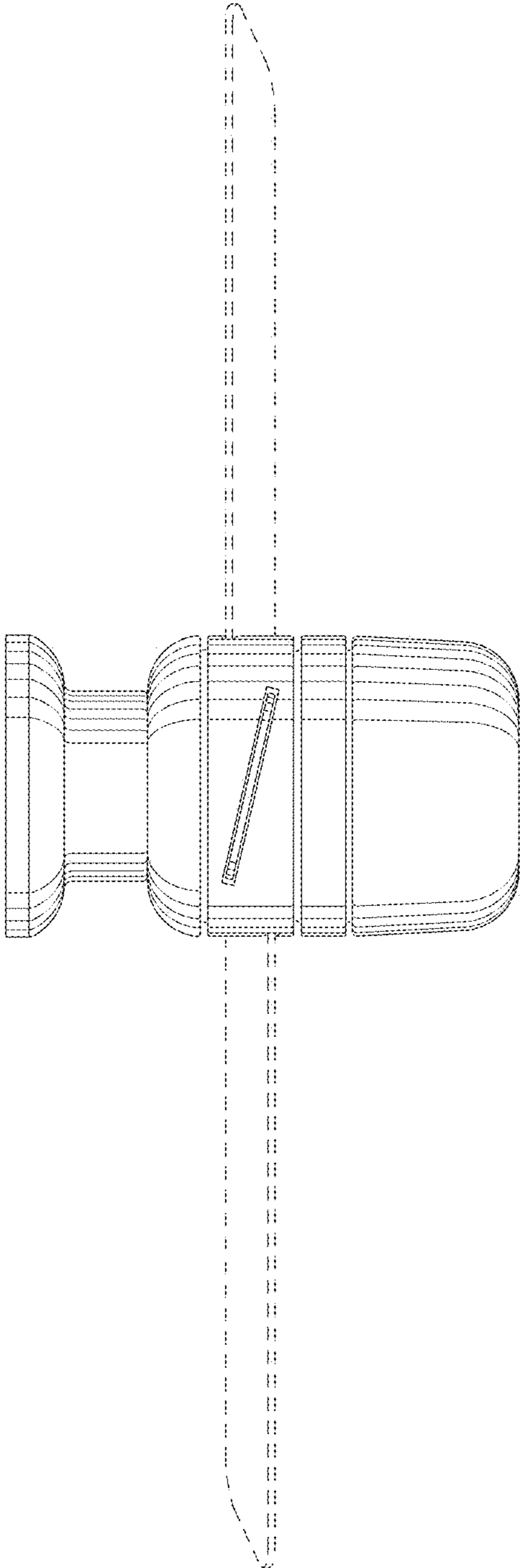


FIG.5

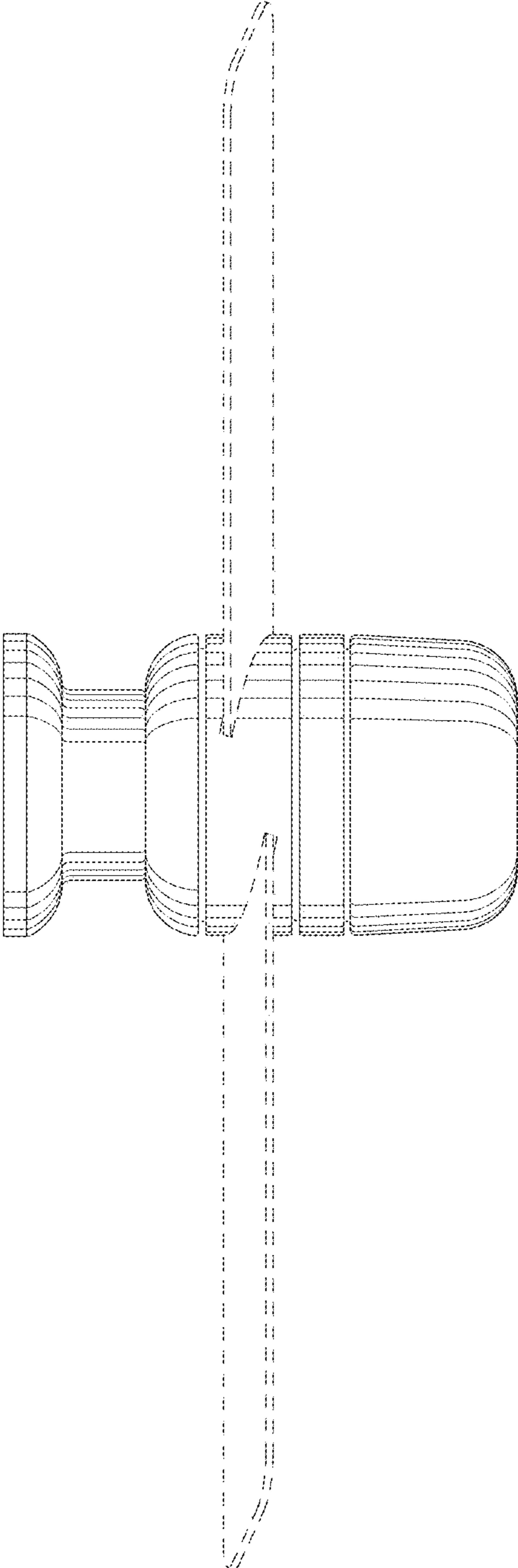


FIG.6

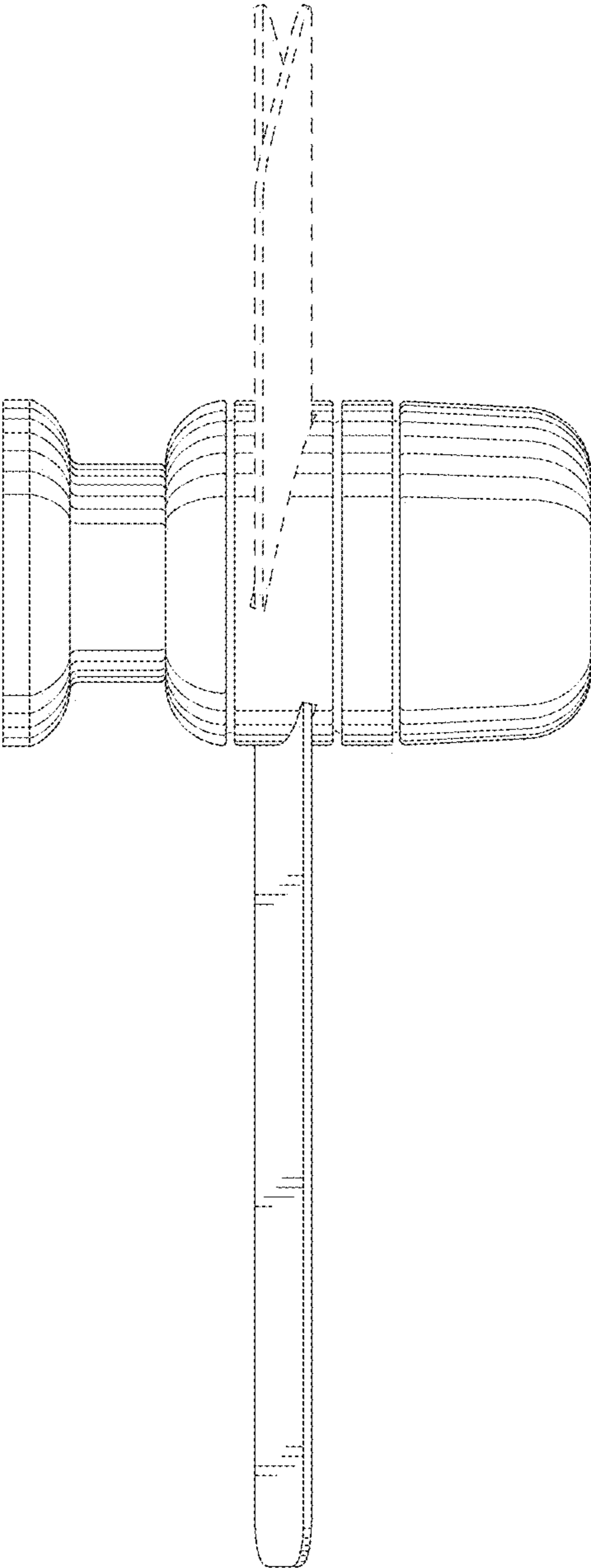


FIG. 7

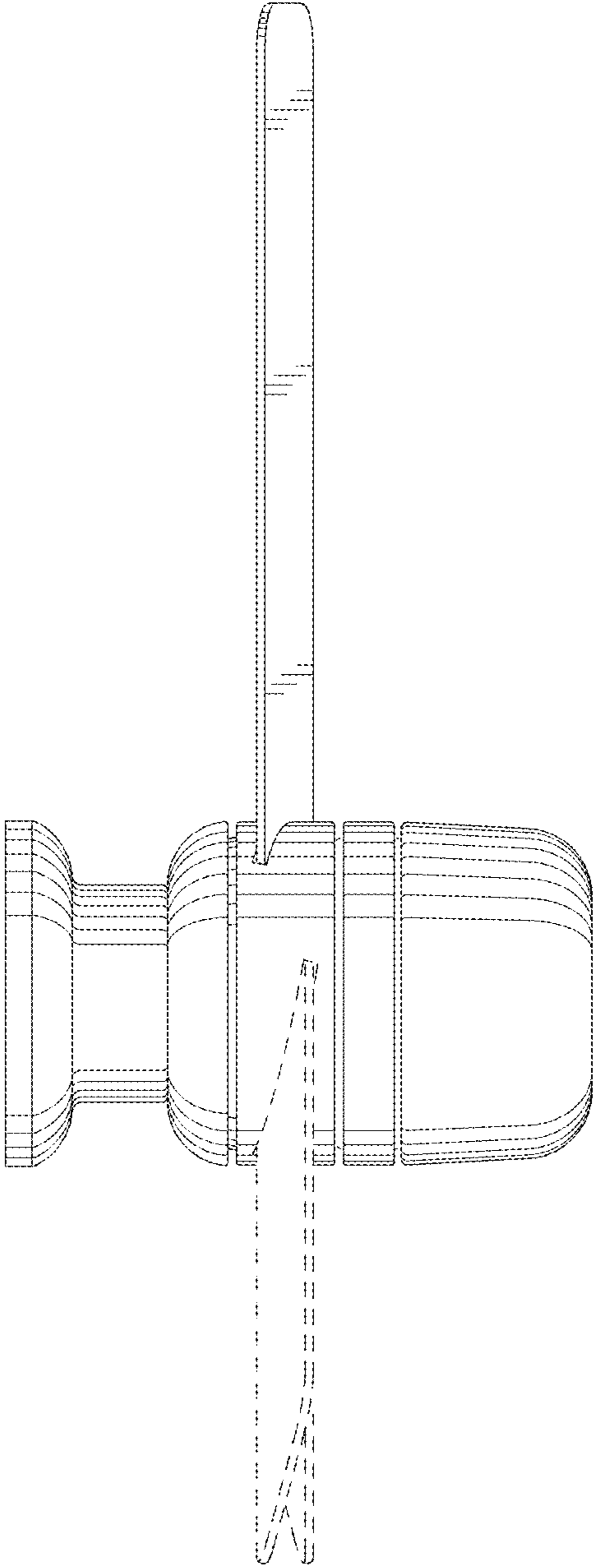


FIG. 8