



US00D899571S

(12) **United States Design Patent**
Li

(10) **Patent No.:** **US D899,571 S**

(45) **Date of Patent:** **** Oct. 20, 2020**

- (54) **DEHUMIDIFIER**
- (71) Applicant: **Shenzhen City Yiren Alliance Trading Co., LTD, Shenzhen (CN)**
- (72) Inventor: **Wei Li, Shenzhen (CN)**
- (73) Assignee: **Shenzhen City Yiren Alliance Trading Co., LTD, Shenzhen (CN)**
- (**) Term: **15 Years**
- (21) Appl. No.: **29/719,519**
- (22) Filed: **Jan. 6, 2020**
- (51) **LOC (12) Cl.** **23-04**
- (52) **U.S. Cl.**
USPC **D23/359**
- (58) **Field of Classification Search**
USPC D23/355–356, 259, 268, 332–333,
D23/335–336, 342, 351–352, 354,
D23/357–366, 369; 422/120, 122;
55/356, 473, 504; 261/DIG. 17, DIG. 31,
261/DIG. 65, DIG. 88
CPC B01D 2221/02; B01D 2259/4508
See application file for complete search history.

- D808,928 S * 1/2018 Schaal D14/216
- D809,500 S * 2/2018 Anderson
- D814,618 S * 4/2018 Cartwright et al.
- D818,097 S * 5/2018 Cho D23/364
- D836,606 S * 12/2018 Kangasmaa D14/216
- D845,456 S * 4/2019 Swanson et al.
- D870,873 S * 12/2019 Chen D23/356

FOREIGN PATENT DOCUMENTS

CN 305587651 * 2/2020

OTHER PUBLICATIONS

Hauture Electric Mini Dehumidifier; Amazon Earliest Review date: Jul. 23, 2019; Visited Online Mar. 24, 2020; https://www.amazon.com/HAUTURE-Electric-Dehumidifier-1500Cubic-Portable/dp/B081B7TJ8C/ref=cm_cr_ar_p_d_pdt_img_top?ie=UTF8 (Year: 2019).*

* cited by examiner

Primary Examiner — Amy C Wierenga
(74) *Attorney, Agent, or Firm* — ScienBiziP, P.C.

(57) **CLAIM**

The ornamental design for a dehumidifier, as shown and described.

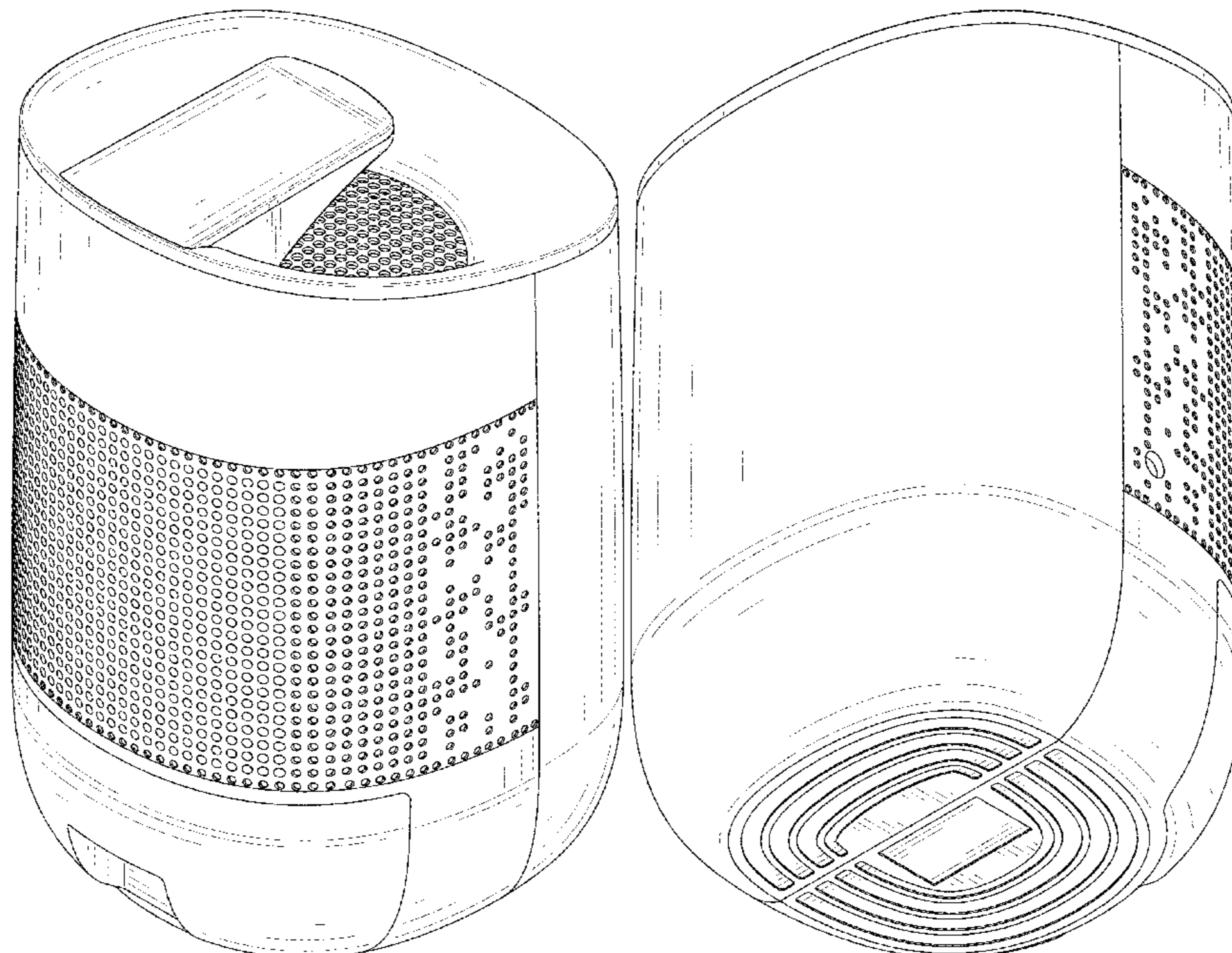
DESCRIPTION

FIG. 1 is a top, front, right side perspective view of a dehumidifier, showing my design.
FIG. 2 is a bottom, rear, left side perspective view thereof.
FIG. 3 is a front elevation view thereof.
FIG. 4 is a rear elevation view thereof.
FIG. 5 is a left side elevation view thereof.
FIG. 6 is a right side elevation view thereof.
FIG. 7 is a top plan view thereof; and,
FIG. 8 is a bottom plan view thereof.

1 Claim, 8 Drawing Sheets

(56) **References Cited**
U.S. PATENT DOCUMENTS

- D402,021 S * 12/1998 Allen D23/356
- D493,874 S * 8/2004 Woods D23/364
- D574,363 S * 8/2008 Laituri D14/168
- D675,190 S * 1/2013 Nysten D14/215
- D725,077 S * 3/2015 Wong
- D729,919 S * 5/2015 Yeom D23/359
- D735,845 S * 8/2015 Huang D23/359
- D786,415 S * 5/2017 Kim D23/359
- D804,002 S * 11/2017 Huang D23/364



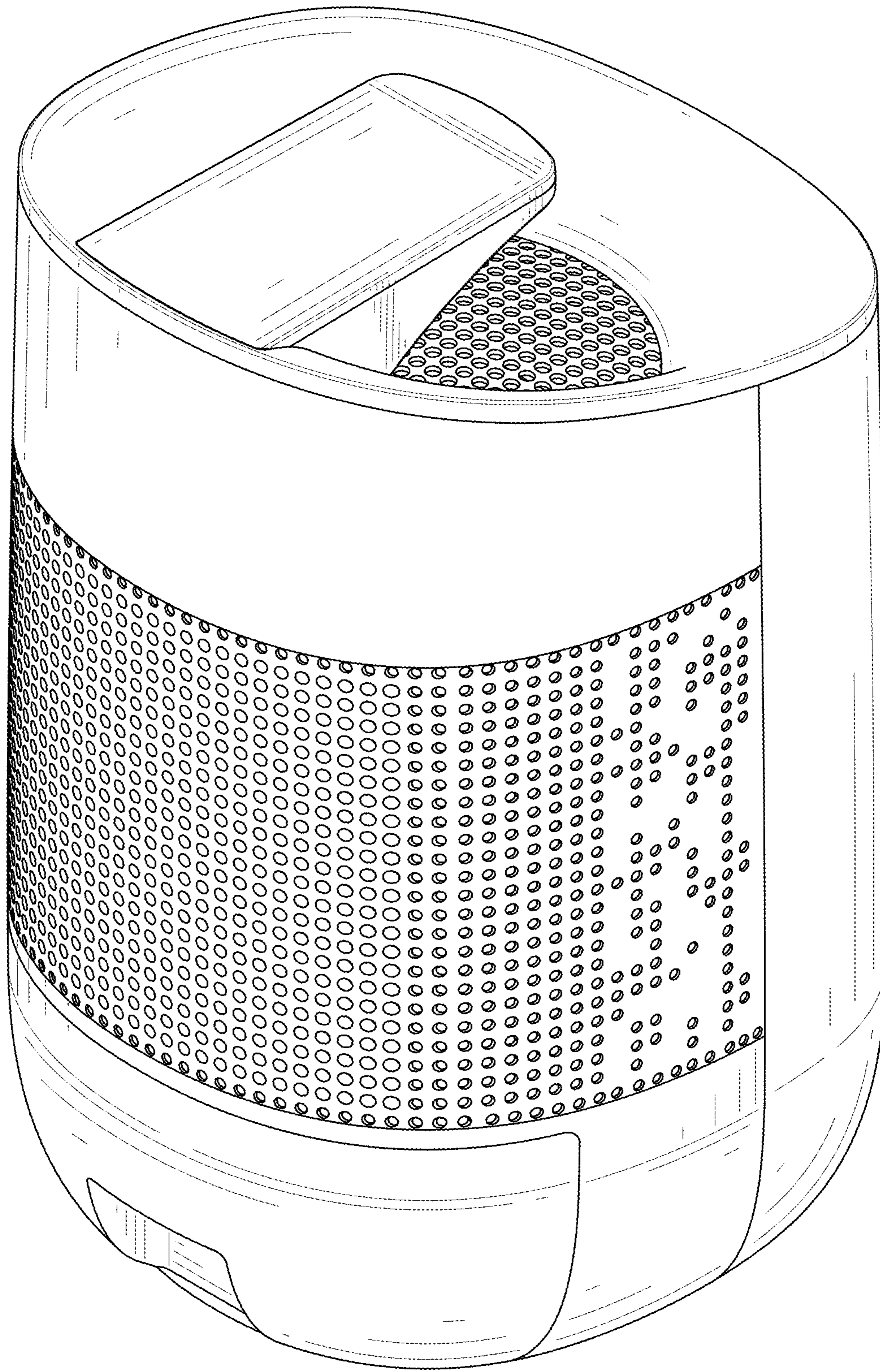


FIG. 1

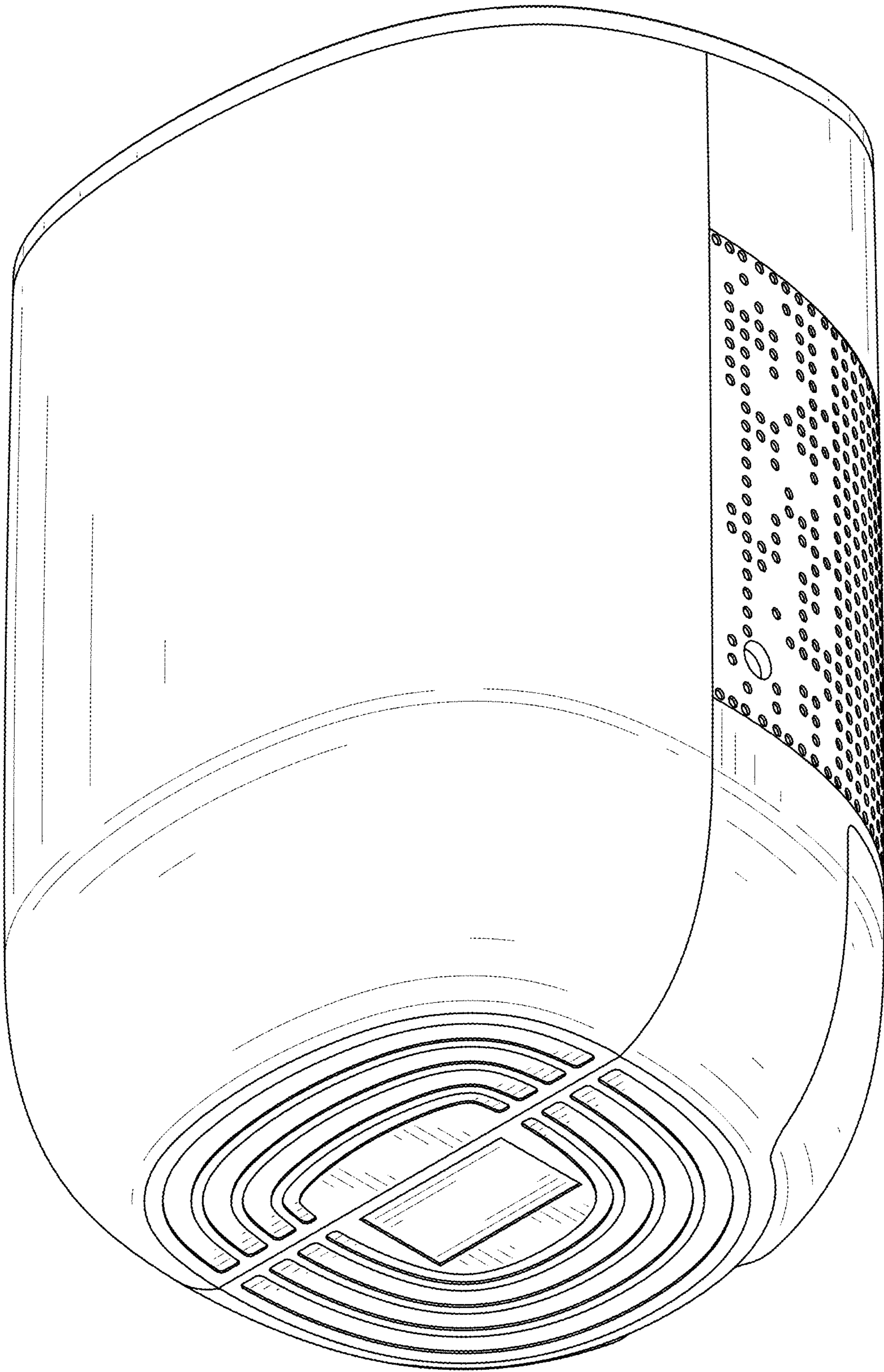


FIG. 2

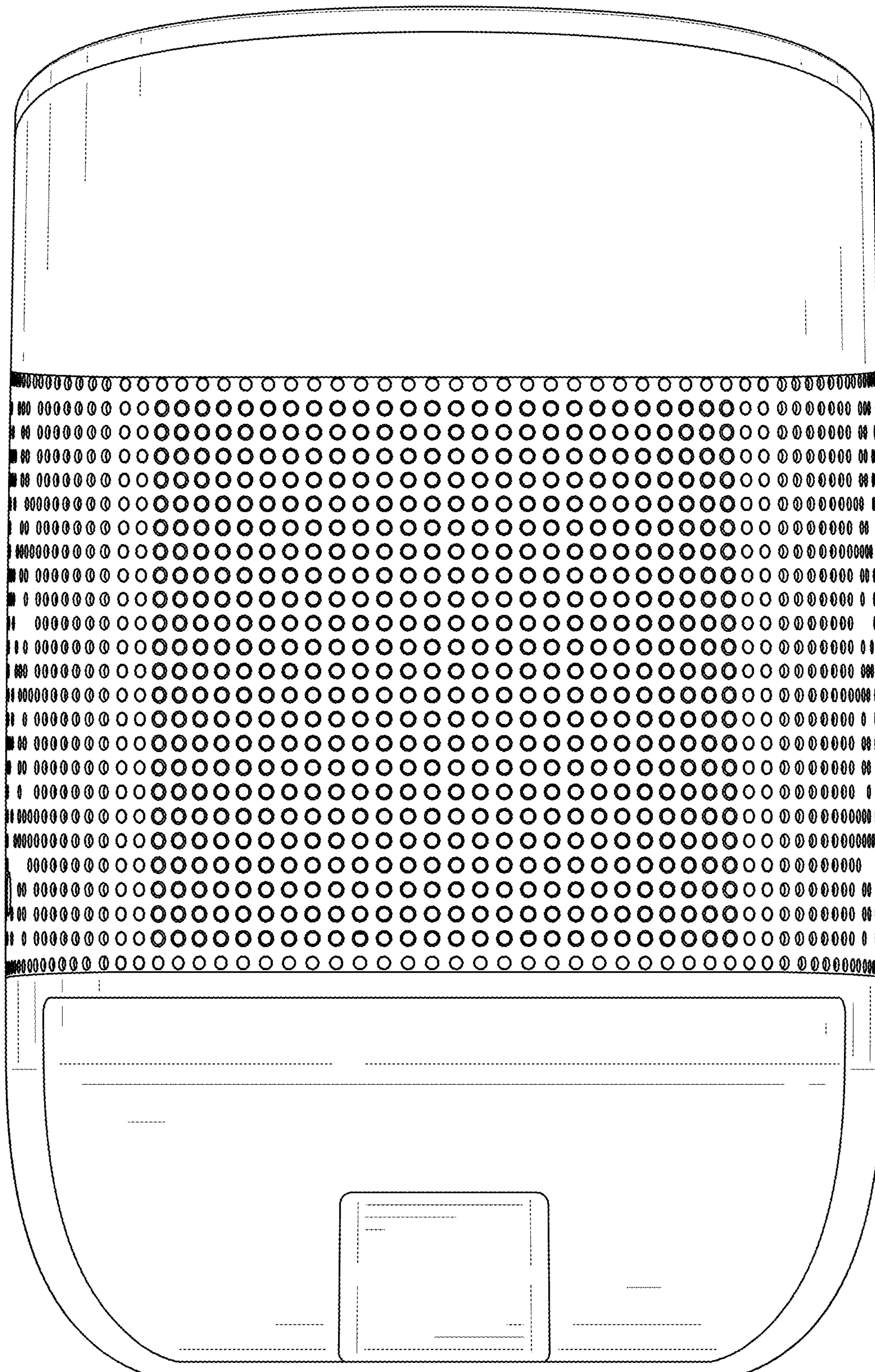


FIG. 3

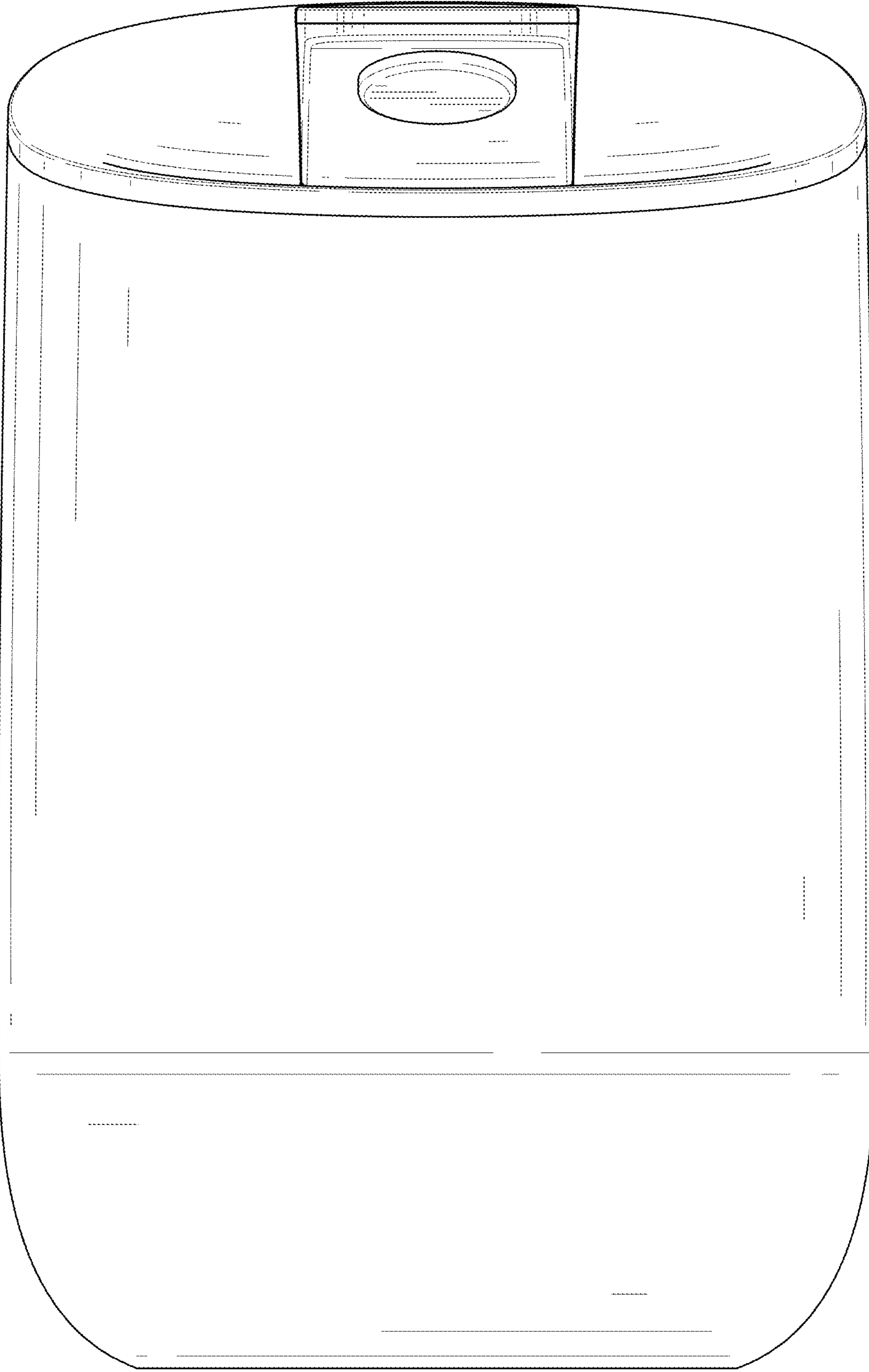


FIG. 4

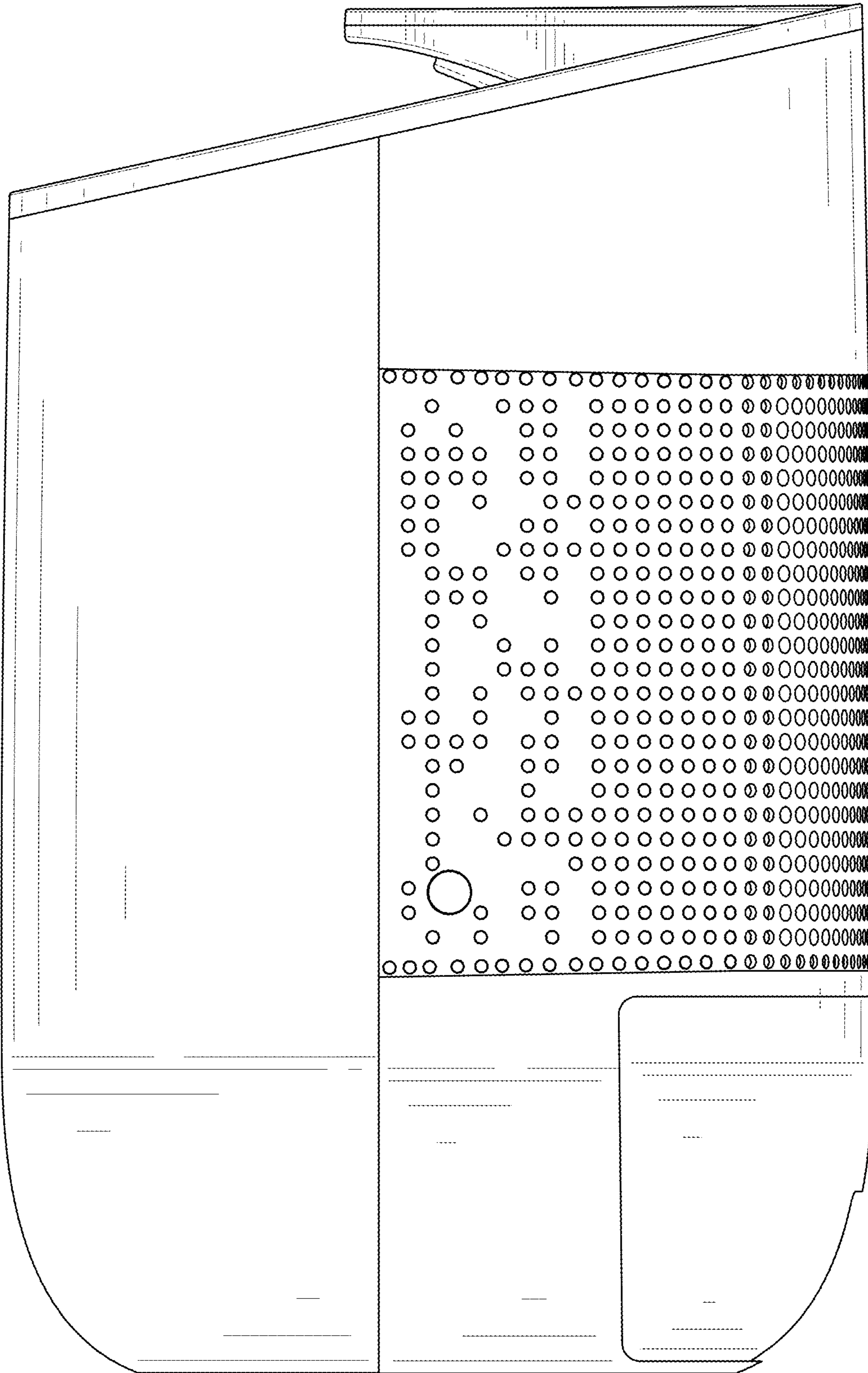


FIG. 5

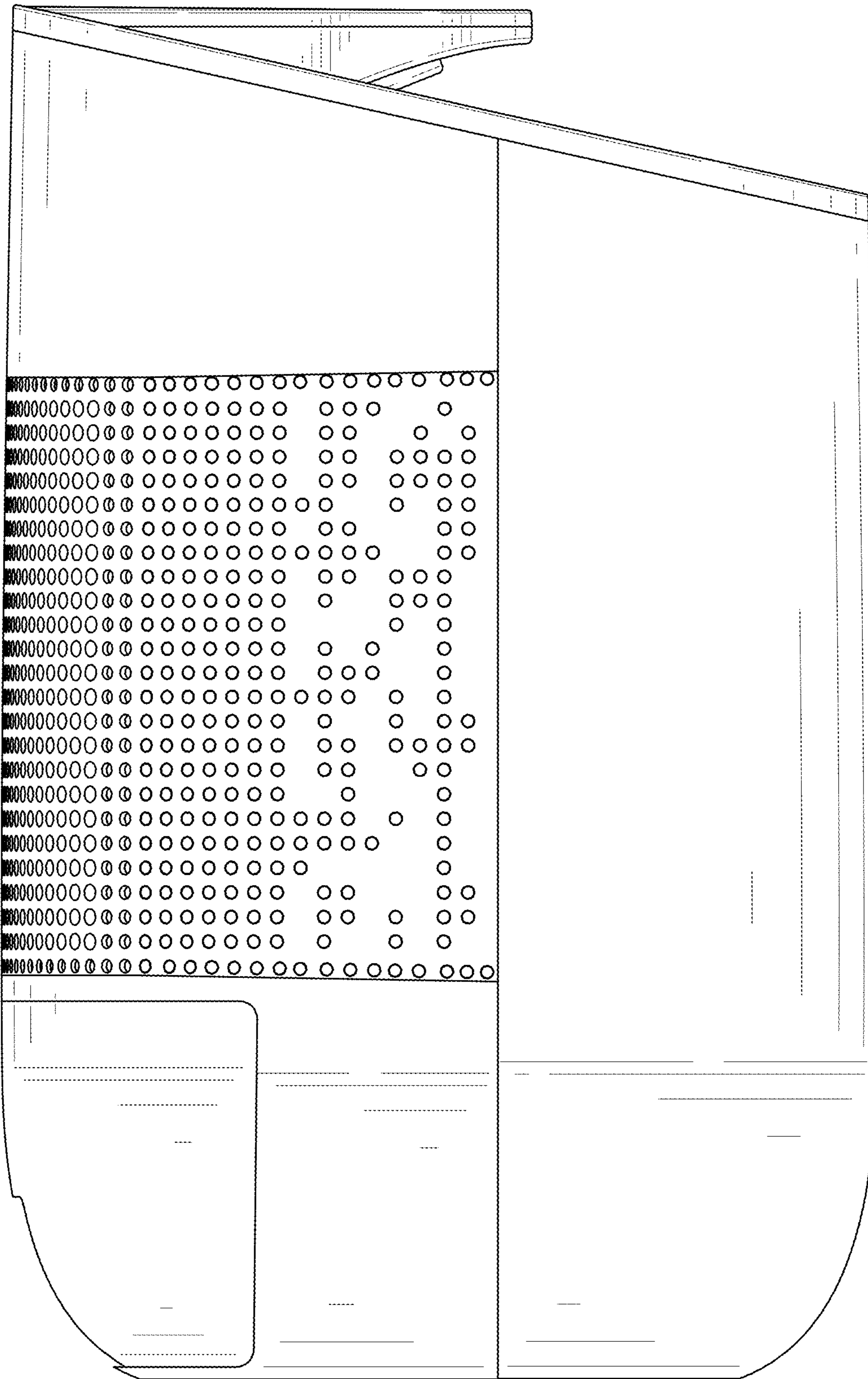


FIG. 6

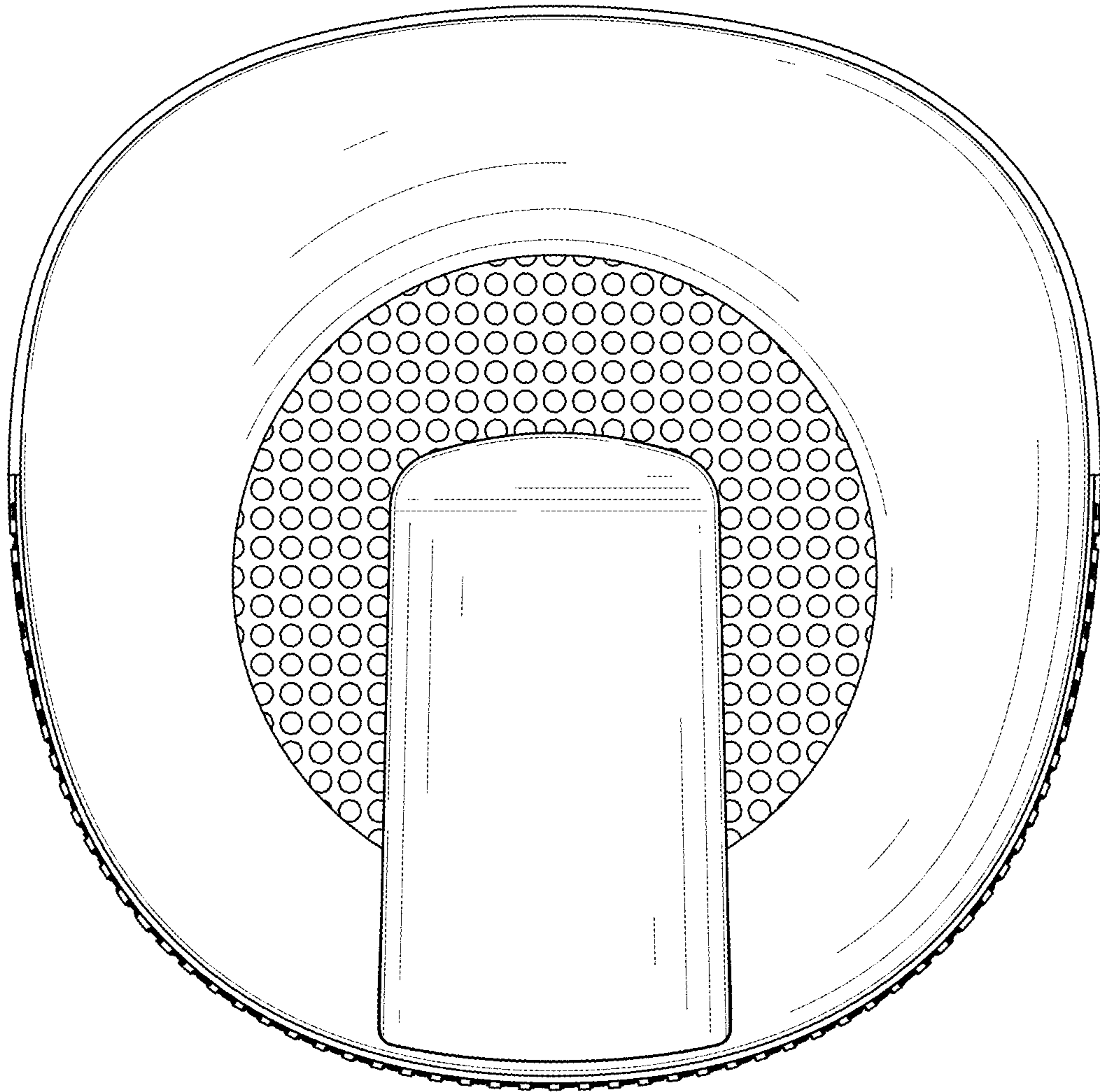


FIG. 7

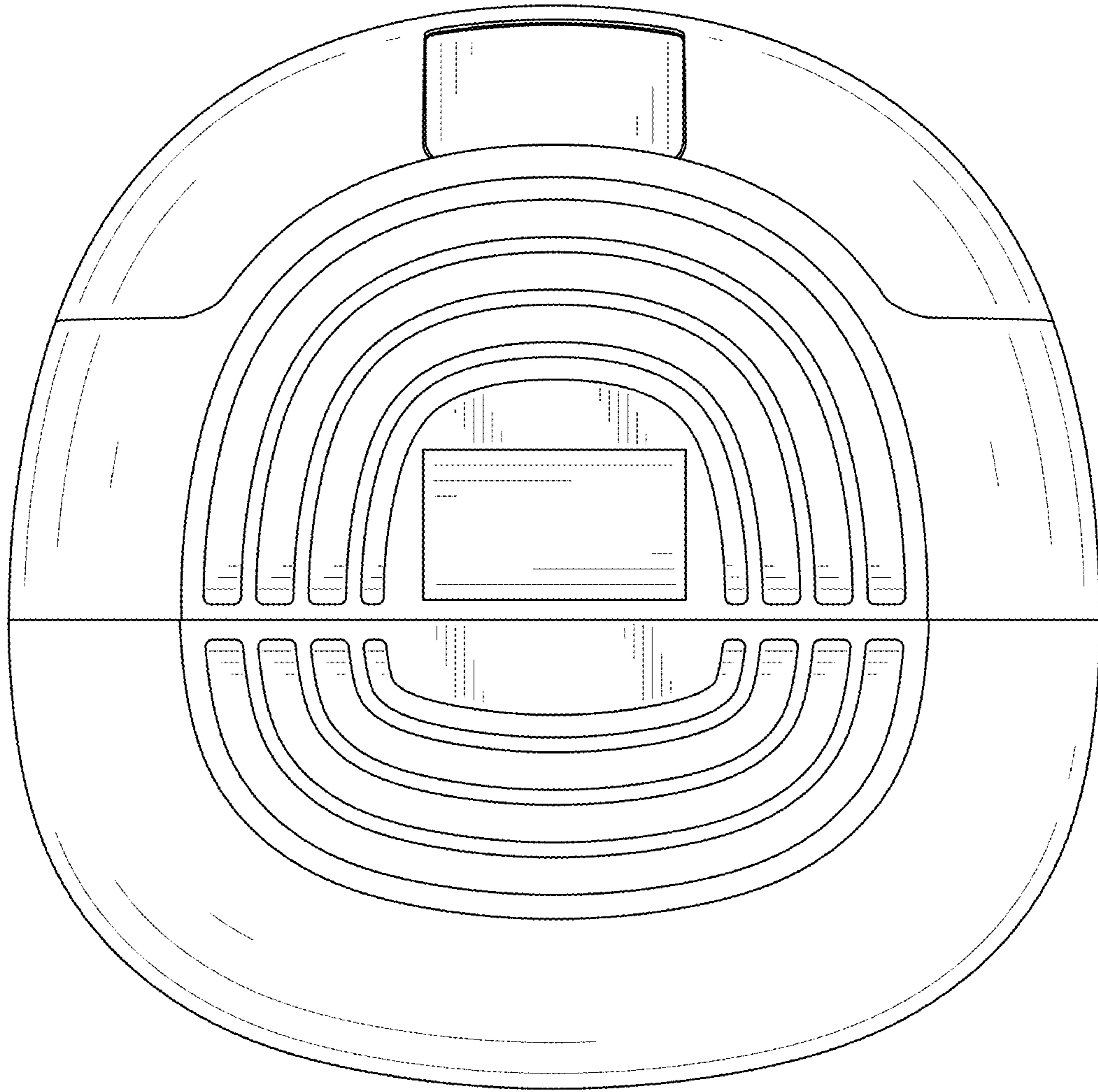


FIG. 8