



US00D899570S

(12) **United States Design Patent**
Kuhlman

(10) **Patent No.:** **US D899,570 S**

(45) **Date of Patent:** **** Oct. 20, 2020**

(54) **PORTABLE HUMIDIFICATION DEVICE**

(71) Applicant: **Whippet Innovations, LLC**, Lincoln, NE (US)

(72) Inventor: **Timothy Kuhlman**, Lincoln, NE (US)

(73) Assignee: **Whippet Innovations, LLC**, Lincoln, NE (US)

(**) Term: **15 Years**

(21) Appl. No.: **29/658,752**

(22) Filed: **Aug. 2, 2018**

(51) **LOC (12) Cl.** **23-04**

(52) **U.S. Cl.**
USPC **D23/356**

(58) **Field of Classification Search**
USPC D23/355–366, 352, 369, 332, 333, 335, D23/336, 342, 351; 422/120, 122; 55/356, 473, 504; 96/971; 261/DIG. 17, 261/DIG. 65, DIG. 88, DIG. 31
CPC .. A61L 9/16; A61L 9/22; B01D 47/00; B01D 47/027; B01D 2221/02; B01D 2259/4508; B03C 3/155; B03C 3/368; F24F 3/16; F24F 13/20; F24F 13/28
See application file for complete search history.

(56) **References Cited**

U.S. PATENT DOCUMENTS

D697,800 S * 1/2014 Villarreal D28/82
D720,063 S * 12/2014 Li D23/366

D733,859 S * 7/2015 Hsiao D23/366
D753,279 S * 4/2016 Li D23/366
D773,302 S * 12/2016 Henriksson D9/451
D800,285 S * 10/2017 Seo D23/358
D811,570 S * 2/2018 Tang D23/356
D813,366 S * 3/2018 Tang D23/366
D823,450 S * 7/2018 Seo D23/358
D828,534 S * 9/2018 Hu D23/366
D829,877 S * 10/2018 Liu D23/366
D850,608 S * 6/2019 Garcia D23/386
D851,227 S * 6/2019 Chen D23/356

* cited by examiner

Primary Examiner — David G Muller

(74) *Attorney, Agent, or Firm* — Suiter Swantz pc llo

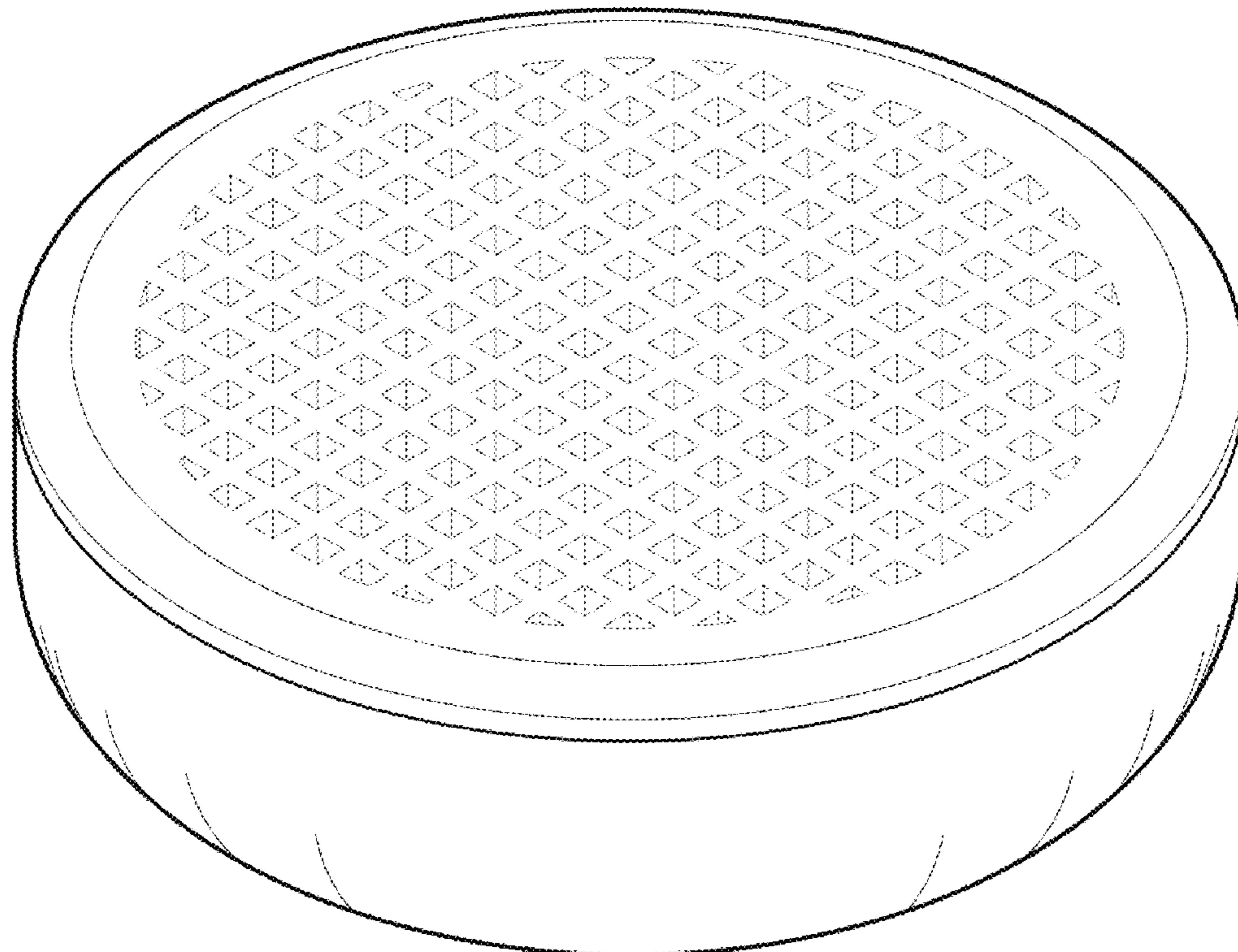
(57) **CLAIM**

The ornamental design for a portable humidification device, including an indentation on the bottom side, as shown and described.

DESCRIPTION

FIG. 1 is a top perspective view showing my new design; FIG. 2 is a bottom perspective view thereof; FIG. 3 is a top elevational view thereof; FIG. 4 is a front plan view thereof; FIG. 5 is a back plan view thereof; FIG. 6 is a side plan view thereof; FIG. 7 is a second side plan view thereof; and, FIG. 8 is a bottom elevational view thereof.

1 Claim, 8 Drawing Sheets



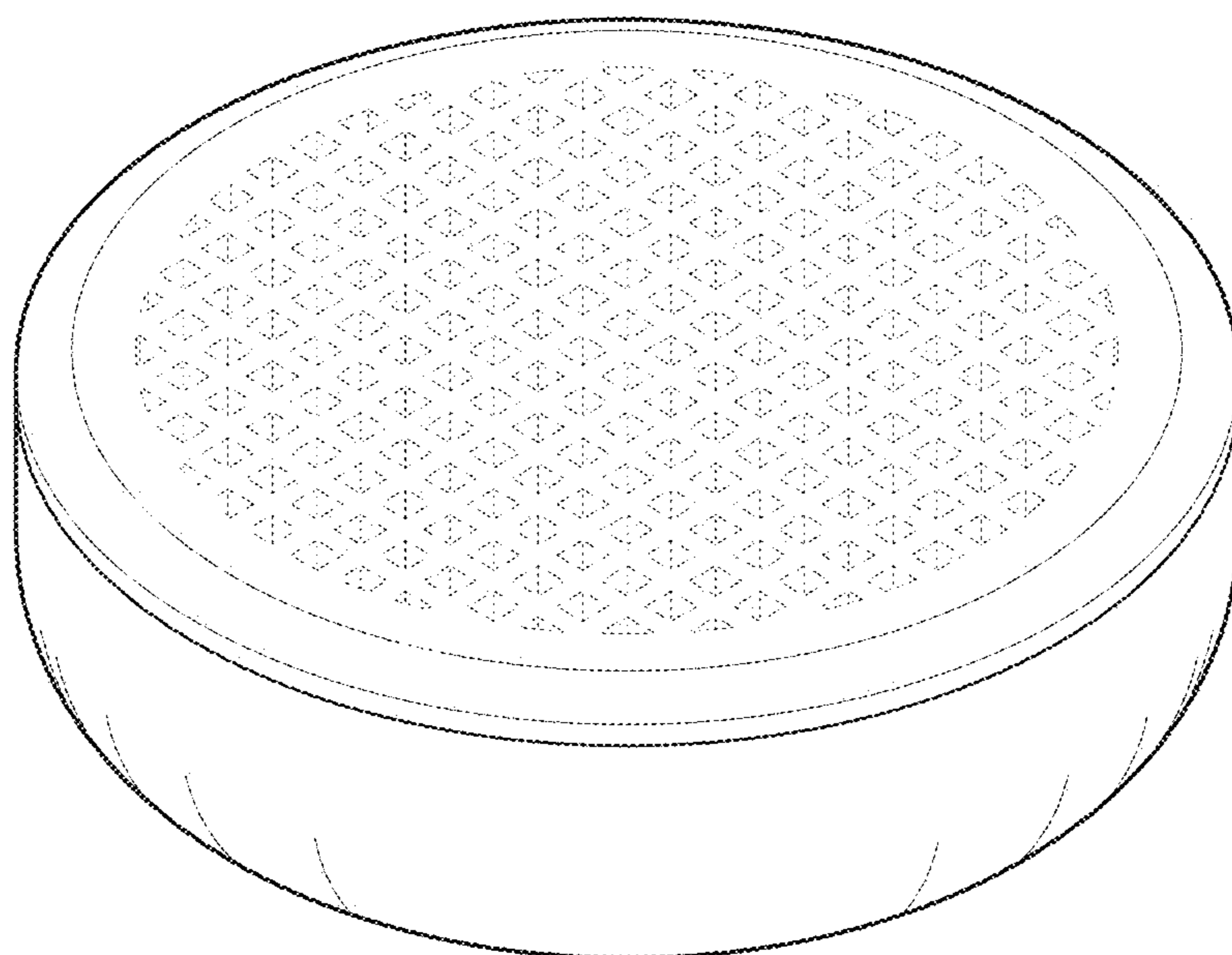


FIG. 1

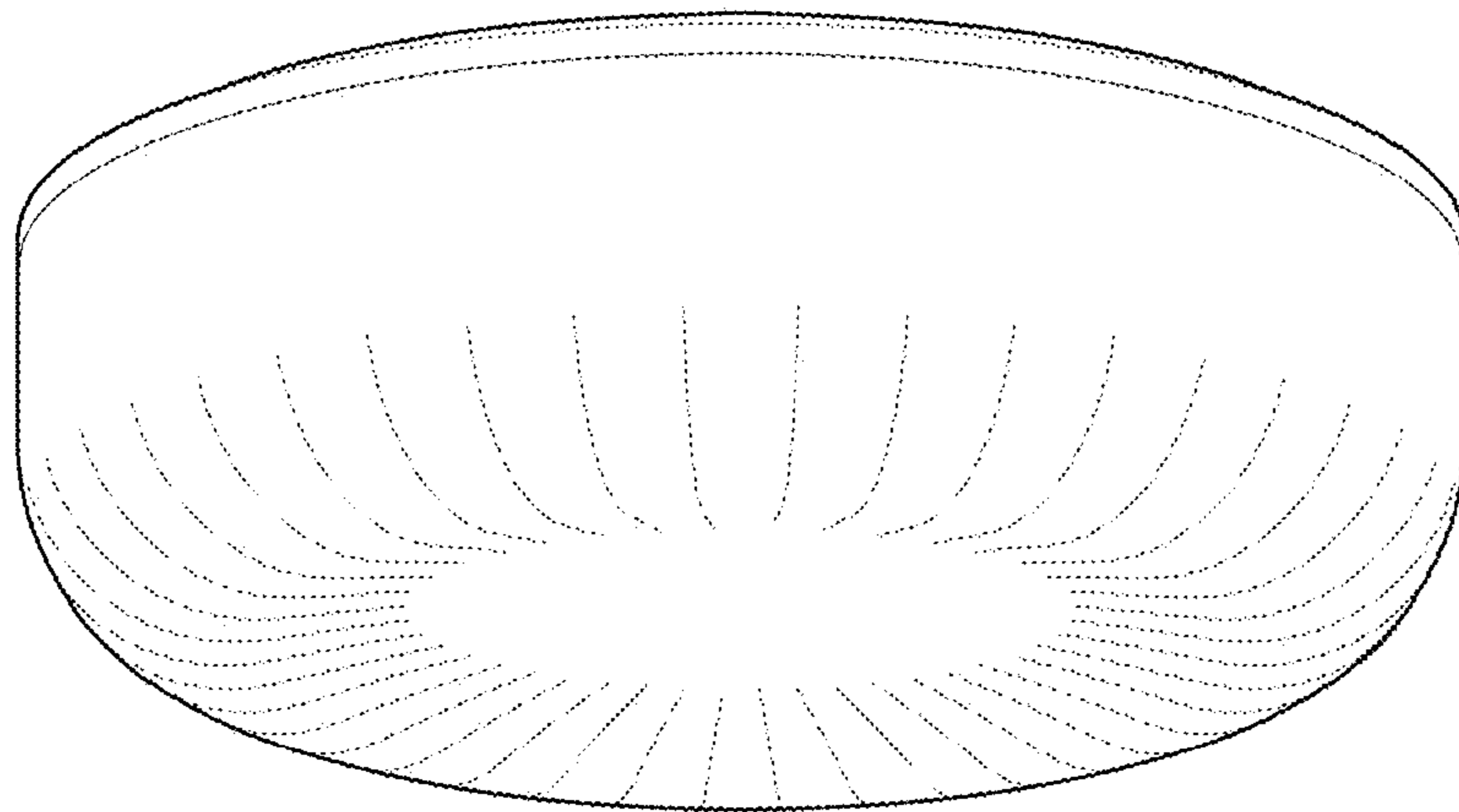


FIG. 2

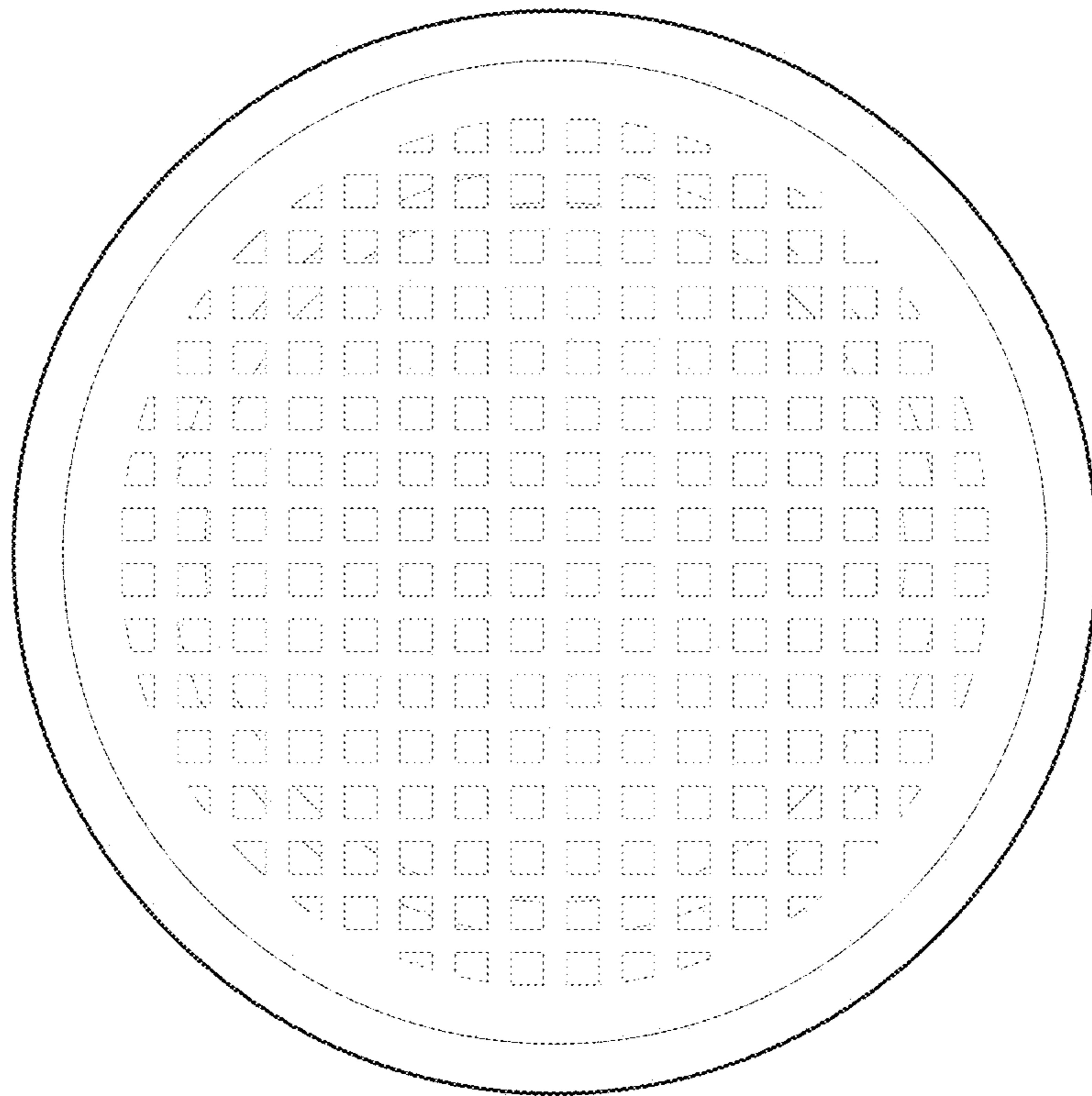


FIG. 3

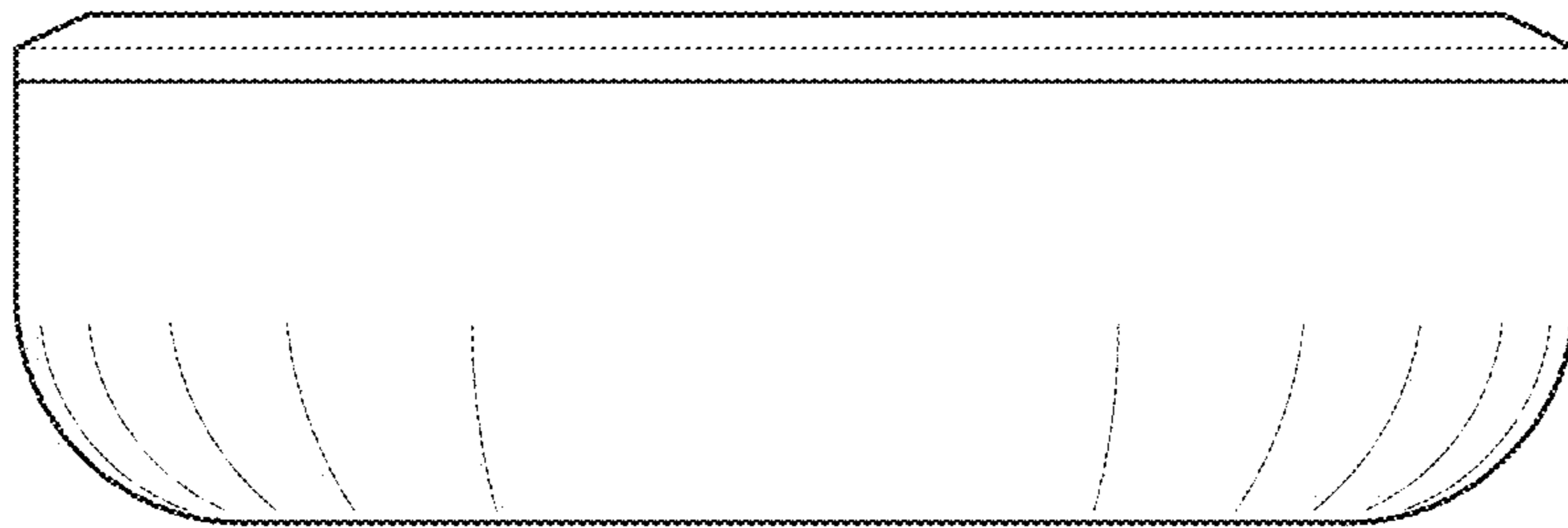


FIG. 4

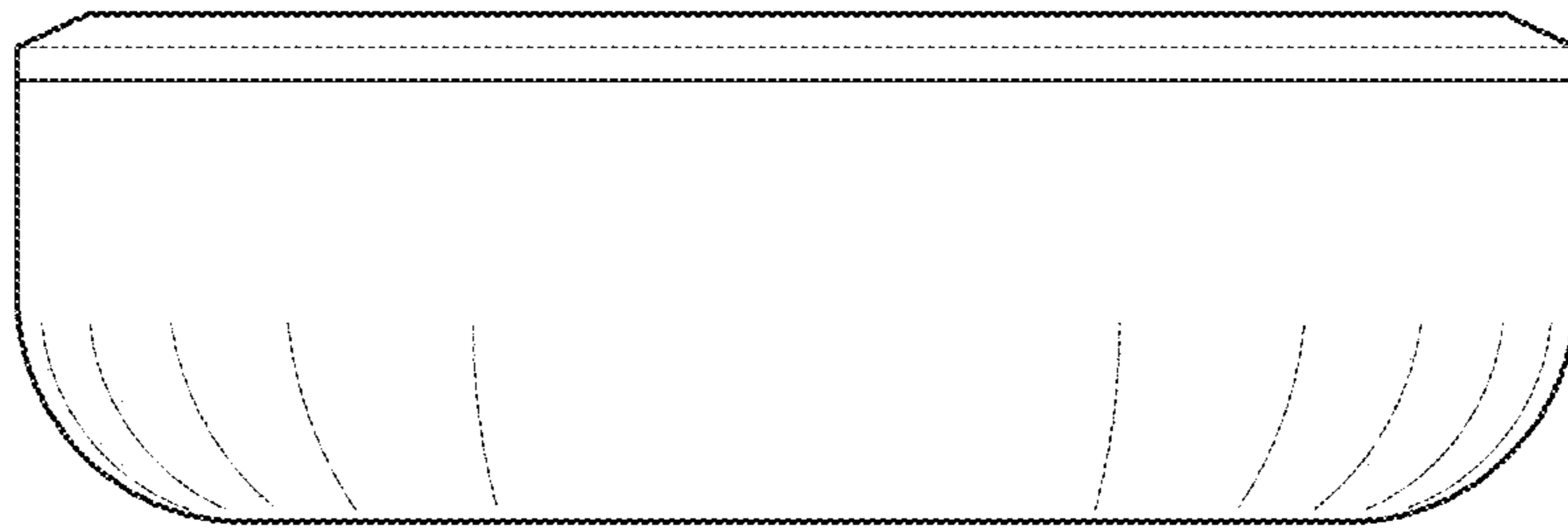


FIG. 5

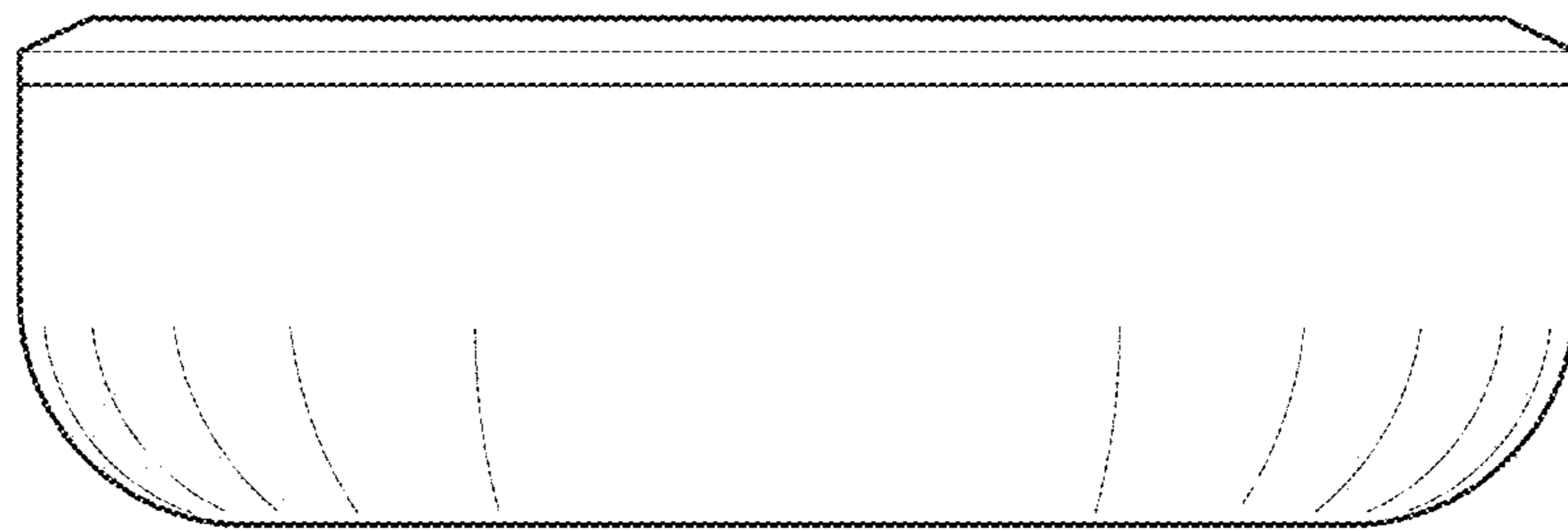


FIG. 6

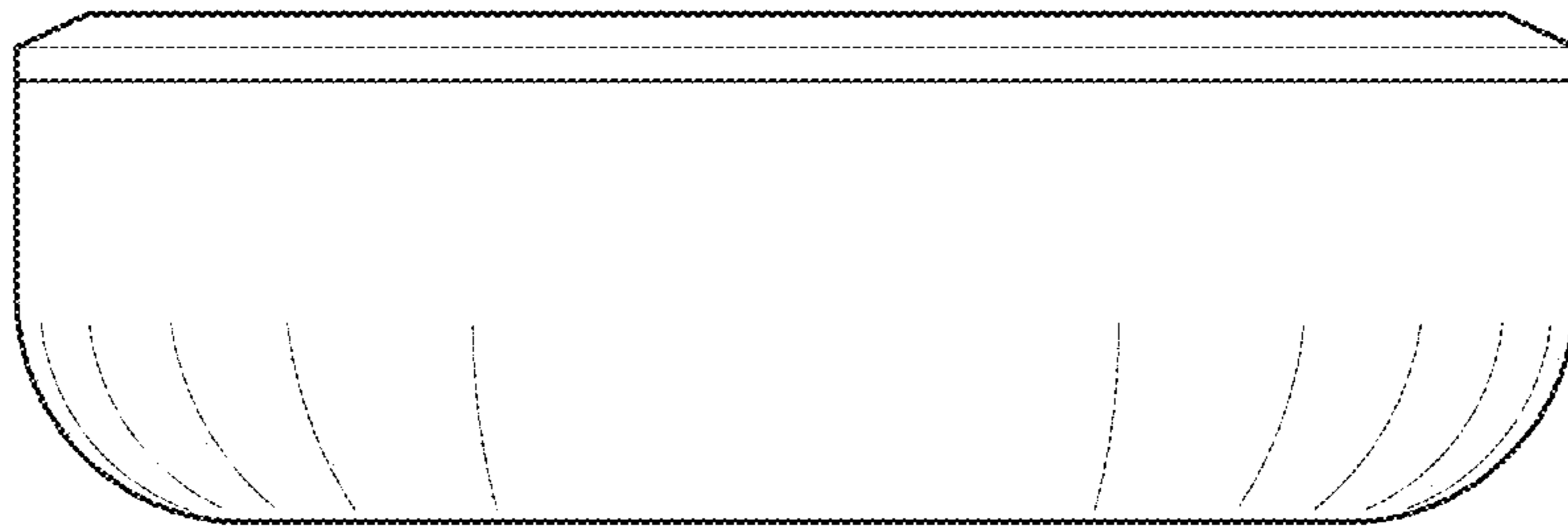


FIG. 7

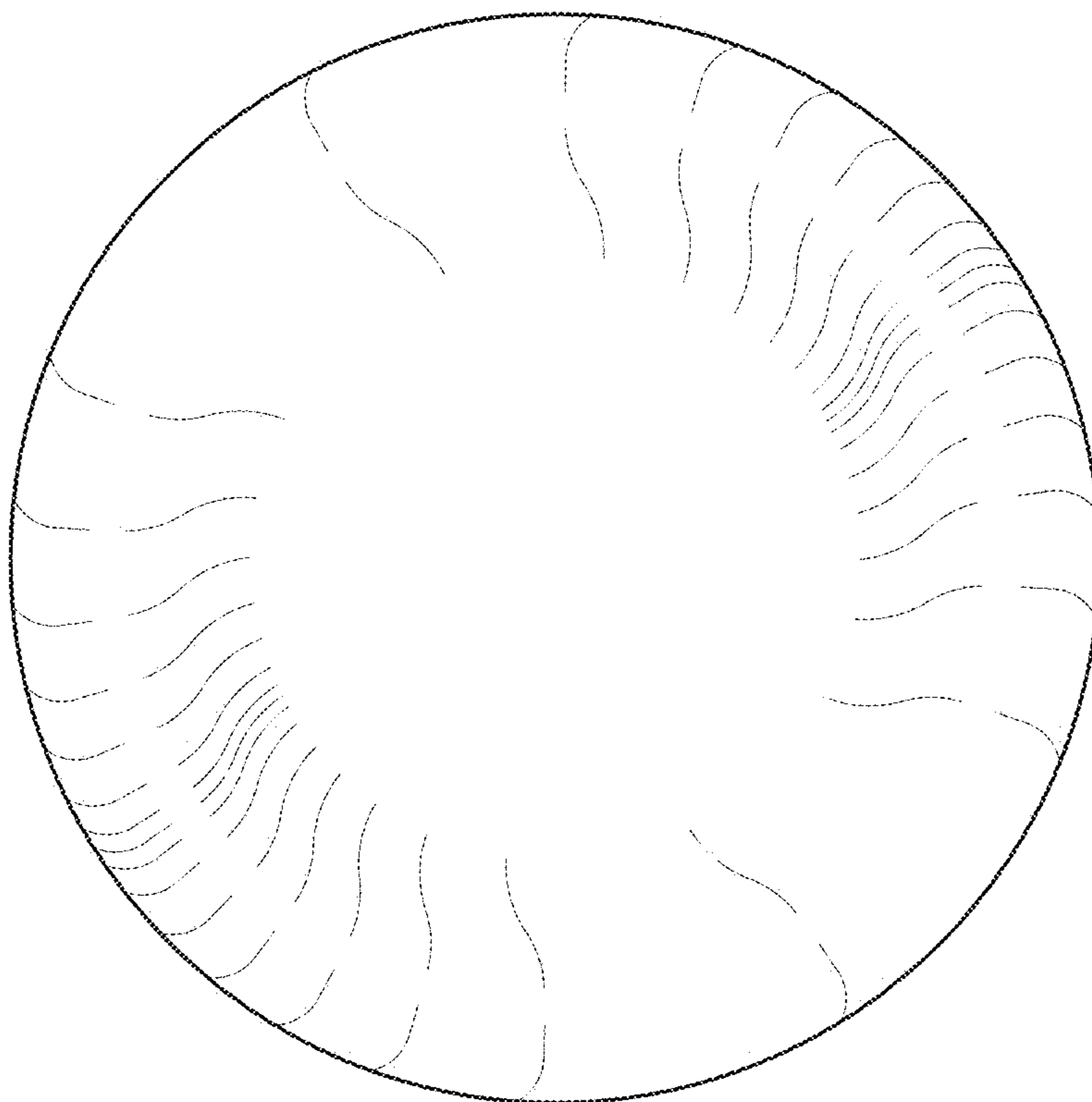


FIG. 8