

US00D899568S

(12) **United States Design Patent**  
**Ball et al.**

(10) **Patent No.:** **US D899,568 S**

(45) **Date of Patent:** **\*\* Oct. 20, 2020**

(54) **STRAINER**

(71) Applicant: **WCM Industries, Inc.**, Colorado Springs, CO (US)

(72) Inventors: **William T. Ball**, Colorado Springs, CO (US); **Eric Pilarczyk**, Colorado Springs, CO (US)

(73) Assignee: **WCM INDUSTRIES, INC.**, Colorado Springs, CO (US)

(\*\*) Term: **15 Years**

(21) Appl. No.: **29/733,657**

(22) Filed: **May 5, 2020**

**Related U.S. Application Data**

(63) Continuation of application No. 29/637,068, filed on Feb. 13, 2018, now Pat. No. Des. 884,838.

(51) **LOC (12) Cl.** ..... **23-01**

(52) **U.S. Cl.**

USPC ..... **D23/261**; D23/259

(58) **Field of Classification Search**

USPC ..... D23/249, 259–261, 230, 233–234, D23/236–237, 207–209, 388, 303, 397; 137/15.23, 533.15, 533.11; 251/314, 315, 251/357, 359–362; 4/255.01–255.12, 4/286–289, 290–295, 300.3, 653, 613, 4/688–690, 507, 510, 650, 652, 251.2; 52/12, 16, 11, 169.5, 20, 302.1, 302.7, 52/311.3; 210/162–164; D25/152–153, D25/155–157

CPC ..... E04D 2013/0413; E04D 2013/083; A47K 1/14; E03C 1/22; E03C 1/2302

See application file for complete search history.

(56) **References Cited**

**U.S. PATENT DOCUMENTS**

287,246 A 10/1883 Coomber  
765,131 A 7/1904 Croswell

843,968 A 2/1907 Sharp  
917,395 A 4/1909 Wise  
928,032 A 7/1909 Dawes et al.  
944,046 A 12/1909 Perkins

(Continued)

**FOREIGN PATENT DOCUMENTS**

WO 02/063109 8/2002  
WO 2006074504 7/2006

**OTHER PUBLICATIONS**

Notice of Allowance for U.S. Appl. No. 14/208,970, dated Dec. 27, 2016, 8 pages.

(Continued)

*Primary Examiner* — Amy C Wierenga

(57) **CLAIM**

The ornamental design for a strainer, as shown and described.

**DESCRIPTION**

FIG. 1 is a top perspective view of a first embodiment of a strainer.

FIG. 2 is a bottom perspective view of the strainer of FIG. 1.

FIG. 3 is a side elevation view of the strainer of FIG. 1.

FIG. 4 is a top plan view of the strainer of FIG. 1.

FIG. 5 is a bottom plan view of the strainer of FIG. 1.

FIG. 6 is a top perspective view of a second embodiment of a strainer.

FIG. 7 is a bottom perspective view of the strainer of FIG. 6.

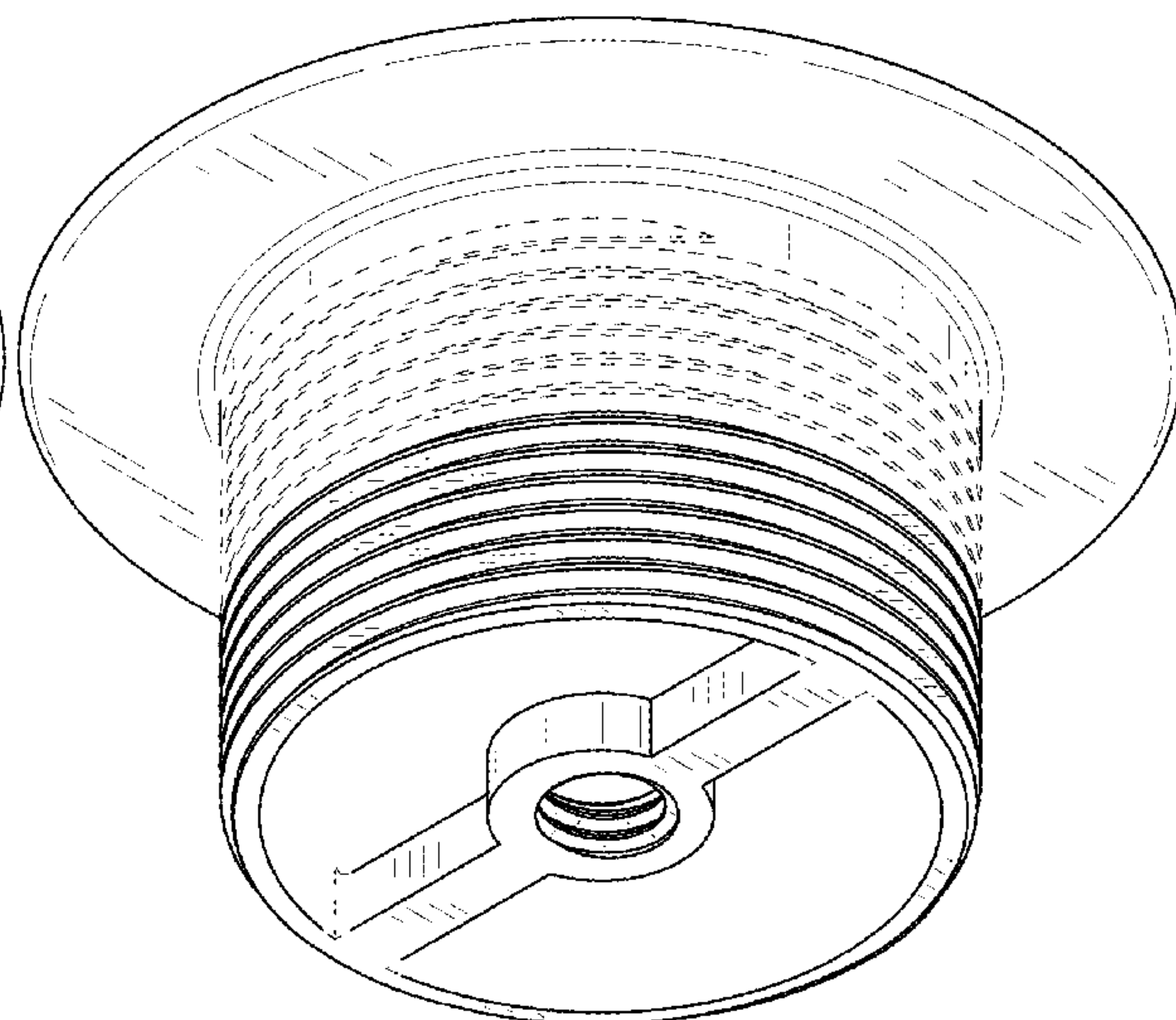
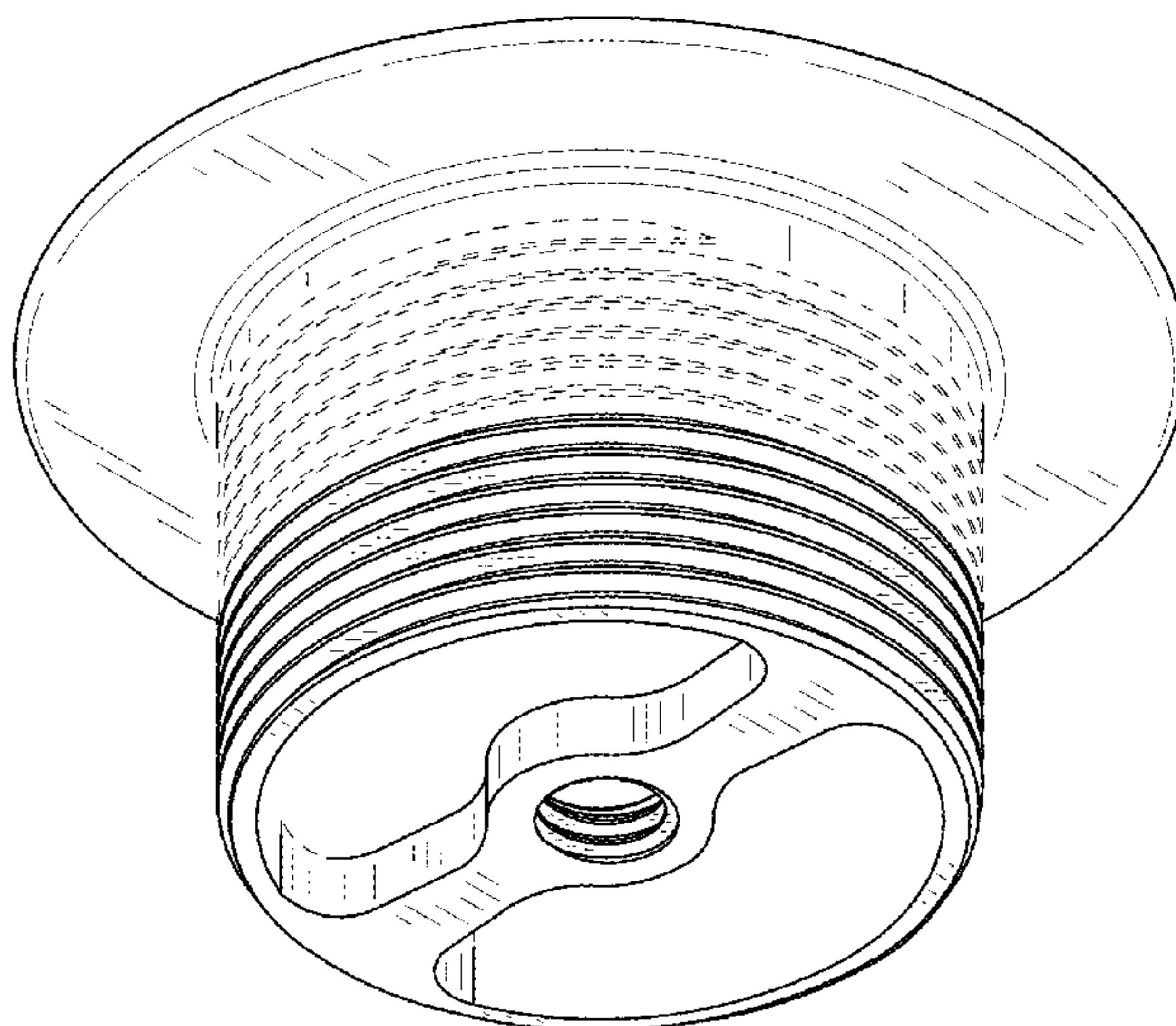
FIG. 8 is a side elevation view of the strainer of FIG. 6.

FIG. 9 is a top plan view of the strainer of FIG. 6; and,

FIG. 10 is a bottom plan view of the strainer of FIG. 6.

The broken lines depict the unclaimed portions of the strainer and form no part of the claimed design.

**1 Claim, 10 Drawing Sheets**



(56)

References Cited

U.S. PATENT DOCUMENTS

1,092,579 A 4/1914 Kohler  
 1,330,909 A 2/1920 Sharp  
 1,334,407 A 3/1920 Sharp  
 1,388,327 A 8/1921 Cornelius  
 1,511,017 A 10/1924 Binder  
 2,695,678 A 11/1954 Sisk  
 2,859,453 A 11/1958 Leon  
 3,380,081 A 4/1968 Eilertson  
 3,393,409 A 7/1968 Politz  
 3,771,177 A \* 11/1973 Rogers ..... A47K 1/14  
 4/287  
 4,138,747 A 2/1979 Zijlstra  
 4,144,599 A 3/1979 Cuschera  
 4,146,939 A \* 4/1979 Izzi ..... E03F 5/0409  
 4/286  
 4,339,832 A \* 7/1982 Cuschera ..... E03C 1/22  
 4/286  
 5,692,248 A 12/1997 Ball  
 5,758,368 A 6/1998 Ball  
 5,832,545 A 11/1998 Pan  
 D402,354 S 12/1998 Strong  
 6,066,119 A 5/2000 Ball  
 6,226,806 B1 \* 5/2001 Ball ..... E03C 1/22  
 4/286  
 6,317,906 B1 \* 11/2001 Ball ..... A47K 1/14  
 4/288  
 6,418,570 B1 7/2002 Ball  
 7,032,254 B1 \* 4/2006 Dong ..... A47K 1/14  
 4/287  
 7,150,576 B1 12/2006 Kambeyanda  
 8,424,123 B2 4/2013 Svensson  
 8,813,272 B2 \* 8/2014 Ball ..... A47K 1/14  
 4/286  
 D717,405 S 11/2014 Coronado  
 9,234,337 B2 1/2016 Ball  
 D762,825 S 8/2016 Walker  
 9,593,473 B2 3/2017 Schulze  
 9,637,897 B2 5/2017 Ball  
 9,657,469 B2 5/2017 Edmonds  
 9,714,504 B2 \* 7/2017 Bird ..... E03C 1/24  
 9,890,523 B2 2/2018 Ball  
 D817,463 S \* 5/2018 Curley ..... D23/260  
 D884,838 S 5/2020 Ball  
 D884,839 S 5/2020 Ball  
 2001/0007159 A1 \* 7/2001 Ball ..... A47K 1/14  
 4/679  
 2006/0064809 A1 3/2006 Isgro  
 2008/0290012 A1 11/2008 Shih  
 2010/0000012 A1 1/2010 Evans  
 2010/0275364 A1 11/2010 Torres et al.  
 2013/0269100 A1 10/2013 Ball  
 2014/0000022 A1 \* 1/2014 McLeod ..... E03C 1/22  
 4/652  
 2014/0053328 A1 2/2014 Chen

2014/0182053 A1 7/2014 Huang  
 2014/0259346 A1 \* 9/2014 Ball ..... E03C 1/264  
 4/292  
 2014/0325748 A1 11/2014 Ball  
 2015/0040312 A1 \* 2/2015 Yang ..... E03C 1/2306  
 4/679  
 2018/0100299 A1 4/2018 Ball  
 2018/0305910 A1 10/2018 Heipp  
 2019/0167043 A1 \* 6/2019 Beck ..... E03C 1/262

OTHER PUBLICATIONS

Official Action for U.S. Appl. No. 14/208,970, dated Aug. 13, 2015, 15 pages.  
 Official Action for U.S. Appl. No. 14/208,970, dated Jan. 14, 2016, 10 pages.  
 Official Action for U.S. Appl. No. 14/208,970, dated May 25, 2016, 11 pages.  
 Official Action for U.S. Appl. No. 14/208,970, dated Sep. 19, 2016, 17 pages.  
 U.S. Appl. No. 15/438,848, Notice of Allowance dated Sep. 20, 2017, 9 pages.  
 U.S. Appl. No. 15/438,848, Office Action dated May 16, 2017, 12 pages.  
 U.S. Appl. No. 15/839,201, Notice of Allowance dated Jun. 20, 2017, 7 pages.  
 U.S. Appl. No. 15/839,201, Office Action dated Oct. 2, 2019, 14 pages.  
 U.S. Appl. No. 15/839,201, Office Action dated Nov. 29, 2018, 16 pages.  
 U.S. Appl. No. 15/839,201, Office Action dated Apr. 19, 2018, 21 pages.  
 U.S. Appl. No. 15/839,201, Office Action dated Apr. 6, 2020, 7 pages.  
 U.S. Appl. No. 15/839,201, Office Action dated Jun. 12, 2019, 18 pages.  
 U.S. Appl. No. 29/637,068, Notice of Allowance dated Jan. 15, 2020, 7 pages.  
 U.S. Appl. No. 29/637,068, Restriction Requirement dated Aug. 8, 2019, 7 pages.  
 U.S. Appl. No. 29/707,160, Notice of Allowance dated Jan. 22, 2020, 9 pages.  
 WATCO Bushing strainer, Part No. 01033CP, Date of first sale May 28, 2002, 1 page.  
 WATCO Lay Drain, Part No. 11432CP, Date of first sale Jan. 10, 2005, 1 page.  
 WATCO NuFit L&T, Part No. 01044CP, Date of first sale Mar. 10, 1998, 1 page.  
 U.S. Appl. No. 29/731,361, Notice of Allowance dated May 28, 2020, 8 pages.

\* cited by examiner



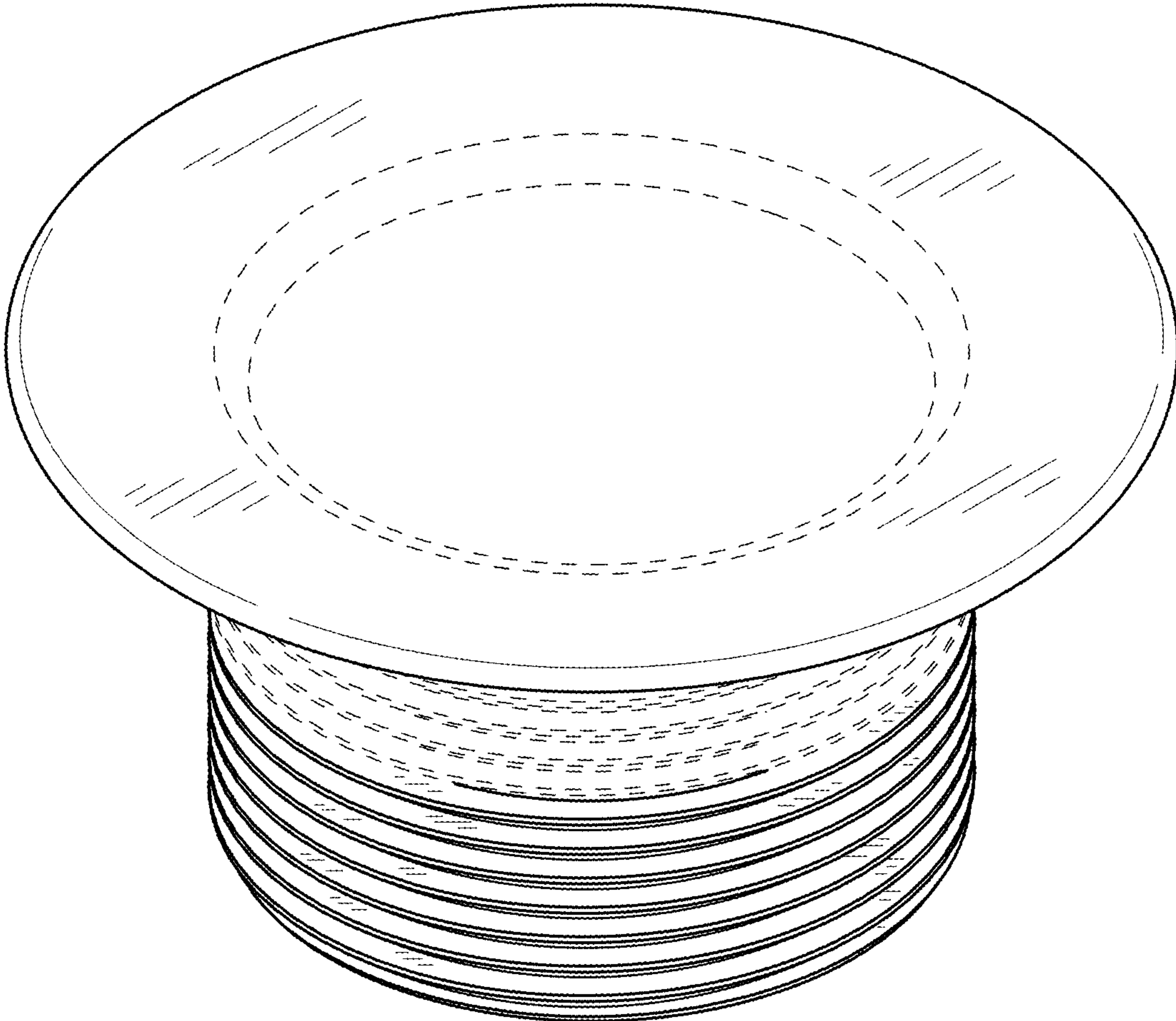


FIG.1

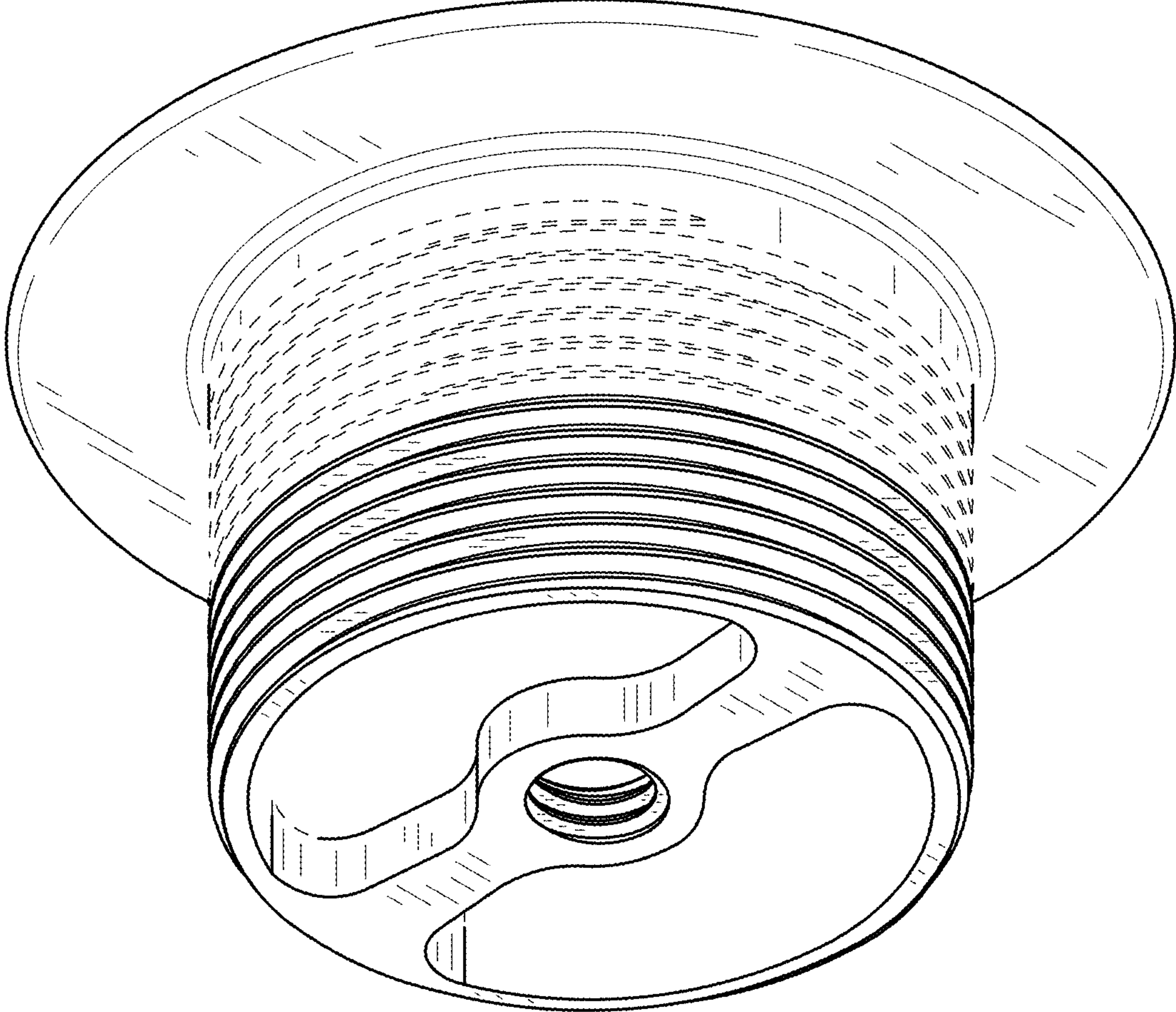


FIG.2

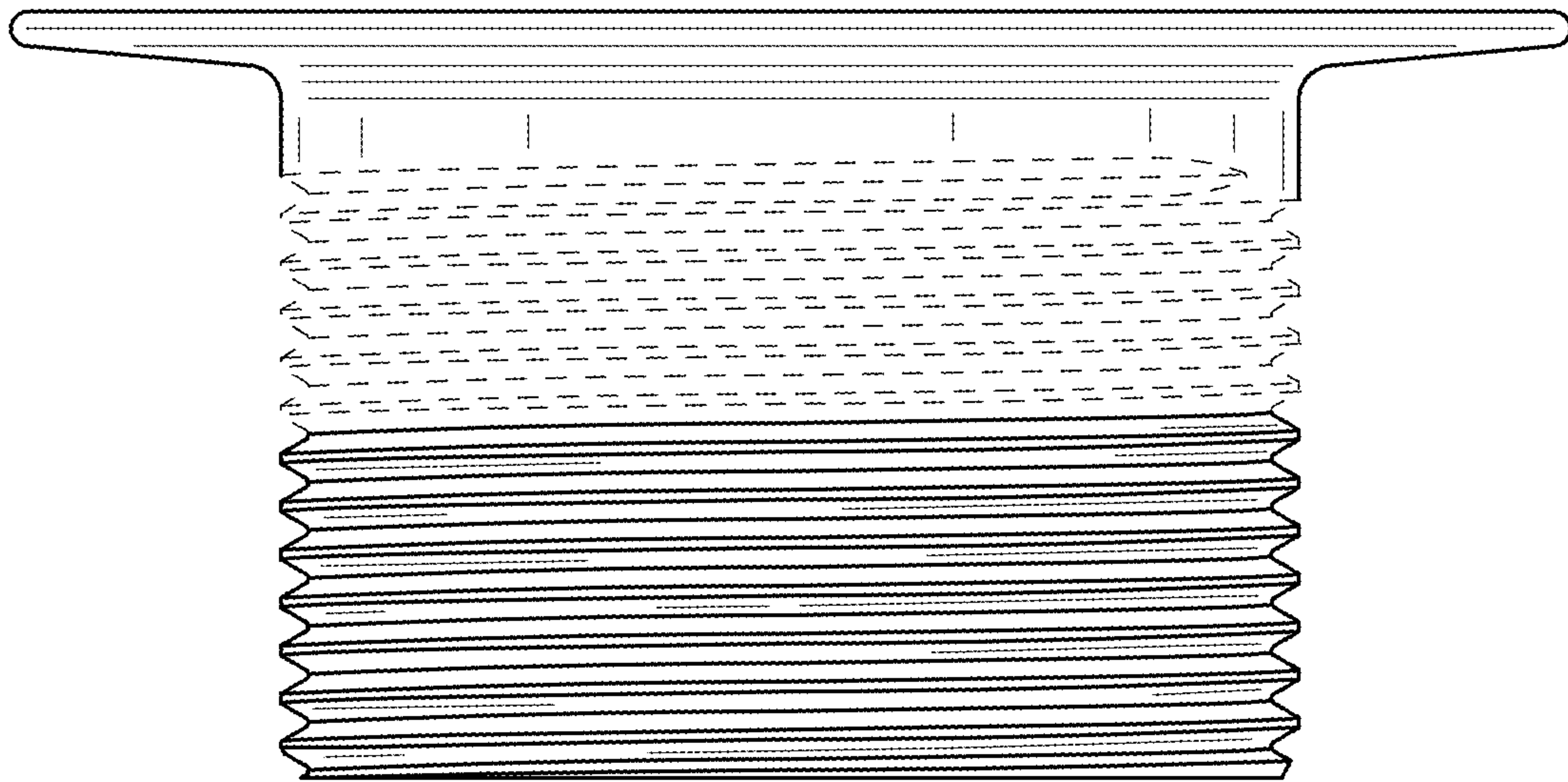


FIG.3

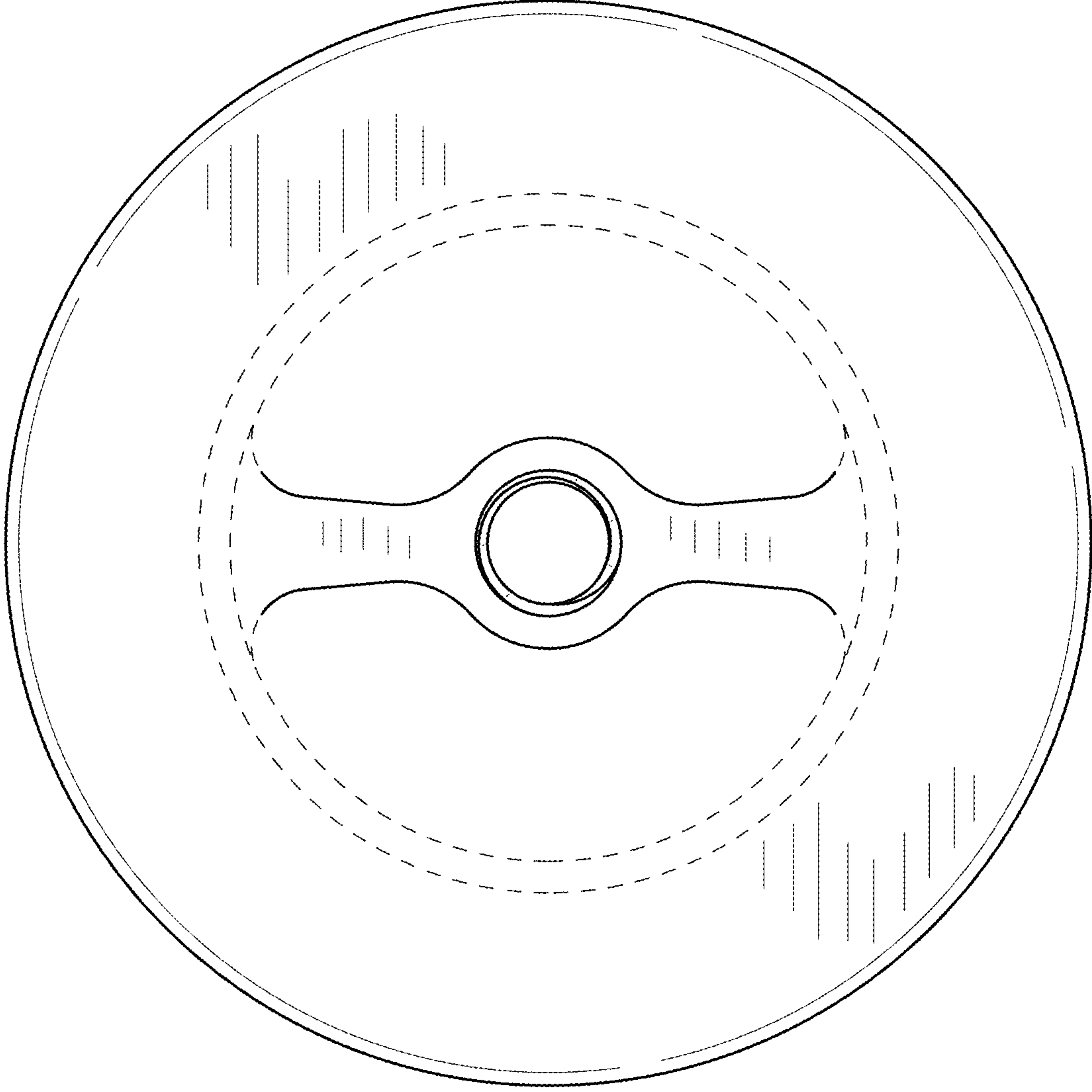


FIG.4

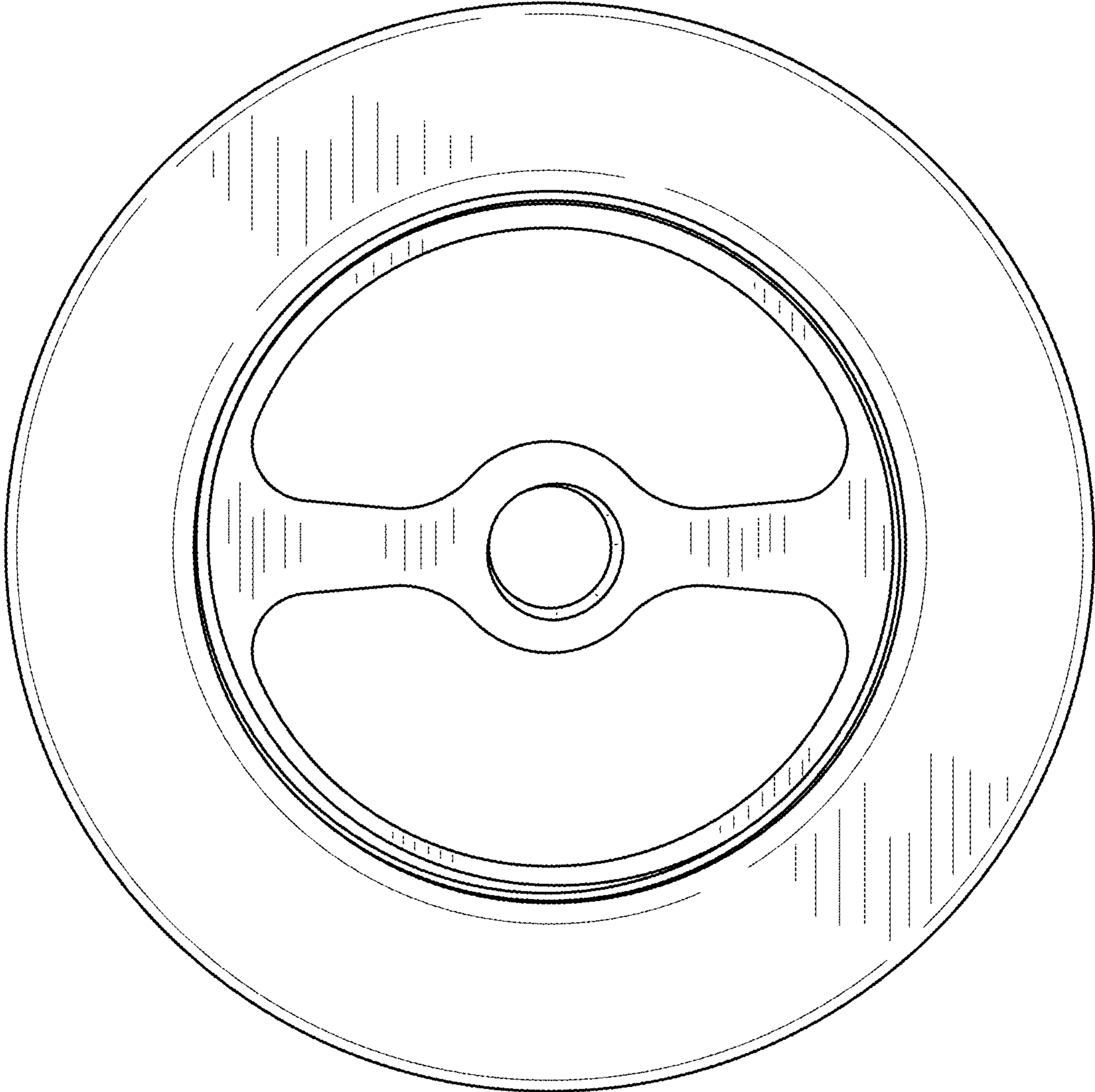


FIG.5



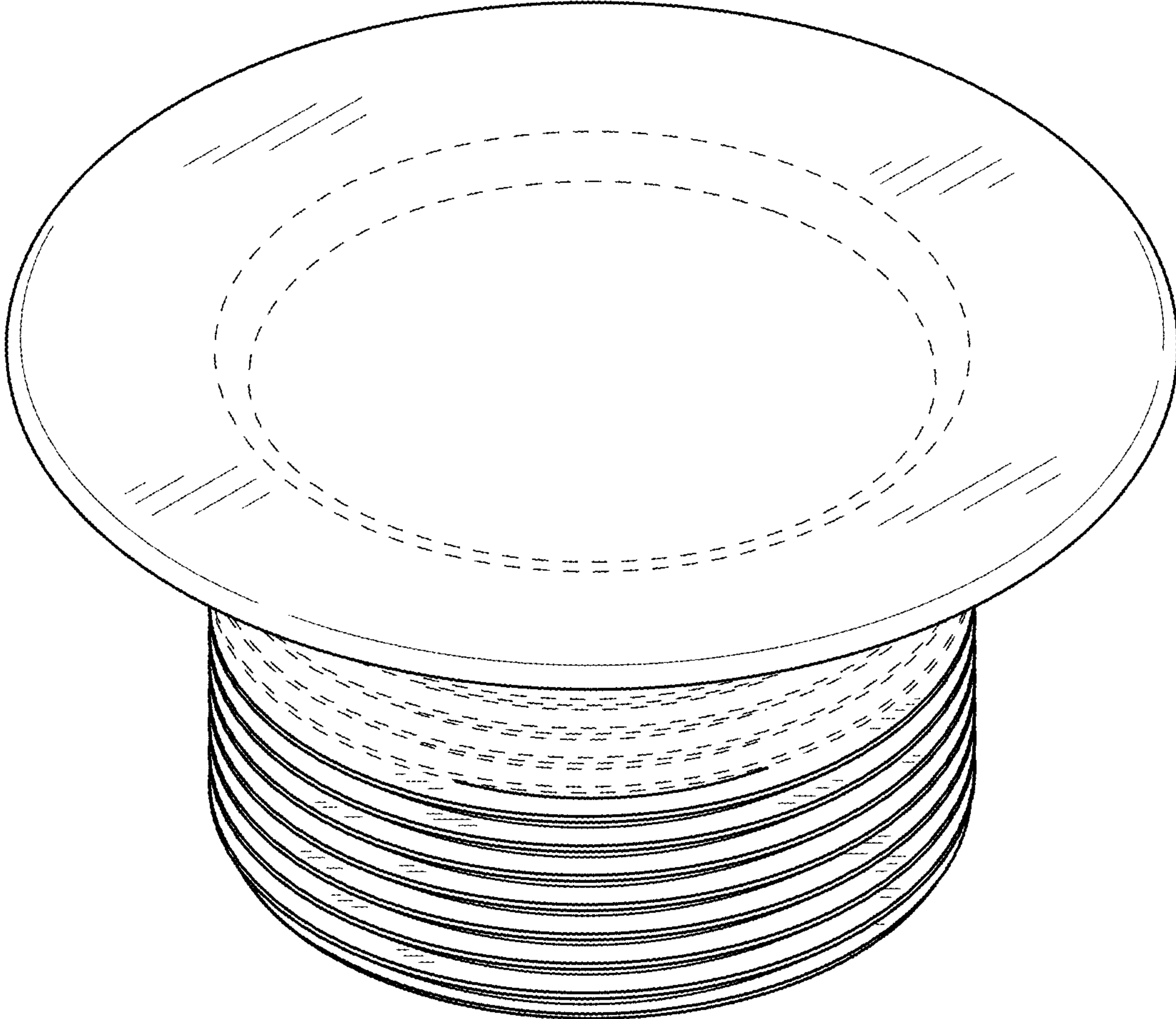


FIG.6



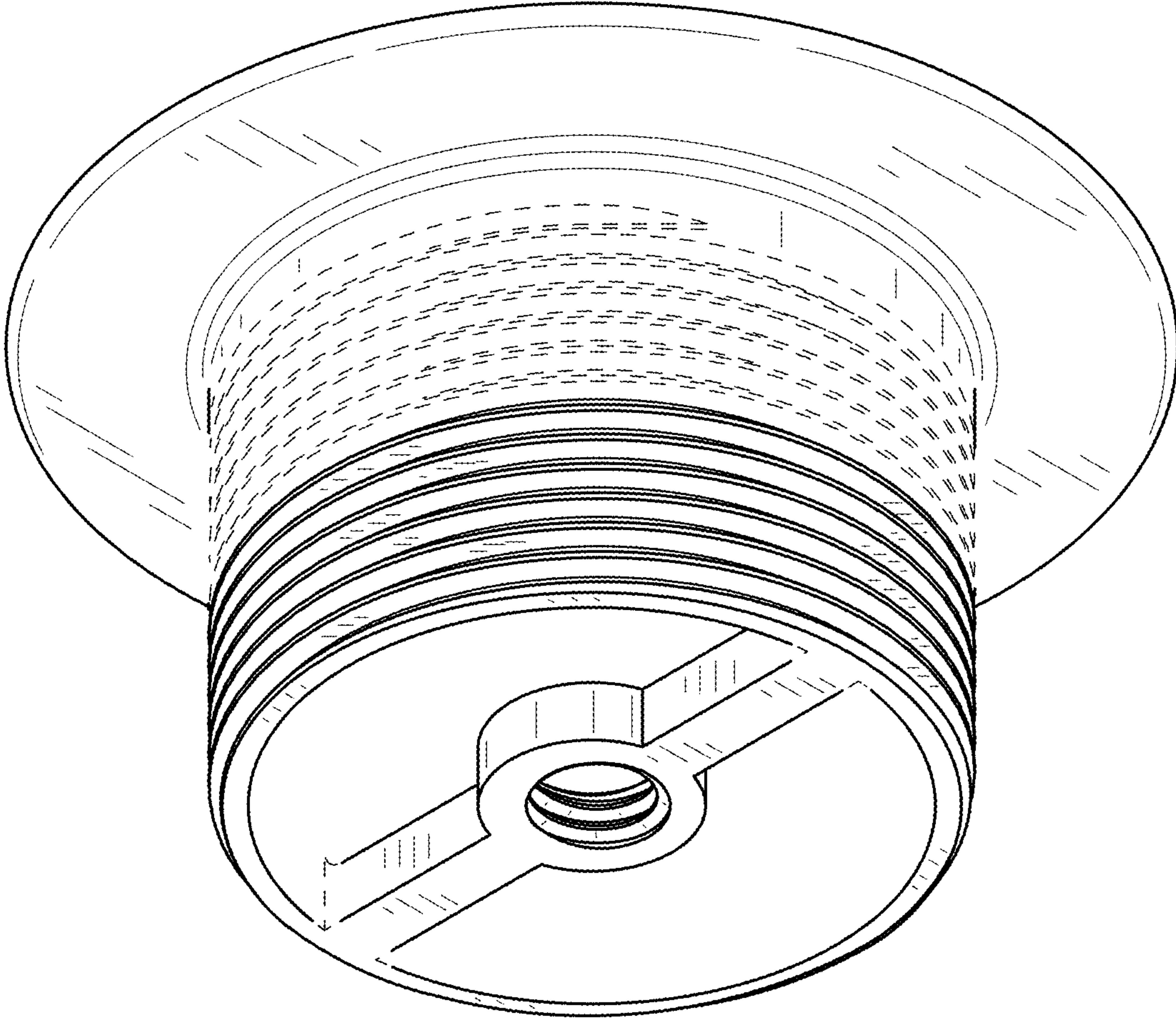


FIG.7

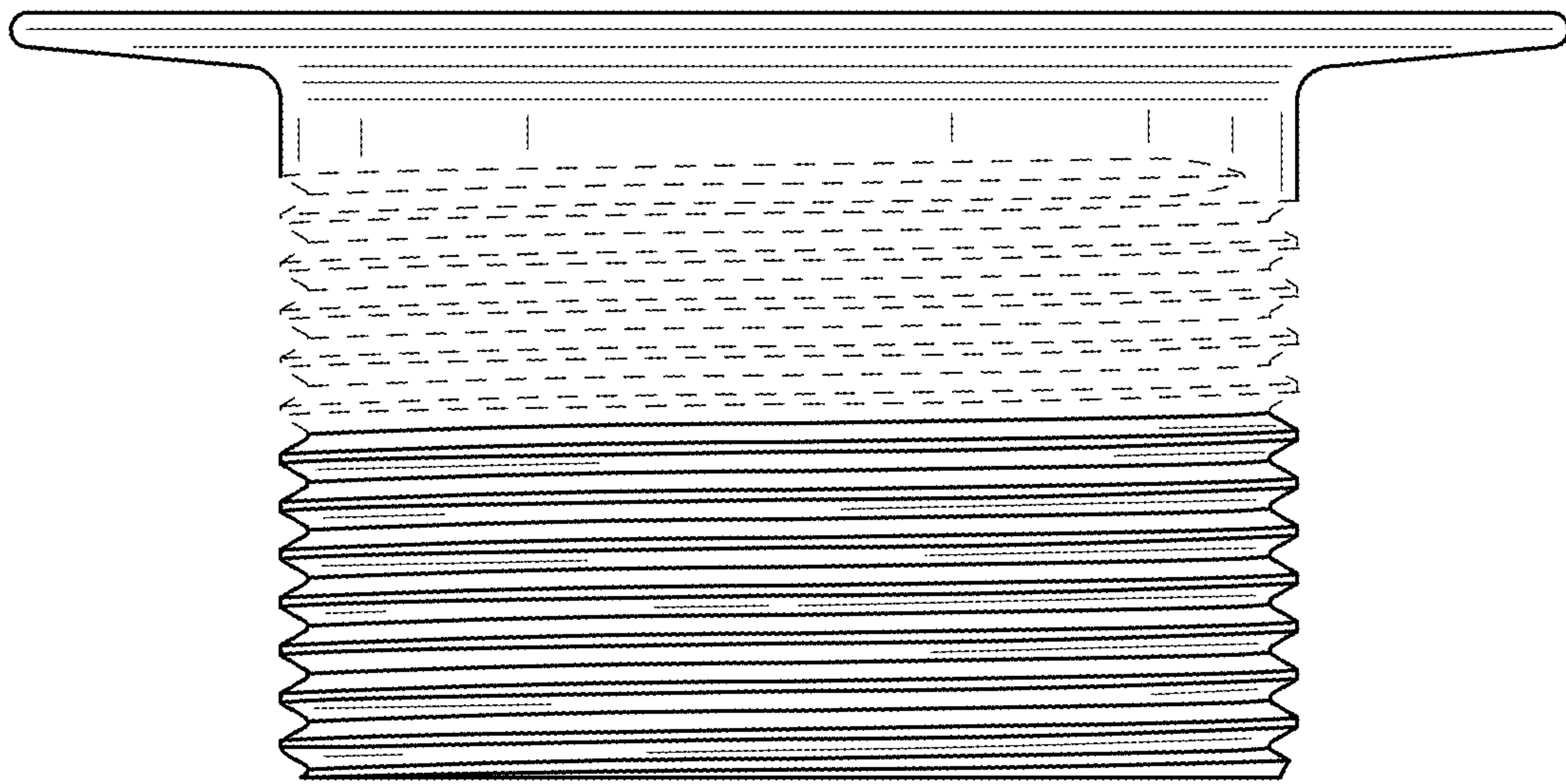


FIG.8

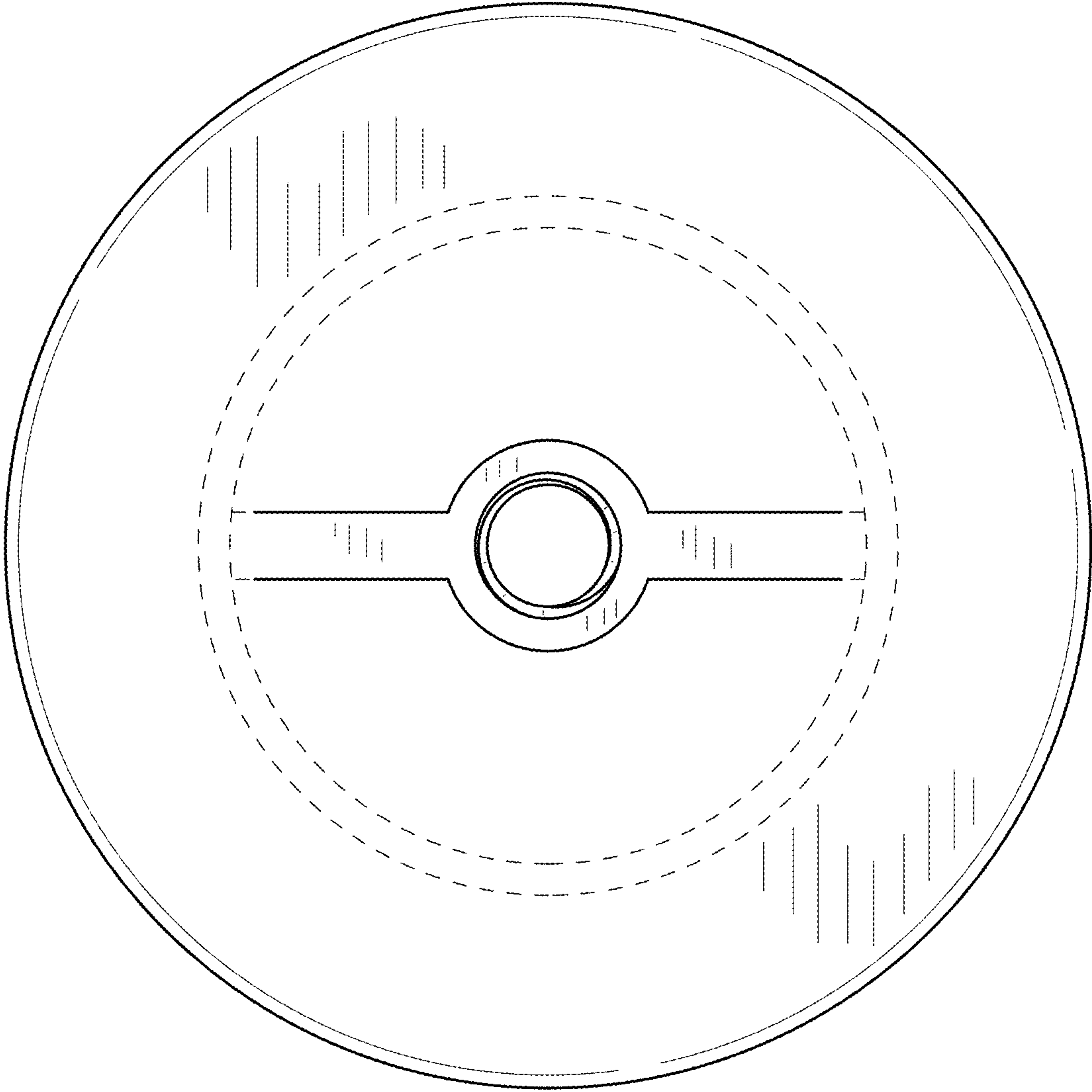


FIG.9

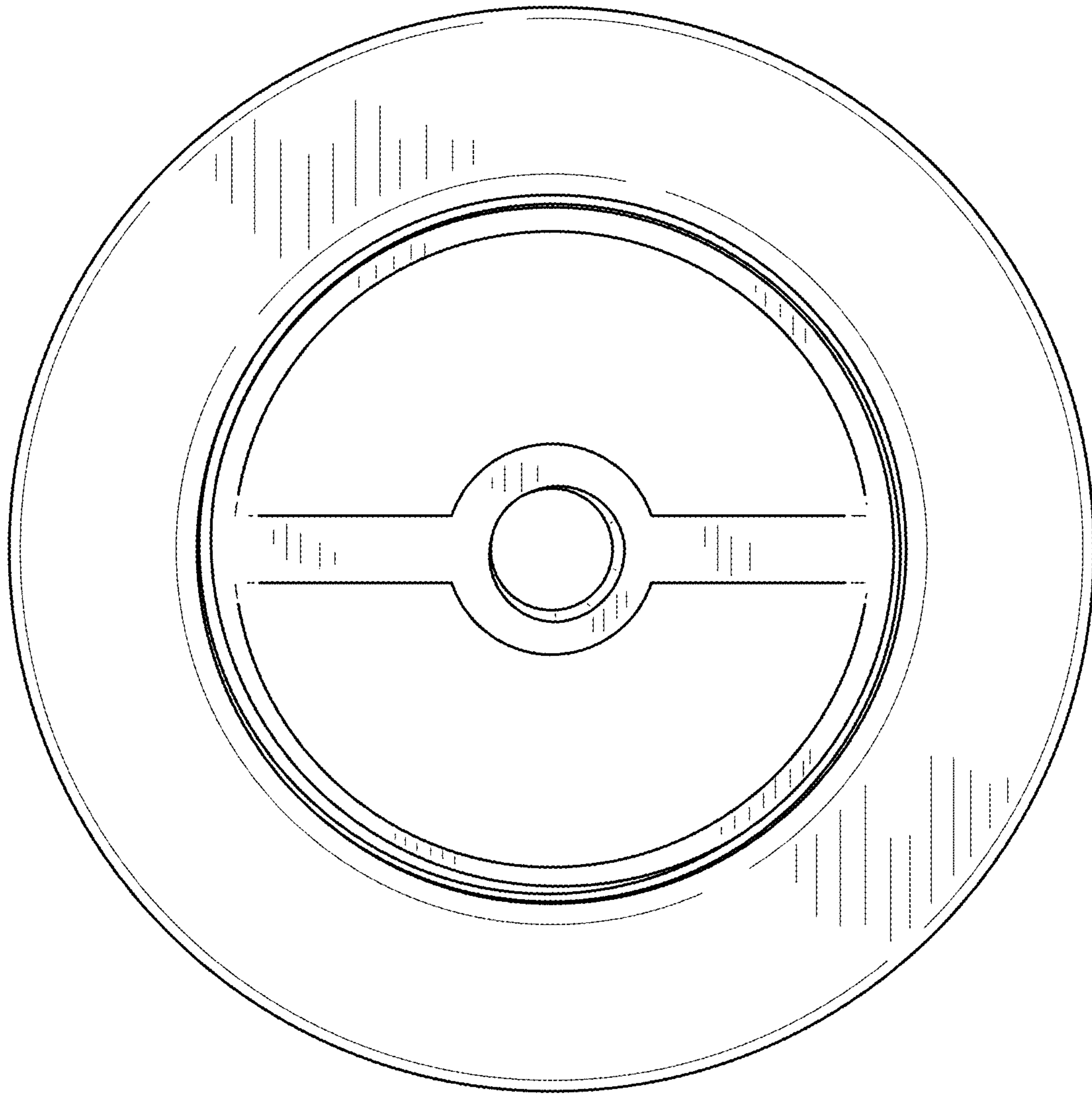


FIG.10