



US00D899567S

(12) **United States Design Patent**
Ball et al.

(10) **Patent No.:** **US D899,567 S**

(45) **Date of Patent:** **** Oct. 20, 2020**

(54) **STRAINER**

(71) Applicant: **WCM Industries, Inc.**, Colorado Springs, CO (US)

(72) Inventors: **William T. Ball**, Colorado Springs, CO (US); **Eric Pilarczyk**, Colorado Springs, CO (US)

(73) Assignee: **WCM INDUSTRIES, INC.**, Colorado Springs, CO (US)

(**) Term: **15 Years**

(21) Appl. No.: **29/731,361**

(22) Filed: **Apr. 14, 2020**

Related U.S. Application Data

(62) Division of application No. 29/637,068, filed on Feb. 13, 2018, now Pat. No. Des. 884,838.

(51) **LOC (12) Cl.** **23-01**

(52) **U.S. Cl.**
USPC **D23/261; D23/259**

(58) **Field of Classification Search**

USPC D23/249, 259-261, 230, 233-234, D23/236-237, 207-209, 388, 303, 397; 137/15.23, 533.15, 533.11; 251/314, 315, 251/357, 359-362; 4/255.01-255.12, 4/286-289, 290-295, 300.3, 653, 613, 4/688-690, 507, 510, 650, 652, 251.2; 52/12, 16, 11, 169.5, 20, 302.1, 302.7, 52/311.3; 210/162-164; D25/152-153, D25/155-157

CPC E04D 2013/0413; E04D 2013/083; A47K 1/14; E03C 1/22; E03C 1/2302

See application file for complete search history.

(56) **References Cited**

U.S. PATENT DOCUMENTS

287,246 A 10/1883 Coomber
765,131 A 7/1904 Crosswell

843,968 A 2/1907 Sharp
917,395 A 4/1909 Wise
928,032 A 7/1909 Dawes et al.
944,046 A 12/1909 Perkins
1,092,579 A 4/1914 Kohler
1,330,909 A 2/1920 Sharp
1,334,407 A 3/1920 Sharp
1,388,327 A 8/1921 Cornelius
1,511,017 A 10/1924 Binder
2,695,678 A 11/1954 Sisk

(Continued)

FOREIGN PATENT DOCUMENTS

WO 02/063109 8/2002
WO 2006074504 7/2006

OTHER PUBLICATIONS

Notice of Allowance for U.S. Appl. No. 14/208,970, dated Dec. 27, 2016, 8 pages.

(Continued)

Primary Examiner — Amy C Wierenga

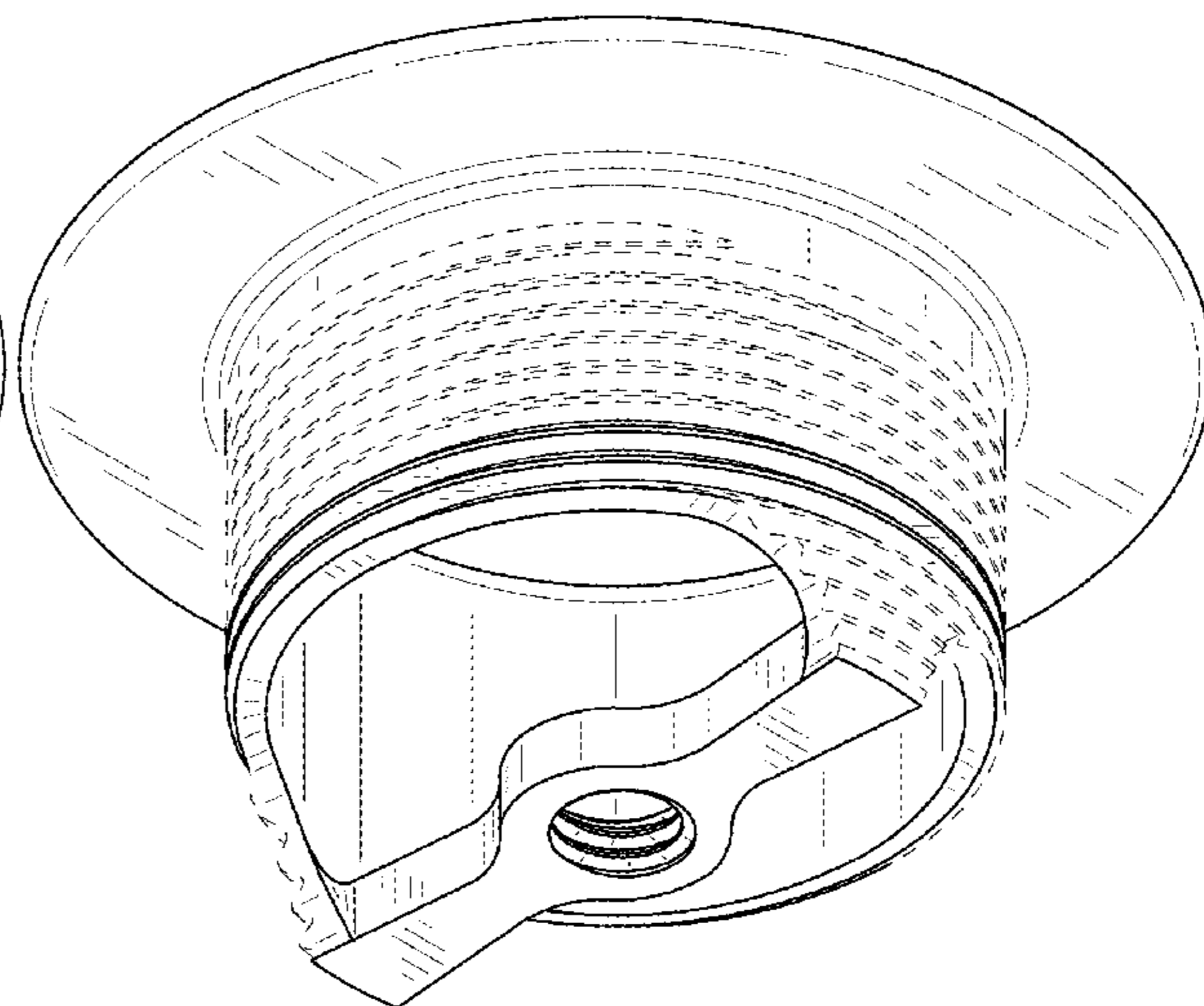
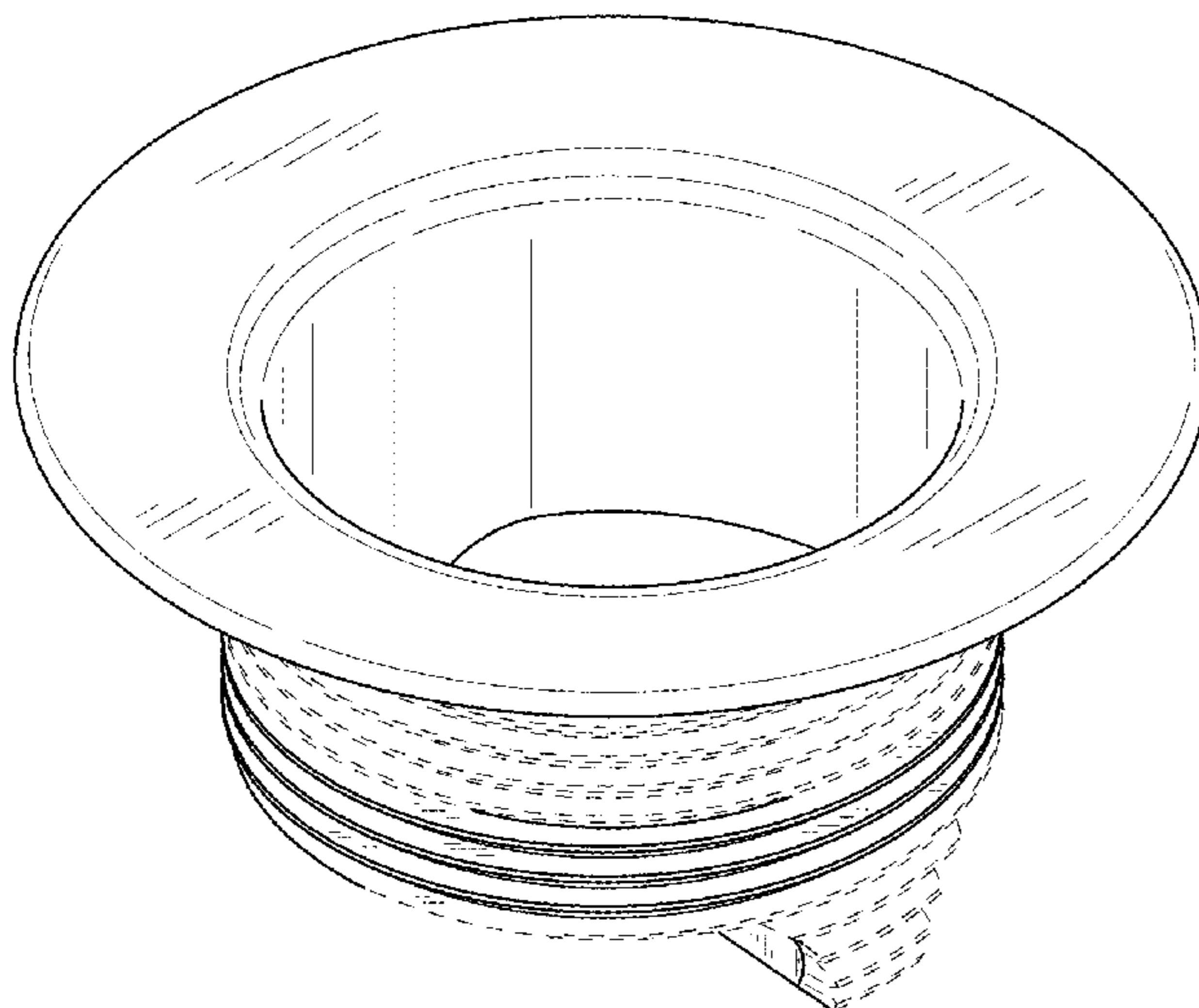
(57) **CLAIM**

The ornamental design for a strainer, as shown and described.

DESCRIPTION

FIG. 1 is a top perspective view of an exemplary strainer. FIG. 2 is a bottom perspective view of the strainer of FIG. 1. FIG. 3 is a side elevation view of the strainer of FIG. 1. FIG. 4 is another side elevation view of the strainer of FIG. 1. FIG. 5 is a top plan view of the strainer of FIG. 1; and, FIG. 6 is a bottom plan view of the strainer of FIG. 1. The broken lines depict the unclaimed portions of the strainer and form no part of the claimed design.

1 Claim, 6 Drawing Sheets



(56)

References Cited

U.S. PATENT DOCUMENTS

2,859,453 A 11/1958 Leon
 3,380,081 A 4/1968 Eilertson
 3,393,409 A 7/1968 Politz
 3,771,177 A * 11/1973 Rogers A47K 1/14
 4/287
 4,138,747 A 2/1979 Zijlstra
 4,144,599 A 3/1979 Cuschera
 4,146,939 A * 4/1979 Izzi E03F 5/0409
 4/286
 4,339,832 A * 7/1982 Cuschera E03C 1/22
 4/286
 5,692,248 A 12/1997 Ball
 5,758,368 A 6/1998 Ball
 5,832,545 A 11/1998 Pan
 D402,354 S 12/1998 Strong
 6,066,119 A 5/2000 Ball
 6,226,806 B1 * 5/2001 Ball E03C 1/22
 4/286
 6,317,906 B1 * 11/2001 Ball A47K 1/14
 4/288
 6,418,570 B1 7/2002 Ball
 7,032,254 B1 * 4/2006 Dong A47K 1/14
 4/287
 7,150,576 B1 12/2006 Kambeyanda
 8,424,123 B2 4/2013 Svensson
 8,813,272 B2 * 8/2014 Ball A47K 1/14
 4/286
 D717,405 S 11/2014 Coronado
 9,234,337 B2 1/2016 Ball
 D762,825 S 8/2016 Walker
 9,593,473 B2 3/2017 Schulze
 9,637,897 B2 5/2017 Ball
 9,657,469 B2 5/2017 Edmonds
 9,714,504 B2 * 7/2017 Bird E03C 1/24
 9,890,523 B2 2/2018 Ball
 D817,463 S * 5/2018 Curley D23/260
 D884,838 S 5/2020 Ball
 D884,839 S 5/2020 Ball
 2001/0007159 A1 * 7/2001 Ball A47K 1/14
 4/679
 2006/0064809 A1 3/2006 Isgro
 2008/0290012 A1 11/2008 Shih
 2010/0000012 A1 1/2010 Evans
 2010/0275364 A1 11/2010 Torres
 2013/0269100 A1 10/2013 Ball
 2014/0000022 A1 * 1/2014 McLeod E03C 1/22
 4/652
 2014/0053328 A1 2/2014 Chen
 2014/0182053 A1 7/2014 Huang

2014/0259346 A1 * 9/2014 Ball E03C 1/264
 4/292
 2014/0325748 A1 11/2014 Ball
 2015/0040312 A1 * 2/2015 Yang E03C 1/2306
 4/679
 2018/0100299 A1 4/2018 Ball
 2018/0305910 A1 10/2018 Heipp
 2019/0167043 A1 * 6/2019 Beck E03C 1/262

OTHER PUBLICATIONS

Official Action for U.S. Appl. No. 14/208,970, dated Aug. 13, 2015, 15 pages.
 Official Action for U.S. Appl. No. 14/208,970, dated Jan. 14, 2016, 10 pages.
 Official Action for U.S. Appl. No. 14/208,970, dated May 25, 2016, 11 pages.
 Official Action for U.S. Appl. No. 14/208,970, dated Sep. 19, 2016, 17 pages.
 U.S. Appl. No. 15/438,848, Notice of Allowance dated Sep. 20, 2017, 9 pages.
 U.S. Appl. No. 15/438,848, Office Action dated May 16, 2017, 12 pages.
 U.S. Appl. No. 15/839,201, Notice of Allowance dated Jun. 18, 2020, 7 pages .
 U.S. Appl. No. 15/839,201, Office Action dated Oct. 2, 2019, 14 pages.
 U.S. Appl. No. 15/839,201, Office Action dated Nov. 29, 2018, 16 pages.
 U.S. Appl. No. 15/839,201, Office Action dated Apr. 19, 2018, 21 pages.
 U.S. Appl. No. 15/839,201, Office Action dated Apr. 6, 2020, 7 pages.
 U.S. Appl. No. 15/839,201, Office Action dated Jun. 12, 2019, 18 pages.
 U.S. Appl. No. 29/637,068, Notice of Allowance dated Jan. 15, 2020, 7 pages.
 U.S. Appl. No. 29/637,068, Restriction Requirement dated Aug. 8, 2019, 7 pages.
 U.S. Appl. No. 29/707,160, Notice of Allowance dated Jan. 22, 2020, 9 pages.
 U.S. Appl. No. 29/733,657, Notice of Allowance dated May 29, 2020, 9 pages.
 WATCO Bushing strainer, Part No. 01033CP, Date of first sale May 28, 2002, 1 page.
 WATCO Lay Drain, Part No. 11432CP, Date of first sale Jan. 10, 2005, 1 page.
 WATCO NuFit L&T, Part No. 01044CP, Date of first sale Mar. 10, 1998, 1 page.

* cited by examiner

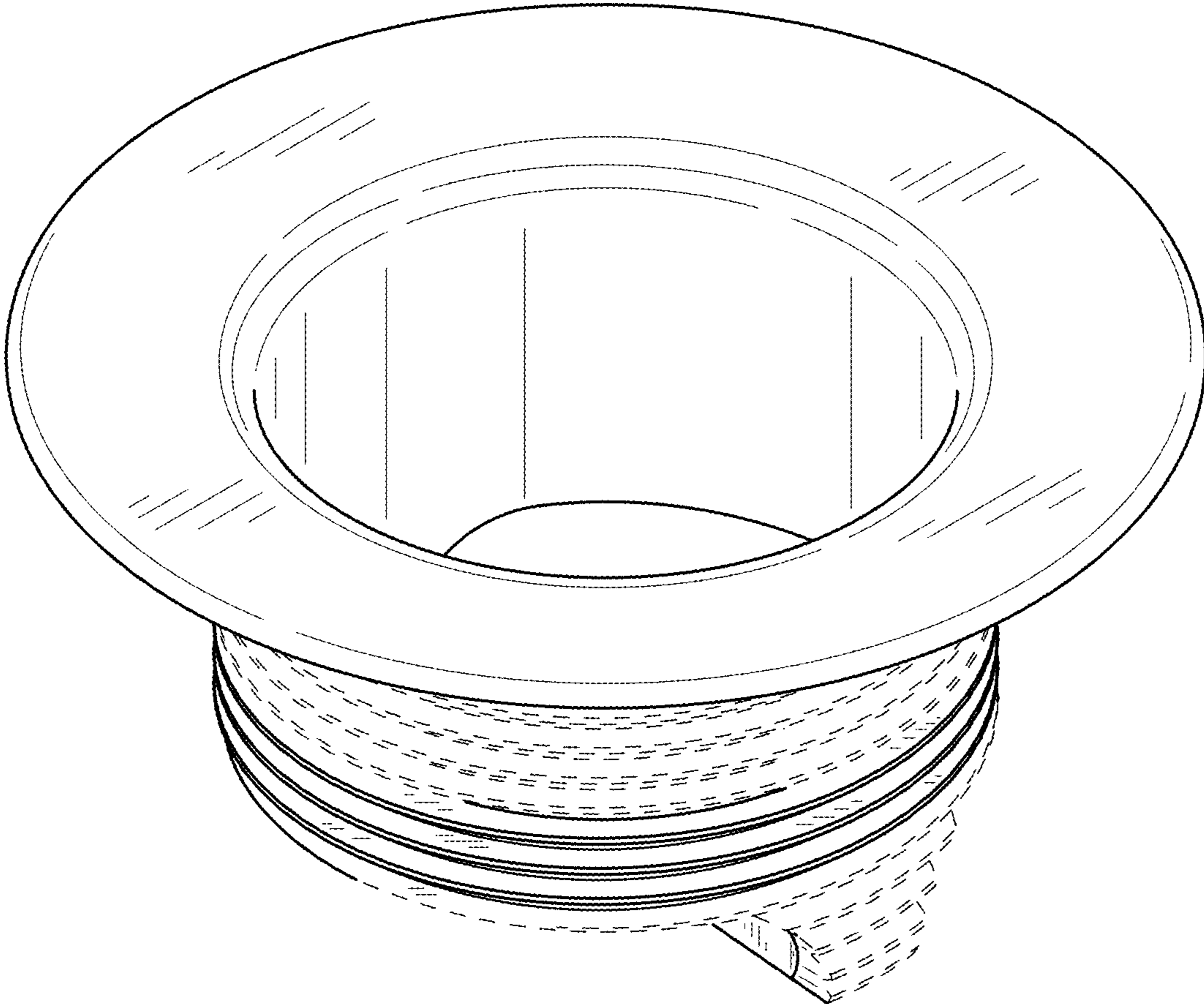


FIG. 1

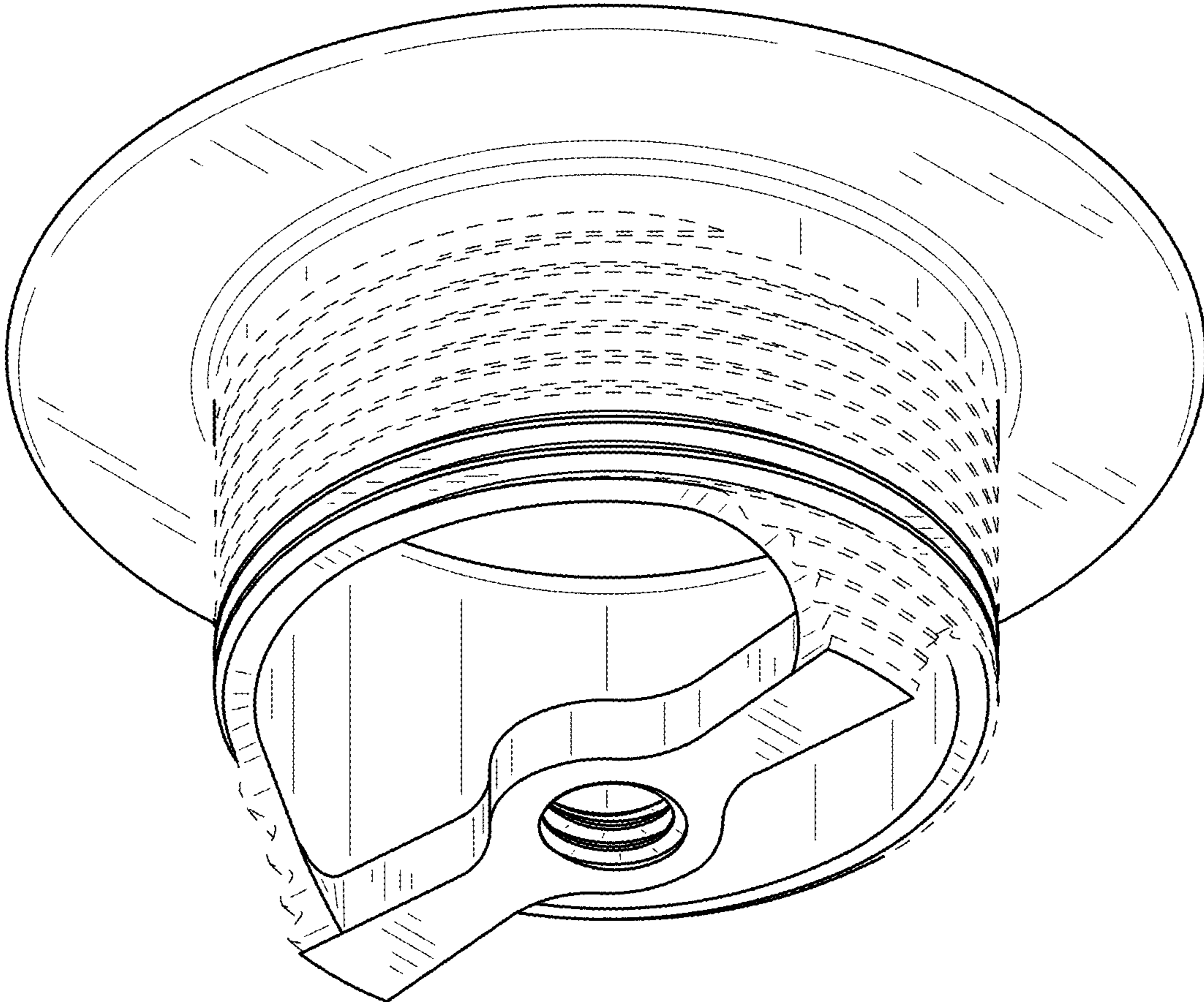


FIG.2

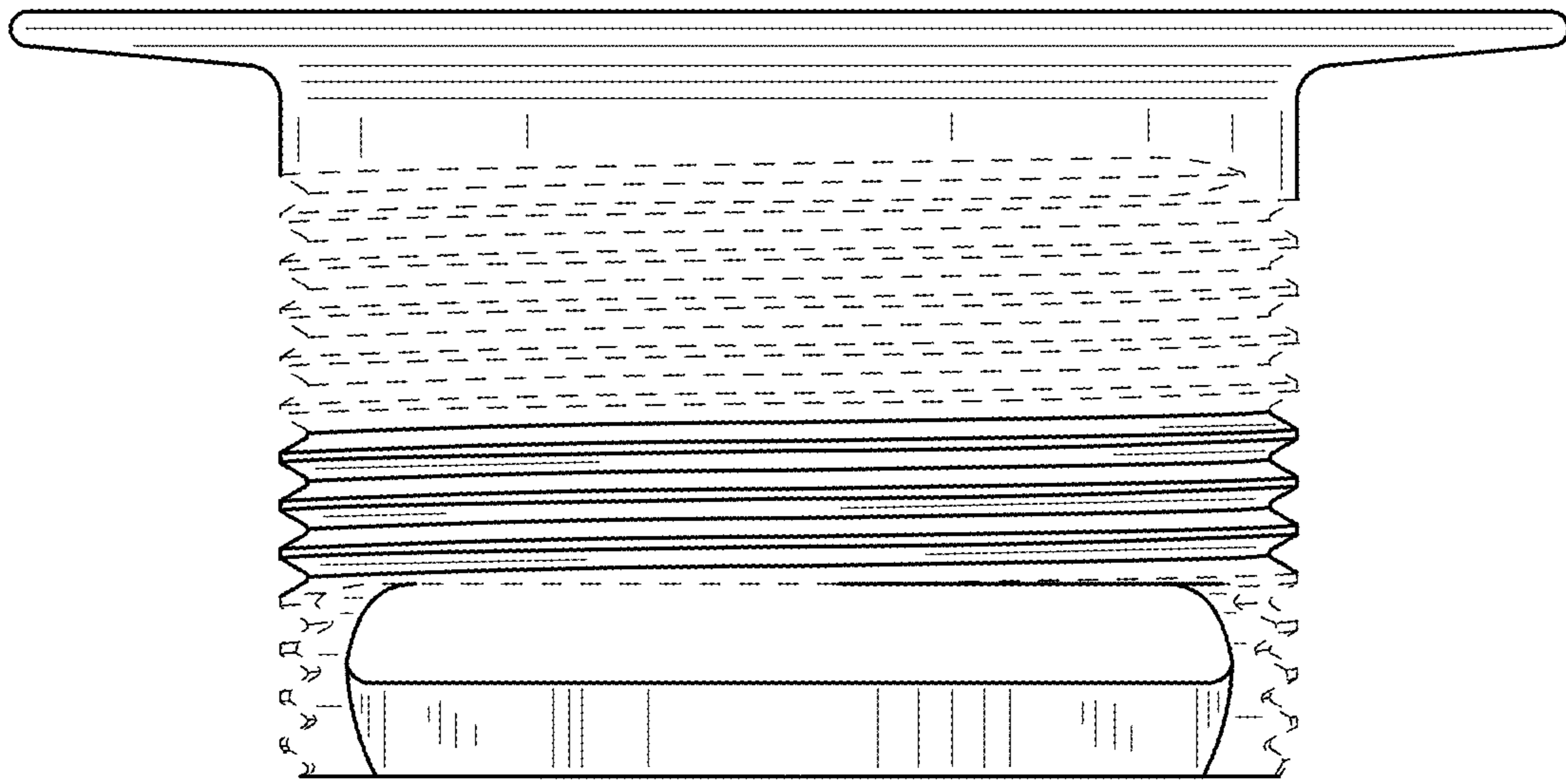


FIG.3

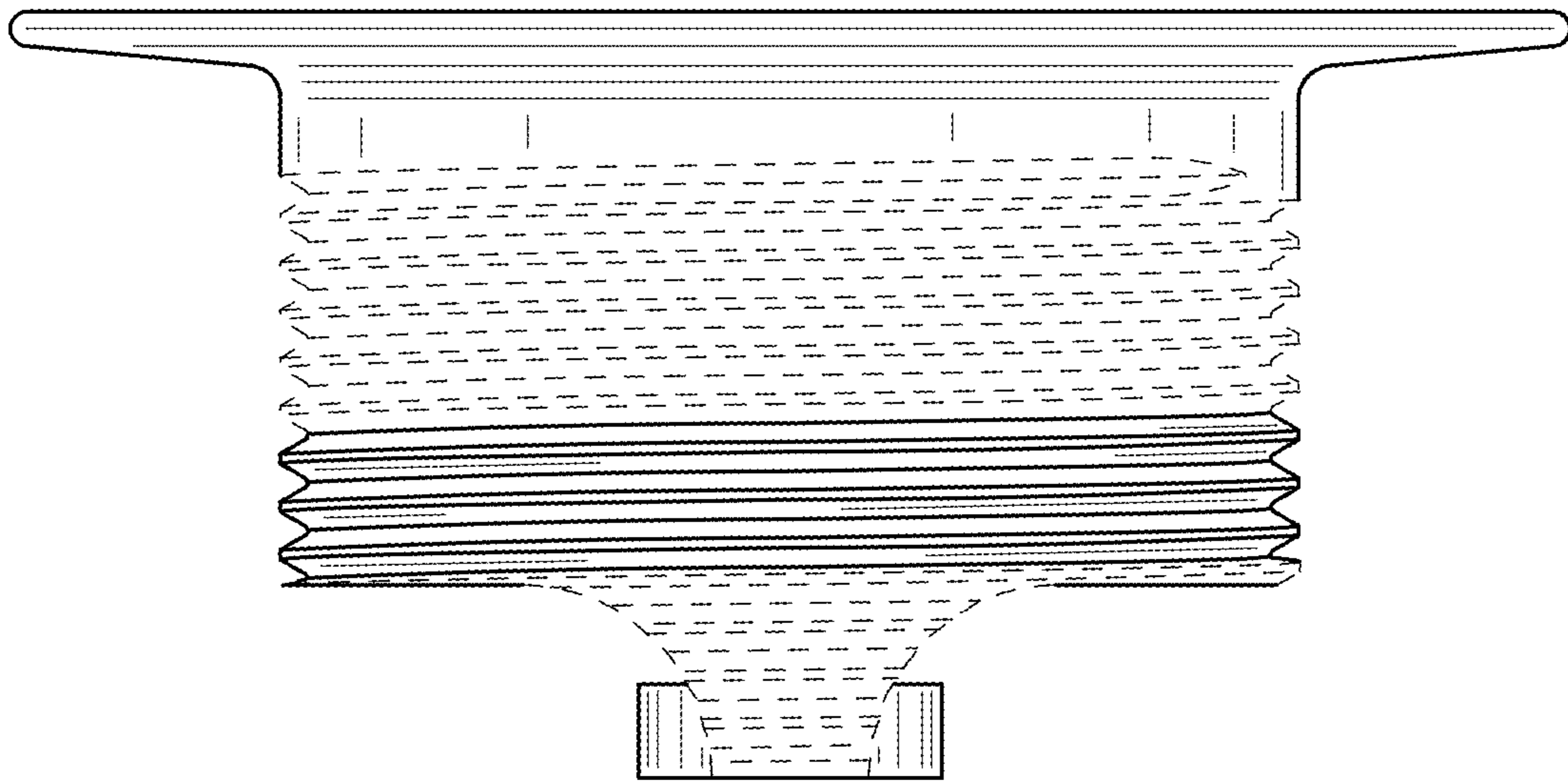


FIG.4

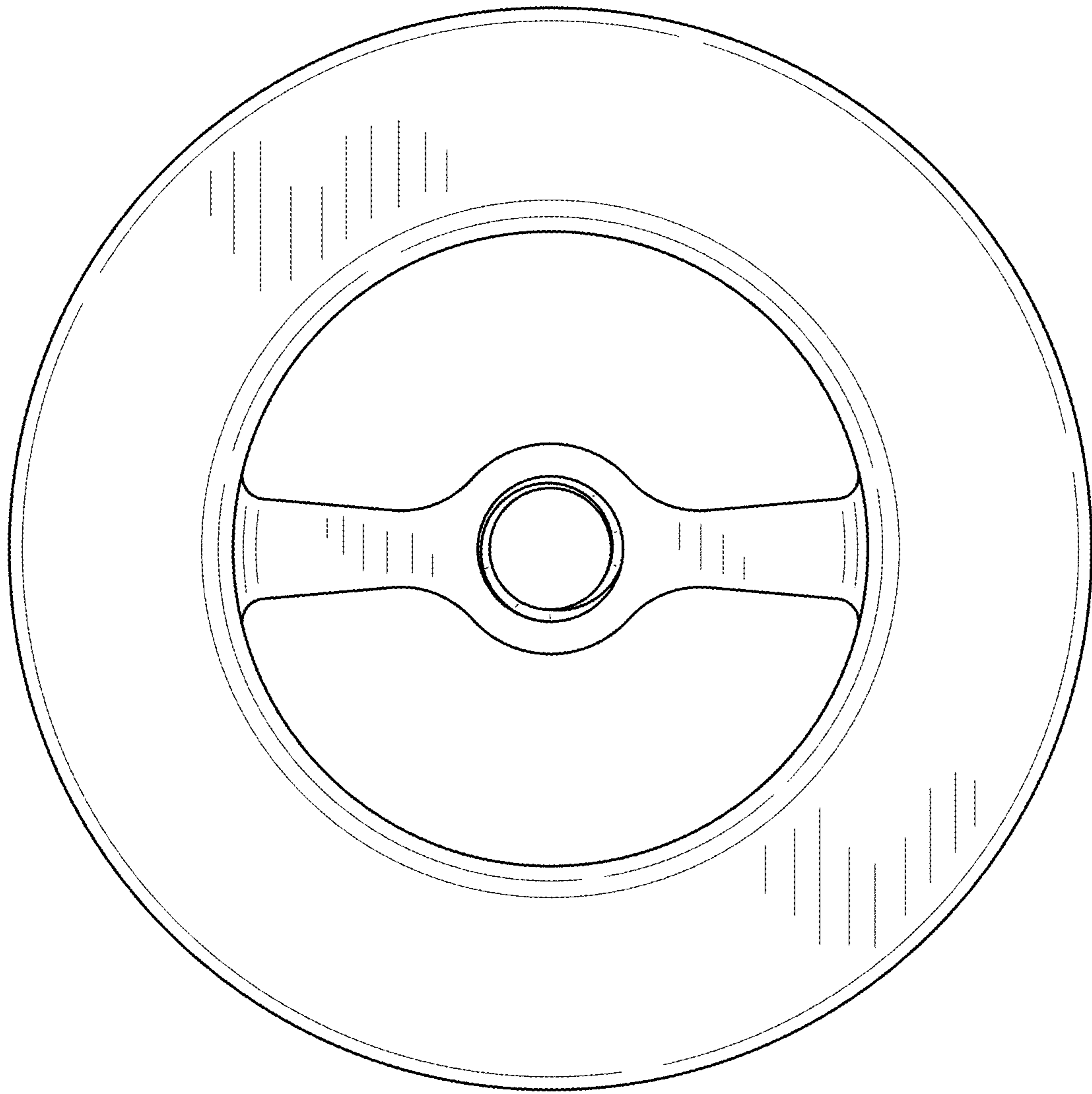


FIG. 5

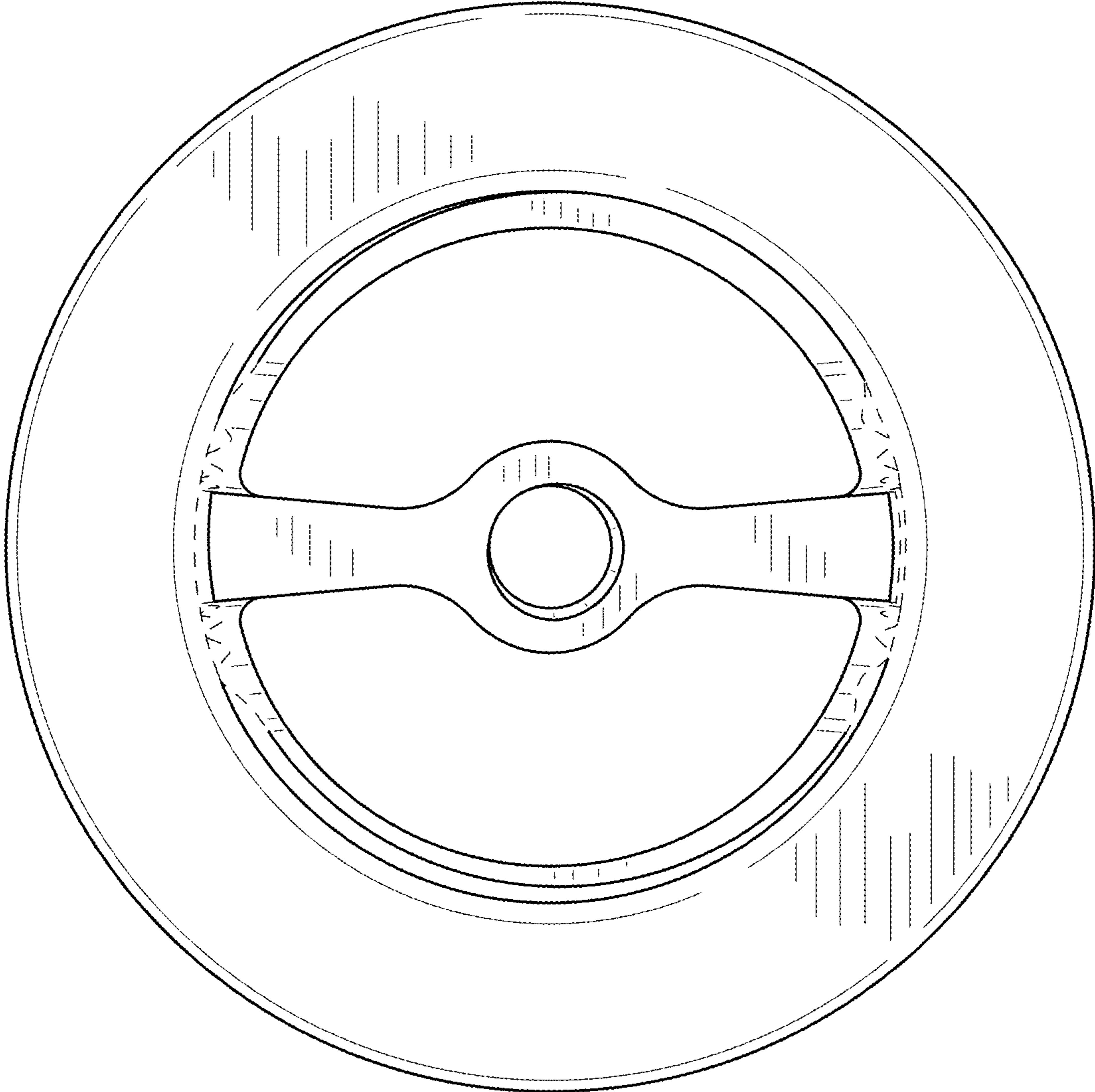


FIG.6