



US00D899566S

(12) **United States Design Patent** (10) **Patent No.:** **US D899,566 S**
Norton et al. (45) **Date of Patent:** **** Oct. 20, 2020**

(54) **BRIDGE PIECE**
(71) Applicant: **Cleveland Reclaim Industries**, Lorain, OH (US)
(72) Inventors: **Tom Norton**, Bay Village, OH (US); **Stephen P. Casteel**, Canal Fulton, OH (US); **Michael W. Jackson**, Wooster, OH (US)

2,166,516 A 7/1939 Bainbridge
2,539,343 A 1/1951 Boose
D205,277 S * 7/1966 Gilchrist D23/269
3,855,752 A * 12/1974 Aylon E04B 2/52
52/605
4,101,100 A 7/1978 Smith et al.
4,370,075 A * 1/1983 Scales E01C 9/004
405/20
D298,464 S * 11/1988 Roote D25/117
D313,102 S * 12/1990 Cano D34/32
(Continued)

(73) Assignee: **Cleveland Reclaim Industries**
(**) Term: **15 Years**
(21) Appl. No.: **29/715,936**
(22) Filed: **Dec. 5, 2019**

FOREIGN PATENT DOCUMENTS

CN 105214267 9/2015
GB 485673 7/1938
(Continued)

Related U.S. Application Data

(60) Division of application No. 29/679,834, filed on Feb. 11, 2019, which is a continuation of application No. 29/544,094, filed on Oct. 30, 2015, now Pat. No. Des. 844,757.
(51) **LOC (12) Cl.** **23-01**
(52) **U.S. Cl.**
USPC **D23/259**; D25/113
(58) **Field of Classification Search**
USPC D23/259, 266; D34/32; D8/354, 396;
D25/113-118, 123, 125; D13/155
CPC A62C 33/06
See application file for complete search history.

Primary Examiner — Amy C Wierenga
(74) *Attorney, Agent, or Firm* — Calfee Halter & Griswold LLP

(57) **CLAIM**

We claim the ornamental design for the bridge piece, as shown and described.

DESCRIPTION

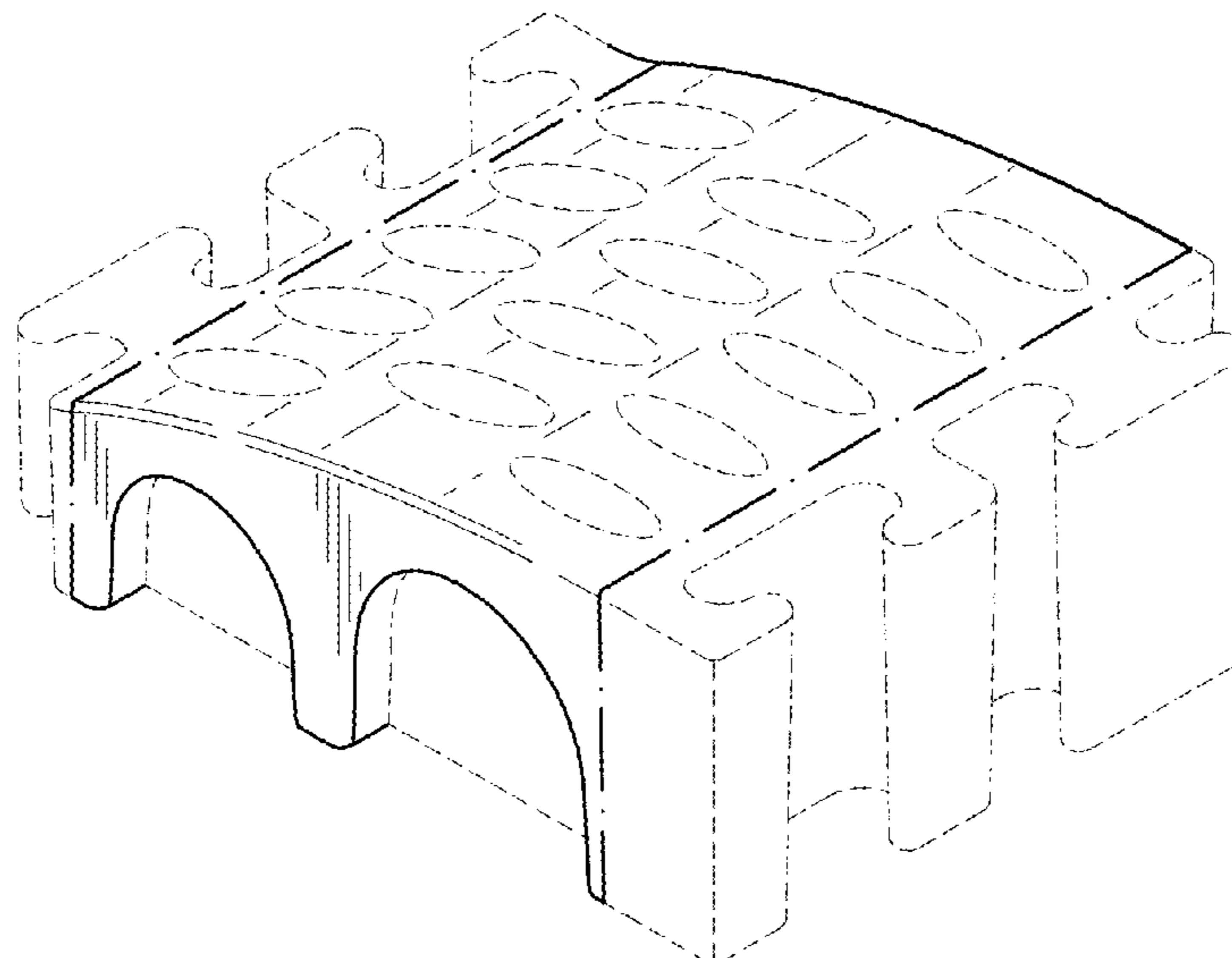
FIG. 1 is a front-right-top perspective view of the bridge piece showing the new design;
FIG. 2 is a front elevational view thereof;
FIG. 3 is a rear elevational view thereof;
FIG. 4 is a left side elevational view thereof;
FIG. 5 is a right side elevational view thereof;
FIG. 6 is a top plan view thereof; and,
FIG. 7 is a bottom plan view thereof.
The dash-dot broken lines represent the bounds of the claimed design, while all other, uniformly broken lines are directed to environment and are for illustrative purposes only. Both the dash-dot and uniformly broken lines form no part of the claimed design.

(56) **References Cited**

U.S. PATENT DOCUMENTS

D72,028 S 12/1867 Haase
D96,559 S 12/1867 Haase
679,570 A * 7/1901 McClurg A62C 33/06
104/275
D982,924 1/1911 Bardon
1,137,313 A * 4/1915 Hamilton A62C 33/06
104/275

1 Claim, 4 Drawing Sheets



(56)

References Cited

U.S. PATENT DOCUMENTS

D370,717 S 6/1996 Ziaylek, Jr. et al.
 5,566,622 A 10/1996 Ziaylek, Jr. et al.
 D415,471 S 10/1999 Henry
 D418,818 S * 1/2000 Henry D13/155
 6,067,681 A 5/2000 Zeinstra
 D437,832 S * 2/2001 Henry D13/155
 6,202,565 B1 * 3/2001 Henry A62C 33/06
 104/275
 6,287,047 B1 9/2001 Dufresne
 D463,041 S * 9/2002 Dice D25/118
 6,878,881 B1 4/2005 Henry
 D552,217 S 10/2007 Norton et al.
 7,309,836 B2 * 12/2007 Lubanski H02G 3/0418
 104/275
 D567,913 S 4/2008 Norton
 7,394,025 B1 * 7/2008 Wong H02G 3/305
 104/275
 D583,771 S * 12/2008 Lubanski D13/155
 D587,159 S 2/2009 Dholakiya

D673,658 S * 1/2013 Dufresne D23/266
 D688,809 S * 8/2013 McAllister D25/113
 D705,514 S 5/2014 Tai
 D706,513 S 6/2014 LaBarbera et al.
 D719,519 S * 12/2014 Mathena D13/155
 D725,748 S 3/2015 Lake
 9,059,574 B2 * 6/2015 Coffman H02G 9/04
 9,438,022 B2 9/2016 Lioi
 D772,431 S 11/2016 Norton
 9,512,582 B2 12/2016 Hill
 9,834,927 B2 * 12/2017 Huff H02G 3/285
 D815,306 S 4/2018 Norton
 D844,757 S 4/2019 Norton
 2007/0277894 A1 12/2007 Boone et al.
 2010/0282352 A1 11/2010 Maue
 2013/0048439 A1 2/2013 Marcum

FOREIGN PATENT DOCUMENTS

GB 911043 11/1962
 JP 3292910 10/1996
 KR 20100036837 9/2008

* cited by examiner

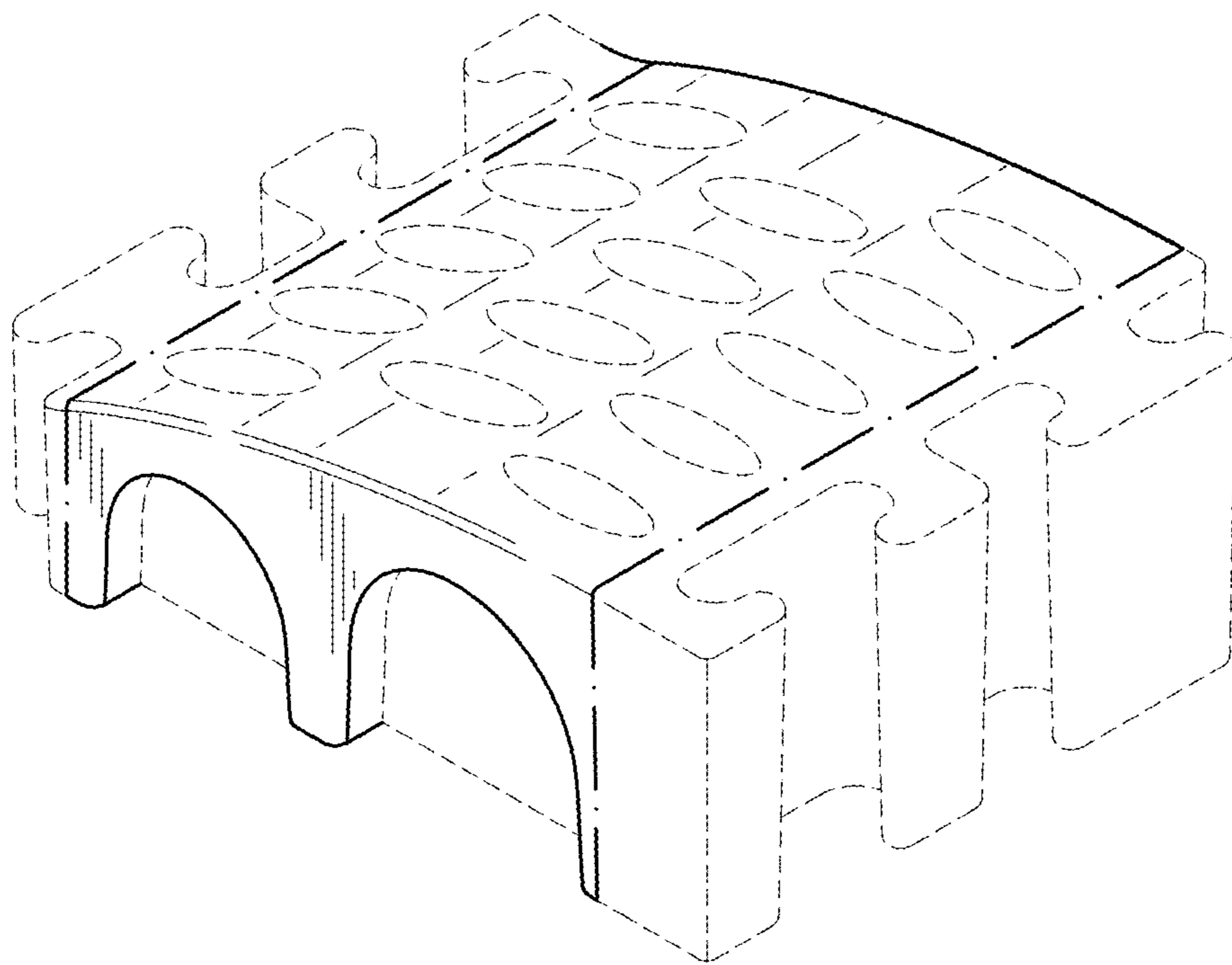


FIG. 1

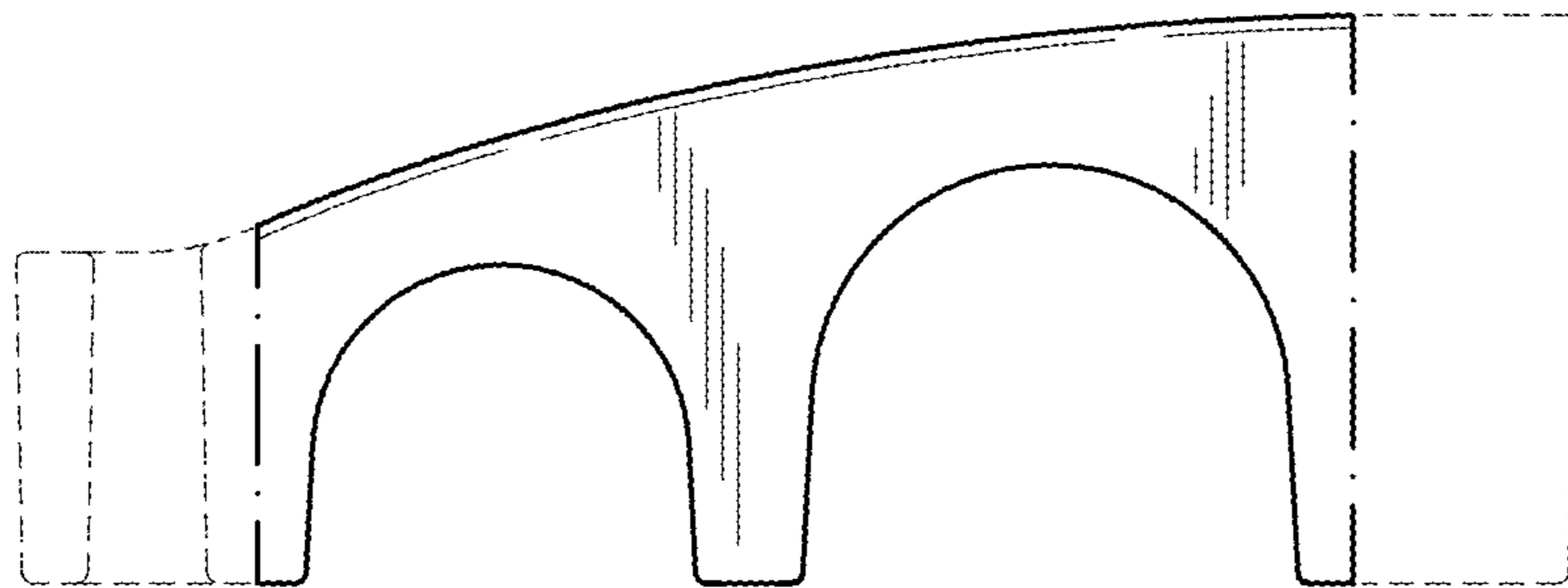


FIG. 2

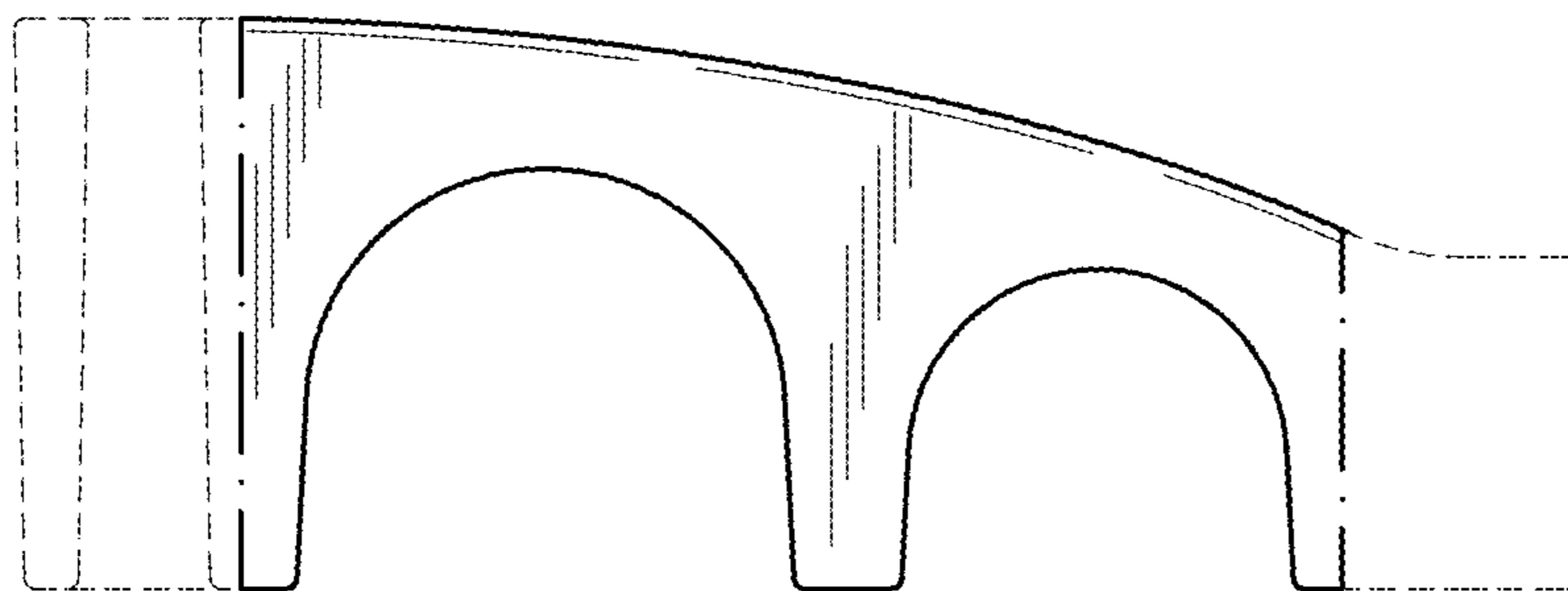


FIG. 3

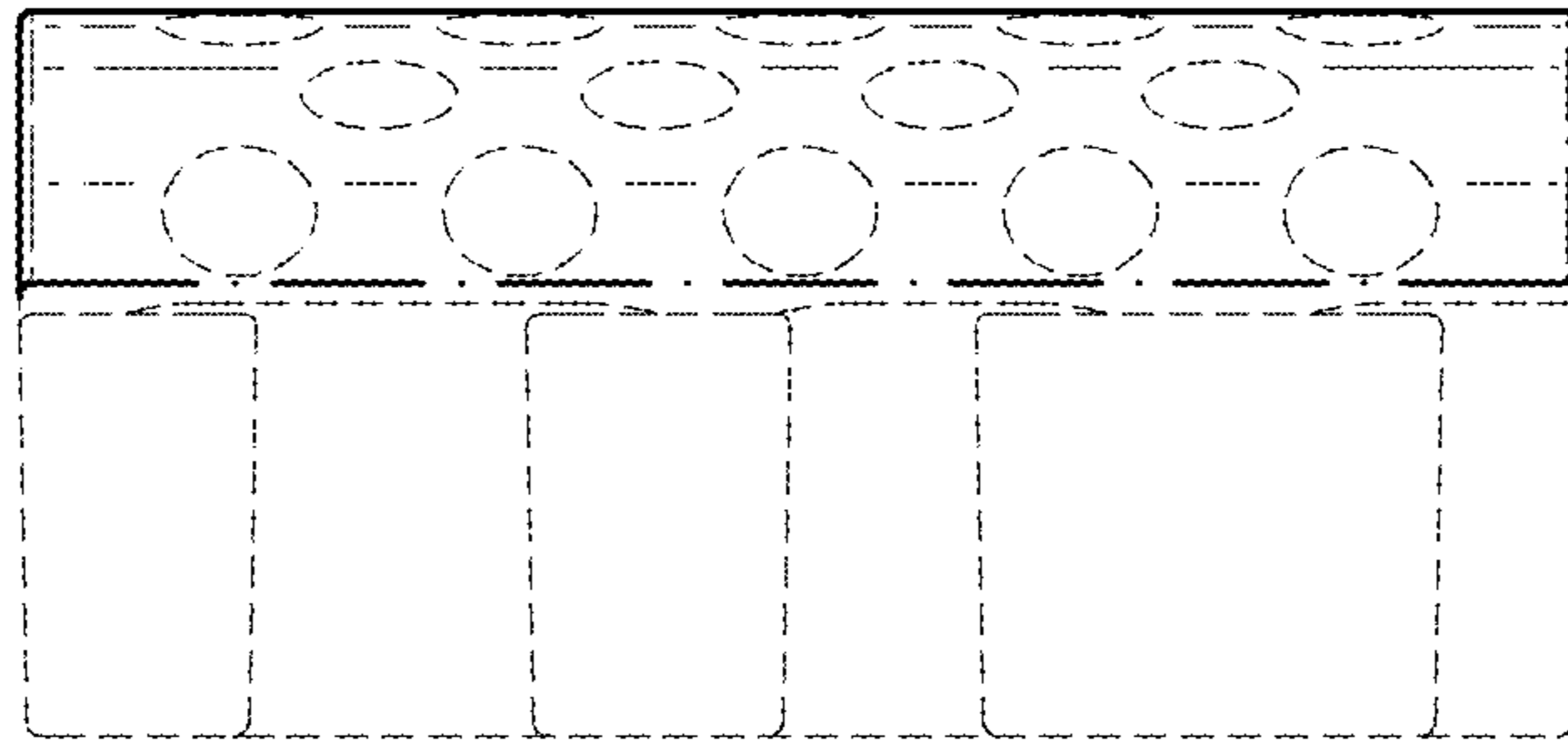


FIG. 4

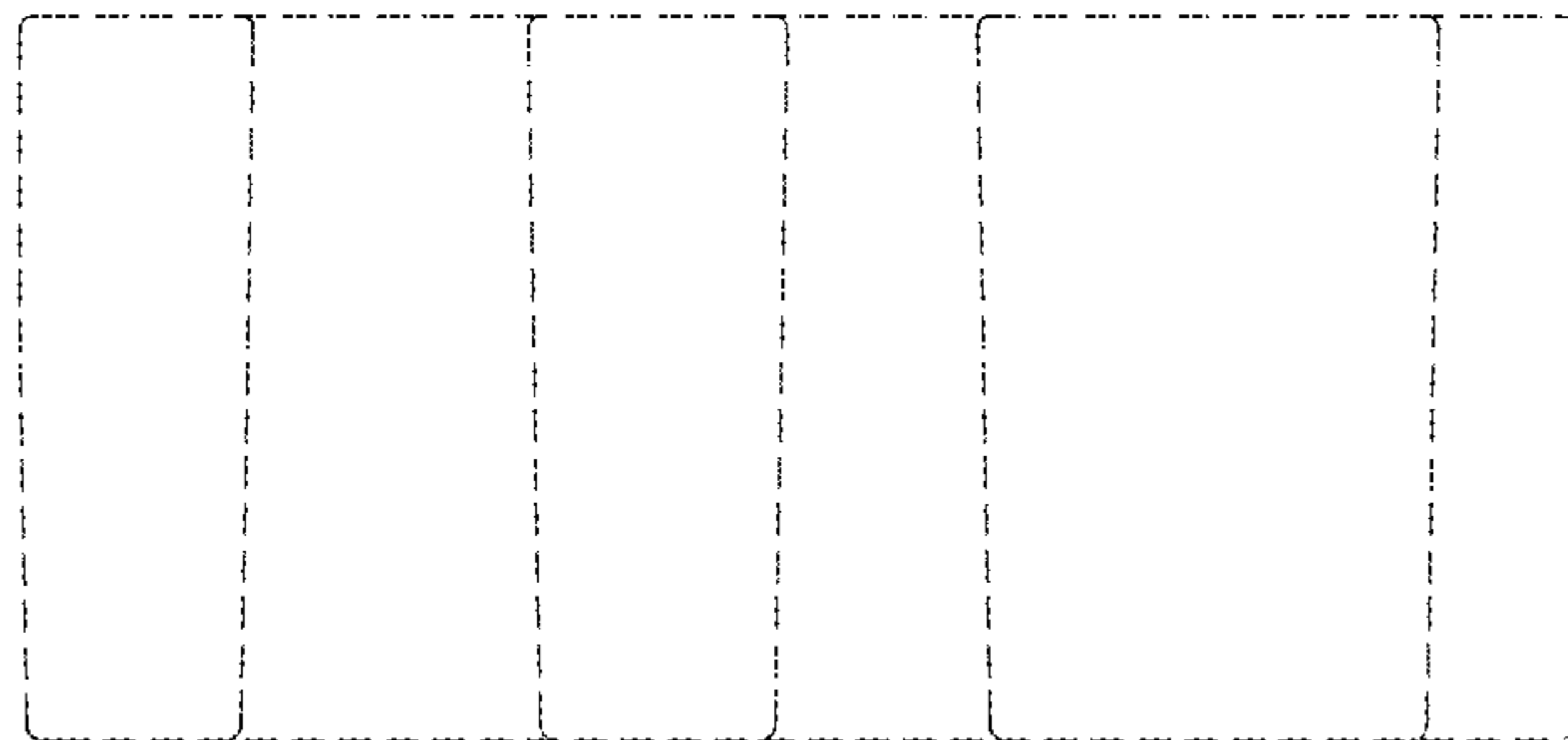


FIG. 5

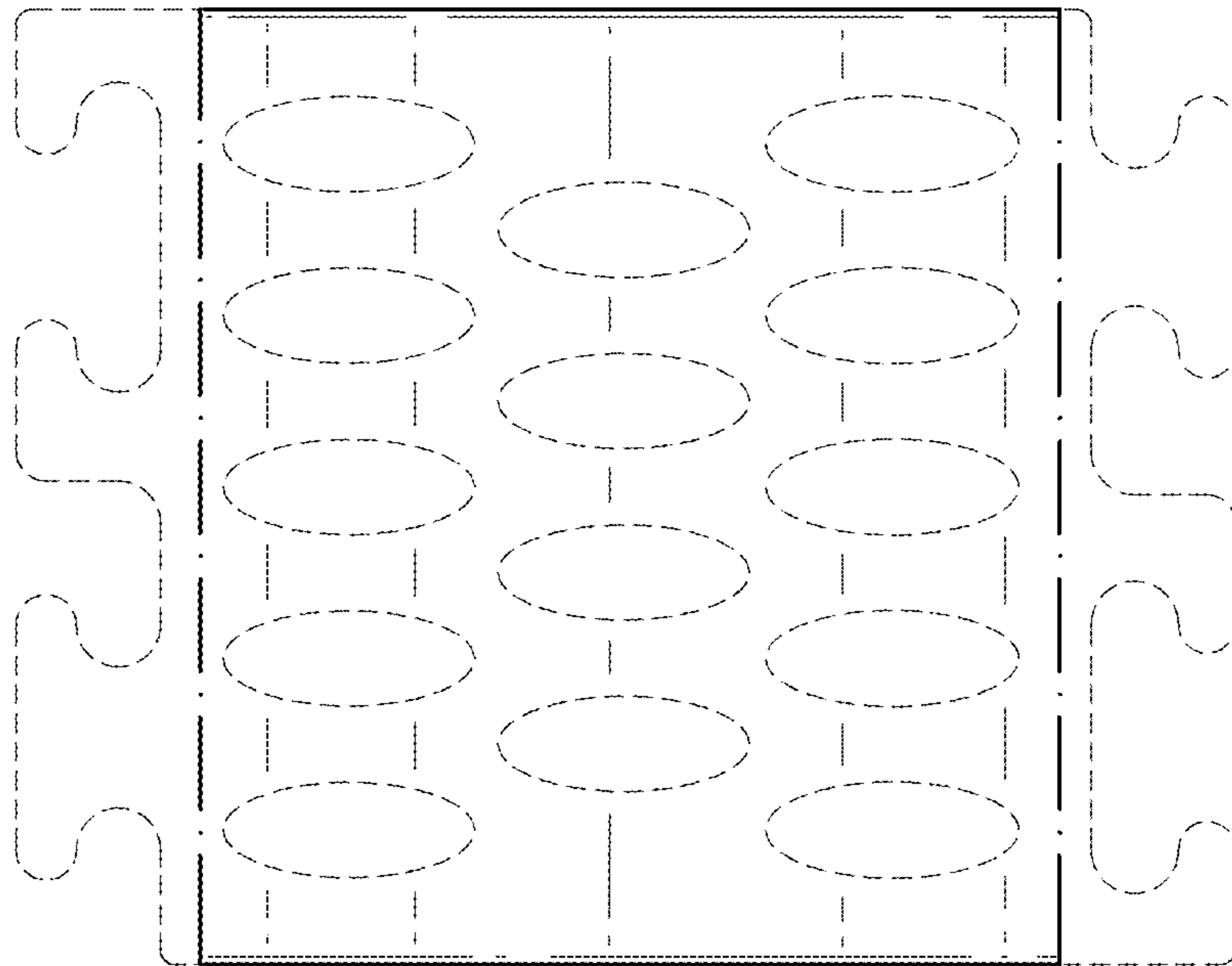


FIG. 6

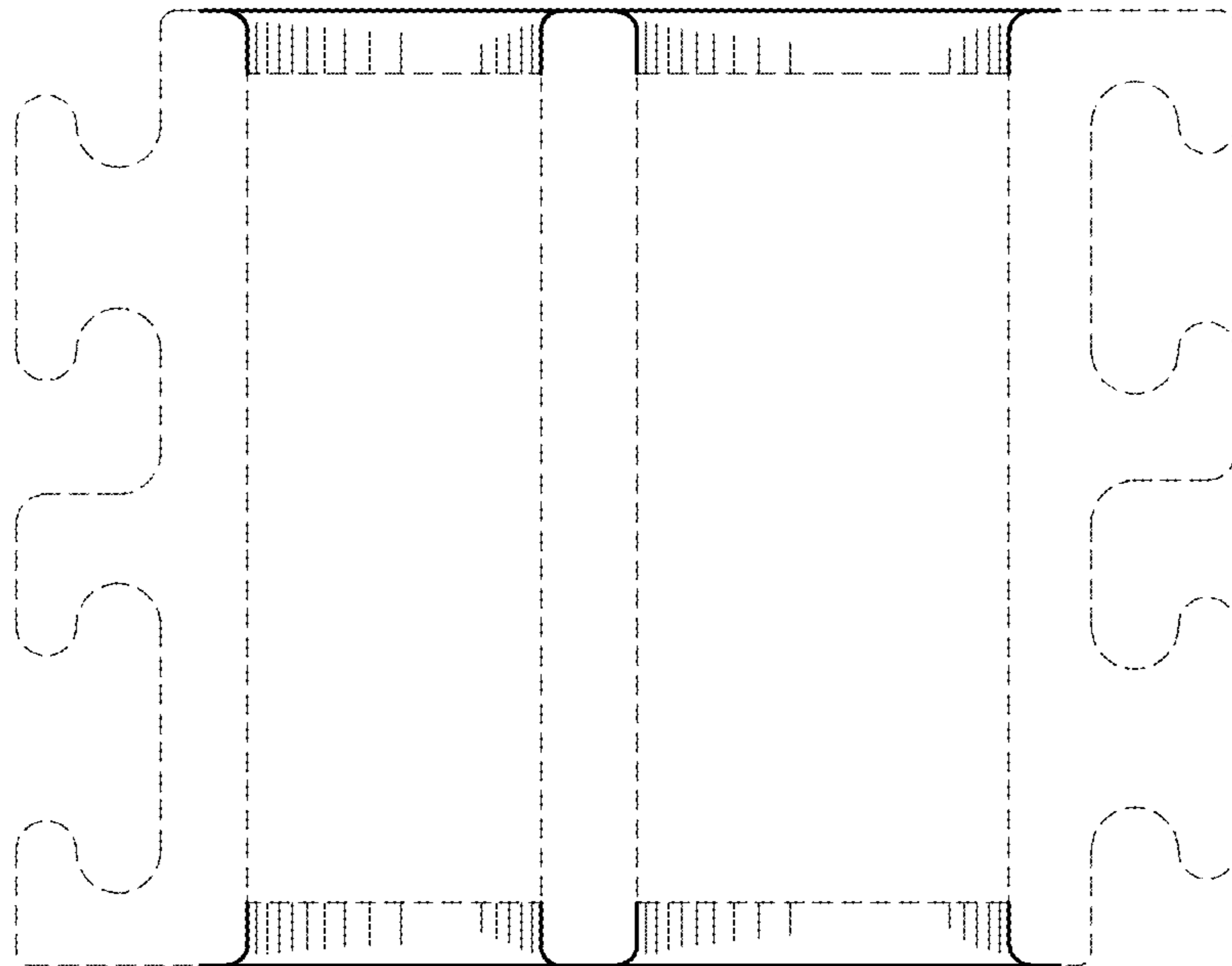


FIG. 7