

US00D899565S

(12) **United States Design Patent** (10) **Patent No.:** **US D899,565 S**  
**Soulier et al.** (45) **Date of Patent:** **\*\* Oct. 20, 2020**

(54) **FAUCET**  
(71) Applicant: **Kohler Co.**, Kohler, WI (US)  
(72) Inventors: **Jean-Hugues Soulier**, Paris (FR);  
**Ferran Serra Sola**, Paris (FR)  
(73) Assignee: **KOHLER CO.**, Kohler, WI (US)  
(\*\*) Term: **15 Years**  
(21) Appl. No.: **29/638,379**  
(22) Filed: **Feb. 27, 2018**  
(51) **LOC (12) Cl.** ..... **23-01**  
(52) **U.S. Cl.**  
USPC ..... **D23/255**  
(58) **Field of Classification Search**  
USPC ..... D23/238-241, 250, 252-254;  
D8/307-308  
CPC ..... Y10T 137/9464; Y10T 137/6014; Y10T  
137/6017  
See application file for complete search history.

(56) **References Cited**  
U.S. PATENT DOCUMENTS  
D468,810 S 1/2003 Smith  
D472,615 S 4/2003 Smith  
D510,758 S \* 10/2005 Lord ..... D23/238  
D513,060 S \* 12/2005 Ouyoung ..... D23/238  
D535,360 S \* 1/2007 Noth ..... D23/238

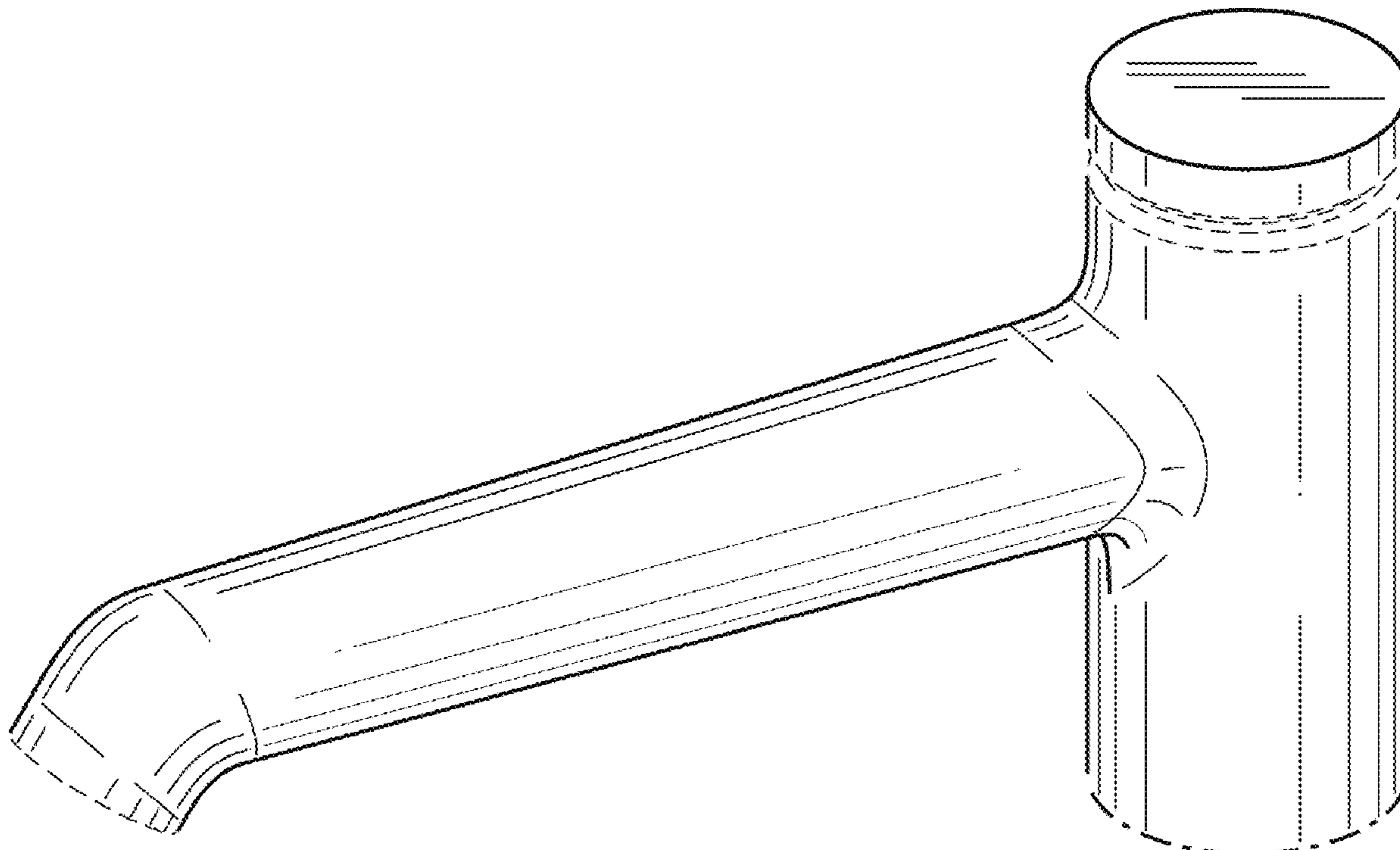
D582,016 S \* 12/2008 Schonherr ..... D23/255  
D752,186 S \* 3/2016 Schoenherr ..... D23/255  
D752,187 S \* 3/2016 Schoenherr ..... D23/255  
D811,532 S \* 2/2018 Schoenherr ..... D23/238  
D813,988 S \* 3/2018 Schoenherr ..... D23/238  
D823,989 S \* 7/2018 Soulier ..... D23/238  
D827,779 S \* 9/2018 Soulier ..... D23/238  
D828,908 S \* 9/2018 Merki ..... D23/238

\* cited by examiner  
*Primary Examiner* — Robert A Delehanty  
(74) *Attorney, Agent, or Firm* — Foley & Lardner LLP

(57) **CLAIM**  
We claim the ornamental design for a faucet, as shown and described.

**DESCRIPTION**  
FIG. 1 is a perspective view of an embodiment of the claimed design;  
FIG. 2 is a front view of the embodiment of FIG. 1;  
FIG. 3 is a rear view of the embodiment of FIG. 1;  
FIG. 4 is a side view of the embodiment of FIG. 1;  
FIG. 5 is another side view of the embodiment of FIG. 1;  
FIG. 6 is a top view of the embodiment of FIG. 1; and,  
FIG. 7 is a bottom view of the embodiment of FIG. 1.  
The ornamental design which is claimed is shown in solid lines in the drawings. The broken lines in the drawings are for illustrative purposes only and form no part of the claimed design. Broken lines formed of unequal length dashes (i.e., dash-dot) define bounds of the claimed design.

**1 Claim, 3 Drawing Sheets**



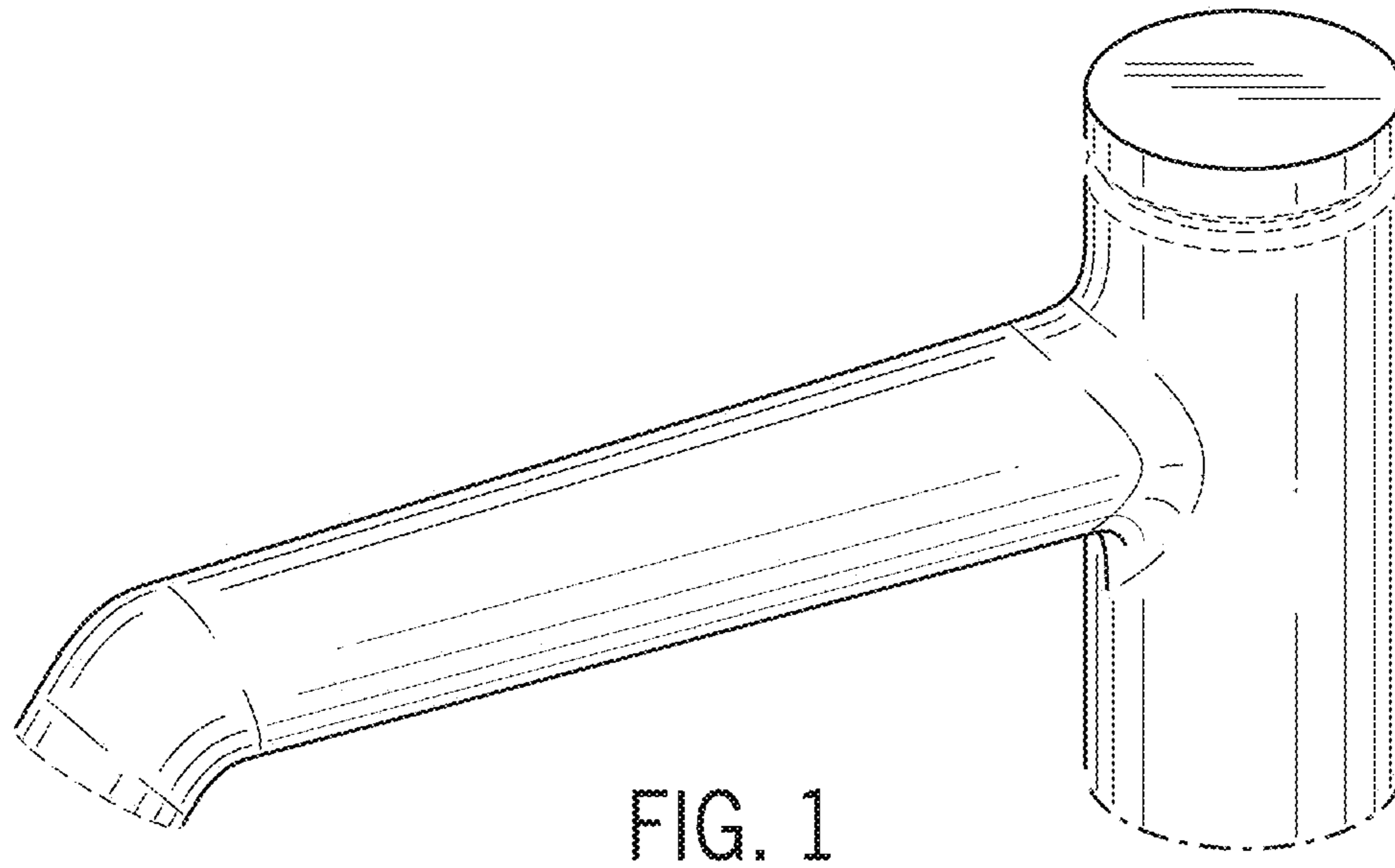


FIG. 1

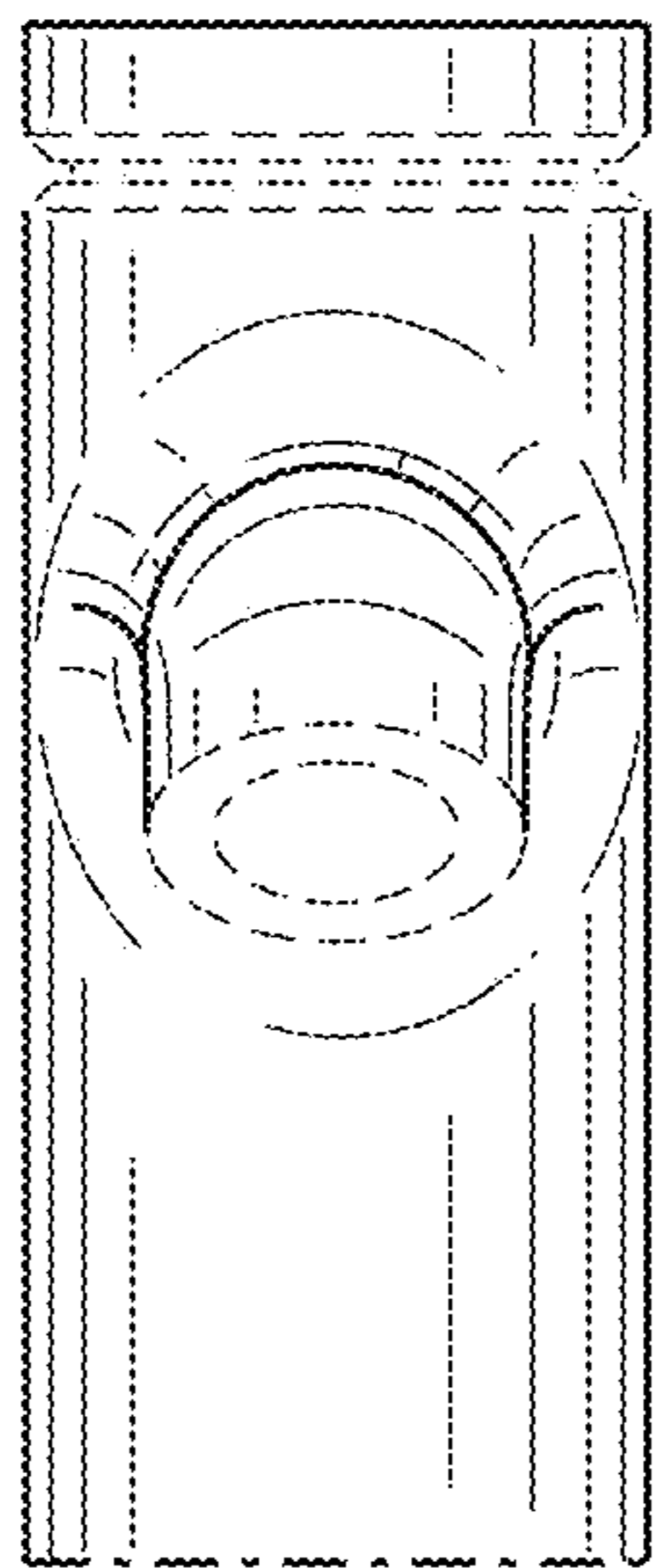


FIG. 2

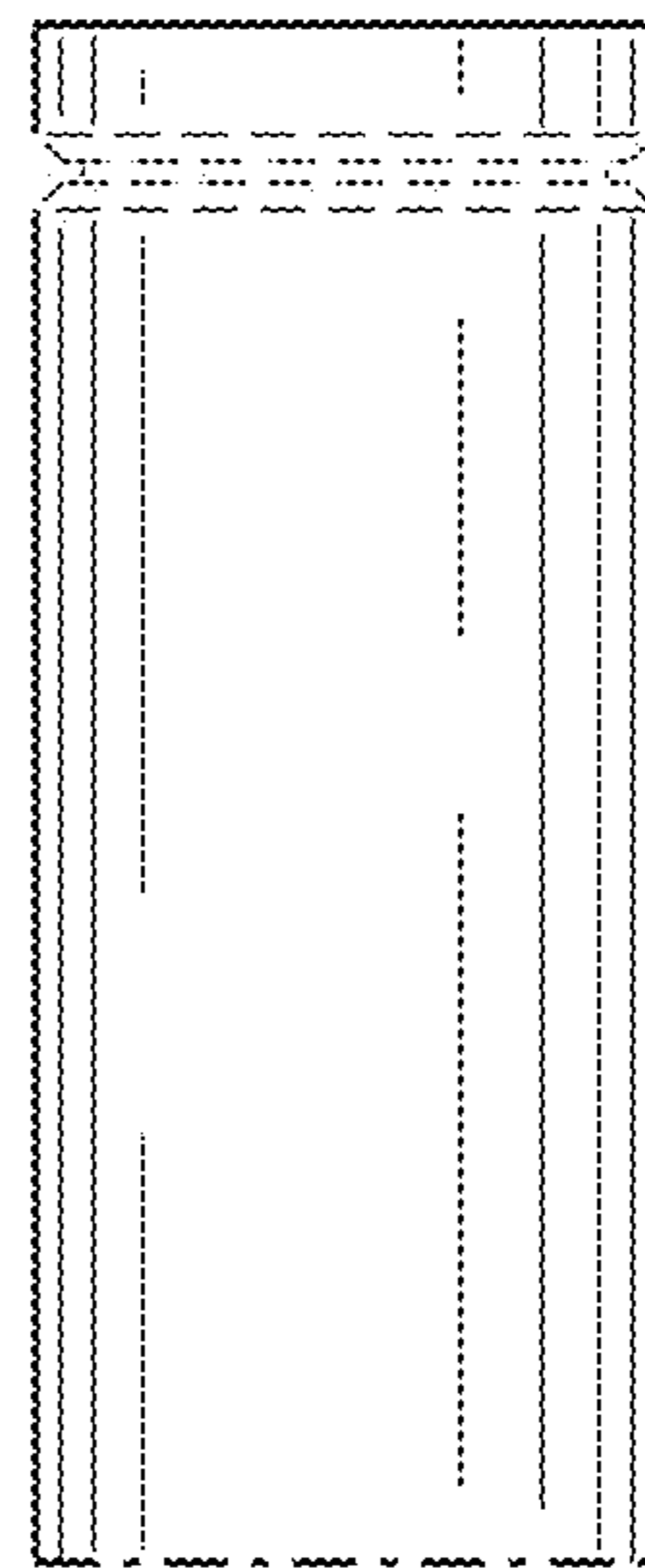
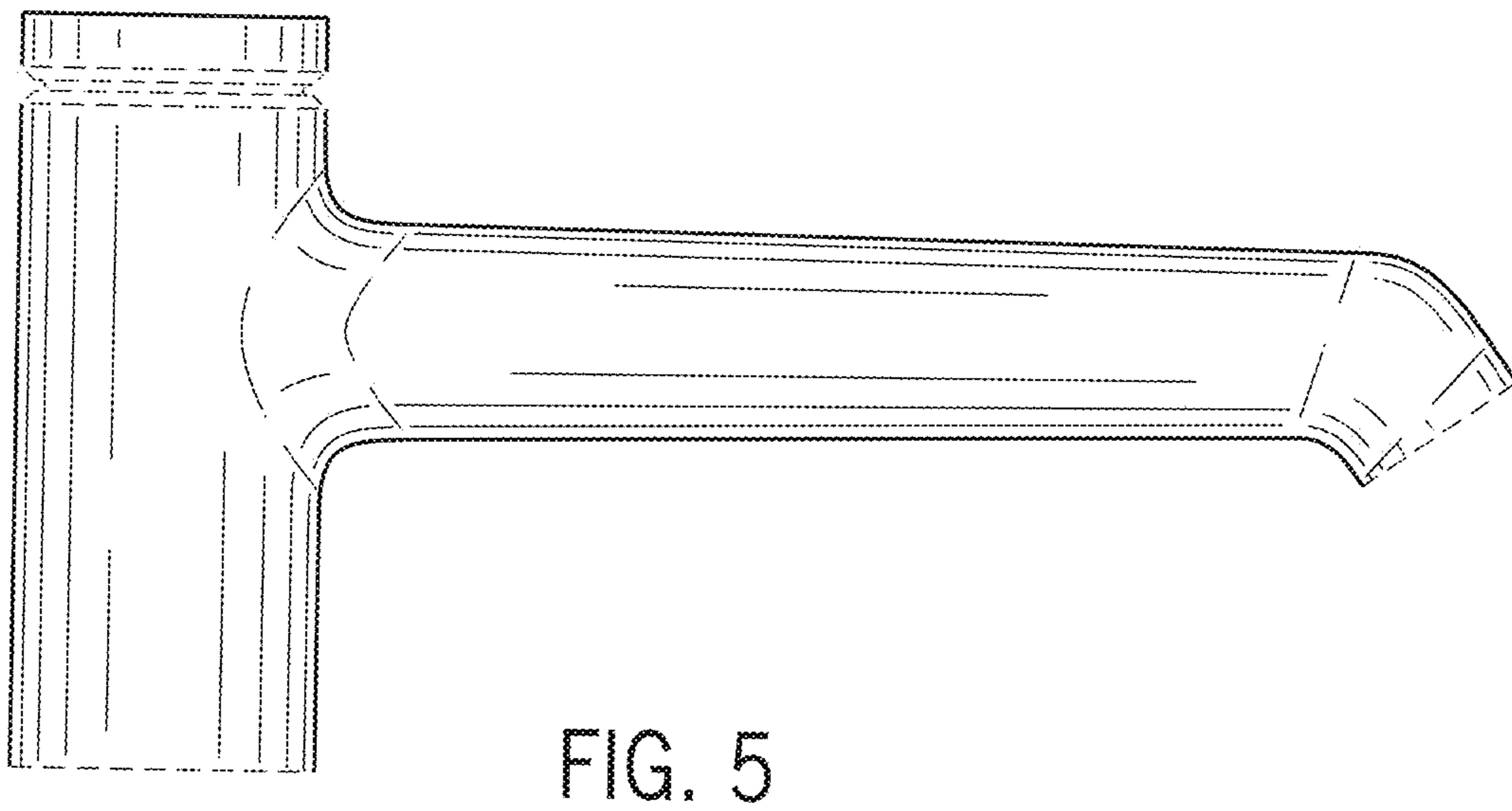
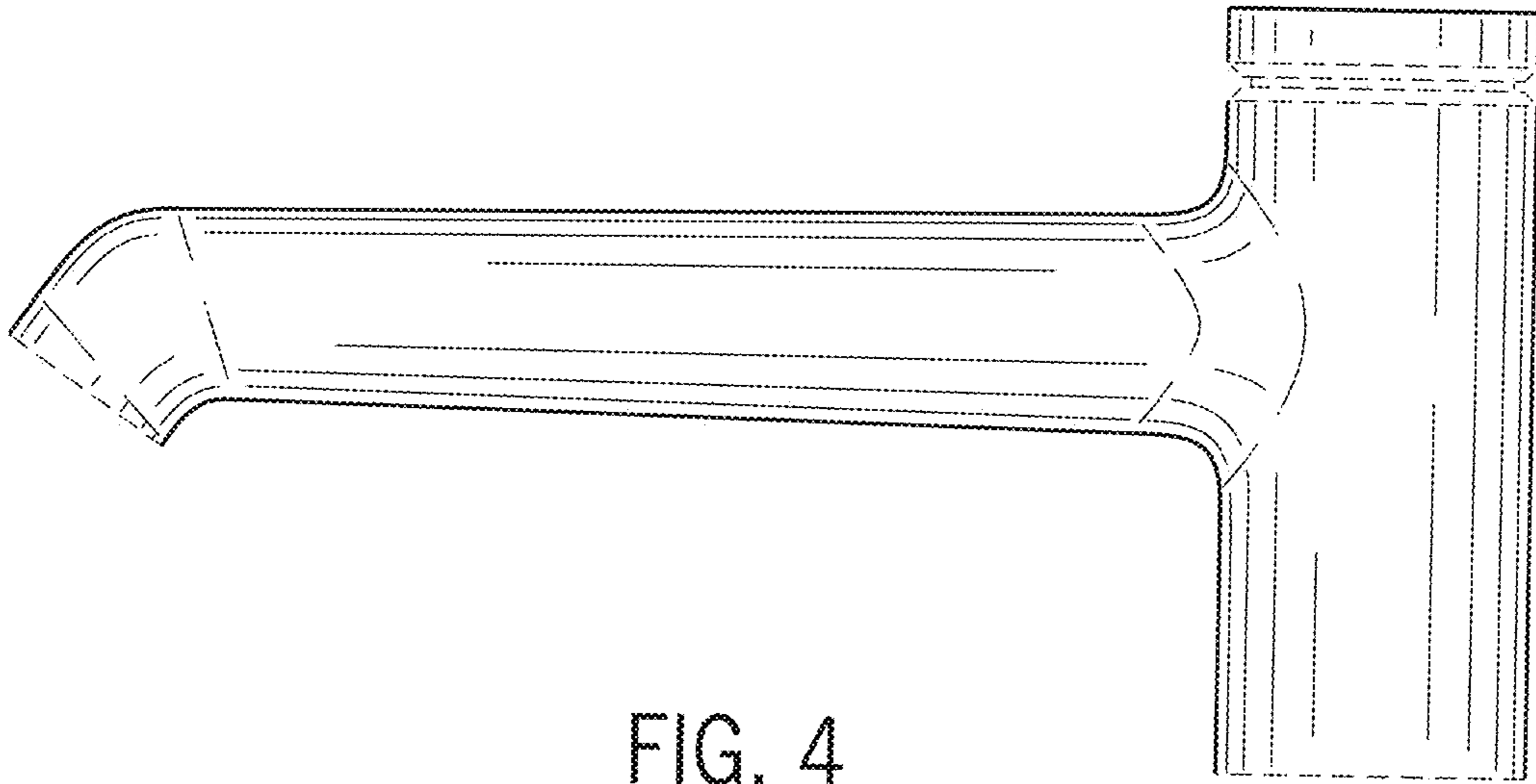


FIG. 3



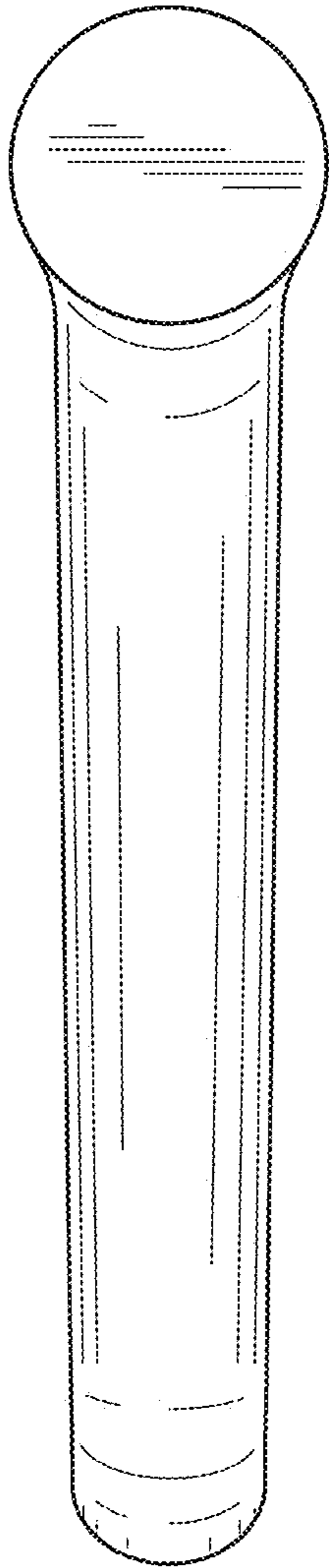


FIG. 6

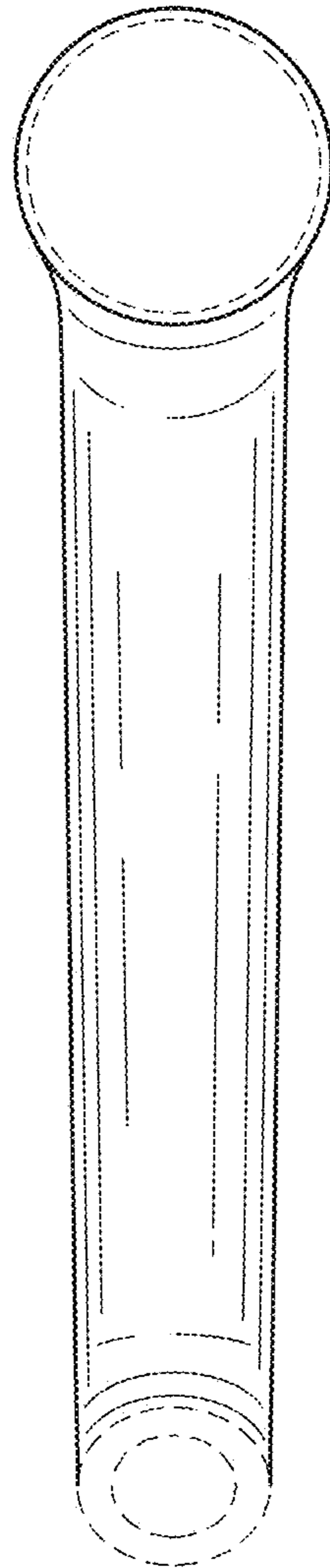


FIG. 7