



US00D899564S

(12) **United States Design Patent** (10) **Patent No.:** **US D899,564 S**  
**Nachawi** (45) **Date of Patent:** **\*\* Oct. 20, 2020**

(54) **SPRINKLER SLEEVE ATTACHMENT**

(71) Applicant: **Saiid Nachawi**, West Palm Beach, FL  
(US)

(72) Inventor: **Saiid Nachawi**, West Palm Beach, FL  
(US)

(\*\*) Term: **15 Years**

(21) Appl. No.: **29/686,132**

(22) Filed: **Apr. 2, 2019**

(51) **LOC (12) Cl.** ..... **23-01**

(52) **U.S. Cl.**  
USPC ..... **D23/213**

(58) **Field of Classification Search**  
USPC ..... D23/209, 213, 223, 226, 249, 259, 260,  
D23/365  
CPC .. B01D 35/143; B01D 27/103; B01D 35/306;  
B01D 35/1475; B01D 2201/304; B01D  
27/10; B01D 27/106

See application file for complete search history.

(56) **References Cited**

U.S. PATENT DOCUMENTS

4,350,296	A	9/1982	Kuhlman et al.	
4,765,541	A	8/1988	Mangels et al.	
D368,762	S *	4/1996	Buergi .....	D23/213
D371,426	S *	7/1996	Darin .....	D23/213
D400,643	S *	11/1998	Watson, Sr. ....	D23/208
D408,495	S *	4/1999	Adams .....	D23/213
5,938,121	A	8/1999	Ferguson et al.	
D442,670	S *	5/2001	Maddox .....	D23/213
D443,021	S *	5/2001	Maddox .....	D23/213
D447,921	S *	9/2001	Beltz .....	D23/213
D459,434	S *	6/2002	Fauquet .....	D23/213
6,543,704	B2	4/2003	Stephens	
D481,102	S *	10/2003	Marshik .....	D23/213
D499,463	S *	12/2004	Mather .....	D23/213
D500,120	S *	12/2004	Pavlik .....	D23/213
D540,908	S *	4/2007	Py .....	D23/213

D567,900	S *	4/2008	Patterson .....	D23/213
D570,953	S *	6/2008	Patterson .....	D23/213
D607,969	S *	1/2010	Ariaz .....	D23/213
7,717,360	B1	5/2010	Kander	
D639,903	S *	6/2011	Plotzitzka .....	D23/213
D644,714	S *	9/2011	Mauchle .....	D23/213
D669,555	S *	10/2012	Jaworski .....	D23/213

(Continued)

OTHER PUBLICATIONS

<https://www.amazon.com/dp/B0006IX85U/> (Year: 2004).\*

*Primary Examiner* — Manpreet S Matharu

*Assistant Examiner* — Keith J Wilson

(74) *Attorney, Agent, or Firm* — Boudwin Intellectual Property; Daniel Boudwin

(57) **CLAIM**

The ornamental design for a sprinkler sleeve attachment, as shown and described.

**DESCRIPTION**

FIG. 1 shows a perspective view of a sprinkler sleeve attachment;

FIG. 2 shows a front view of the sprinkler sleeve attachment;

FIG. 3 shows a rear view of the sprinkler sleeve attachment;

FIG. 4 shows a right side view of the sprinkler sleeve attachment;

FIG. 5 shows a left side view of the sprinkler sleeve attachment;

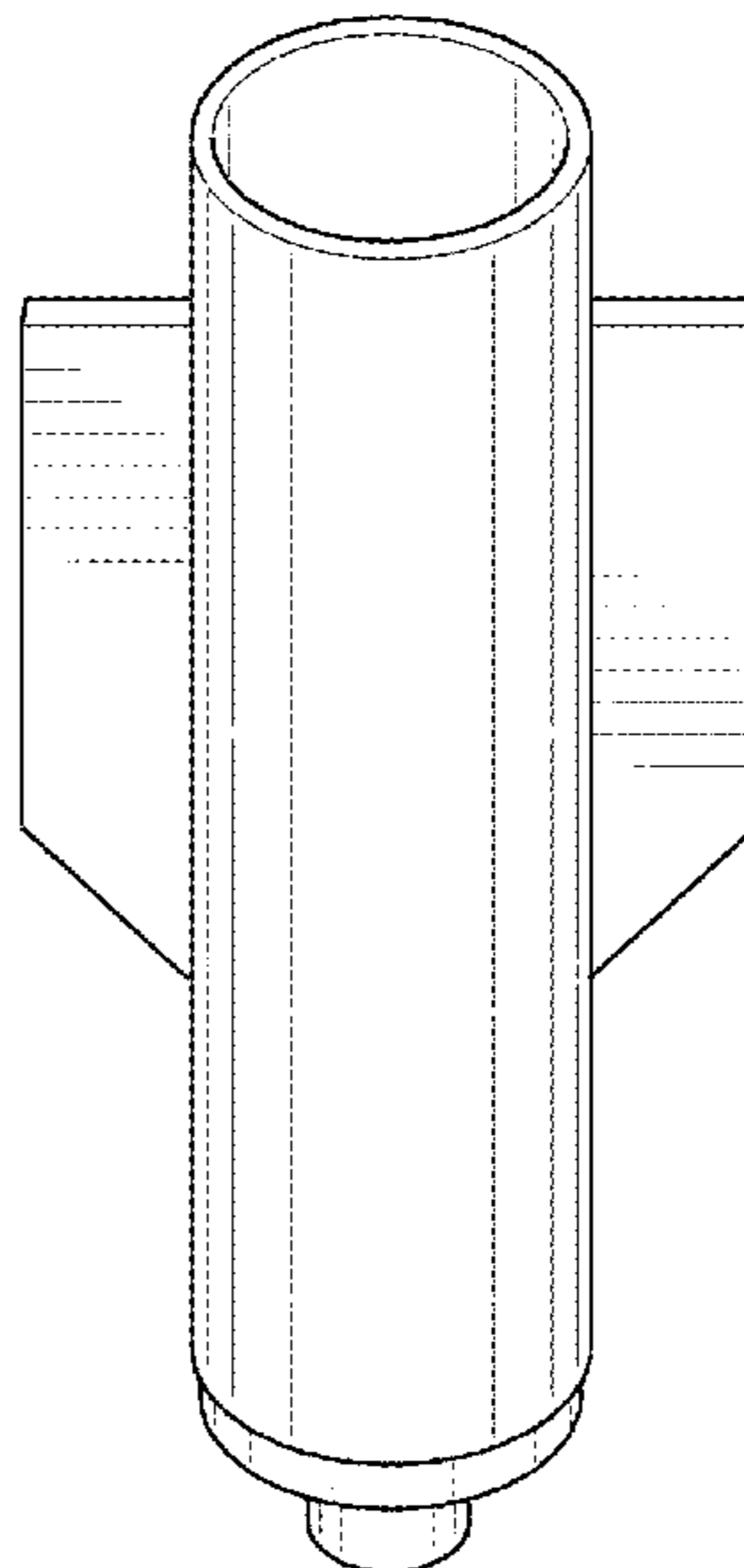
FIG. 6 shows a top plan view of the sprinkler sleeve attachment; and,

FIG. 7 shows a bottom plan view of the sprinkler sleeve attachment.

The shaded lines in the Figures show contour and not surface ornamentation.

The broken lines shown represent portions of a sprinkler sleeve attachment and form no part of the claimed design.

**1 Claim, 4 Drawing Sheets**



(56)

**References Cited**

U.S. PATENT DOCUMENTS

D704,799	S	*	5/2014	Crawley	.....	D23/213
D803,284	S	*	11/2017	Williams	.....	D15/138
D812,714	S	*	3/2018	Hughes	.....	D23/213
D849,190	S	*	5/2019	Boucher	.....	D23/213
D851,728	S	*	6/2019	Tse	.....	D23/213
D867,528	S	*	11/2019	Bitterman	.....	D23/213
D867,529	S	*	11/2019	Yang	.....	D23/213
2017/0095826	A1		4/2017	Schneider		

\* cited by examiner

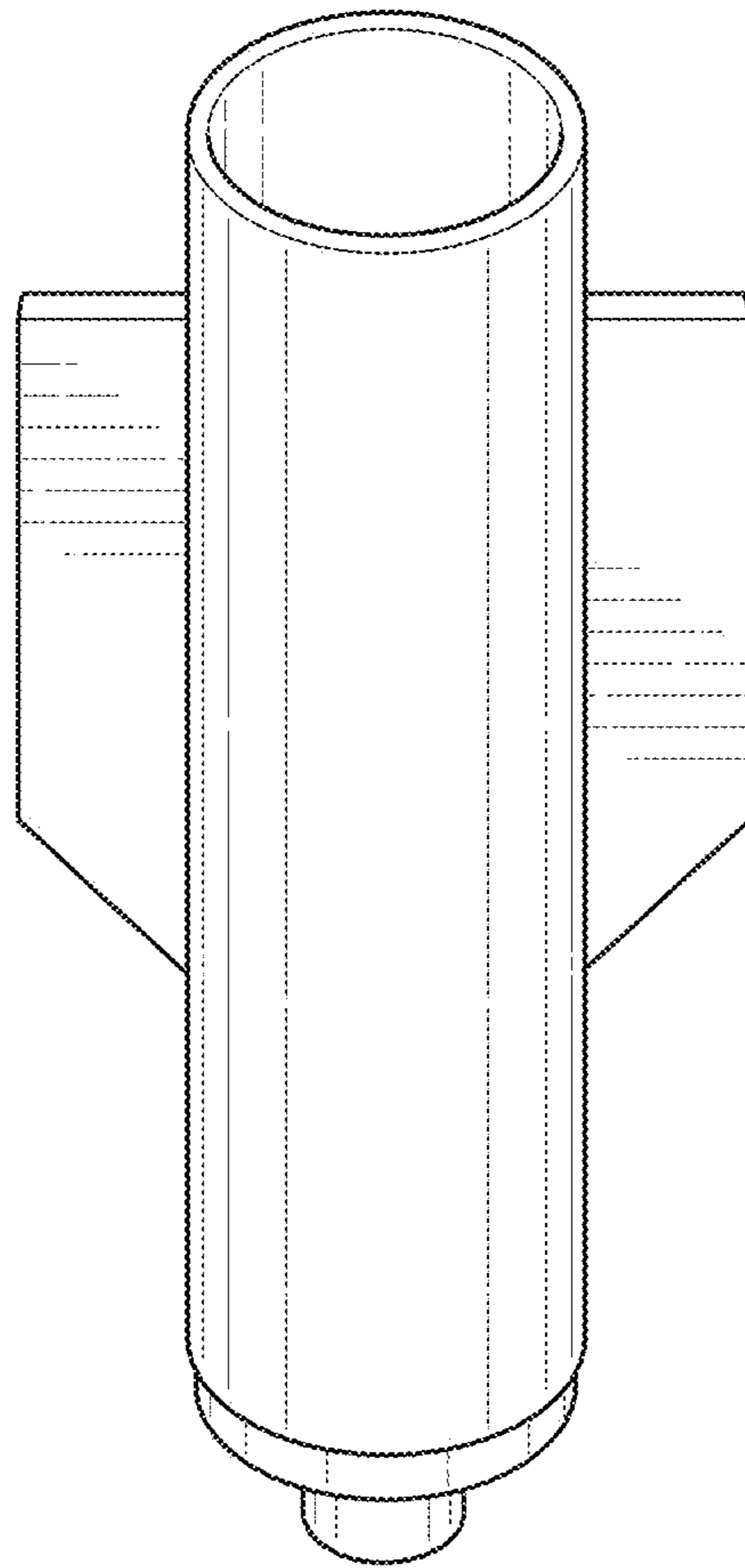
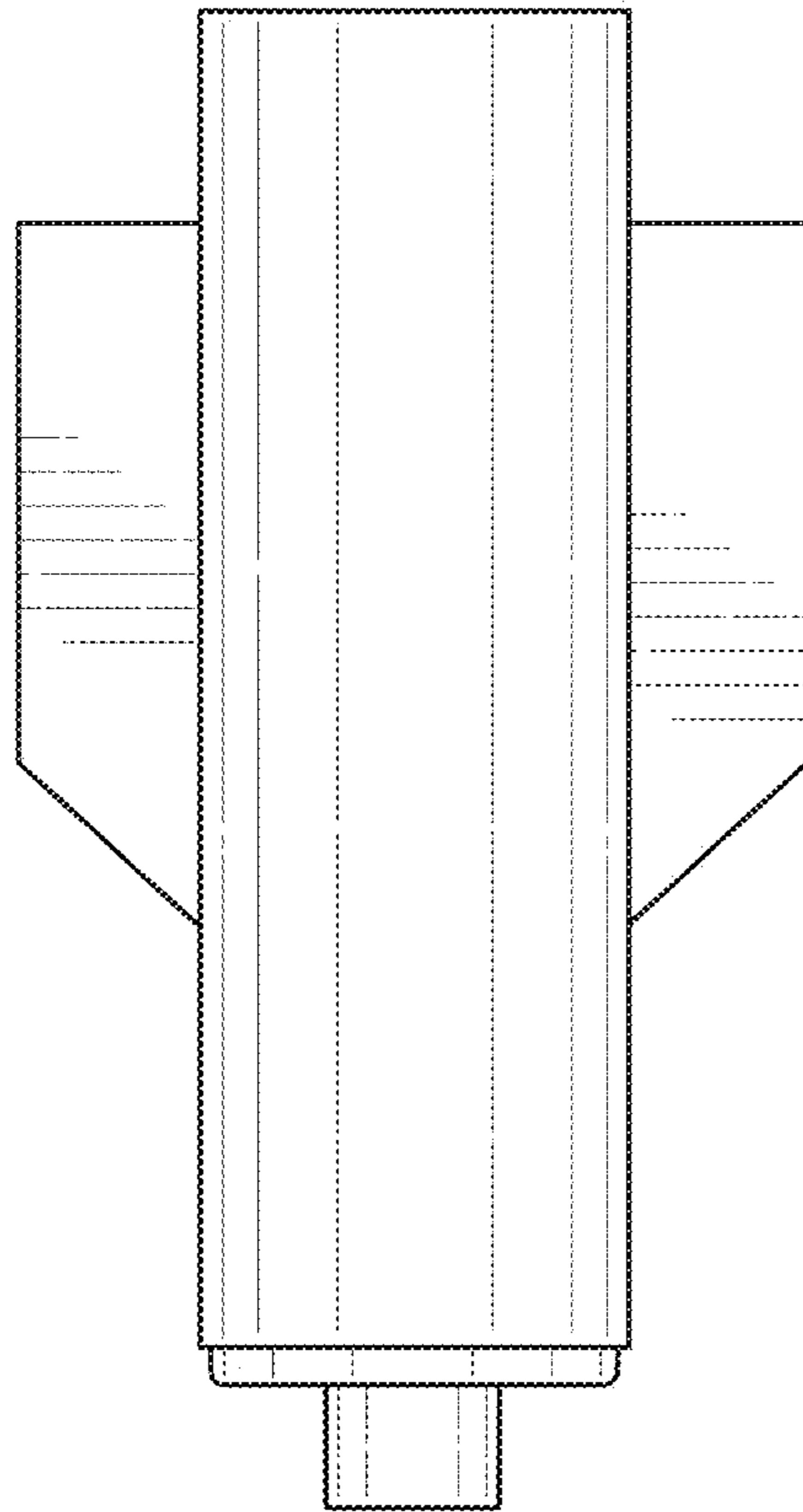
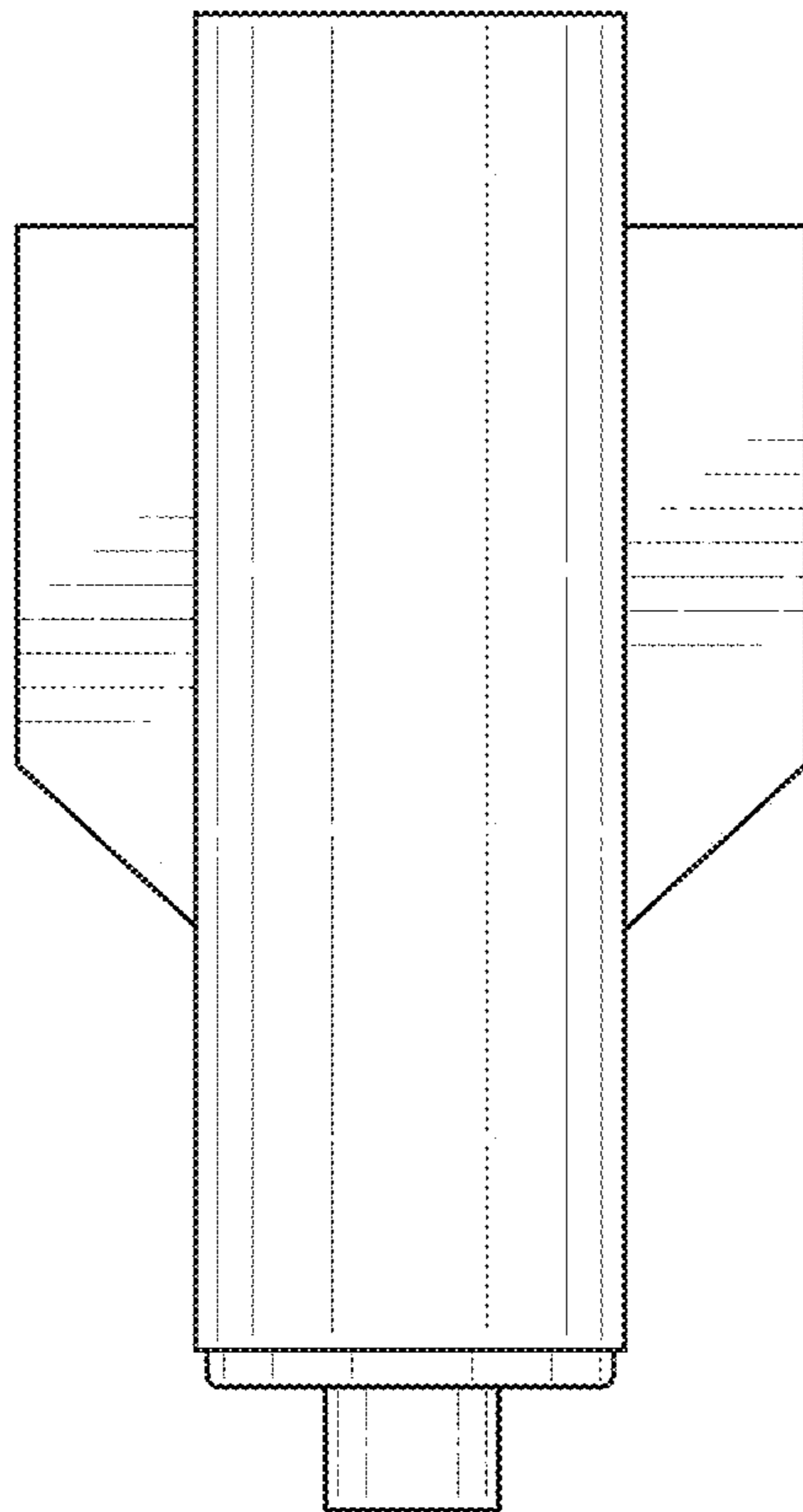


FIG. 1



**FIG. 2**



**FIG. 3**

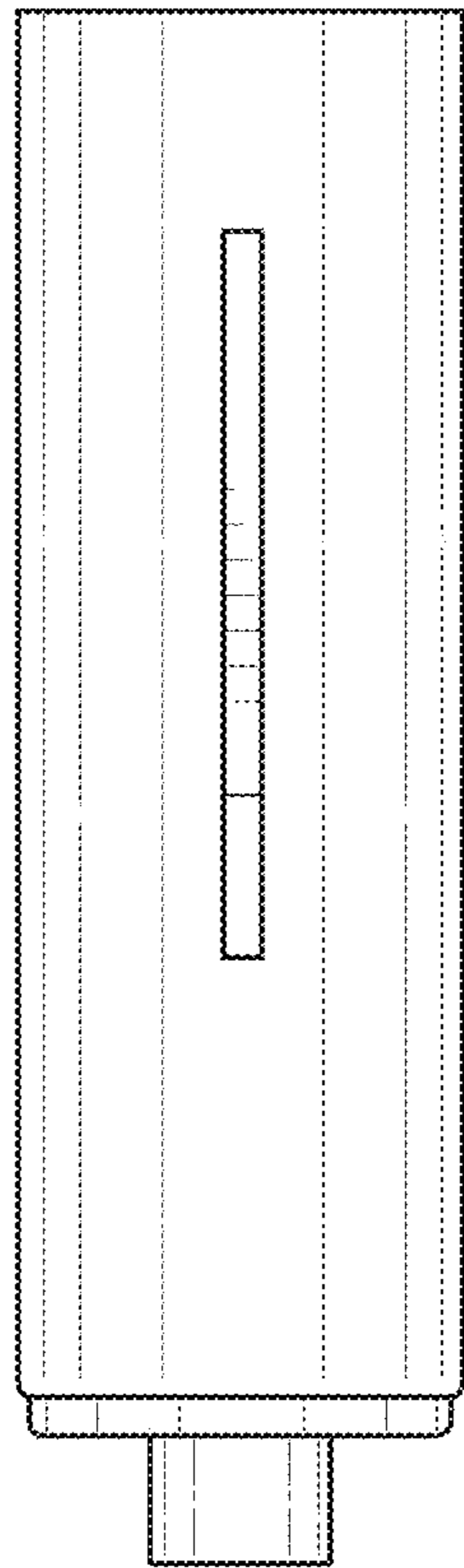


FIG. 4

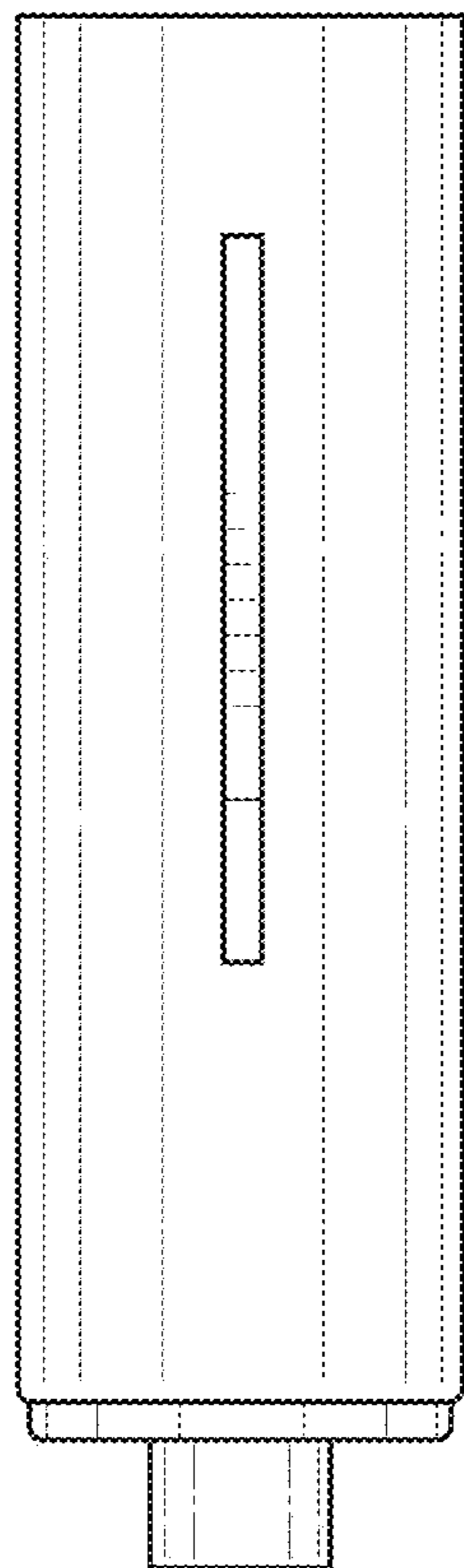
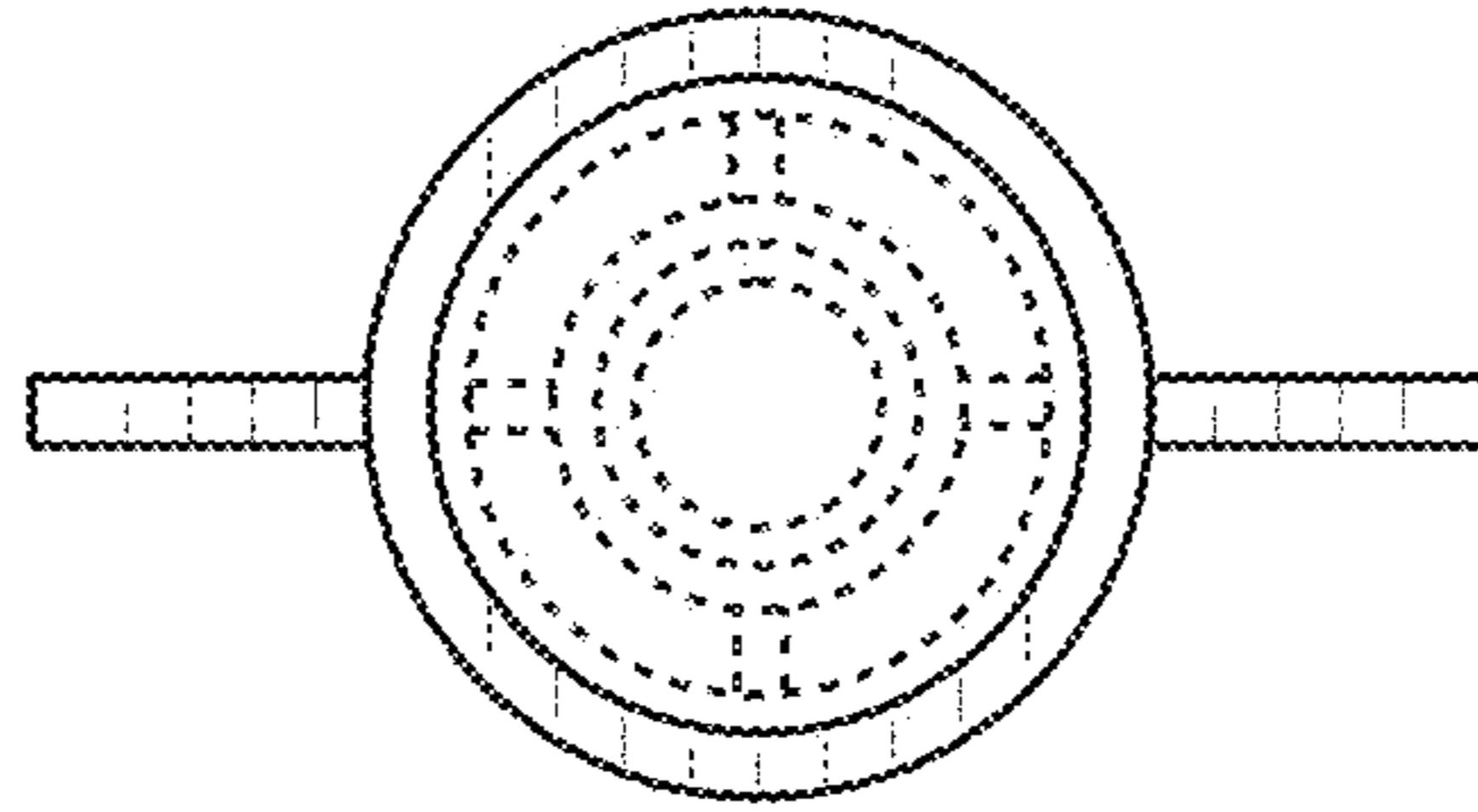
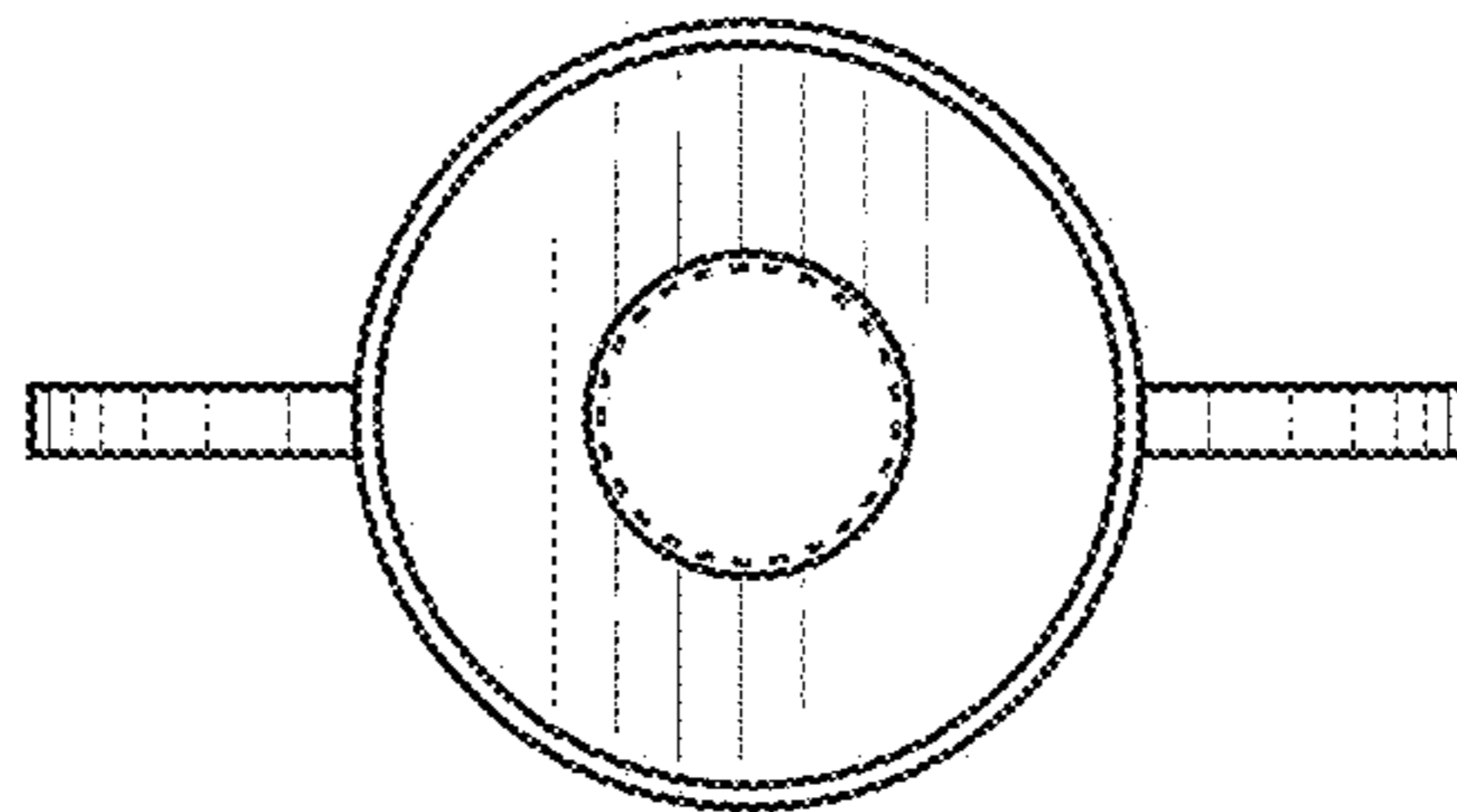


FIG. 5



**FIG. 6**



**FIG. 7**