



US00D899562S

(12) **United States Design Patent**  
**Timmann et al.**

(10) **Patent No.:** **US D899,562 S**  
(45) **Date of Patent:** **\*\* Oct. 20, 2020**

(54) **TOILET RIM BLOCKS**  
(71) Applicant: **Henkel AG & Co. KGaA**, Duesseldorf (DE)  
(72) Inventors: **Ulf Arno Timmann**, Duesseldorf (DE); **Jens Leffler**, Kaarst (DE); **Katja Gerhards**, Duesseldorf (DE); **Tatiana Schymitzek**, Krefeld (DE); **Daniela Poethkow**, Krefeld (DE)  
(73) Assignee: **Henkel AG & Co. KGaA** (DE)

D508,106 S 8/2005 Nguyen et al.  
D512,480 S 12/2005 Nguyen et al.  
D520,103 S 5/2006 Johnson et al.  
D523,923 S 6/2006 Nguyen et al.  
D548,305 S 8/2007 King et al.  
D556,854 S 12/2007 Cheung et al.  
D613,368 S 4/2010 Padain et al.  
D655,778 S 3/2012 Muehlhausen  
D656,575 S 3/2012 Muehlhausen  
D656,576 S 3/2012 Muehlhausen  
D659,793 S 5/2012 Muehlhausen  
D679,778 S 4/2013 Gerhards  
D689,167 S 9/2013 Gerhards  
D720,427 S 12/2014 Wang et al.

(Continued)

(\*\*) Term: **15 Years**

*Primary Examiner* — Lakiya G Rogers  
*Assistant Examiner* — John A Voytek

(21) Appl. No.: **29/651,254**

(74) *Attorney, Agent, or Firm* — Bojuan Deng

(22) Filed: **Apr. 25, 2018**

(30) **Foreign Application Priority Data**

(57) **CLAIM**

The ornamental design for toilet rim blocks, as shown and described.

Oct. 26, 2017 (EM) ..... 004422731

(51) **LOC (12) Cl.** ..... **23-01**

**DESCRIPTION**

(52) **U.S. Cl.** ..... **D23/208**

USPC ..... **D23/208**

(58) **Field of Classification Search**

USPC ..... D23/200, 207, 208, 209; 210/87, 232, 210/238, 244, 282, 747.3, 767; D7/700; D32/53; D24/162, 132; 4/223, 225.1, 4/227.1, 231

CPC .. B01D 35/143; B01D 35/30; B01D 19/0031; B01D 29/90; B01D 29/27; B01D 29/56; C02F 1/003; C02F 1/283; C02F 1/60

See application file for complete search history.

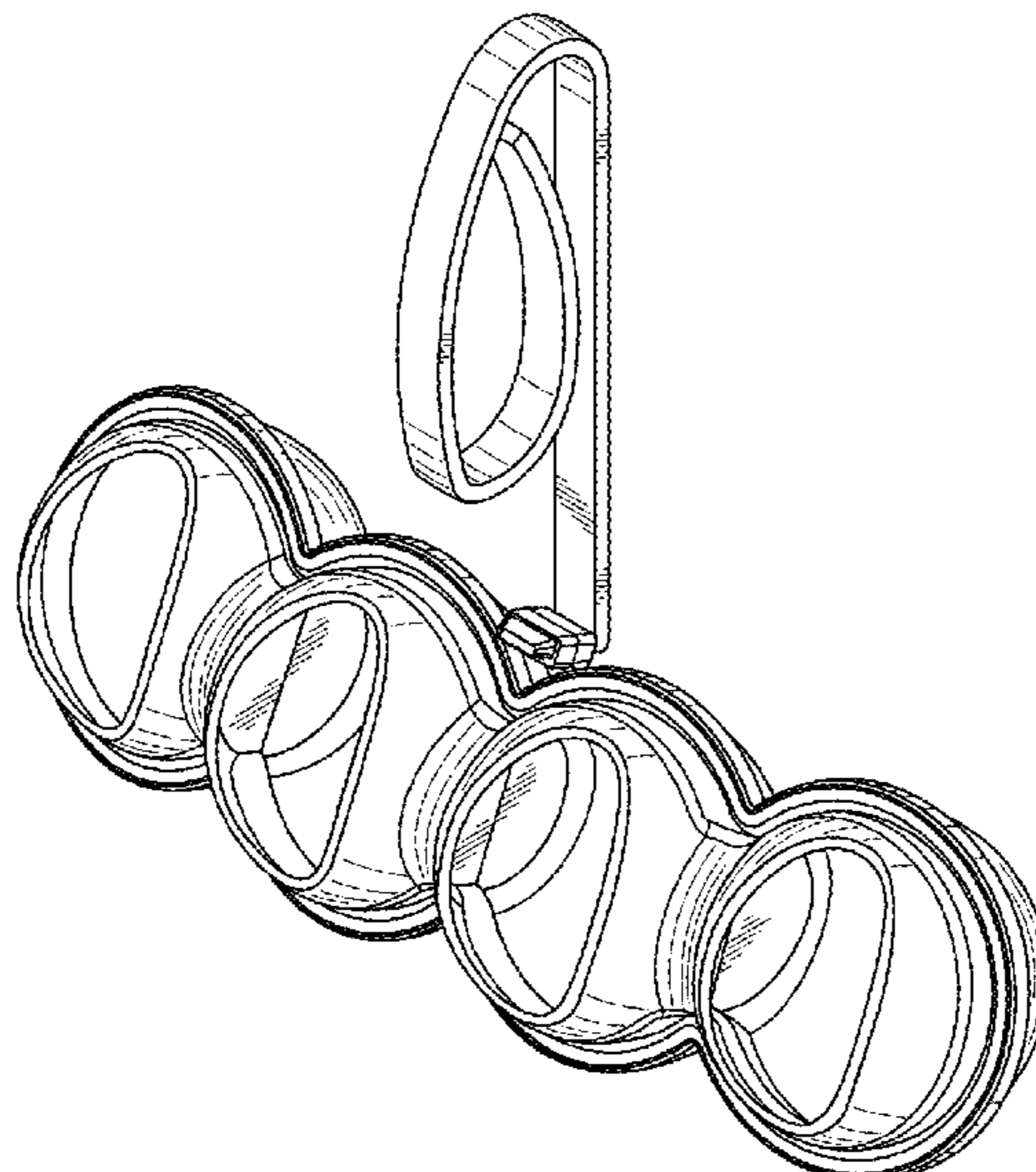
(56) **References Cited**

**U.S. PATENT DOCUMENTS**

D212,420 S 10/1968 Wilson  
D212,753 S 11/1968 Tughan  
D506,805 S 6/2005 Nguyen et al.  
D507,628 S 7/2005 McLellan et al.

FIG. 1 is a front perspective view of toilet rim blocks embodying the new design;  
FIG. 2 is a front side elevation view thereof;  
FIG. 3 is a rear side elevation view thereof;  
FIG. 4 is a right side elevation view thereof;  
FIG. 5 is a left side elevation view thereof;  
FIG. 6 is a top plan view thereof; and,  
FIG. 7 is a bottom plan view thereof;  
FIG. 8 is a front perspective view of toilet rim blocks embodying our new design;  
FIG. 9 is a front side elevation view thereof;  
FIG. 10 is a rear side elevation view thereof;  
FIG. 11 is a right side elevation view thereof;  
FIG. 12 is a left side elevation view thereof;  
FIG. 13 is a top plan view thereof; and,  
FIG. 14 is a bottom plan view thereof.

**1 Claim, 14 Drawing Sheets**



(56)

**References Cited**

U.S. PATENT DOCUMENTS

D720,428 S	12/2014	Wang et al.	
D720,830 S	1/2015	Wang et al.	
D748,222 S	1/2016	Gerhards	
D751,683 S	3/2016	Furner et al.	
D772,376 S	11/2016	Gerhards et al.	
D772,377 S	11/2016	Gerhards et al.	
D772,378 S	11/2016	Gerhards et al.	
D787,631 S *	5/2017	Gerhards	D23/208
D787,632 S *	5/2017	Gerhards	D23/208
D788,257 S *	5/2017	Gerhards	D23/208
D788,258 S *	5/2017	Gerhards	D23/208
D791,911 S *	7/2017	Muller	D23/208
D795,388 S *	8/2017	Gerhards	D23/208
D806,207 S *	12/2017	Gerhards	D23/208
D809,092 S	1/2018	Gerhards et al.	
D823,984 S *	7/2018	Muller	D23/208
D832,974 S *	11/2018	Muller	D23/208
D850,578 S *	6/2019	Schepp	D23/208
2012/0047640 A1	3/2012	Warkotsch et al.	

\* cited by examiner

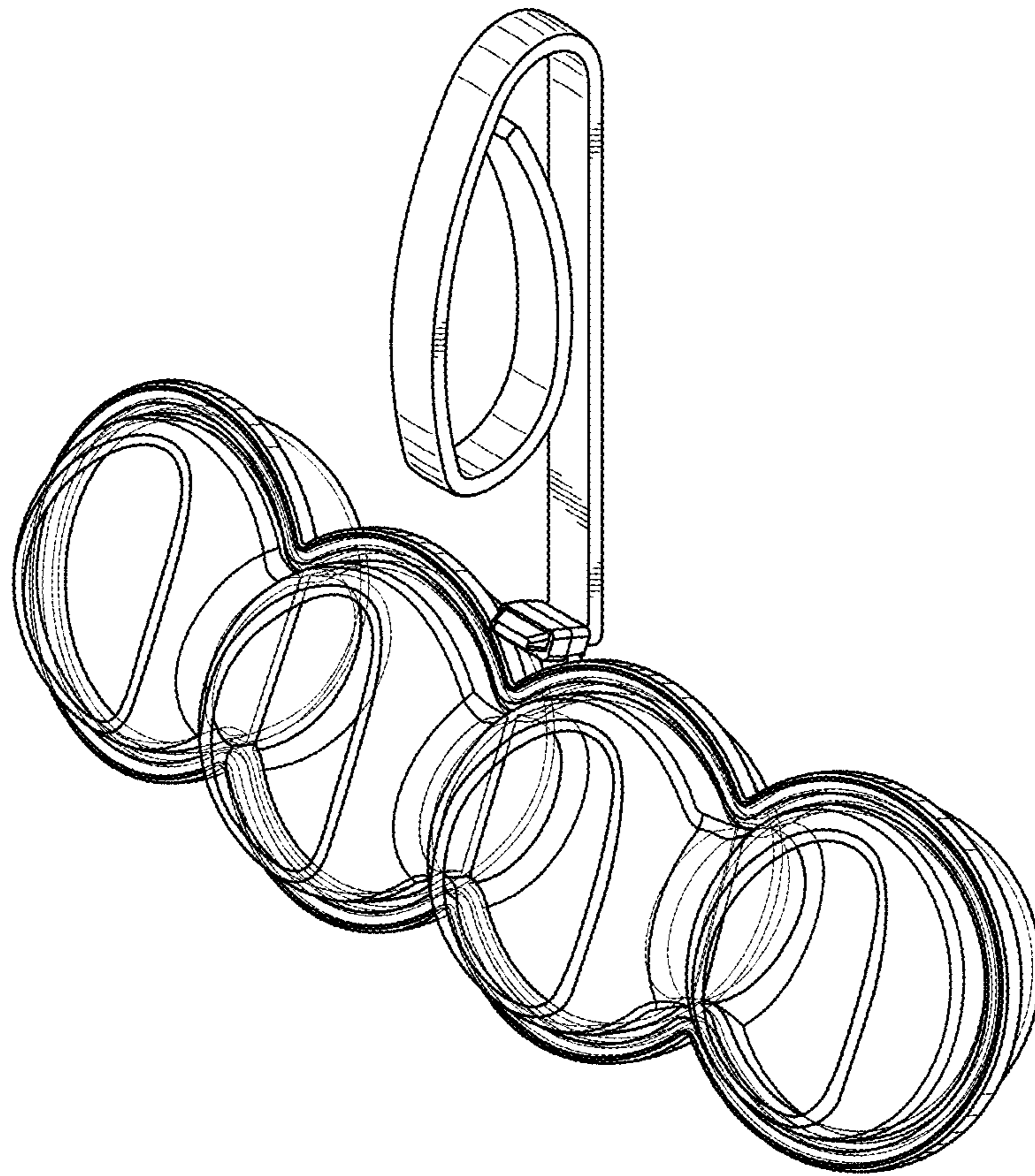


FIG.1

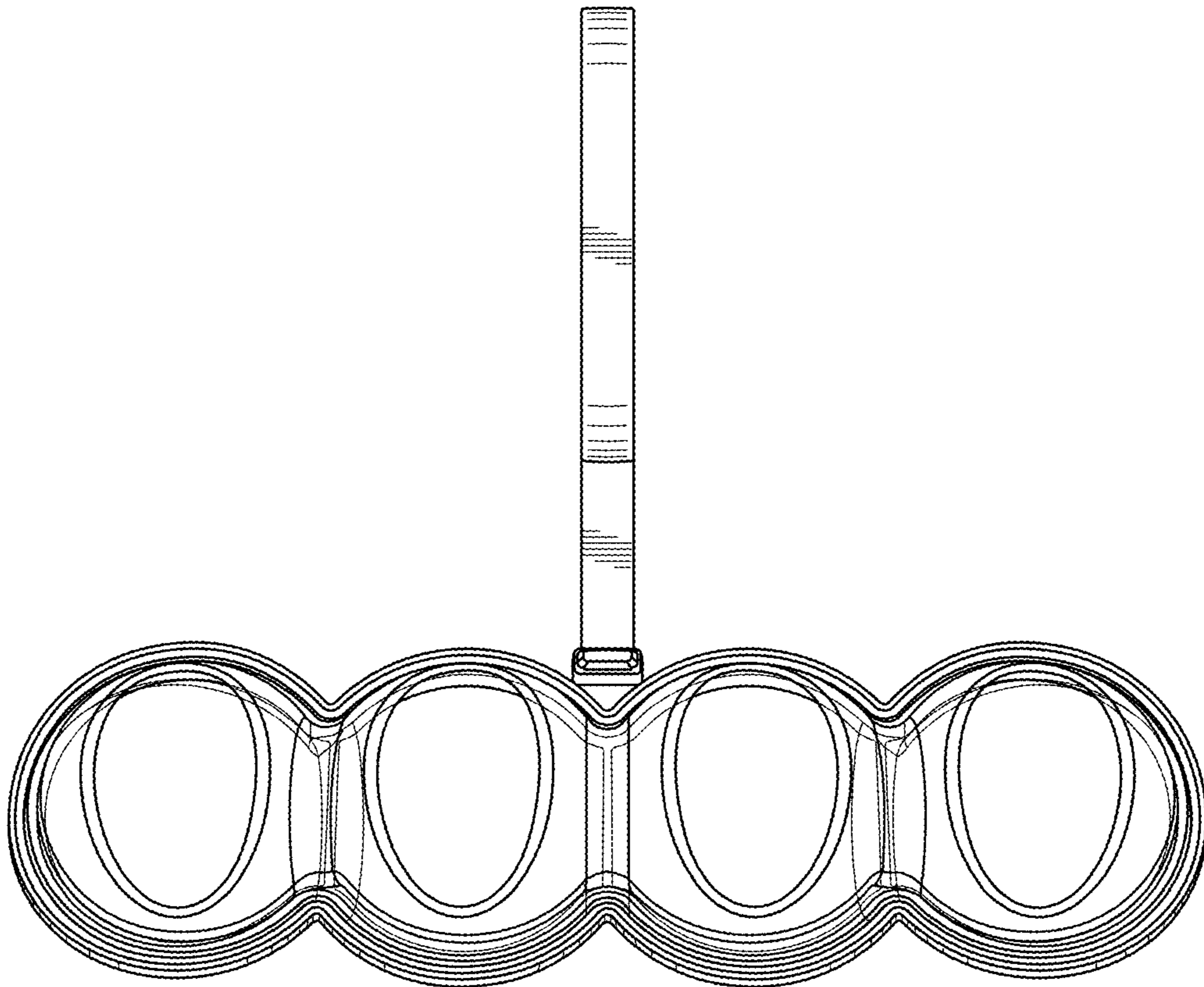


FIG.2

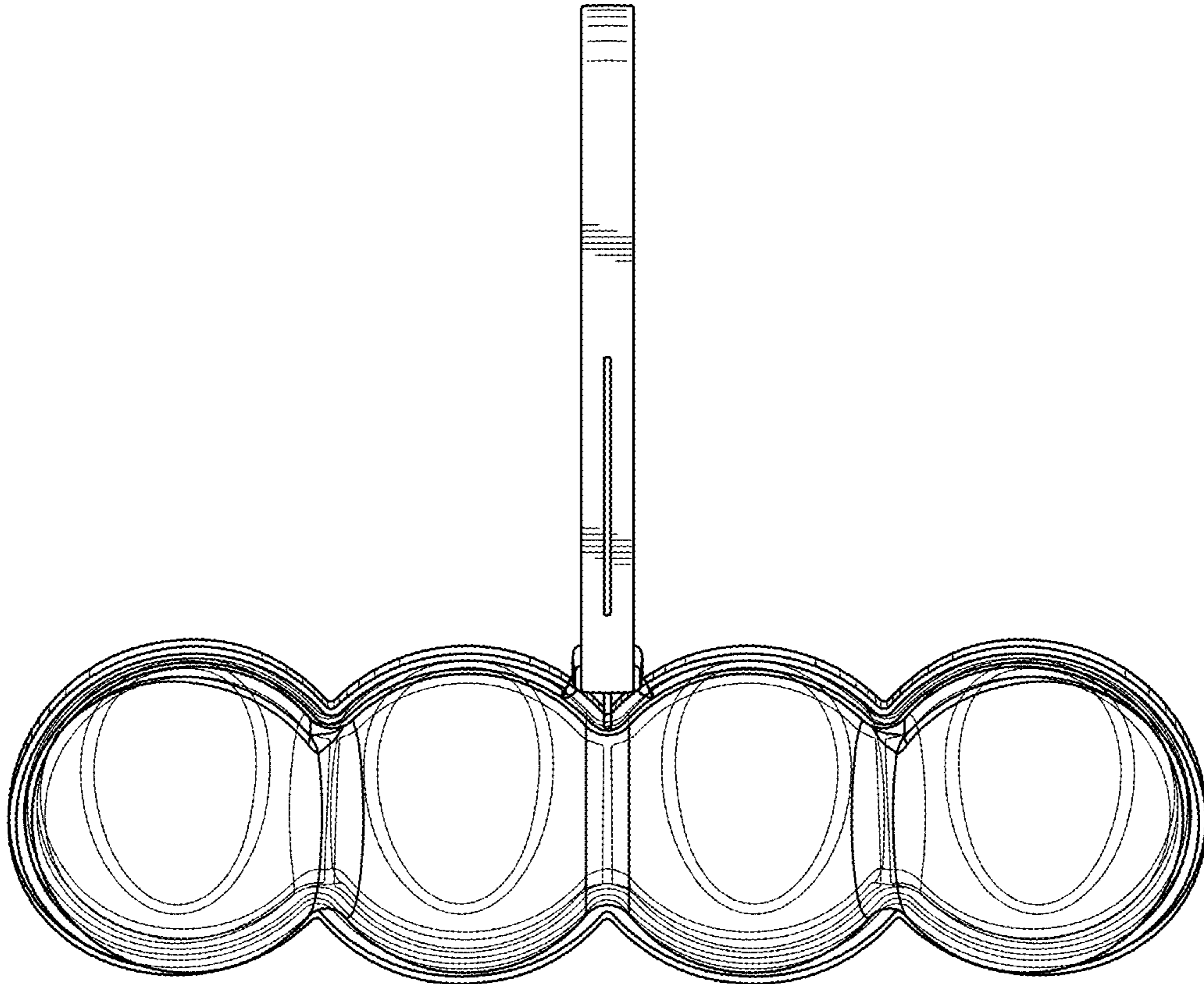


FIG.3

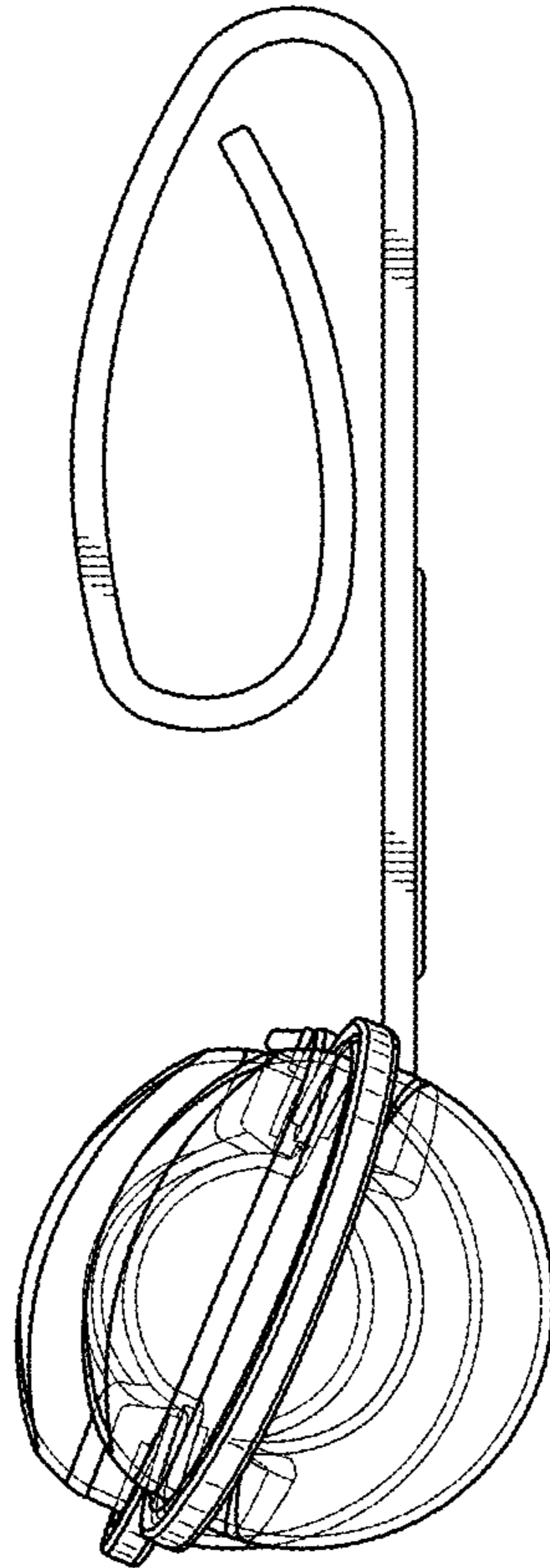


FIG.4

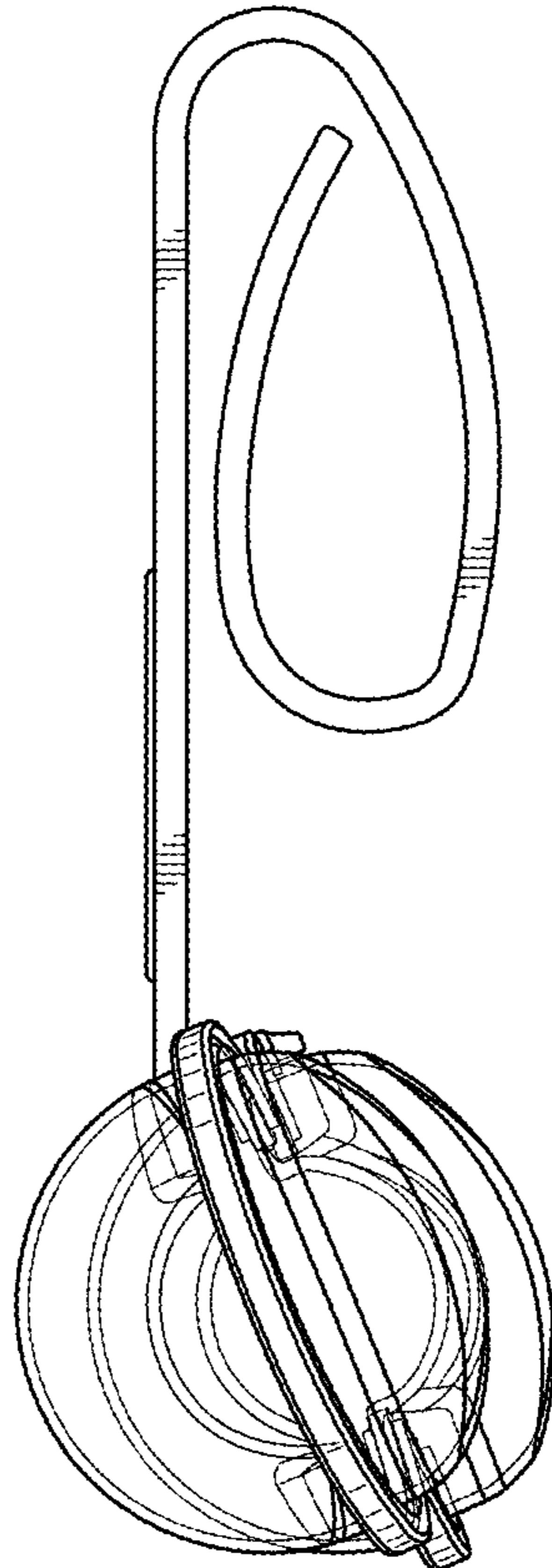


FIG.5

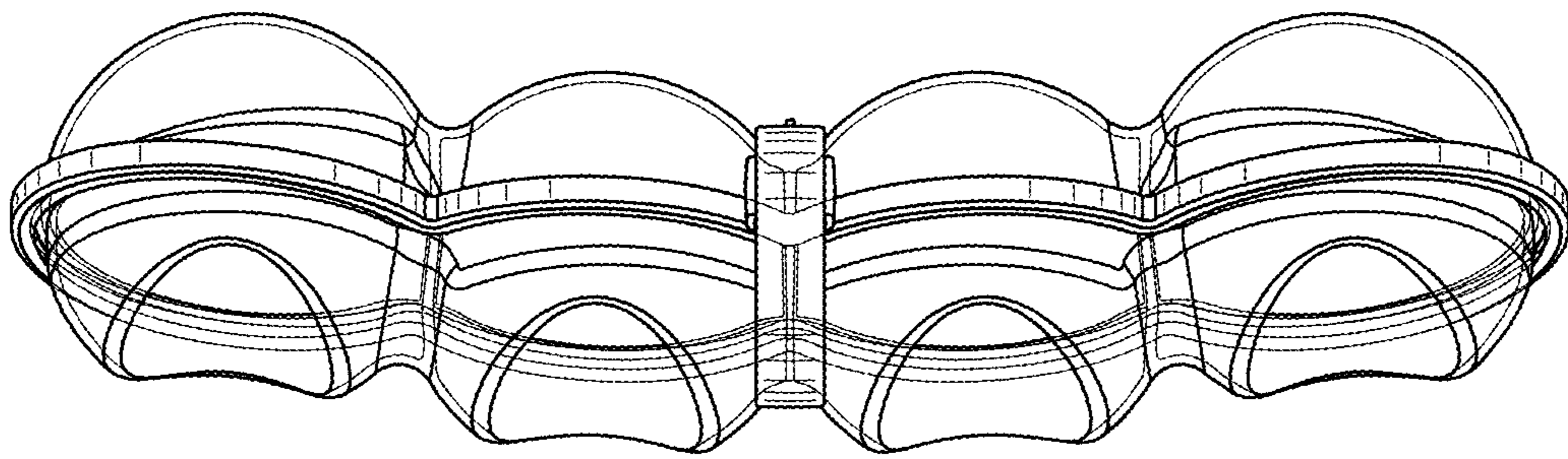


FIG.6



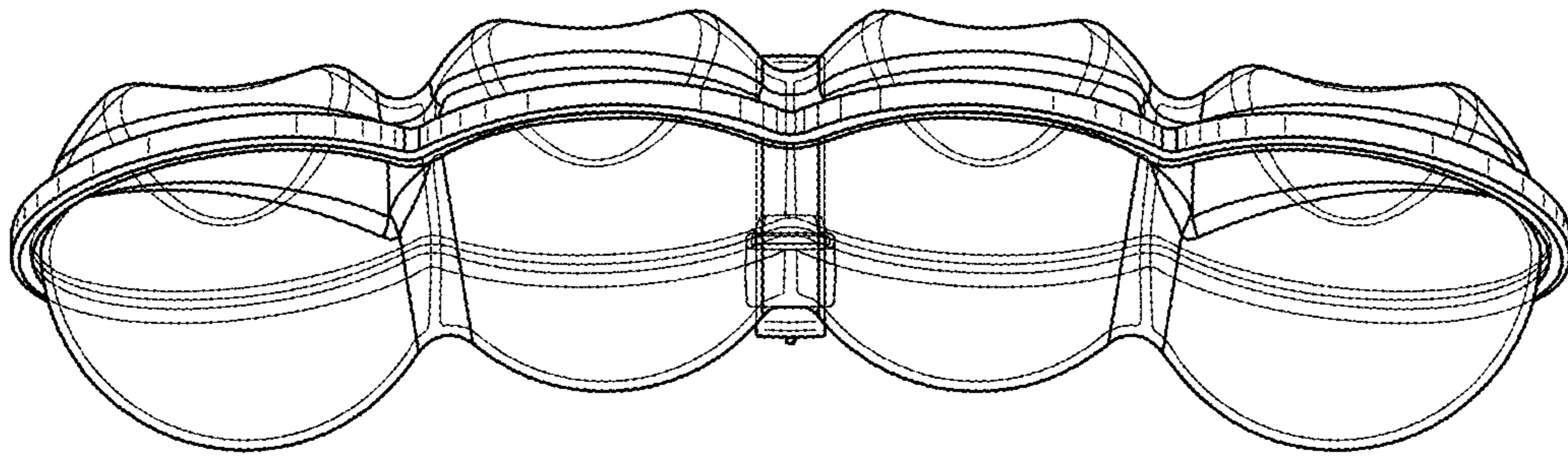


FIG.7

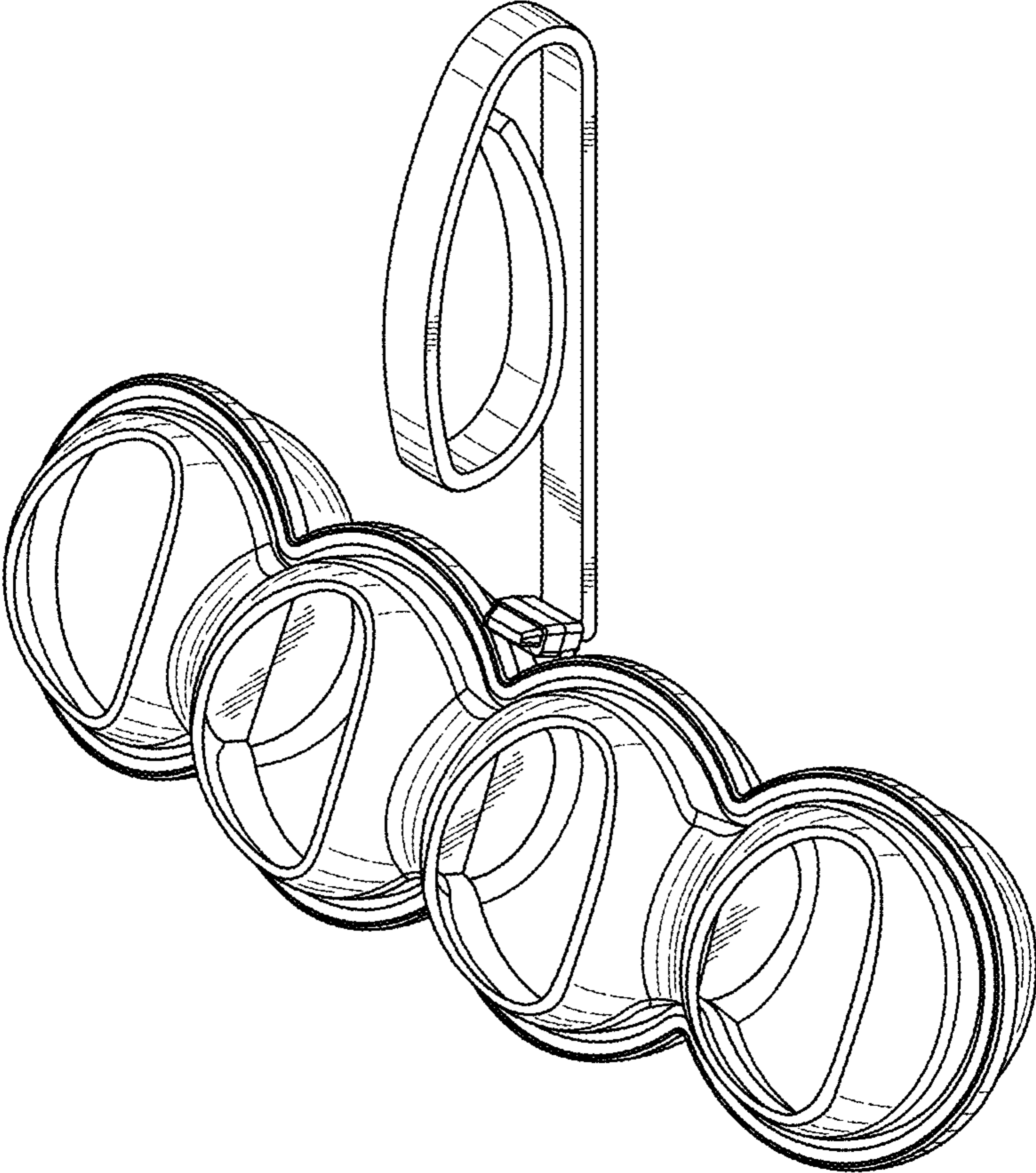


FIG.8

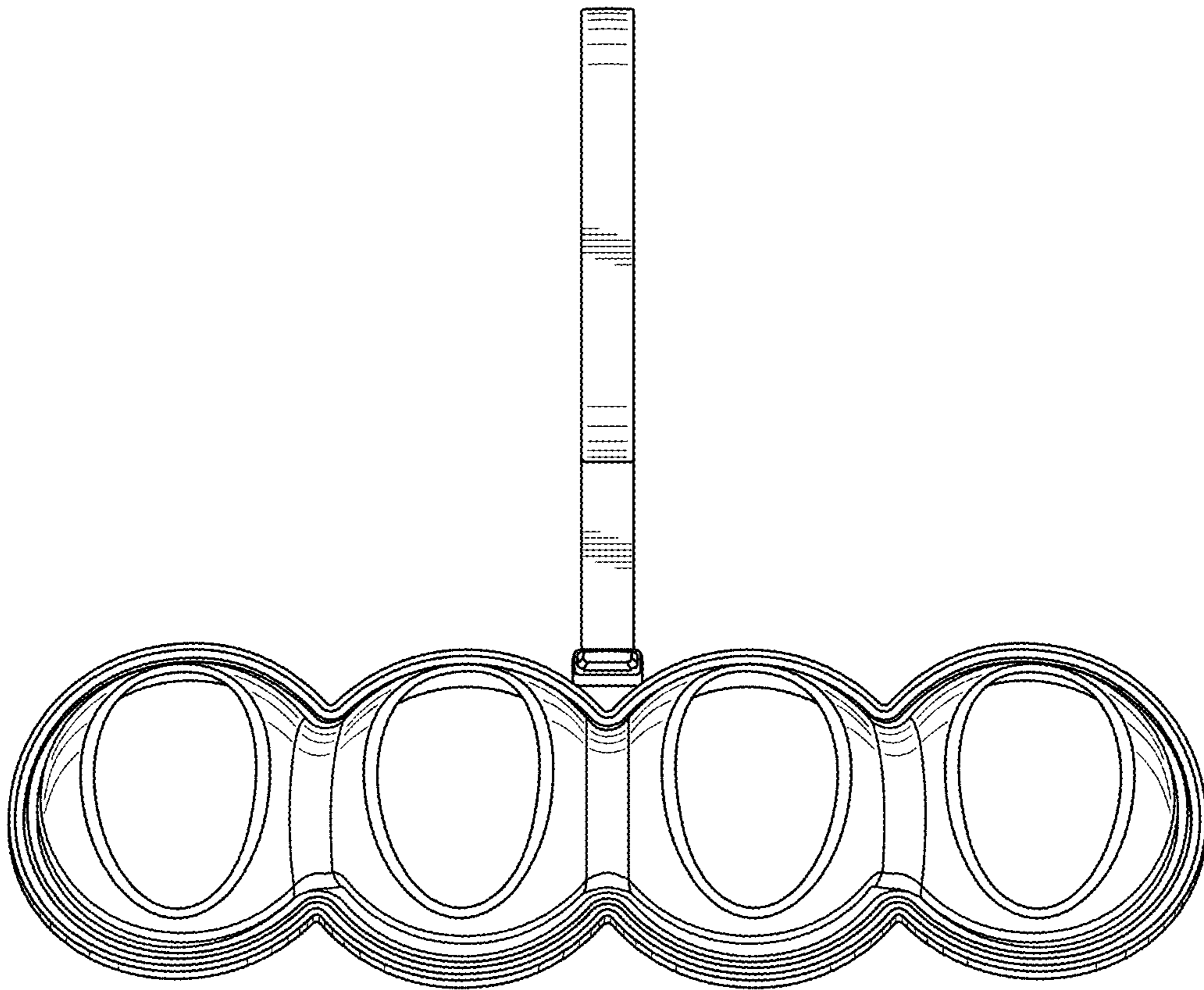


FIG.9

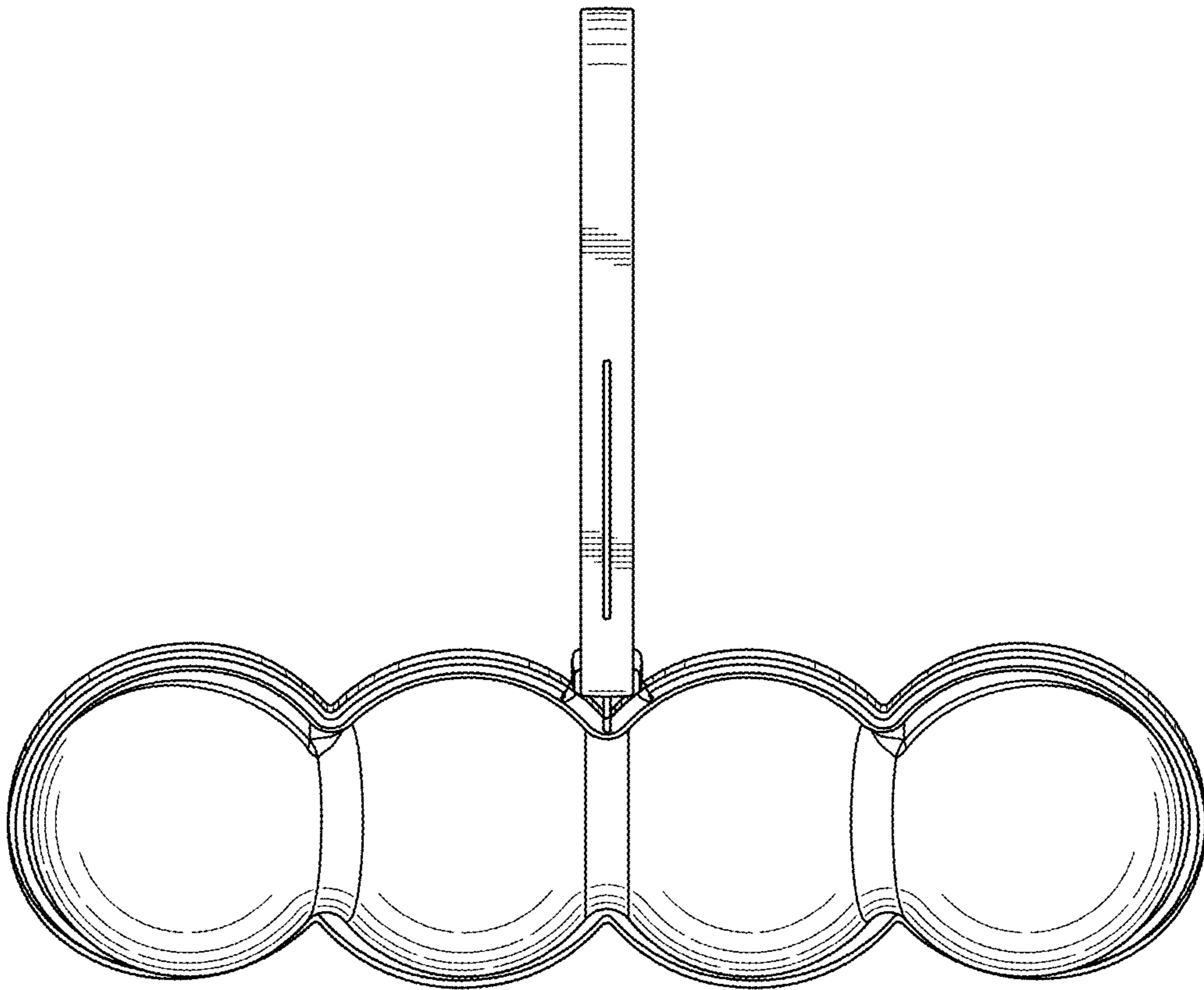


FIG.10

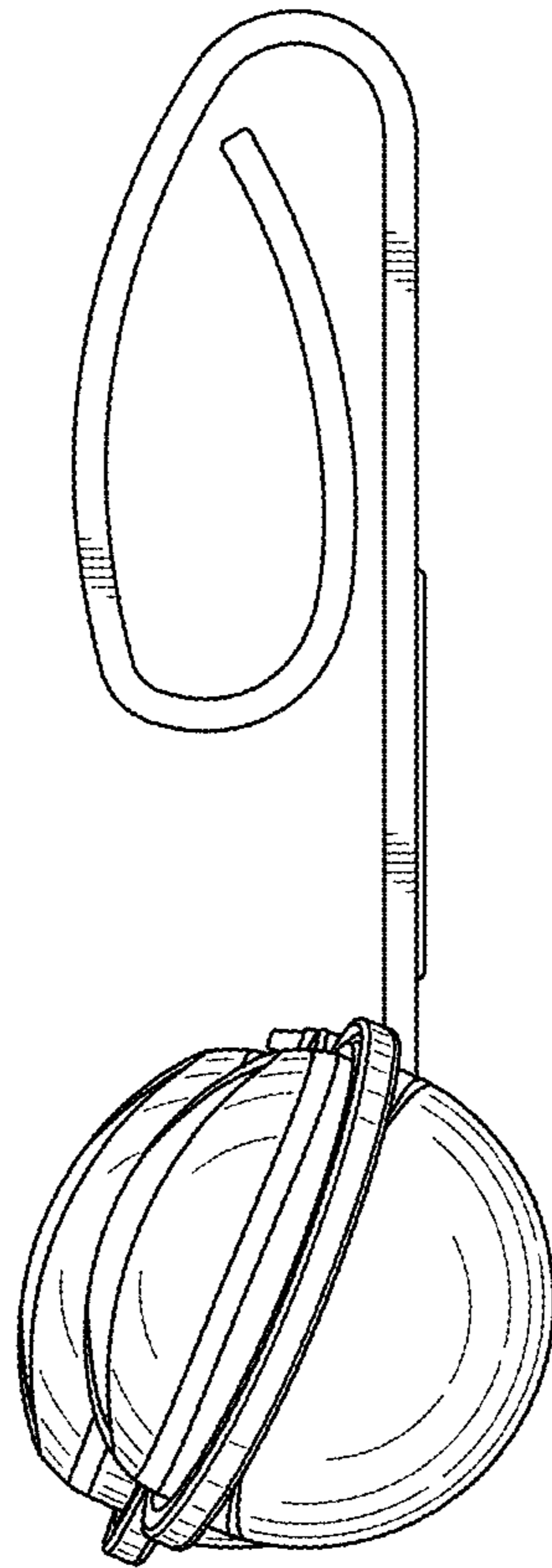


FIG.11

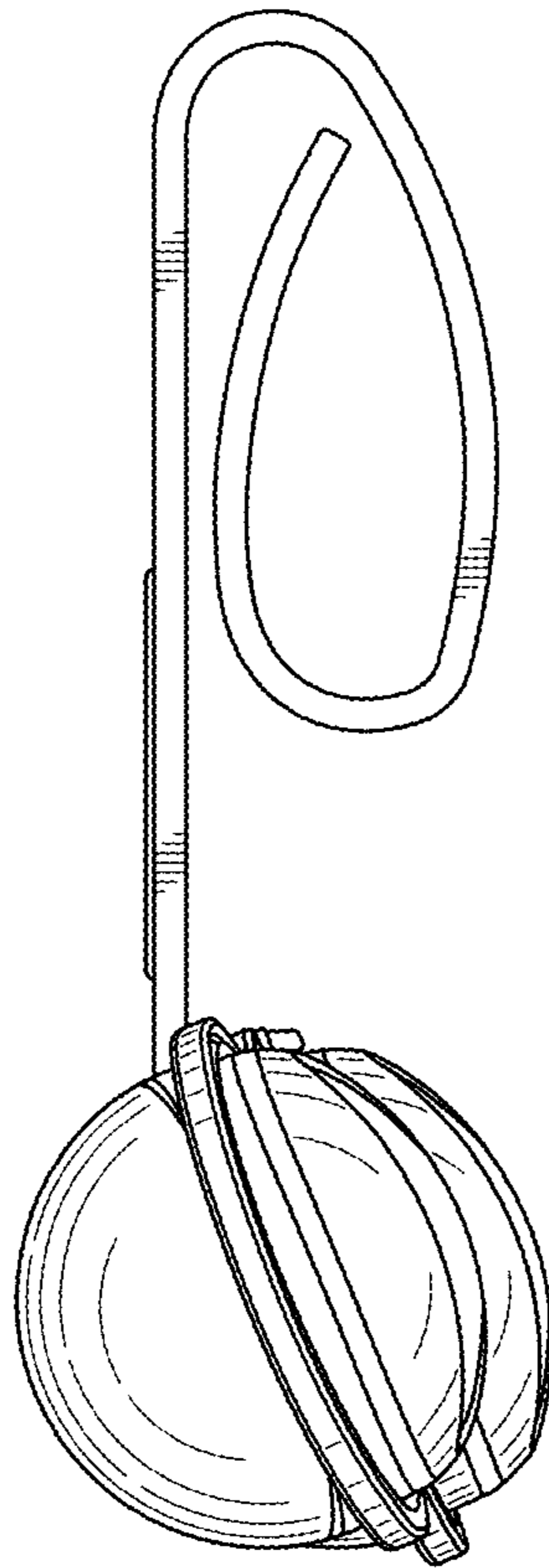


FIG.12

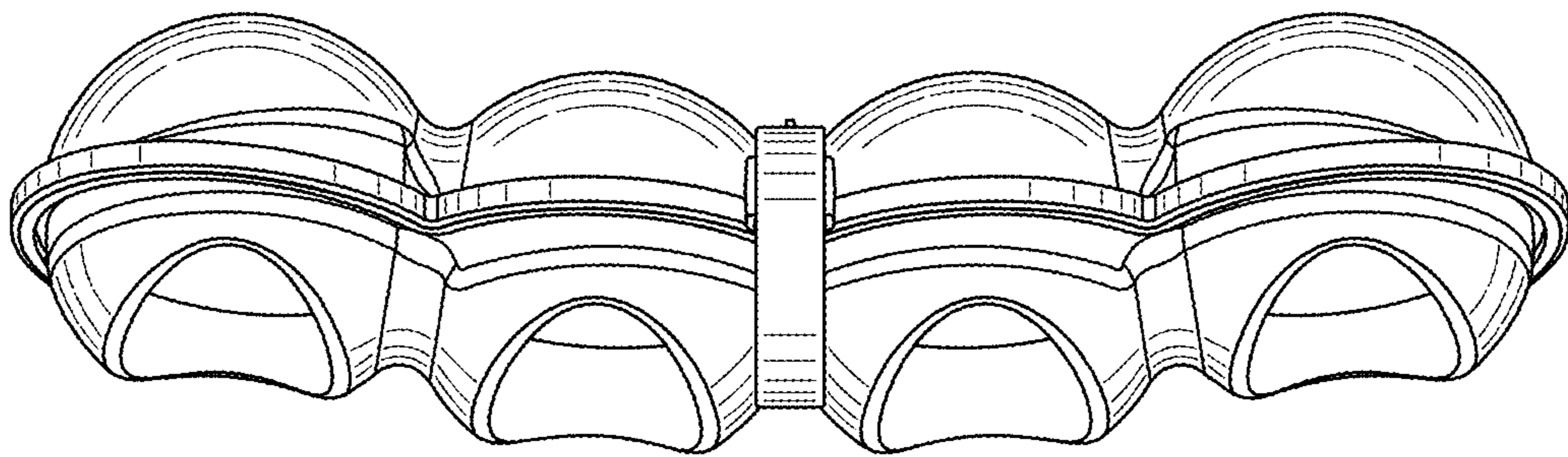


FIG.13

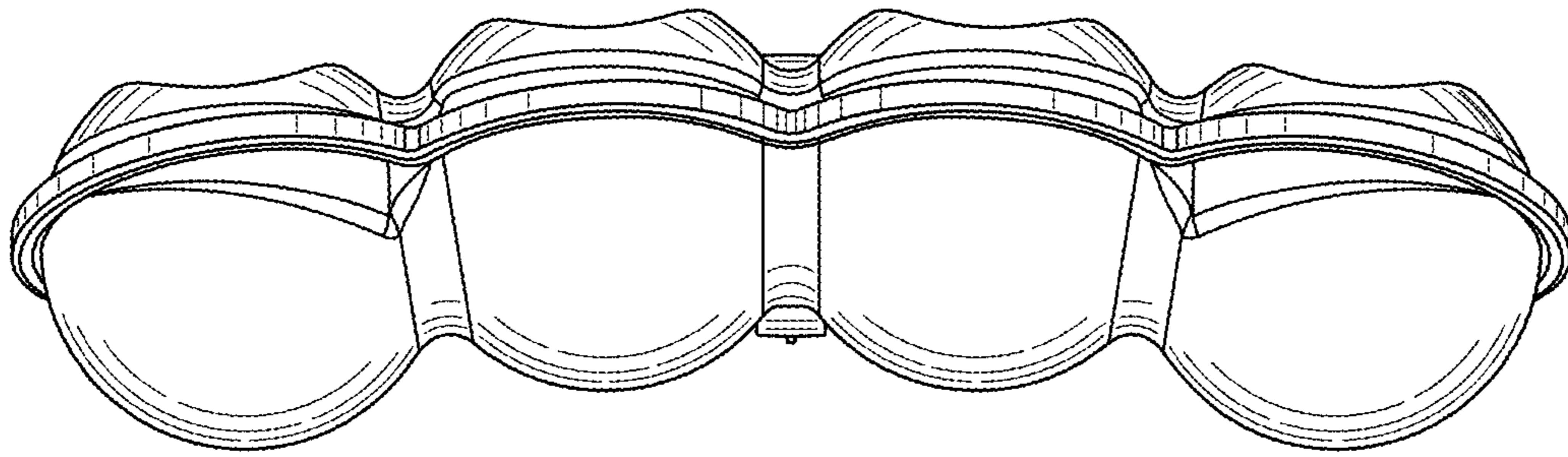


FIG.14