



US00D899561S

(12) **United States Design Patent** (10) **Patent No.:** **US D899,561 S**
Babanova et al. (45) **Date of Patent:** **** Oct. 20, 2020**

(54) **BIOELECTROCHEMICAL REACTOR**

(56) **References Cited**

(71) Applicant: **AQUACYCL LLC**, San Diego, CA (US)

U.S. PATENT DOCUMENTS

(72) Inventors: **Sofia Malinova Babanova**, San Diego, CA (US); **Orianna Bretschger**, San Diego, CA (US); **Carlo Abraham Angulo Rodriguez**, Lakeside, CA (US); **Jaime Octavio García Cornejo**, La Mesa, CA (US)

D236,463 S	8/1975	Giovagnoli
4,978,429 A	12/1990	Sears et al.
D357,056 S	4/1995	Linton et al.
D758,527 S	6/2016	Quiblier et al.
D771,769 S	11/2016	Pin
D875,208 S *	2/2020	Babanova D23/207

(Continued)

(73) Assignee: **AQUACYCL LLC**, San Diego, CA (US)

AquamTechnologies_SBIO'18, posted at youtube.com, posted Apr. 19, 2018, online, URL:https://www.youtube.com/watch?v=Sp795_Erp4c (Year: 2018).

(**) Term: **15 Years**

Primary Examiner — Lilyana Bekic

(21) Appl. No.: **29/718,736**

Assistant Examiner — Mary Shannon Malley

(22) Filed: **Dec. 27, 2019**

(74) *Attorney, Agent, or Firm* — Perkins Coie LLP

OTHER PUBLICATIONS

Related U.S. Application Data

(62) Division of application No. 29/658,500, filed on Jul. 31, 2018, now Pat. No. Des. 875,207.

(51) **LOC (12) Cl.** **23-01**

(52) **U.S. Cl.**

USPC **D23/207**

(58) **Field of Classification Search**

USPC D24/216, 219, 223, 224, 227, 229, 230, D24/231, 232, 233, 234, 107, 186, 217, D24/220, 225, 226; D10/81, 97; D23/207-209; 210/435, 241, 266, 80, 210/232

CPC G01N 2035/00306; G01N 2035/00326; G01N 2035/00336; G01N 33/53; G01N 33/5302; G01N 33/569; B01L 7/52; C02F 11/00; C02F 11/006; C02F 3/00; C02F 3/05; C02F 3/06; C02F 3/025; C02F 2003/001; C02F 2003/008; E03F 5/14

See application file for complete search history.

(57) **CLAIM**

The ornamental design for a bioelectrochemical reactor, as shown and described.

DESCRIPTION

FIG. 1 is a perspective view of a bioelectrochemical reactor showing the new design;

FIG. 2 is a side view of the bioelectrochemical reactor of FIG. 1;

FIG. 3 is a side view of the bioelectrochemical reactor of FIG. 1 opposite the side view shown in FIG. 2;

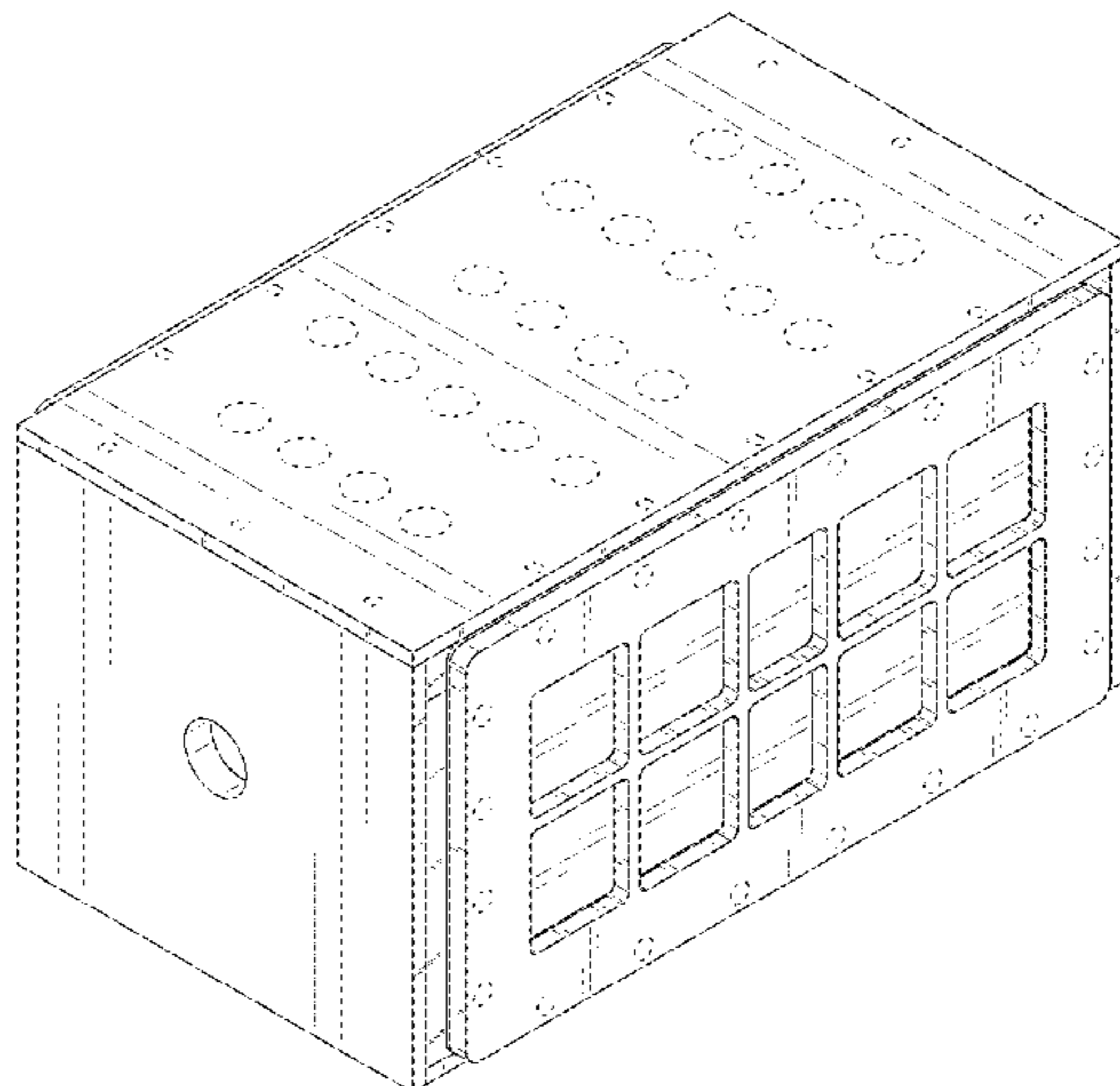
FIG. 4 is an end view of the bioelectrochemical reactor of FIG. 1;

FIG. 5 is an end view of the bioelectrochemical reactor of FIG. 1 opposite the end view shown in FIG. 4;

FIG. 6 is a top view of the bioelectrochemical reactor of FIG. 1; and,

FIG. 7 is a bottom view of the bioelectrochemical reactor of FIG. 1.

(Continued)



The broken lines depict portions of the bioelectrochemical reactor that form no part of the claimed design.

1 Claim, 7 Drawing Sheets

(56) **References Cited**

U.S. PATENT DOCUMENTS

10,570,039	B2 *	2/2020	Bretschger	H01M 8/24
2004/0045899	A1	3/2004	Humphrey et al.	
2004/0060857	A1	4/2004	Pattee	
2012/0093692	A1	4/2012	Blomberg et al.	
2016/0083952	A1	3/2016	Lee	
2016/0115062	A1	4/2016	Krieger	
2017/0275193	A1	9/2017	Graves	
2017/0342698	A1	11/2017	Fink et al.	
2020/0002200	A1 *	1/2020	Bretschger	H01M 8/16
2020/0036029	A1 *	1/2020	Babanova	H01M 4/96

* cited by examiner

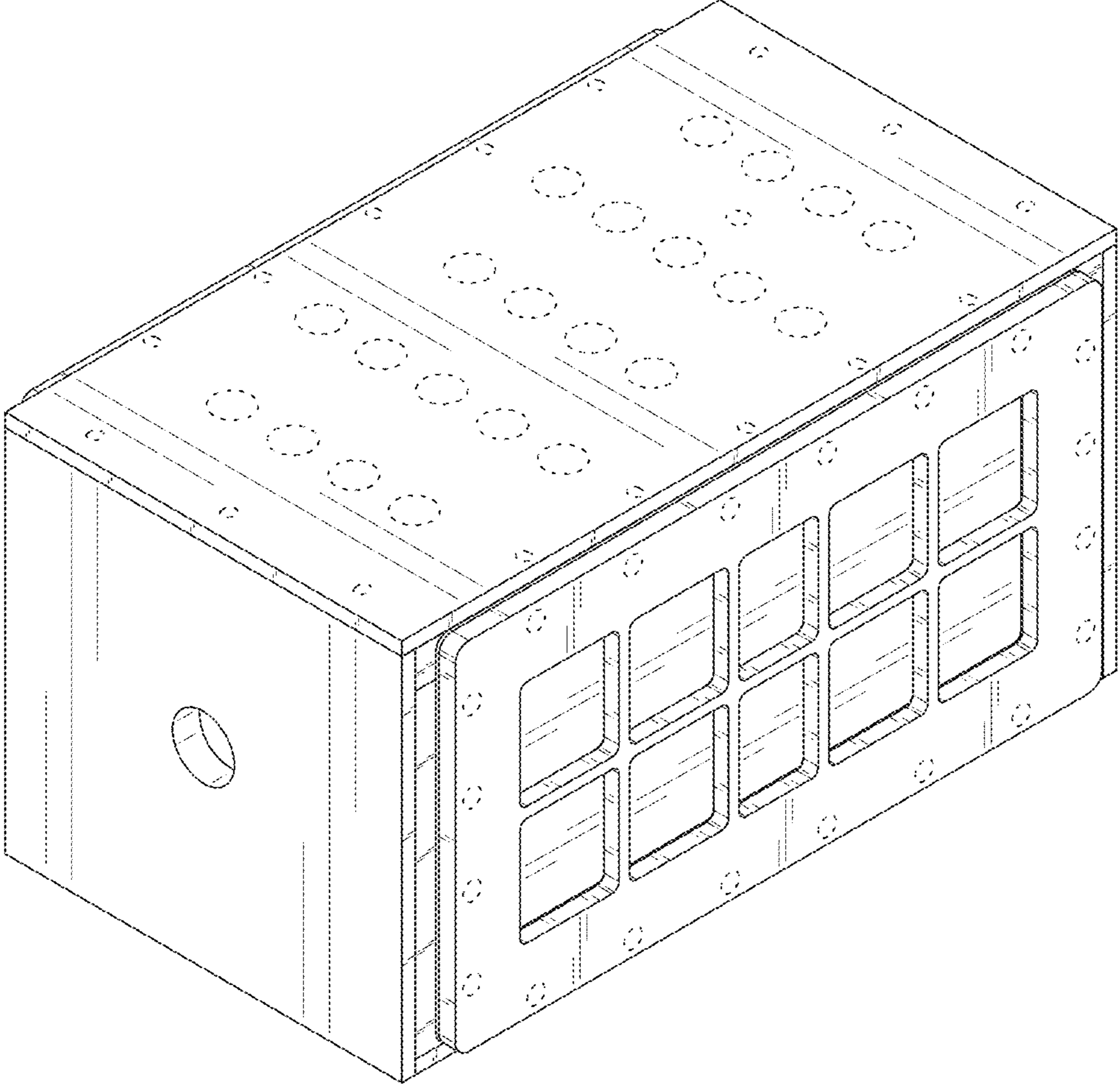


FIG. 1

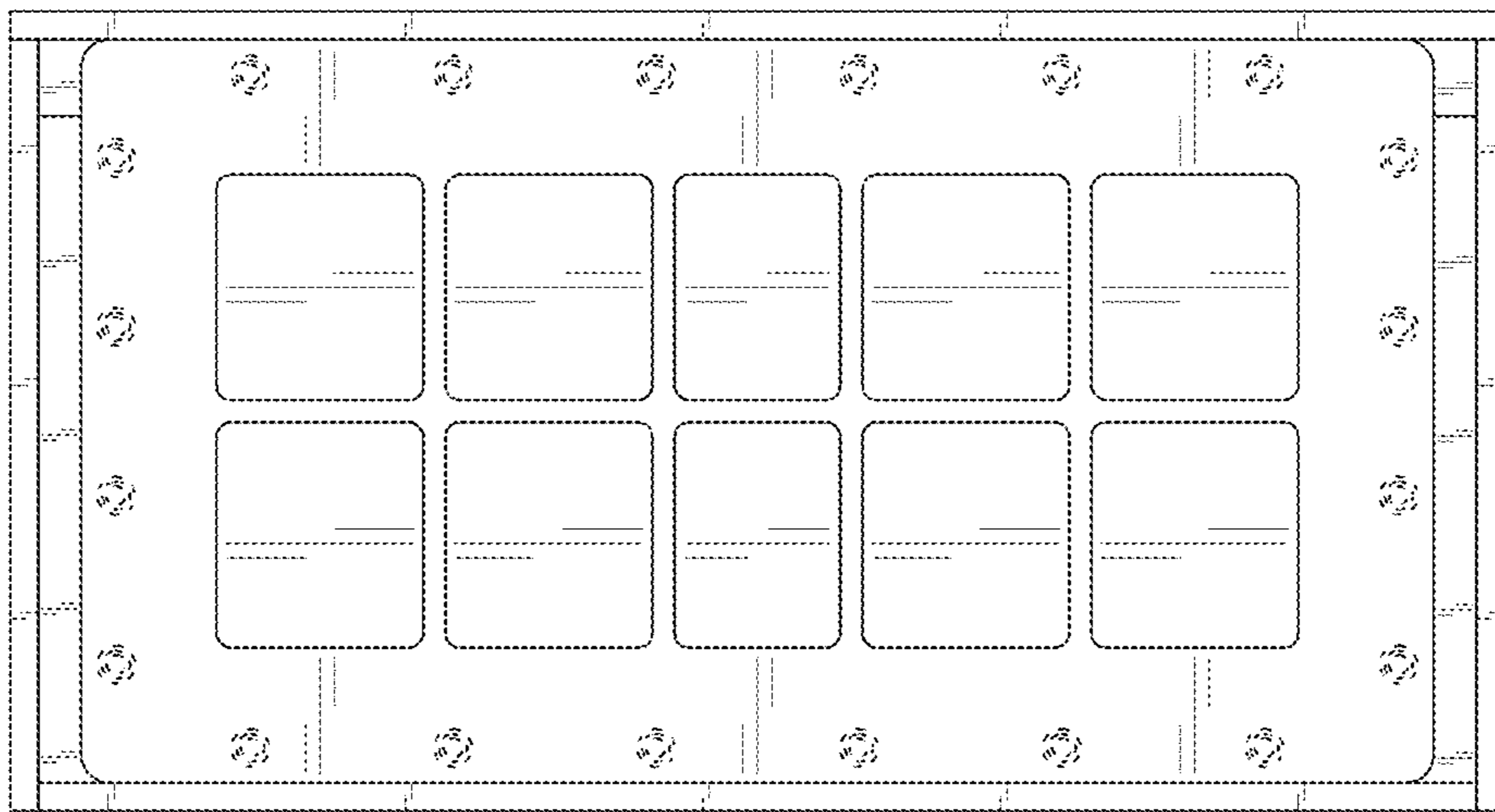


FIG. 2

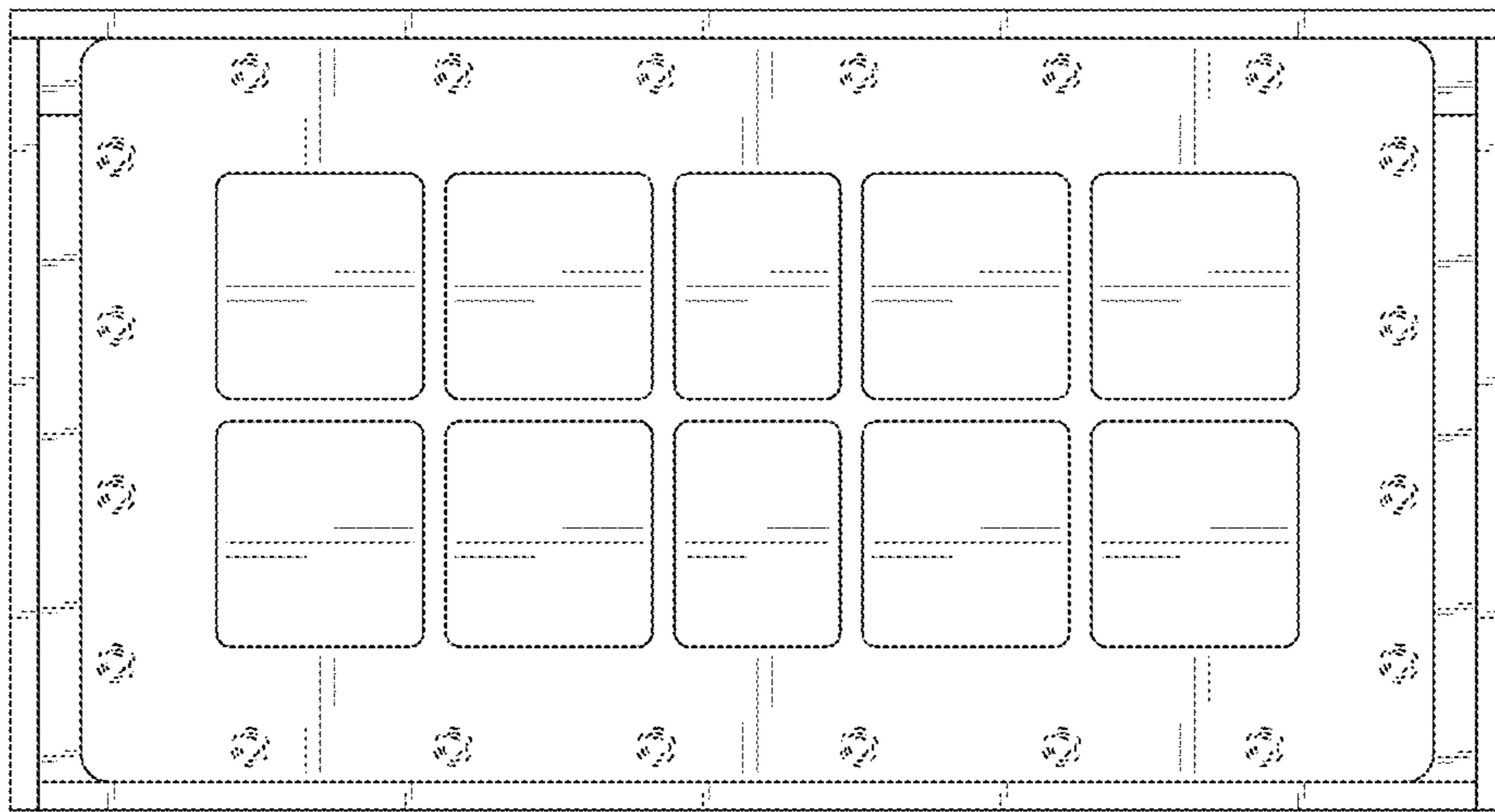


FIG. 3

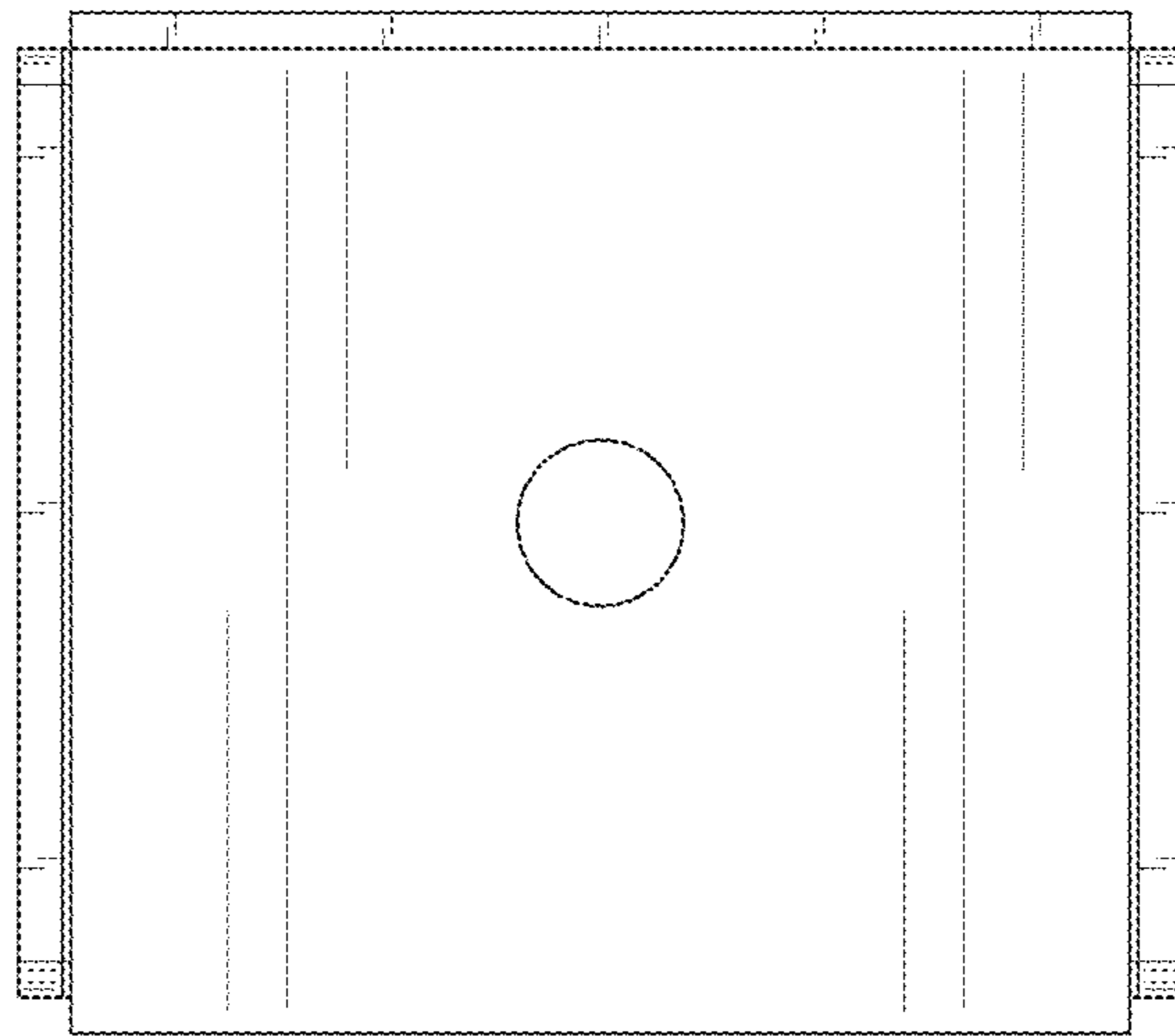


FIG. 4

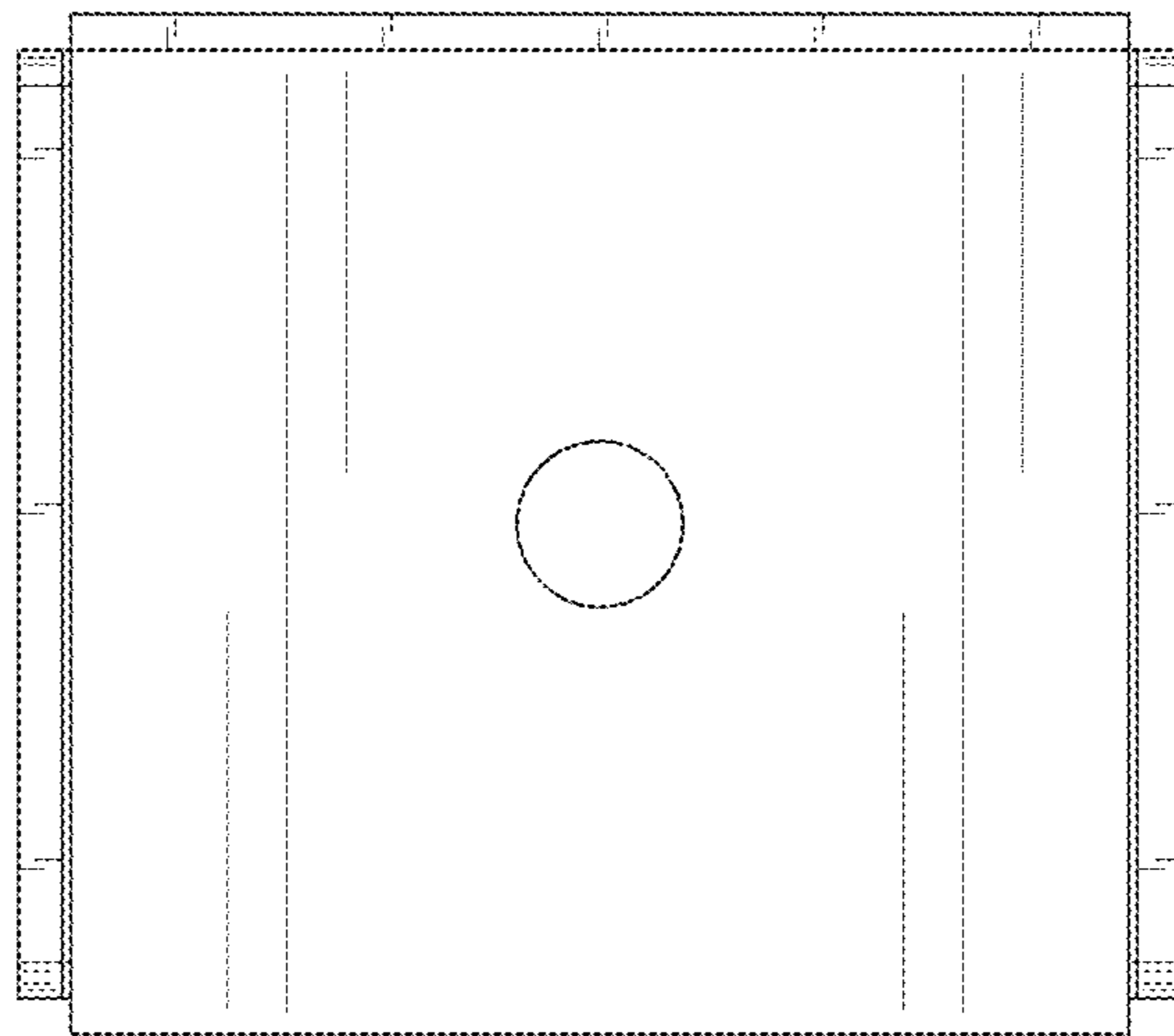


FIG. 5

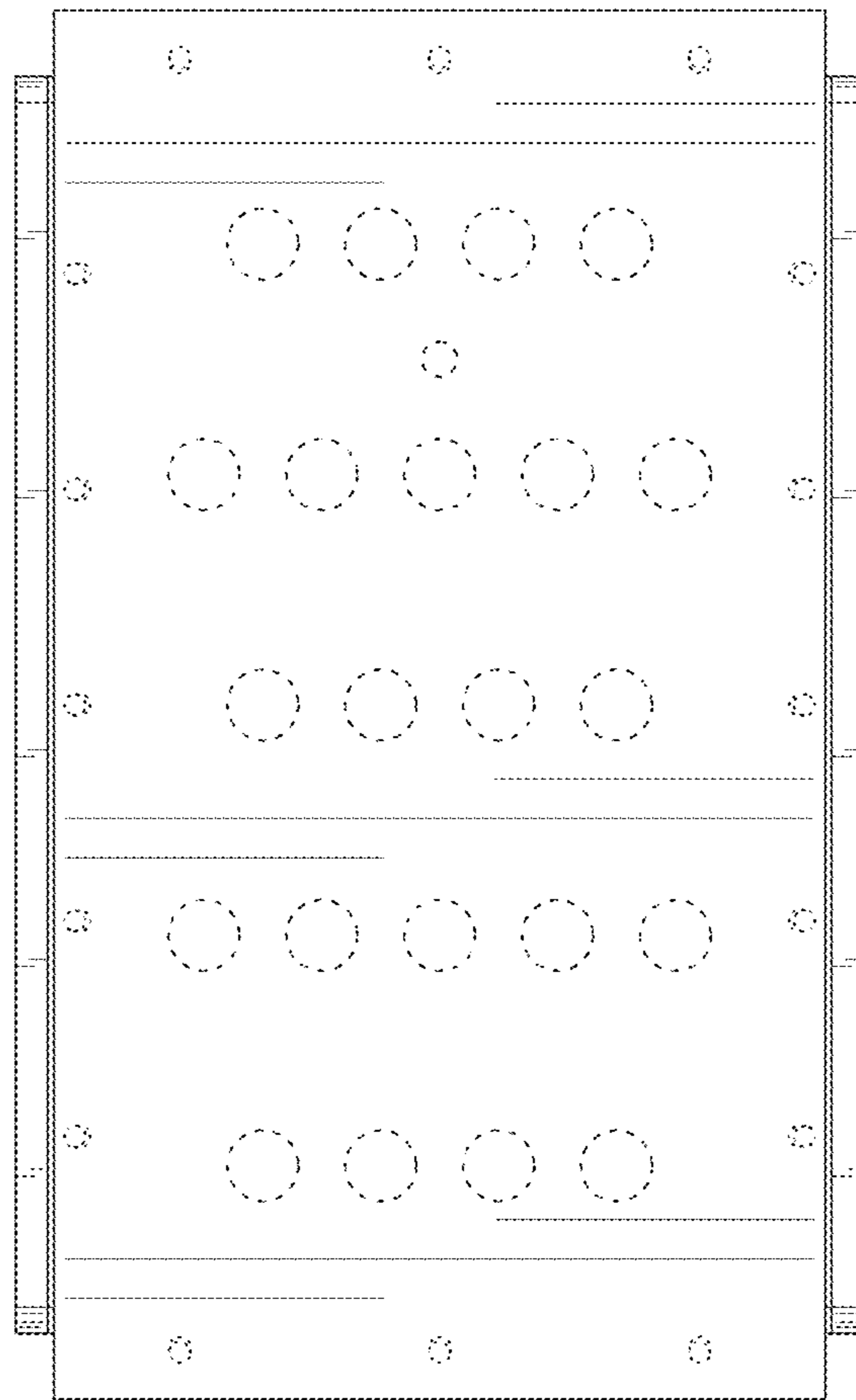


FIG. 6

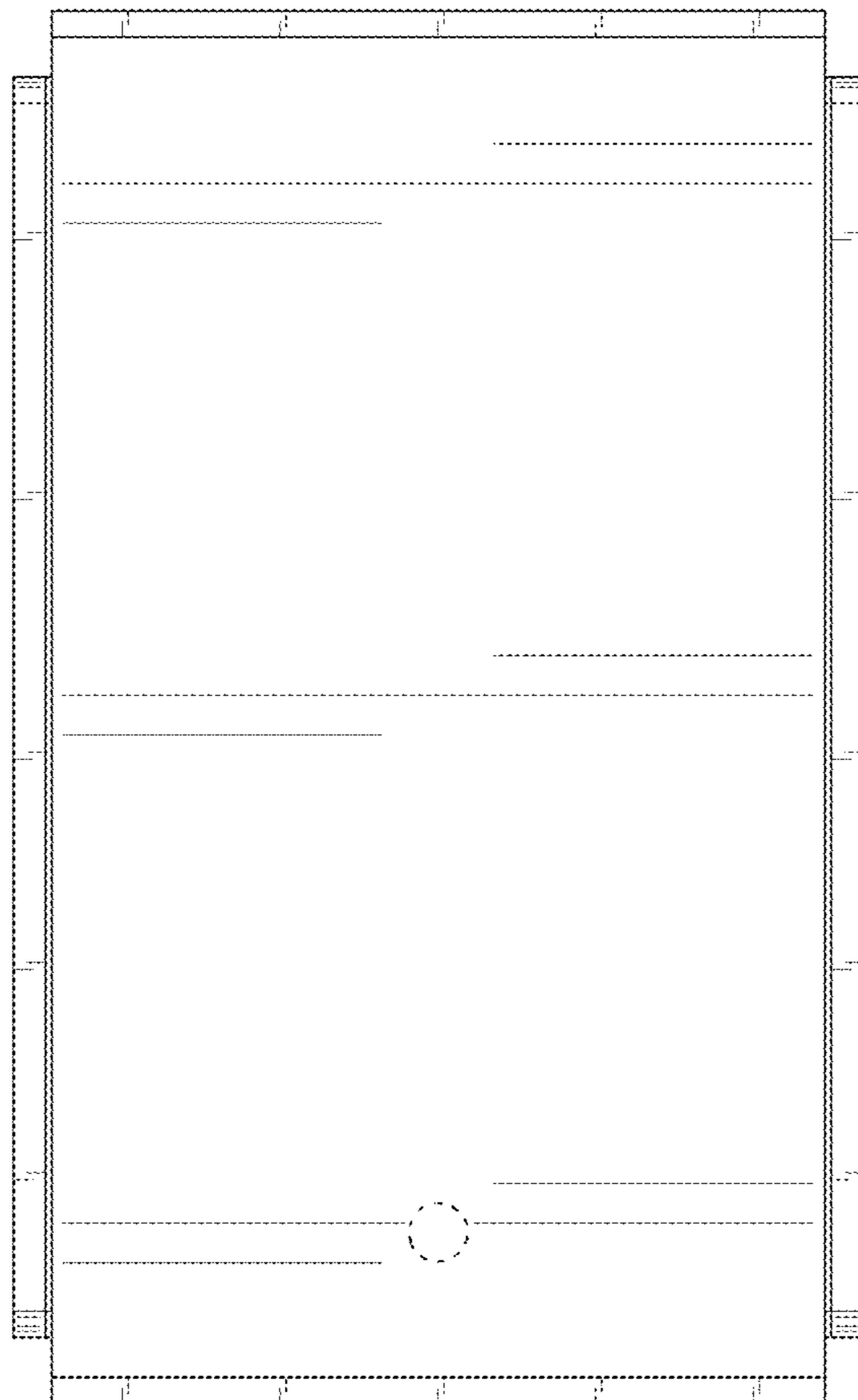


FIG. 7