



US00D899560S

(12) **United States Design Patent**
Kawasaki et al.

(10) **Patent No.:** **US D899,560 S**

(45) **Date of Patent:** **** Oct. 20, 2020**

(54) **UNIT FOR ION GENERATOR**

(71) Applicant: **Panasonic Intellectual Property Management Co., Ltd., Osaka (JP)**

(72) Inventors: **Motoji Kawasaki, Shiga (JP); Kouiti Hirai, Shiga (JP)**

(73) Assignee: **Panasonic Intellectual Property Management Co., Ltd., Osaka (JP)**

(**) Term: **15 Years**

(21) Appl. No.: **29/687,987**

(22) Filed: **Apr. 17, 2019**

(30) **Foreign Application Priority Data**

Nov. 6, 2018 (JP) 2018-024332
Nov. 6, 2018 (JP) 2018-024333

(51) **LOC (12) Cl.** **23-01**

(52) **U.S. Cl.**
USPC **D23/207**

(58) **Field of Classification Search**
USPC D23/207, 209, 355, 356, 358, 359, 360,
D23/364, 366; D7/316, 505; D9/435,
D9/444, 504, 519, 529, 686; D11/131.1;
D28/89; D99/5
CPC . A61L 9/03; A61L 9/012; A61L 9/015; A61L
9/037; F41J 1/01
See application file for complete search history.

(56) **References Cited**

U.S. PATENT DOCUMENTS

D464,414 S * 10/2002 Sekoguchi D23/355
6,653,638 B2 * 11/2003 Fujii H01T 23/00
250/324
D513,070 S * 12/2005 Haranaka D23/355
D562,958 S * 2/2008 Feriani D23/366

D572,354 S * 7/2008 Tsuchiya D23/355
D643,091 S * 8/2011 Yasuoka D23/207
D806,828 S * 1/2018 Toshida D23/207
D843,547 S * 3/2019 Toshida D23/207
D848,572 S * 5/2019 Yasuoka D23/207
D868,233 S * 11/2019 Galbreath D23/364

* cited by examiner

Primary Examiner — Lakiya G Rogers

Assistant Examiner — John A Voytek

(74) *Attorney, Agent, or Firm* — Panasonic IP Management; Kerry S. Culpepper

(57) **CLAIM**

We claim the ornamental design for a unit for ion generator, as shown and described.

DESCRIPTION

FIG. 1 is a front perspective view of a unit for ion generator of the present invention;
FIG. 2 is a rear perspective view thereof;
FIG. 3 is a front view thereof;
FIG. 4 is a rear view thereof;
FIG. 5 is a first side view thereof;
FIG. 6 is a second side view thereof;
FIG. 7 is a top view thereof;
FIG. 8 is a bottom view thereof;
FIG. 9 is a front perspective view of a second embodiment of a unit for ion generator of the present invention;
FIG. 10 is a rear perspective view thereof;
FIG. 11 is a front view thereof;
FIG. 12 is a rear view thereof;
FIG. 13 is a first side view thereof;
FIG. 14 is a second side view thereof;
FIG. 15 is a top view thereof; and,
FIG. 16 is a bottom view thereof.

The broken lines shown represent unclaimed subject matter and form no part of the claimed design.

1 Claim, 16 Drawing Sheets

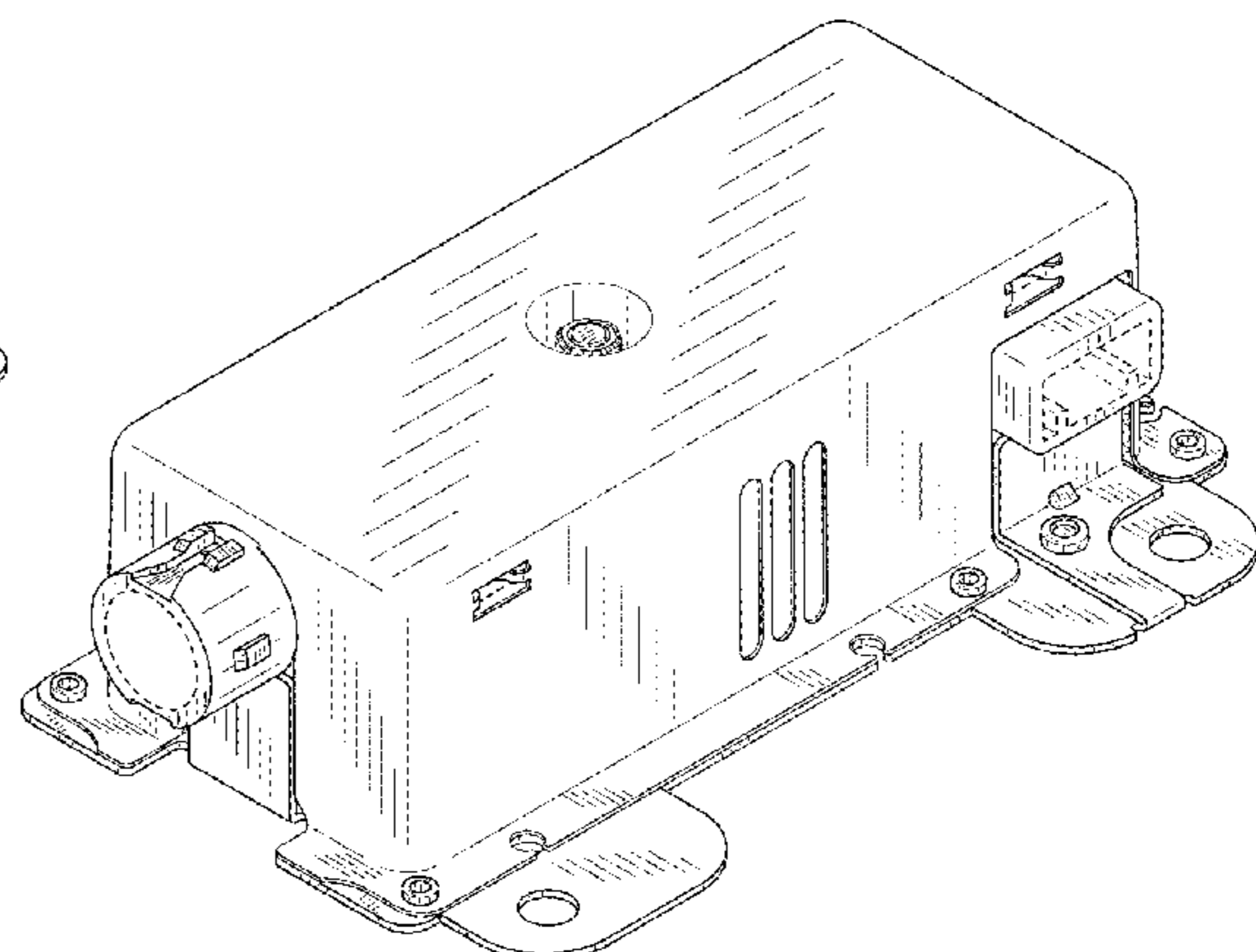
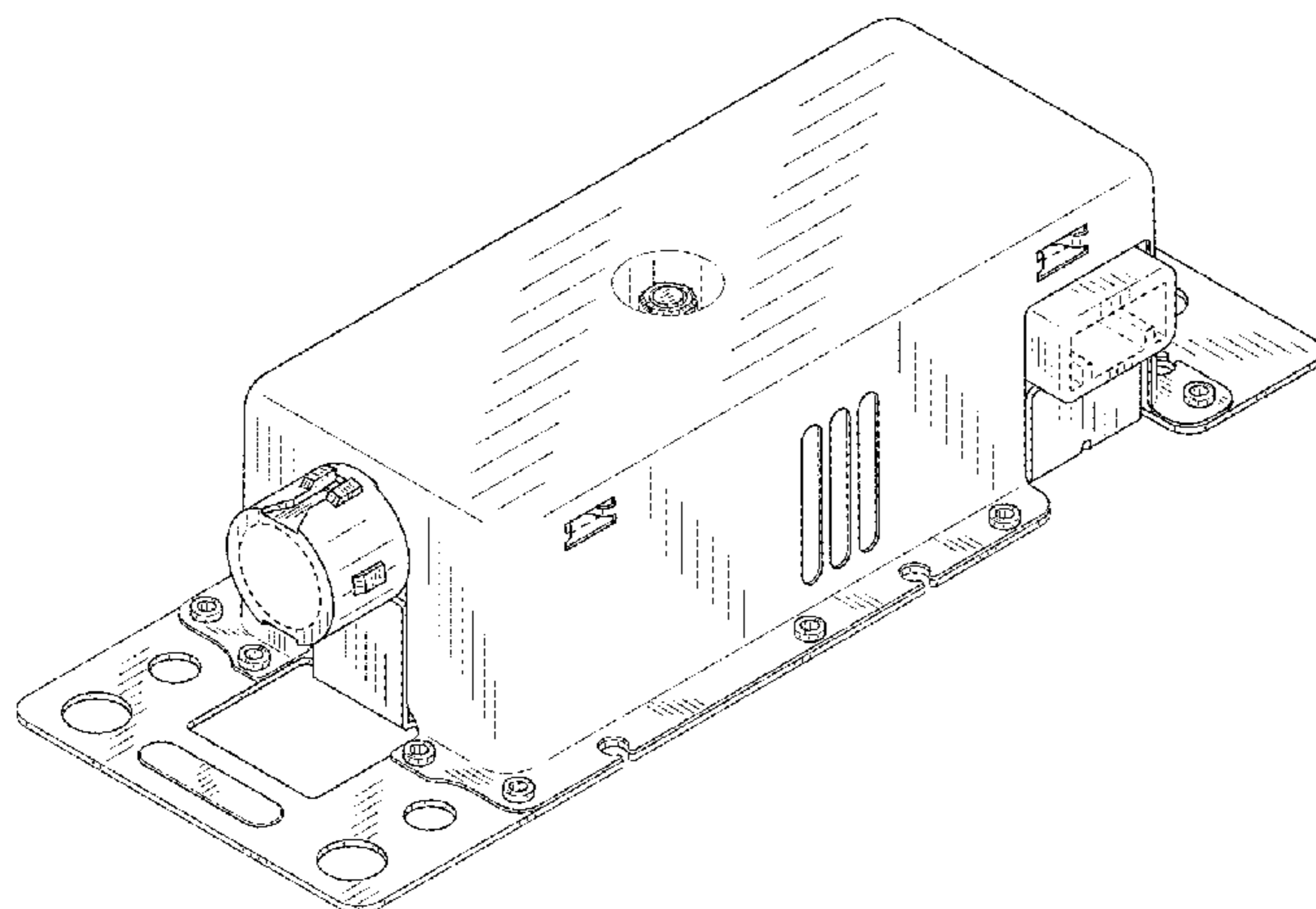


FIG. 1

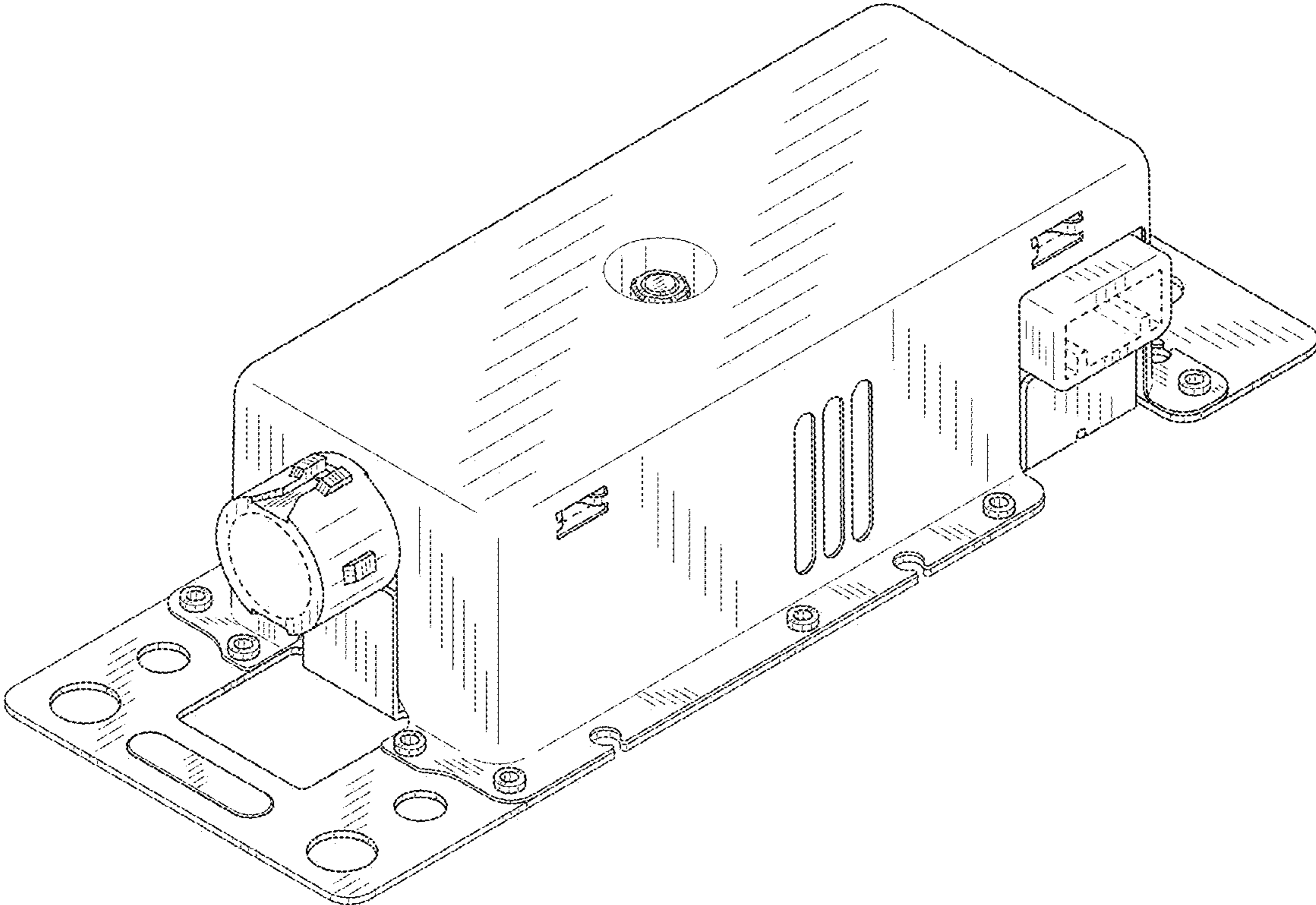


FIG. 2

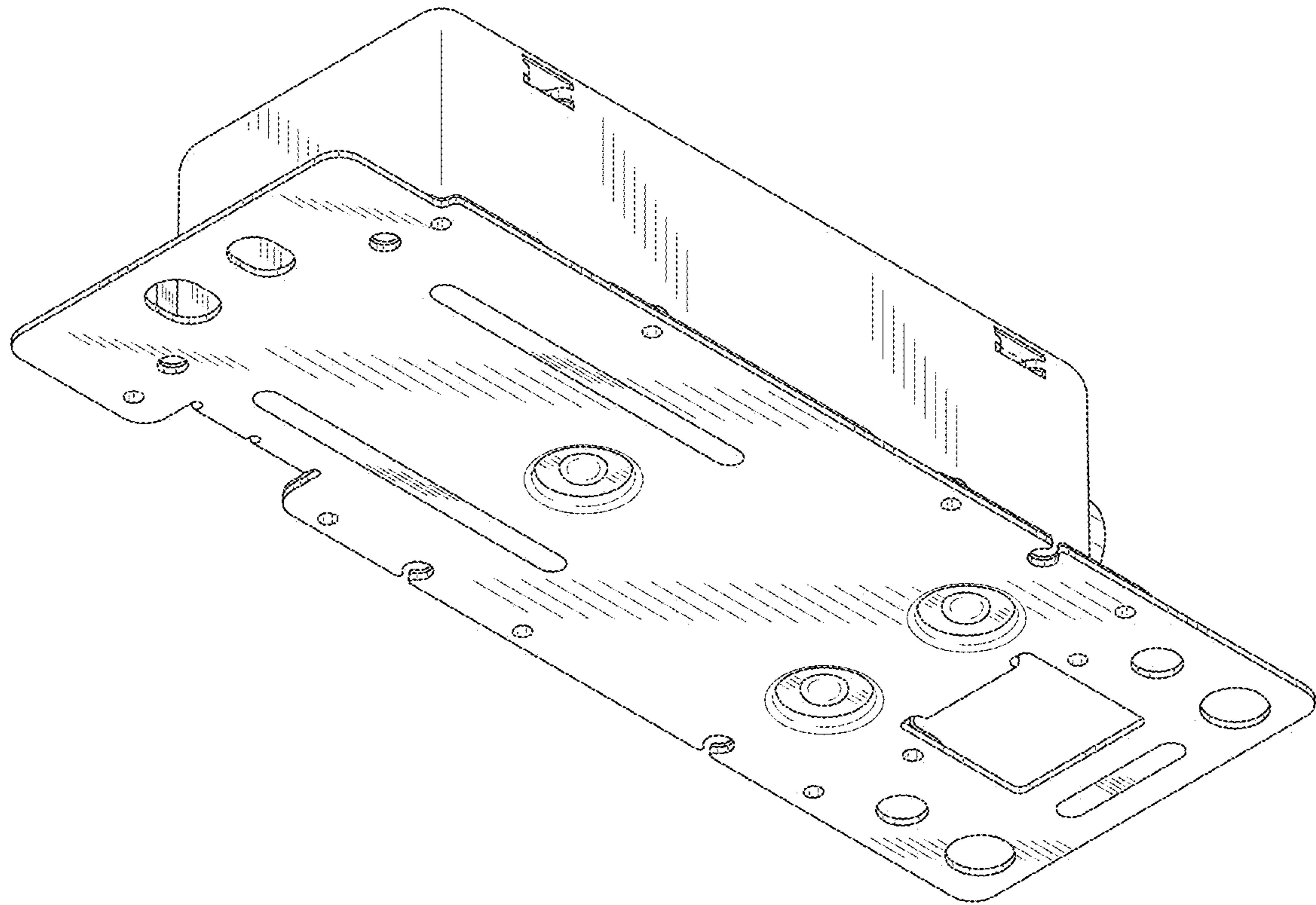


FIG. 3

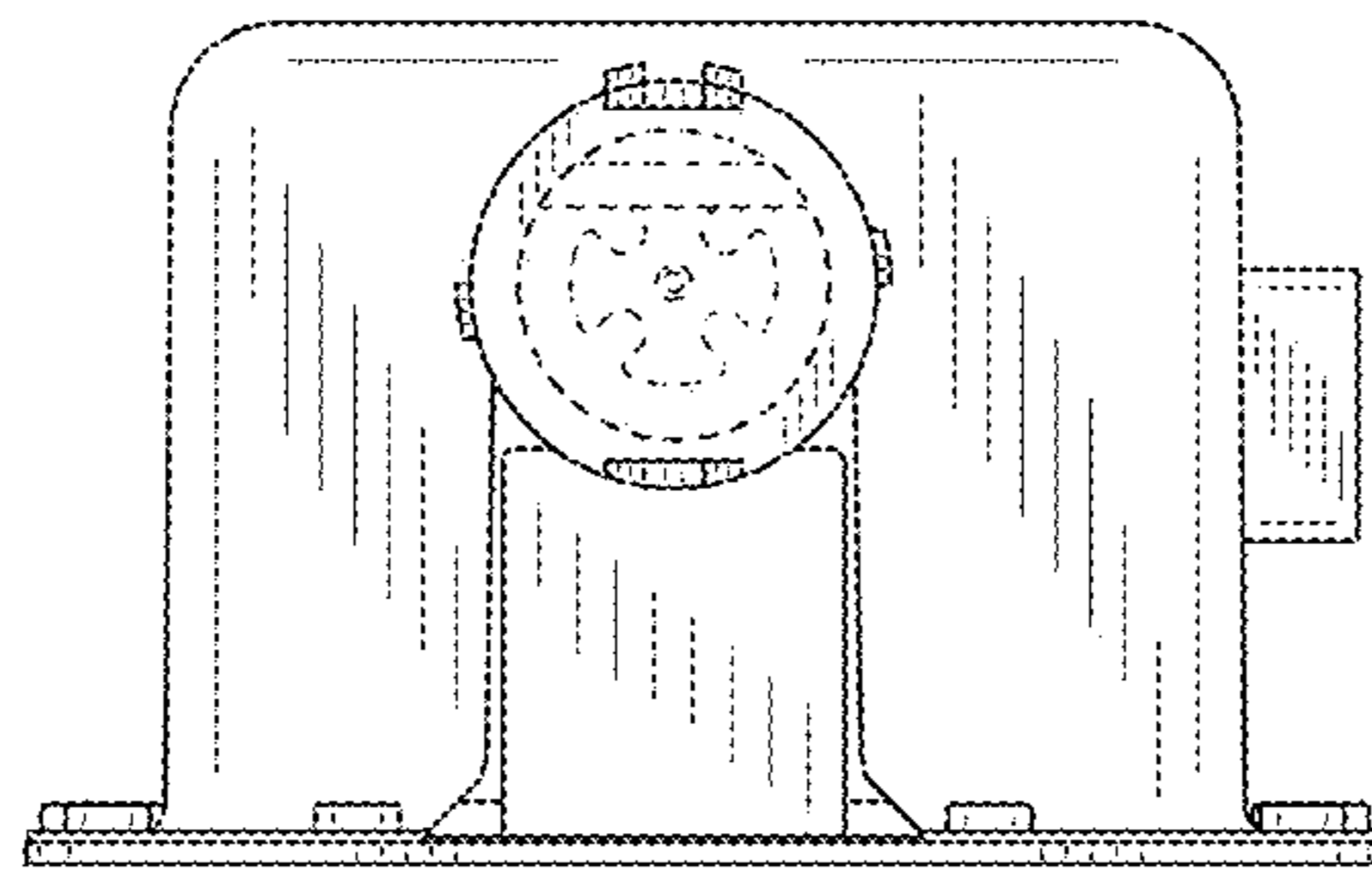


FIG. 4

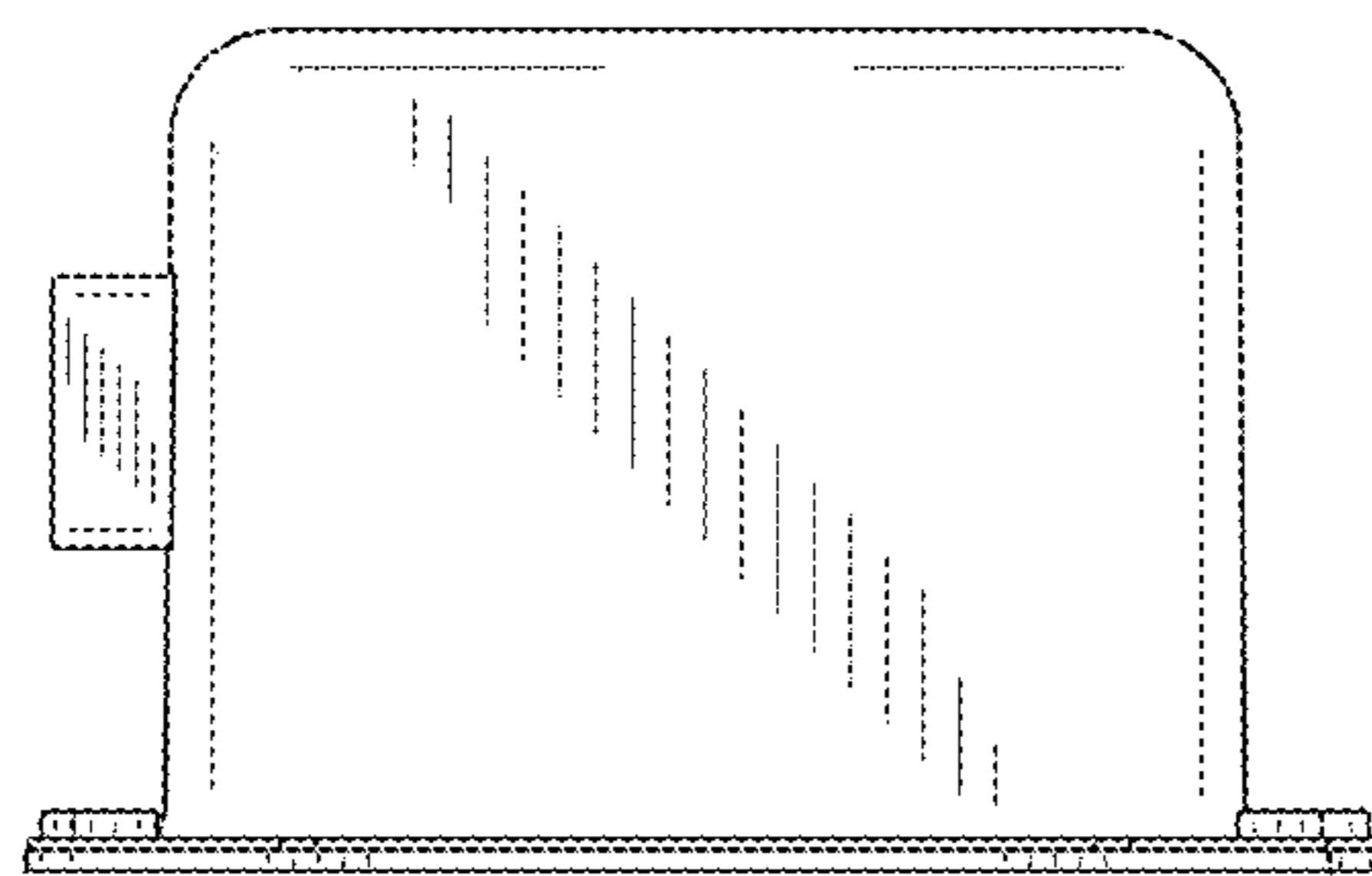


FIG. 5

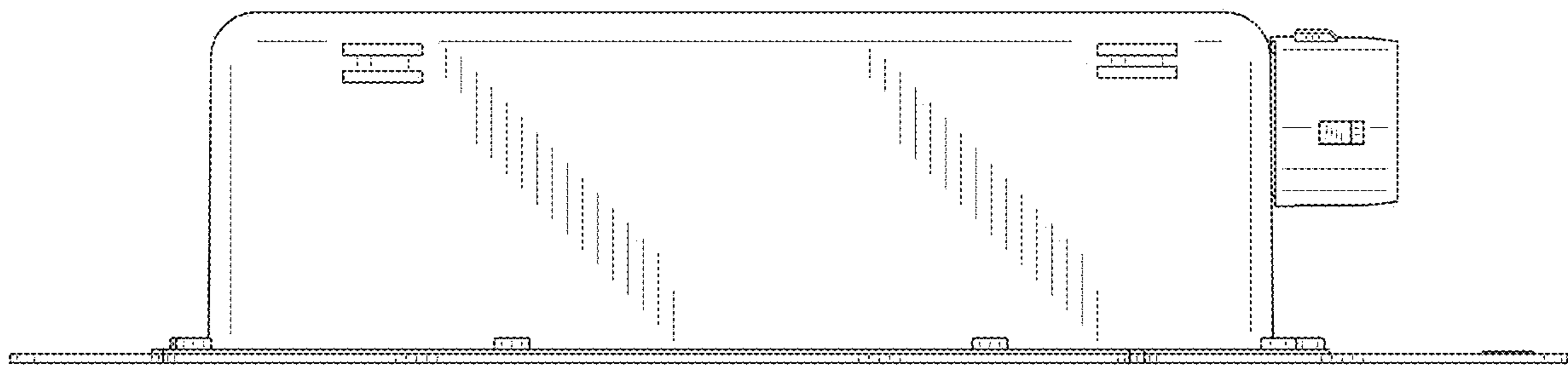


FIG. 6

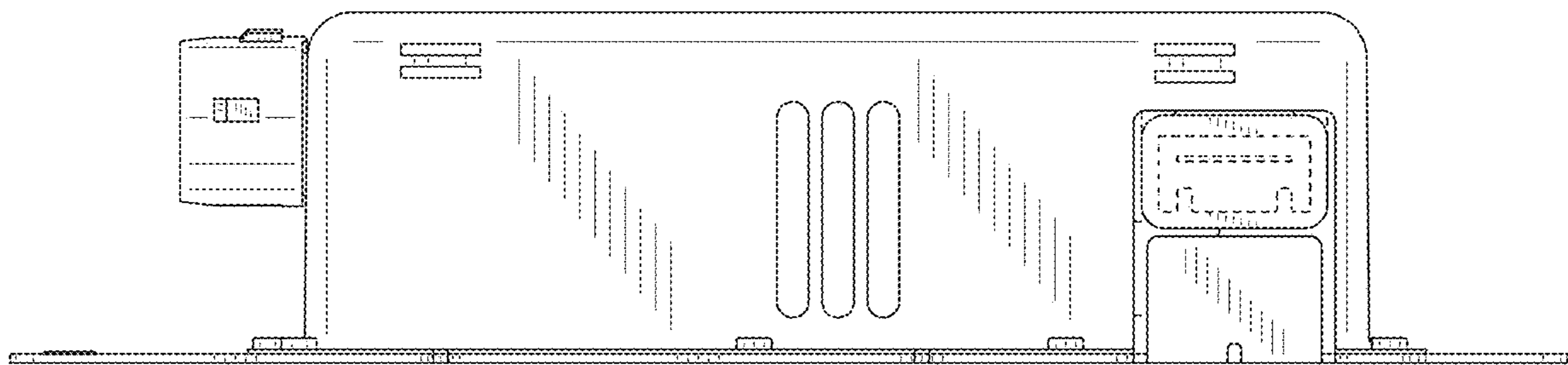


FIG. 7

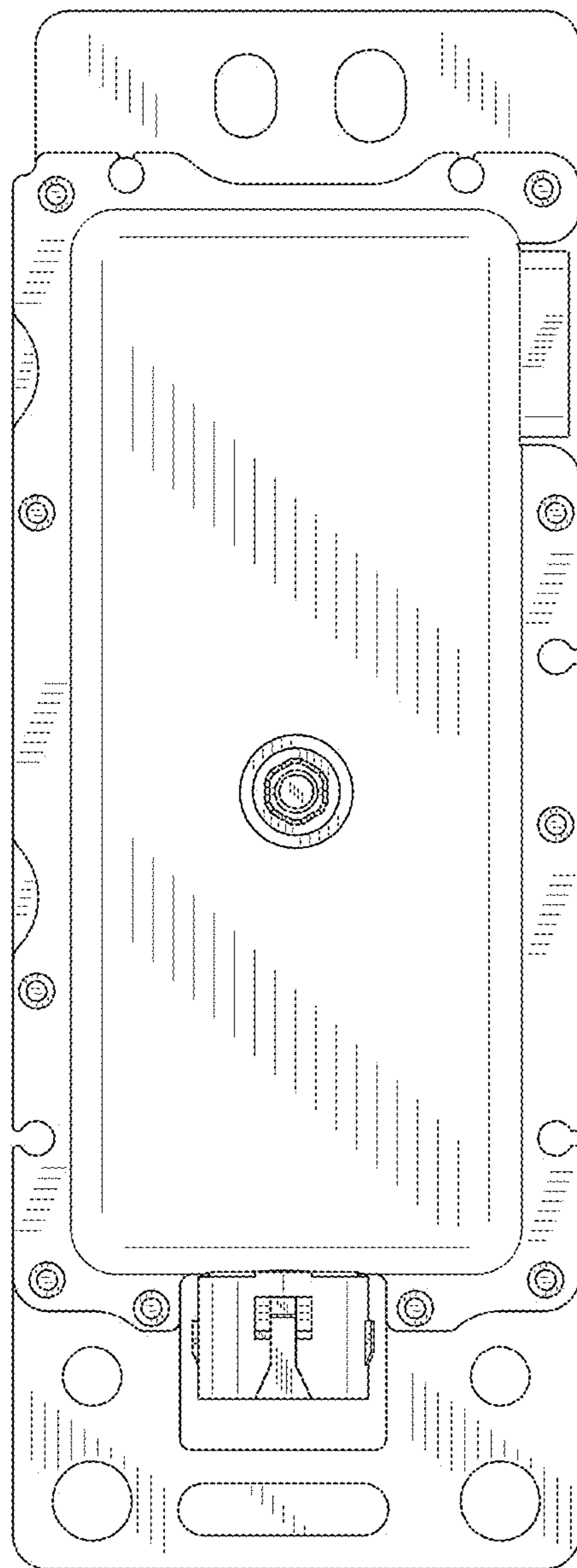


FIG. 8

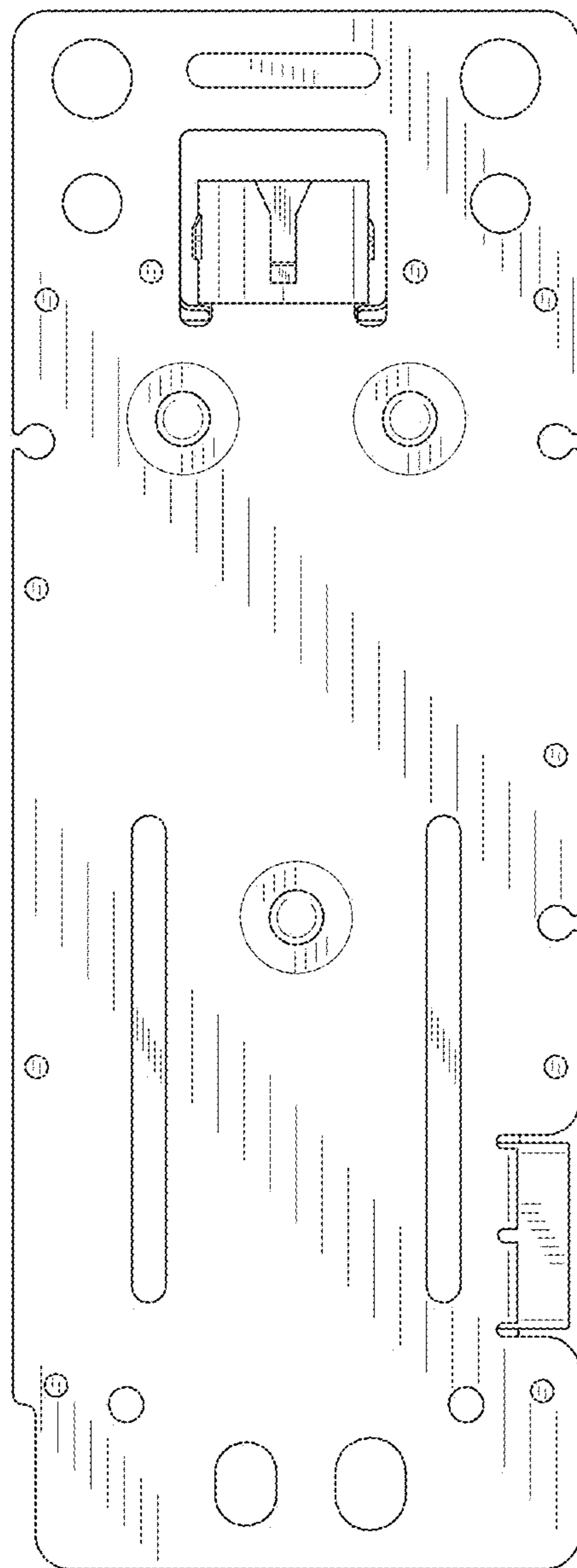


FIG. 9

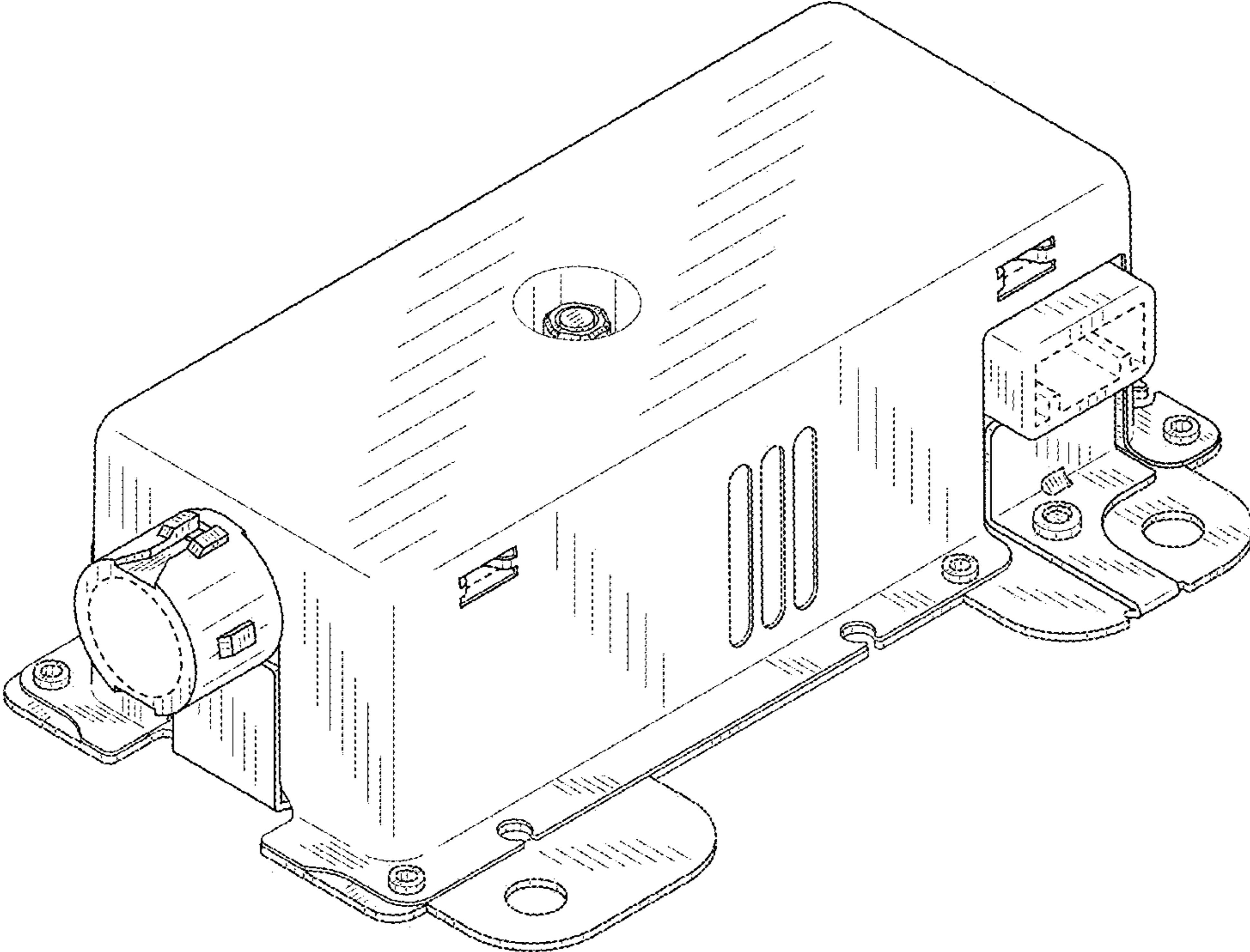


FIG. 10

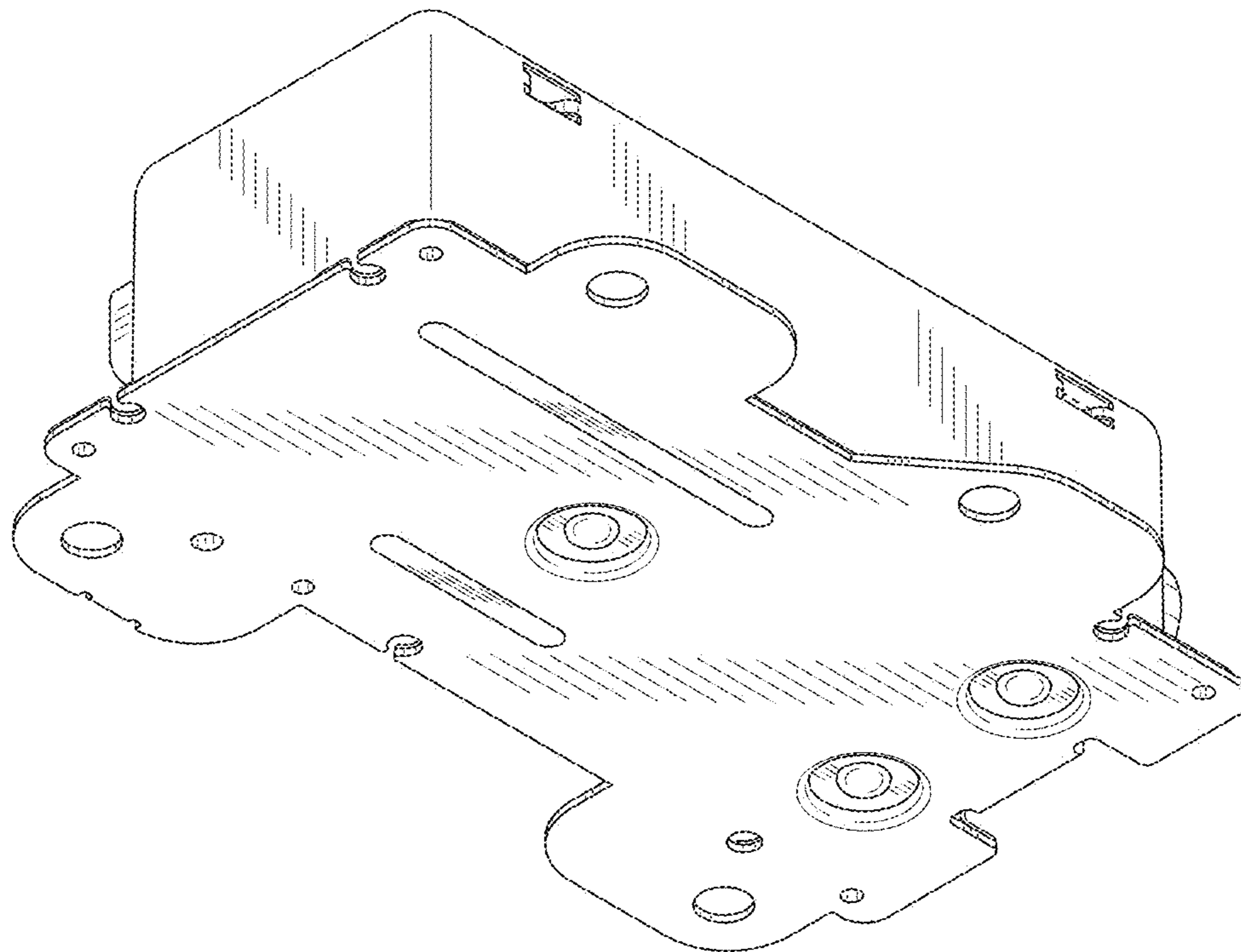


FIG. 11

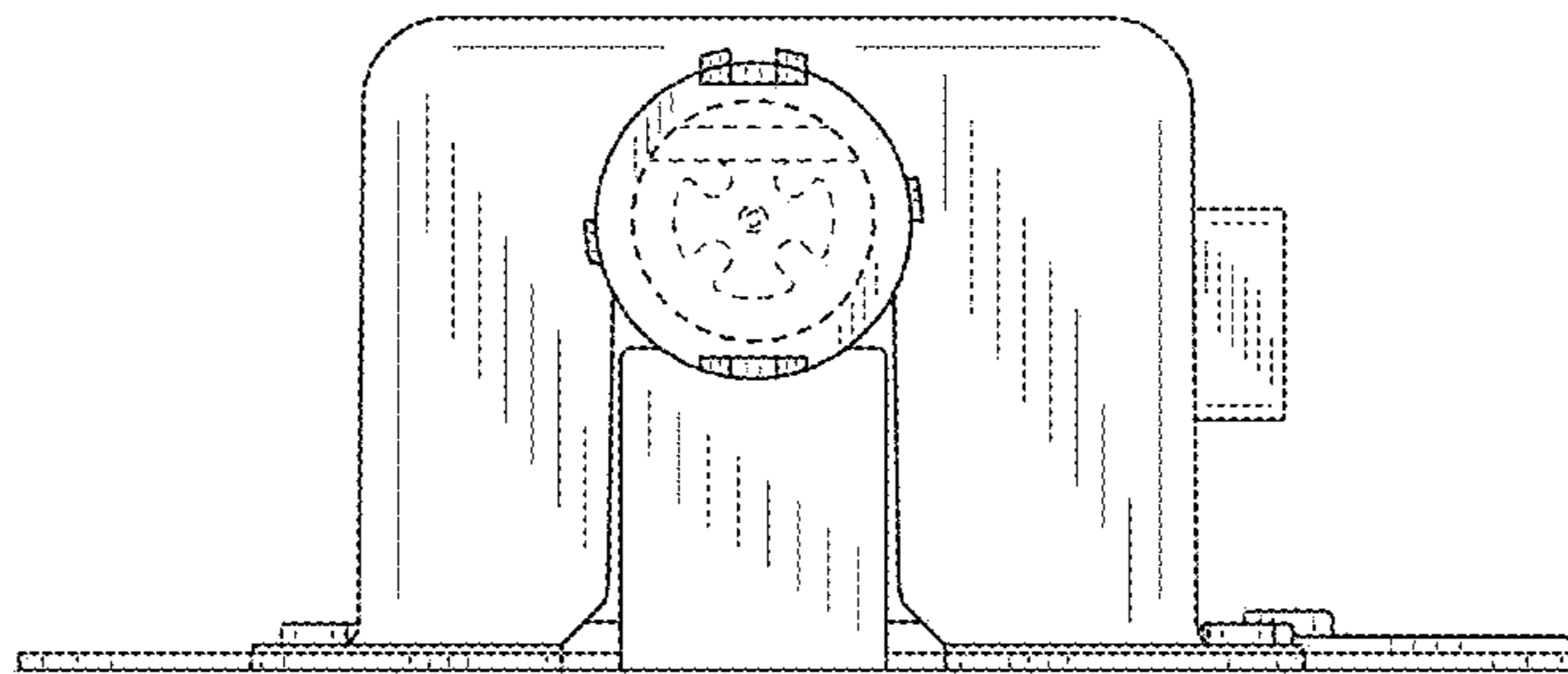


FIG. 12

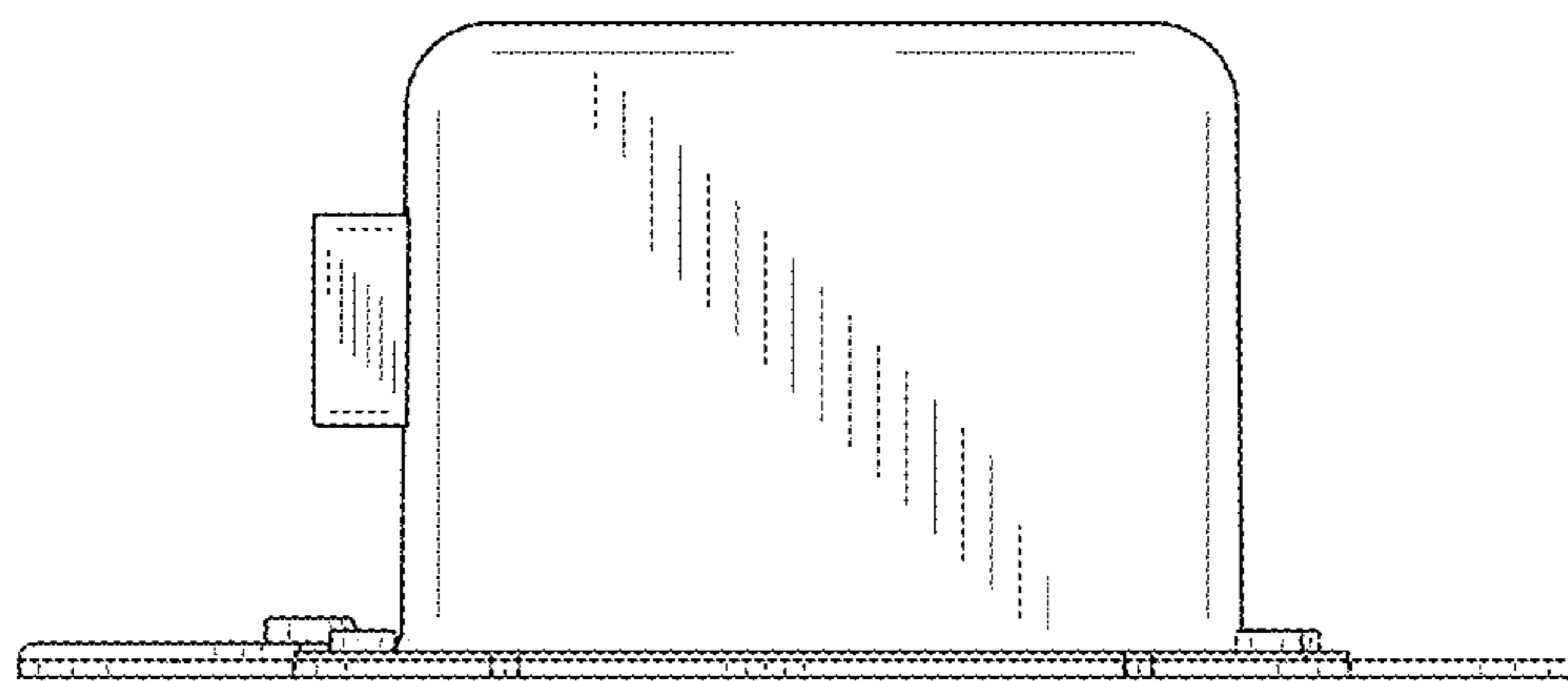


FIG. 13

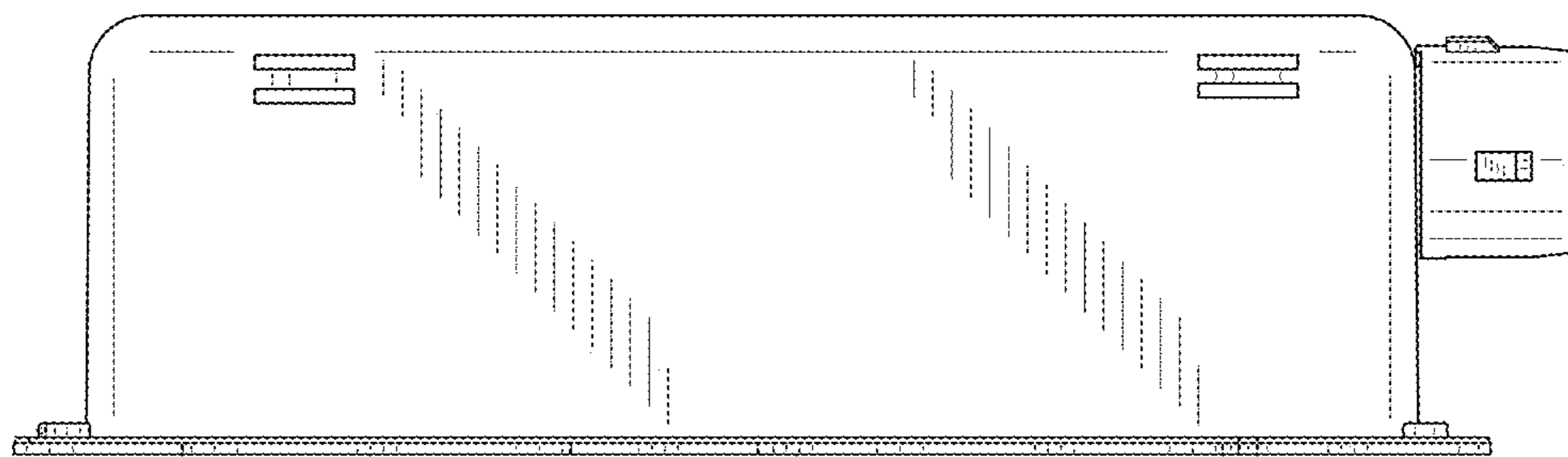


FIG. 14

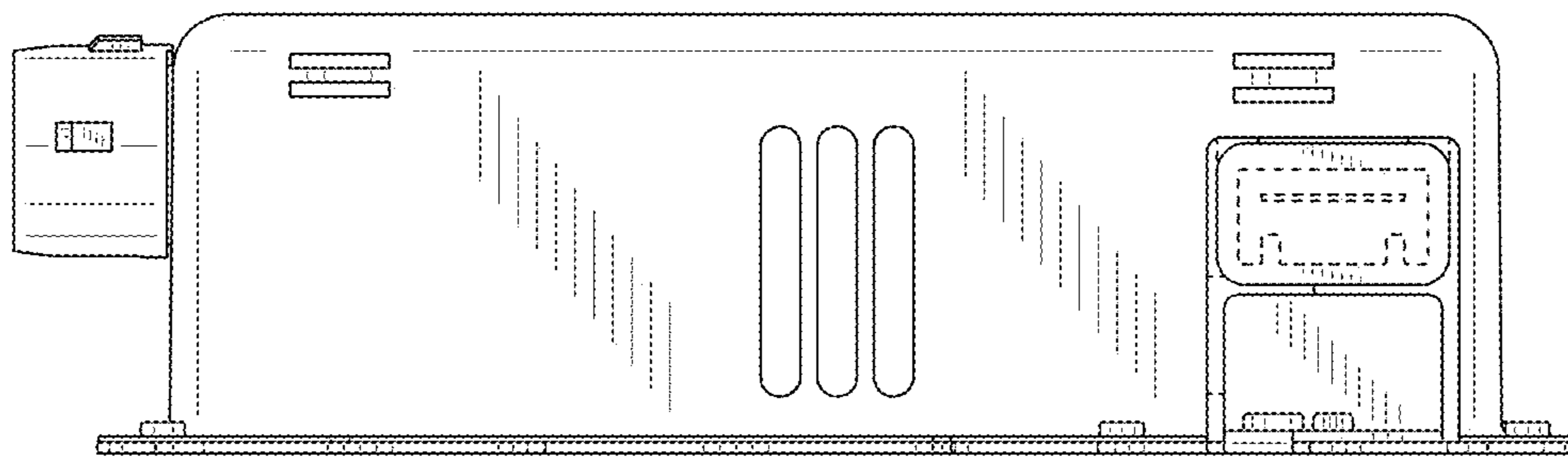


FIG. 15

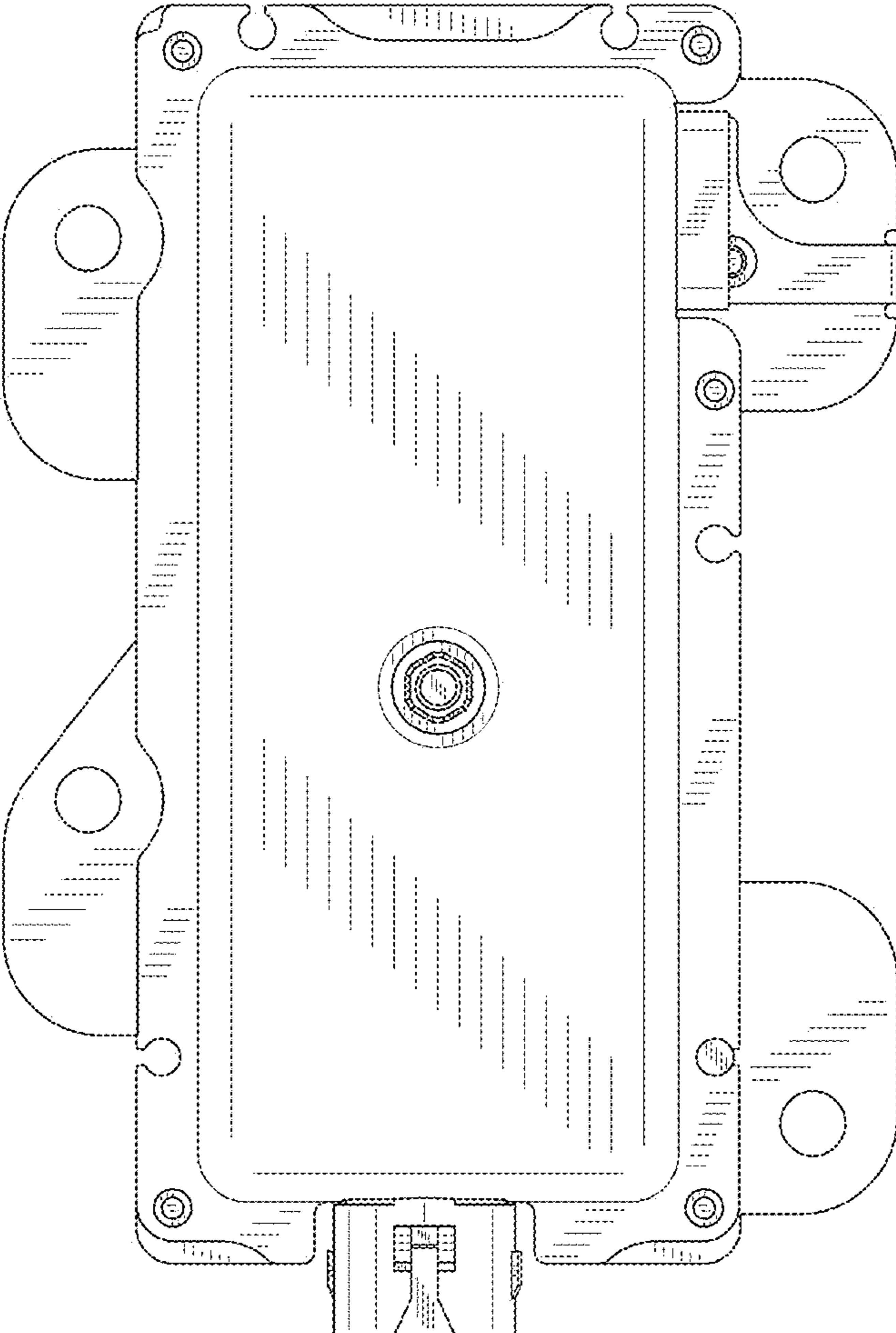


FIG. 16

