



US00D899559S

(12) **United States Design Patent** (10) **Patent No.:** **US D899,559 S**
Oh (45) **Date of Patent:** **** Oct. 20, 2020**

(54) **PORTABLE HYDROGEN WATER GENERATOR**
(71) Applicant: **IONFARMS CO., LTD.**, Incheon (KR)
(72) Inventor: **Shin Taek Oh**, Incheon (KR)
(73) Assignee: **IONFARMS CO., LTD.**, Incheon (KR)
(**) Term: **15 Years**

(21) Appl. No.: **29/675,998**
(22) Filed: **Jan. 7, 2019**
(51) **LOC (12) Cl.** **23-01**
(52) **U.S. Cl.**
USPC **D23/207**
(58) **Field of Classification Search**
USPC D23/200, 202, 207-210; D6/512, 542;
D7/306-308; D9/439, 448, 454
CPC B01D 5/006; B01D 35/30; C02F 1/002;
C02F 1/003; C02F 1/4676; B23H 3/04
See application file for complete search history.

(56) **References Cited**
U.S. PATENT DOCUMENTS
D52,480 S * 9/1918 Hoffman D9/772
D356,625 S * 3/1995 Petrucci D23/209
D507,035 S * 7/2005 Taniguchi D23/209
D655,377 S * 3/2012 Kruckenberg B05B 17/0646
D23/209
D753,489 S * 4/2016 Shaw D9/454

2008/0099572 A1* 5/2008 Tollens B05B 17/0646
239/4
2008/0197213 A1* 8/2008 Flashinski A01M 1/205
239/288.5
2015/0096932 A1* 4/2015 Hou B01D 29/58
210/473

OTHER PUBLICATIONS

Globalsources.com, Hydrogen alkaline water bottle maker machine hydrogen water generator ionizer, undated online product page, retrieved Jun. 18, 2020 from <URL:https://www.globalsources.com/Water-purifier/Product-1167894256p.htm#1167894256> (Year: 2020).*

* cited by examiner

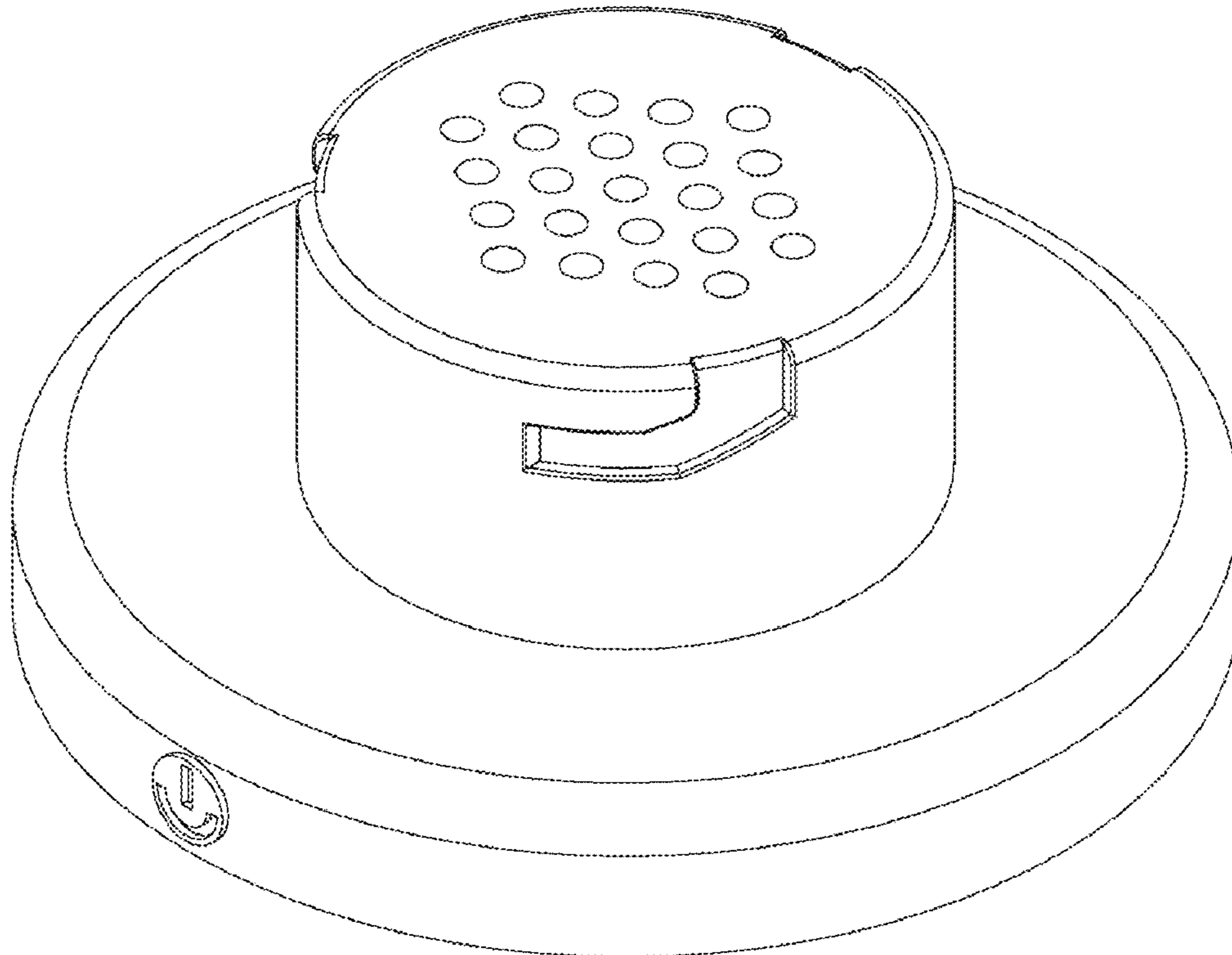
Primary Examiner — Sheryl Lane
Assistant Examiner — Calvin E Vansant
(74) *Attorney, Agent, or Firm* — Ladas & Parry, LLP

(57) **CLAIM**
The ornamental design a portable hydrogen water generator, as shown and described.

DESCRIPTION

FIG. 1 is a perspective view of a portable hydrogen water generator showing our new design;
FIG. 2 is a front view thereof;
FIG. 3 is a rear view thereof;
FIG. 4 is a left side view thereof;
FIG. 5 is a right side view thereof;
FIG. 6 is a top plan view thereof; and,
FIG. 7 is a bottom plan view thereof.

1 Claim, 7 Drawing Sheets



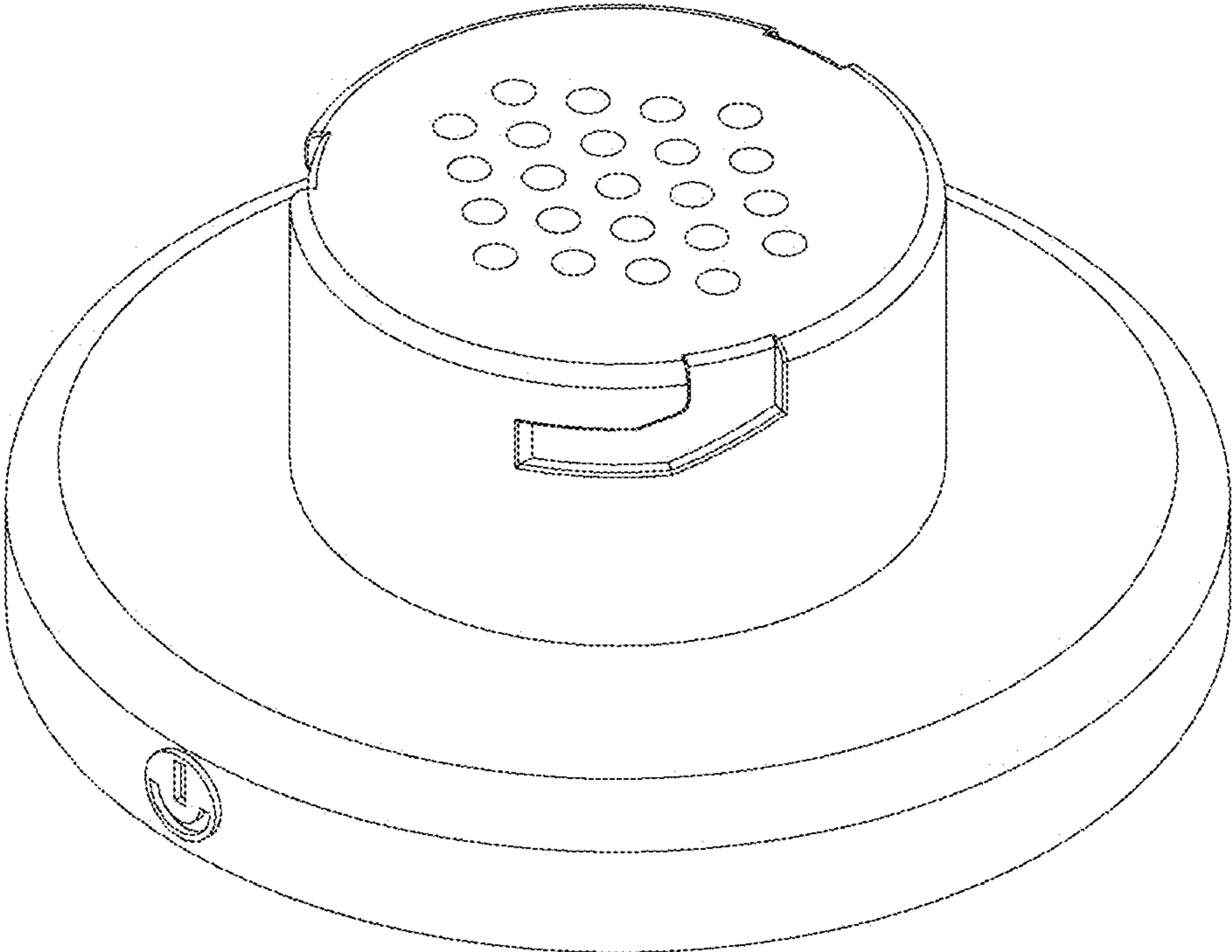


Figure 1

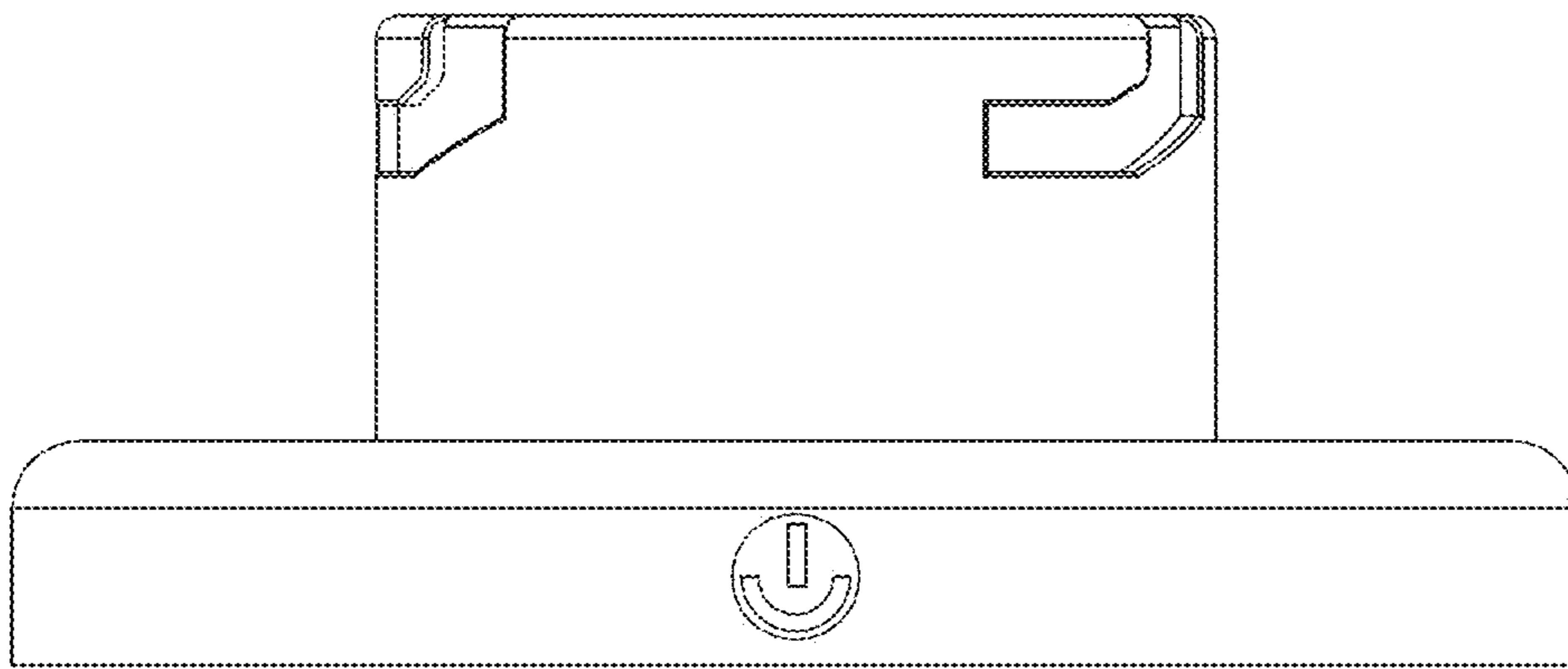


Figure 2

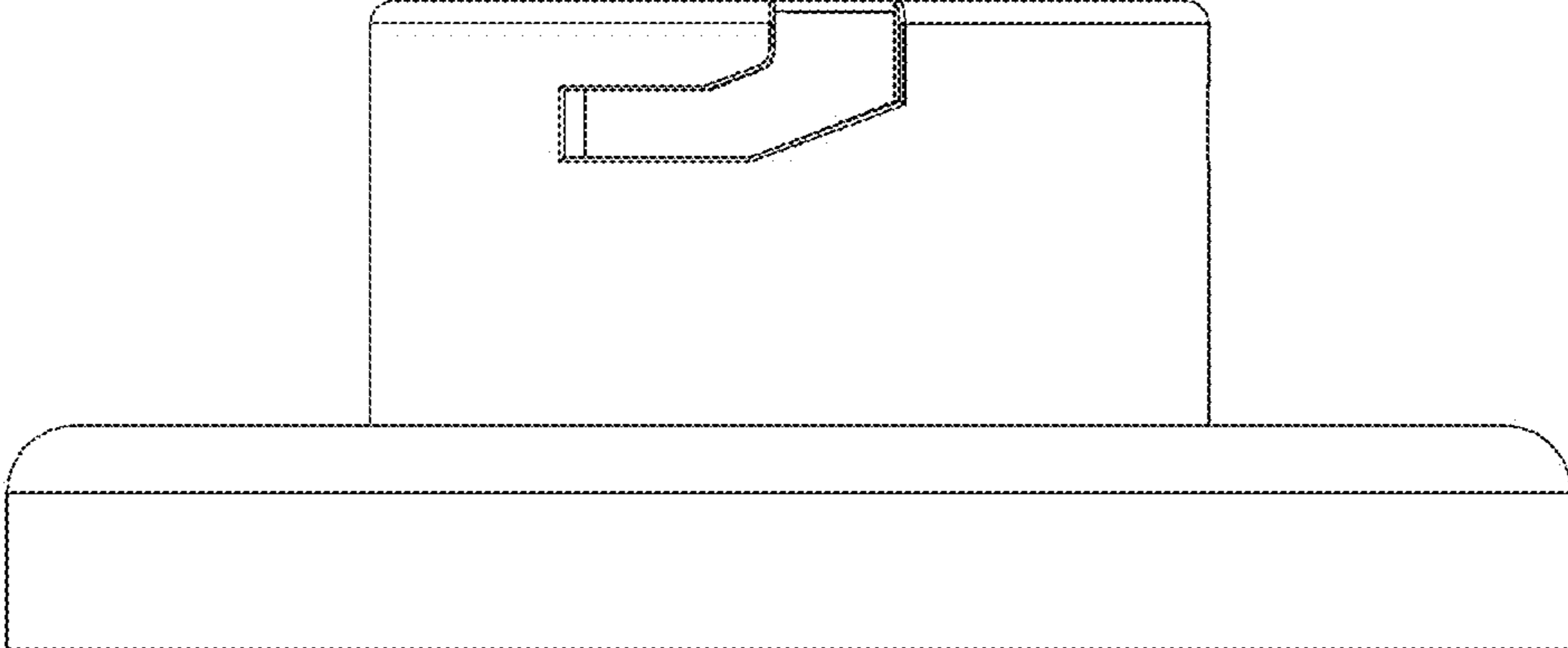


Figure 3

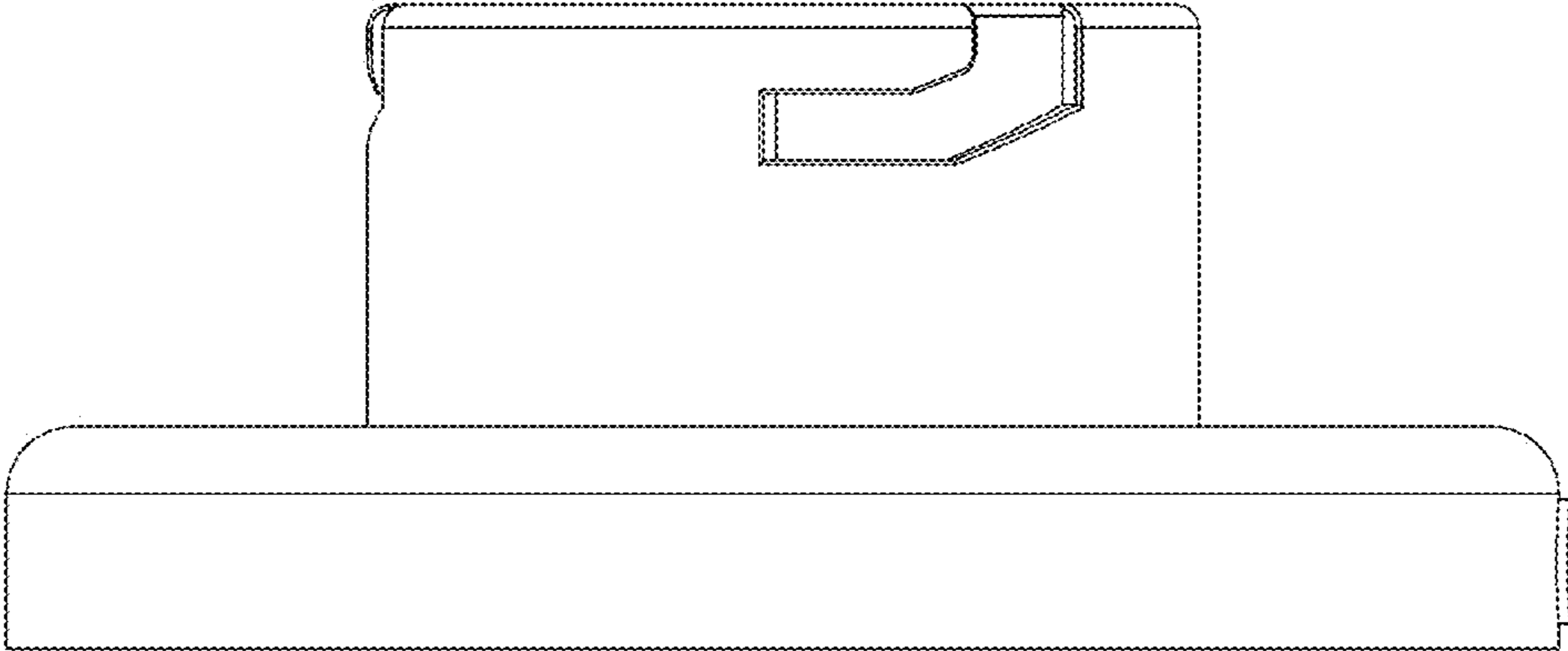


Figure 4

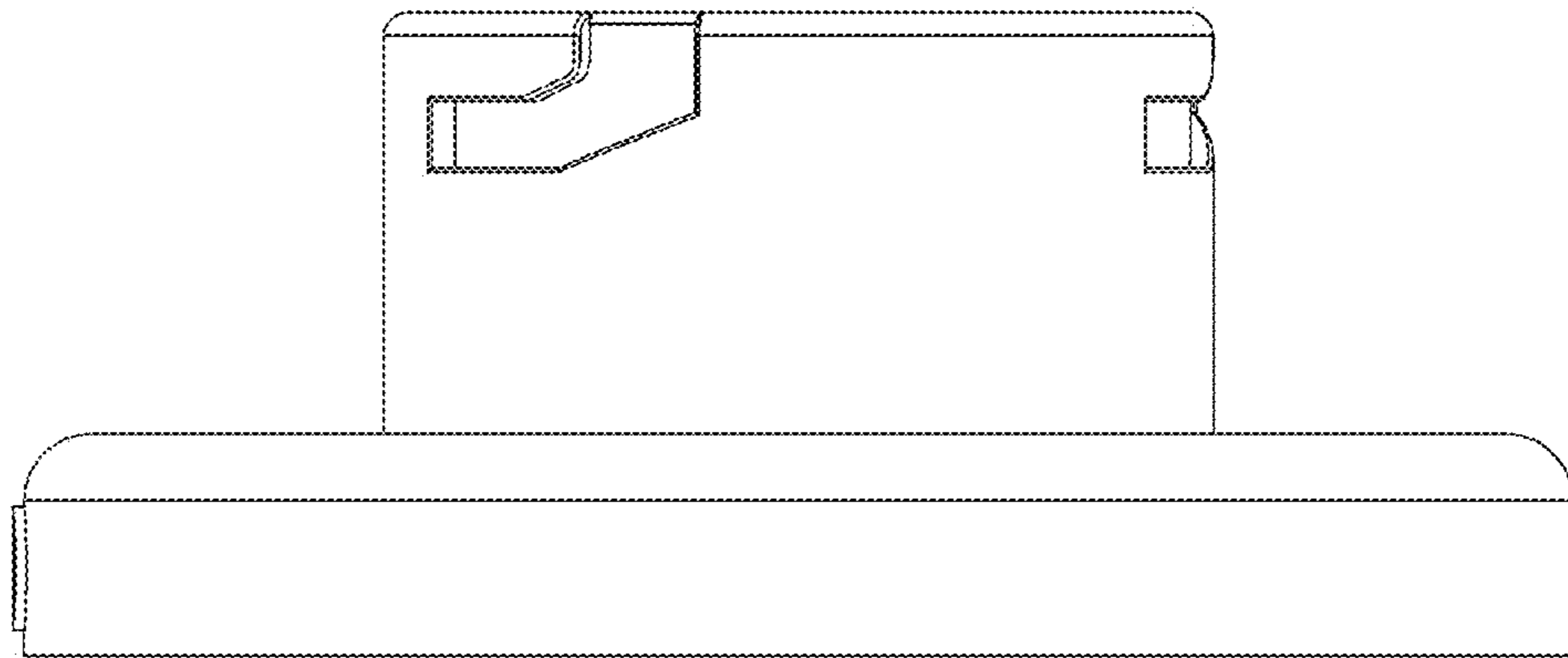


Figure 5

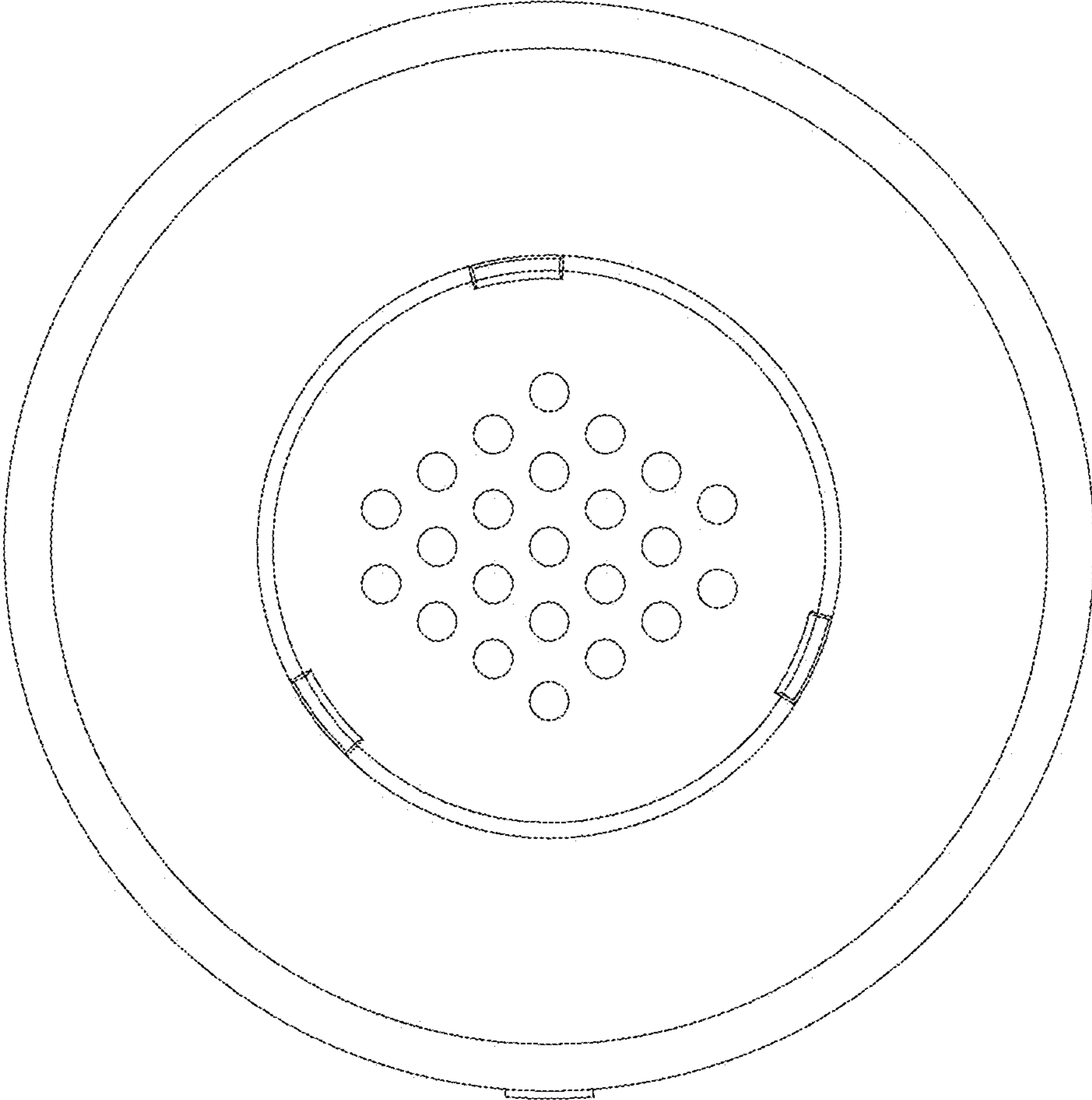


Figure 6

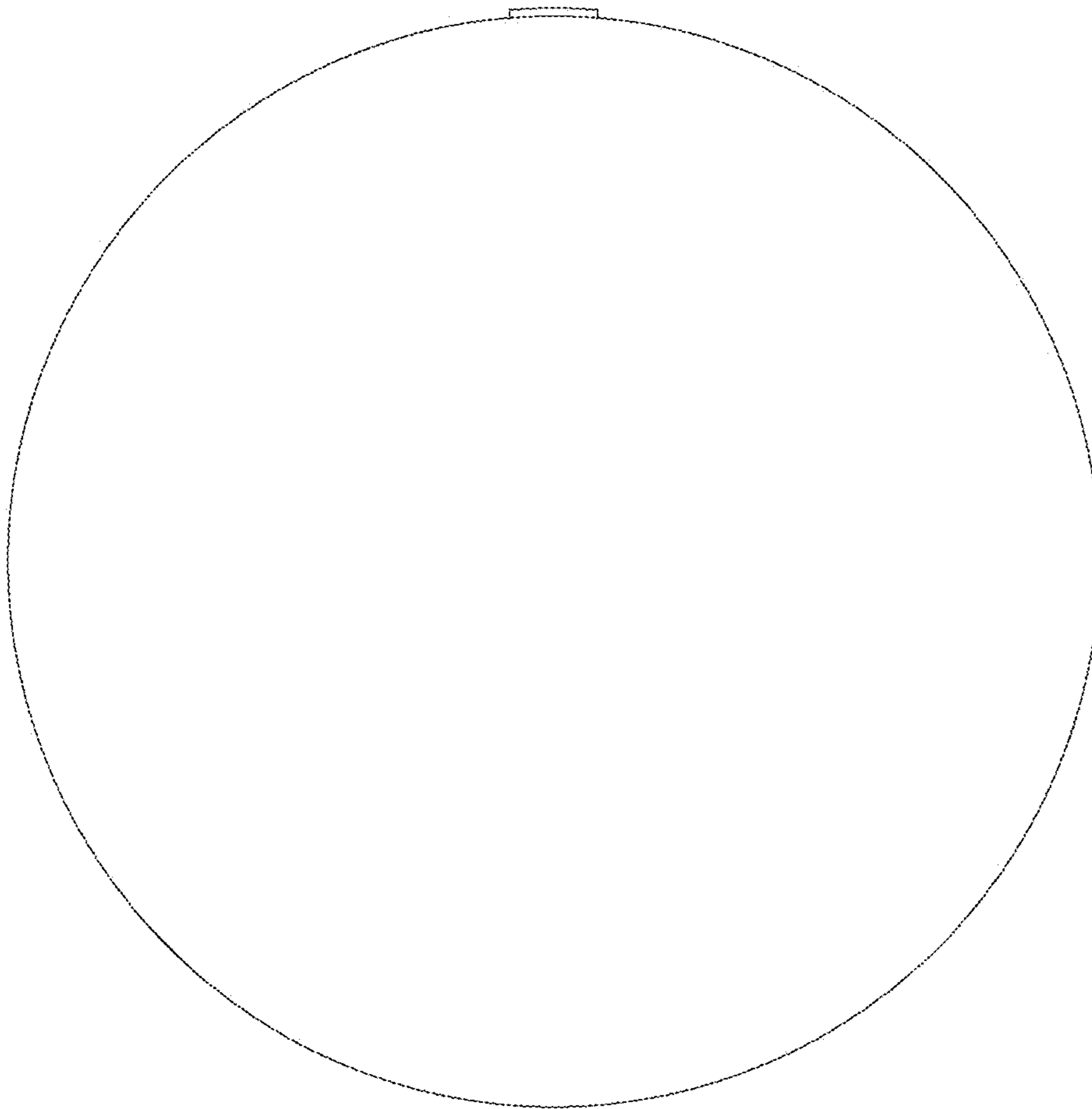


Figure 7