



US00D899558S

(12) **United States Design Patent** (10) **Patent No.:** **US D899,558 S**
Wei et al. (45) **Date of Patent:** **** Oct. 20, 2020**

(54) **SOLAR FOUNTAIN**
(71) Applicant: **SHENZHEN QIANHAI PATUOXUN NETWORK AND TECHNOLOGY CO., LTD**, Shenzhen (CN)
(72) Inventors: **Ying Wei**, Shenzhen (CN); **Minghang Huang**, Shenzhen (CN); **Qian Chen**, Shenzhen (CN)
(73) Assignee: **SHENZHEN QIANHAI PATUOXUN NETWORK AND TECHNOLOGY CO., LTD**, Shenzhen (CN)

D610,741 S * 2/2010 Trimi D26/120
D631,128 S * 1/2011 Laporta D23/201
D687,920 S * 8/2013 Hadi D23/201
D689,588 S * 9/2013 Sheridan D23/201
D781,998 S * 3/2017 Ruzicka D23/200
D828,901 S 9/2018 Li
D829,303 S 9/2018 Li
D836,751 S 12/2018 Li
D841,772 S * 2/2019 Tappeiner D23/201
D865,660 S * 11/2019 Jing D13/102
D877,855 S * 3/2020 Wei D23/201

(**) Term: **15 Years**

(21) Appl. No.: **29/731,545**

(22) Filed: **Apr. 16, 2020**

(51) **LOC (12) Cl.** **23-01**

(52) **U.S. Cl.**
USPC **D23/201**

(58) **Field of Classification Search**
USPC D23/201, 213, 214, 215; D13/102, 118, D13/184, 199
CPC .. A01K 7/00; A01K 7/02; B05B 17/08; F24S 25/10; F24S 25/70; Y02E 10/47; Y02E 10/50; Y02E 10/52

See application file for complete search history.

(56) **References Cited**

U.S. PATENT DOCUMENTS

D319,682 S * 9/1991 Sharp D23/201
D389,225 S * 1/1998 Coleman D23/201
D394,301 S * 5/1998 Fisher D23/201
D434,102 S * 11/2000 Sater D23/201
D475,116 S * 5/2003 Chan D23/201
D481,780 S * 11/2003 Lee D23/201

OTHER PUBLICATIONS

<https://www.amazon.com/OKMEE-Fountain-Upgraded-Birdbath-Aquarium/> (Year: 2020).*

* cited by examiner

Primary Examiner — Manpreet S Matharu

Assistant Examiner — Keith J Wilson

(57) **CLAIM**

The ornamental design for a solar fountain, as shown and described.

DESCRIPTION

FIG. 1 is a perspective view of a solar fountain showing my new design;

FIG. 2 is another perspective view thereof;

FIG. 3 is a front elevational view thereof;

FIG. 4 is a rear elevational view thereof;

FIG. 5 is a left side elevational view thereof;

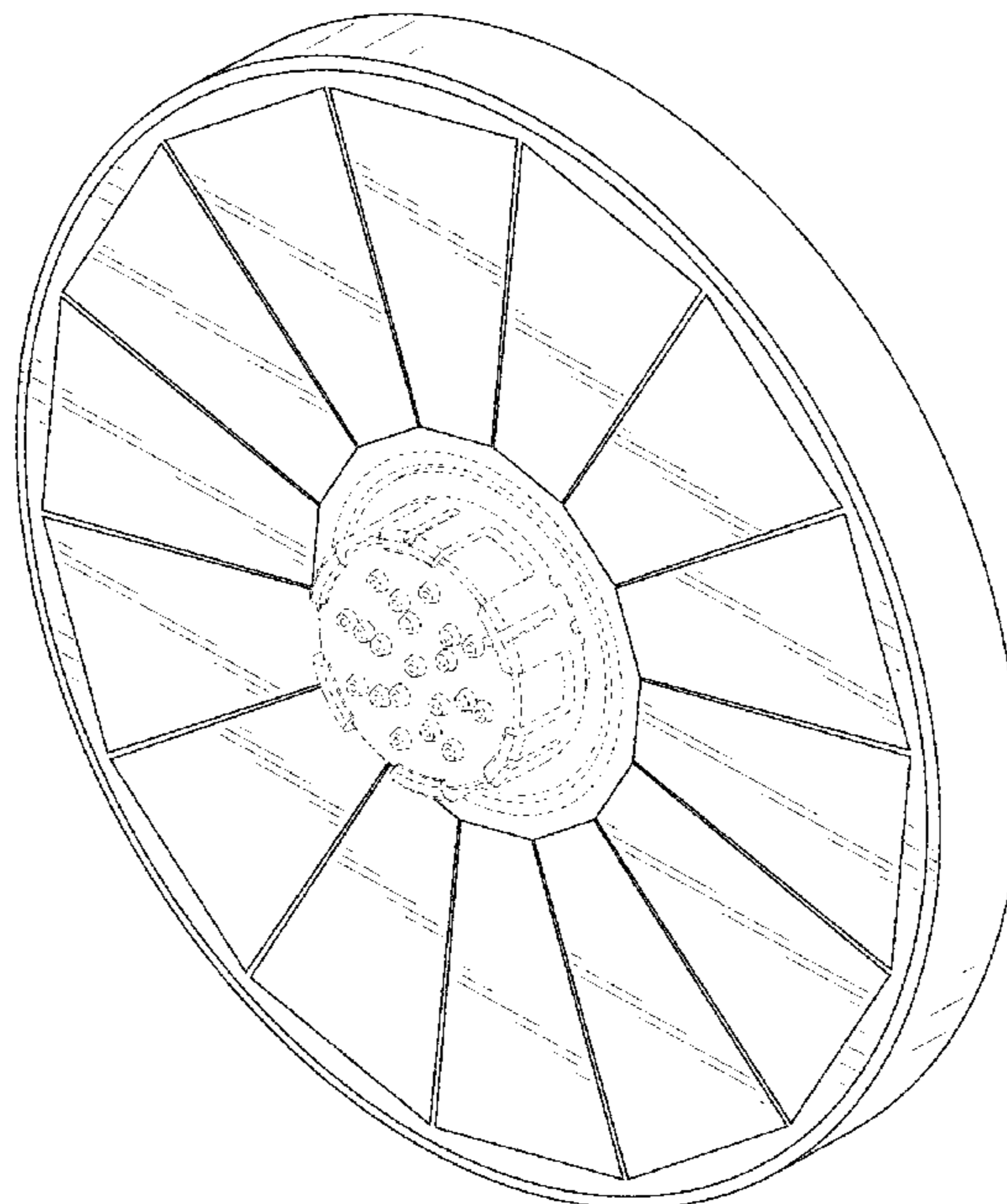
FIG. 6 is a right side elevational view thereof;

FIG. 7 is a top plan view thereof; and,

FIG. 8 is a bottom plan view thereof.

The broken lines in the drawings depict portions of the solar fountain that form no part of the claimed design.

1 Claim, 8 Drawing Sheets



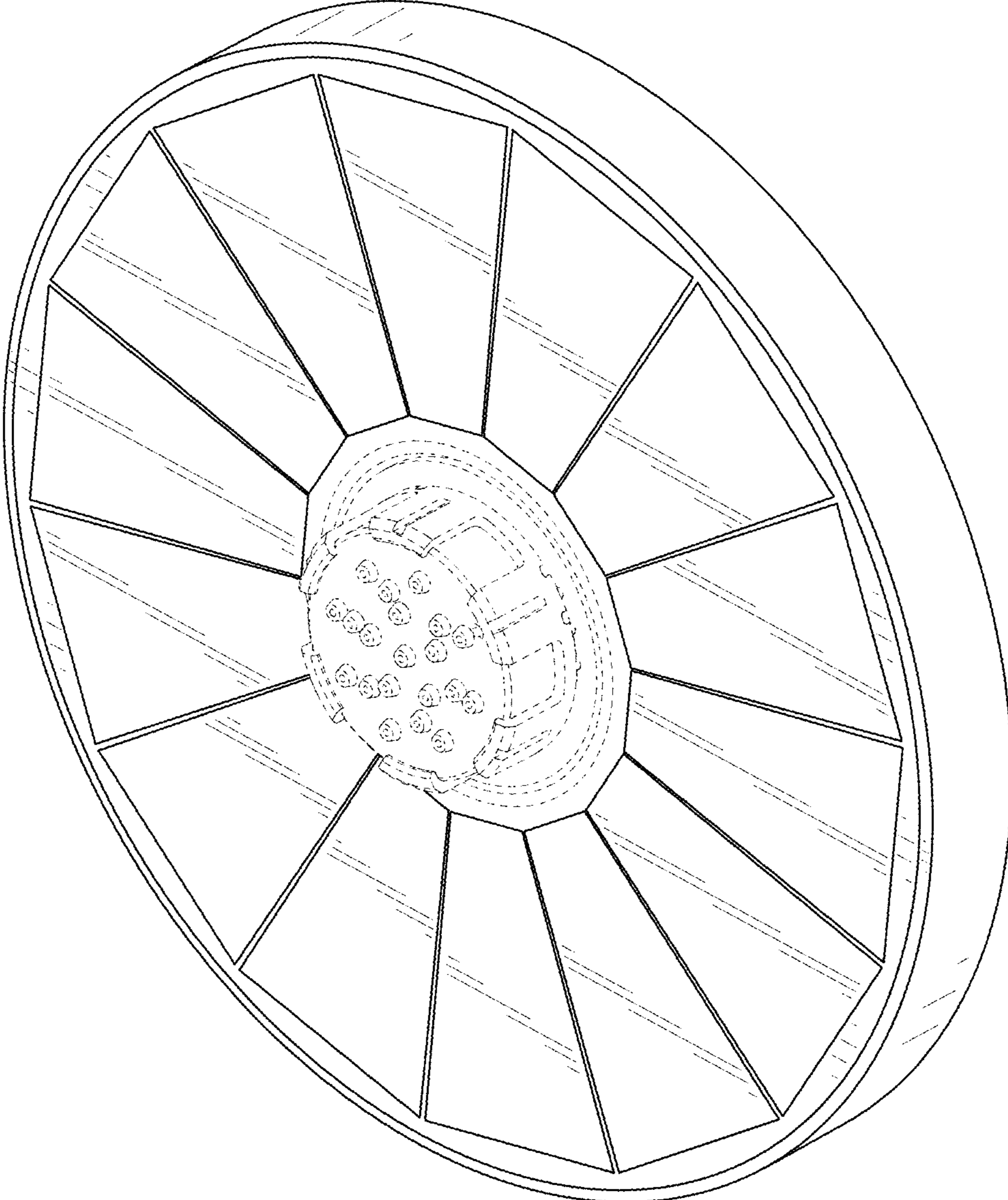


FIG. 1

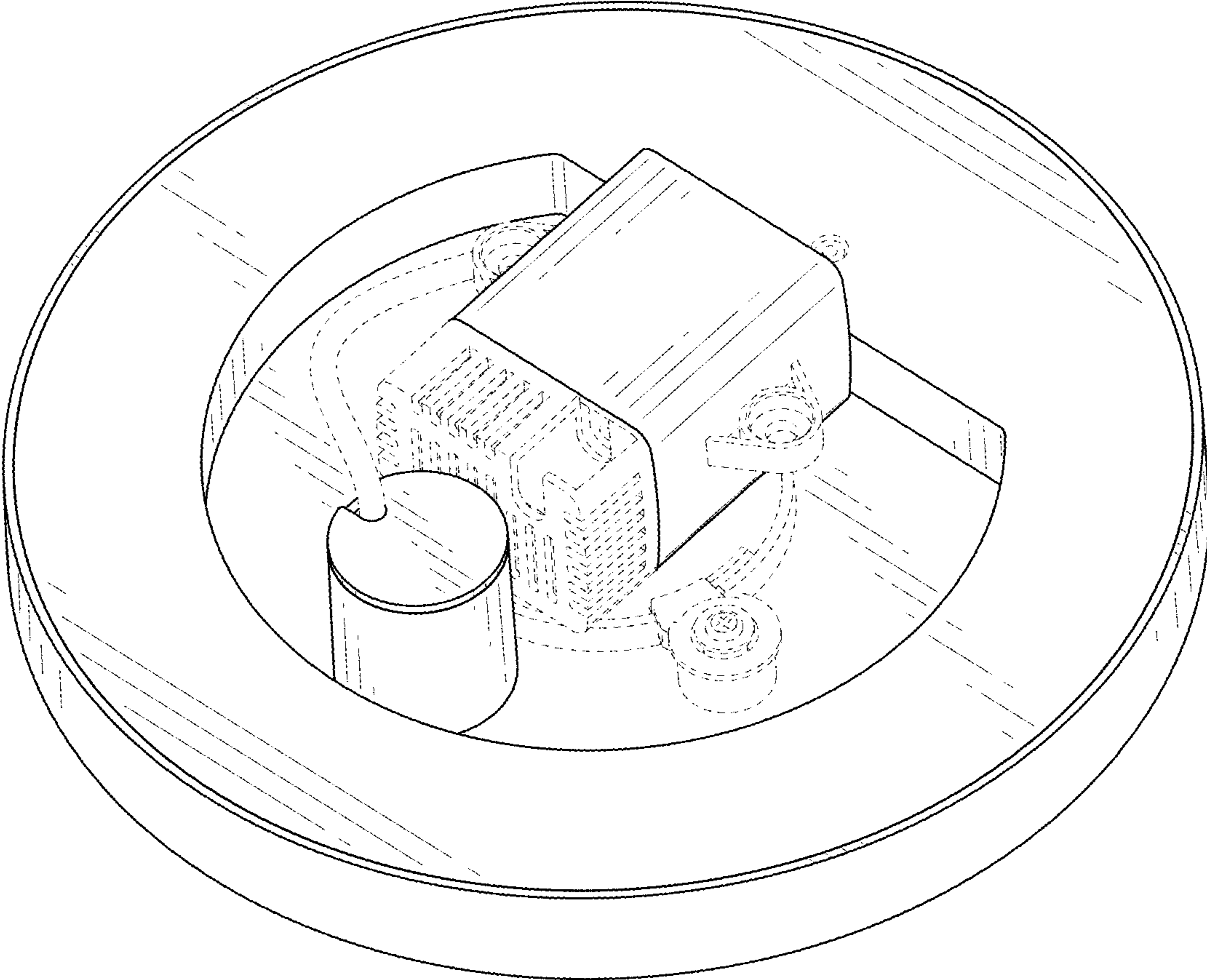


FIG. 2

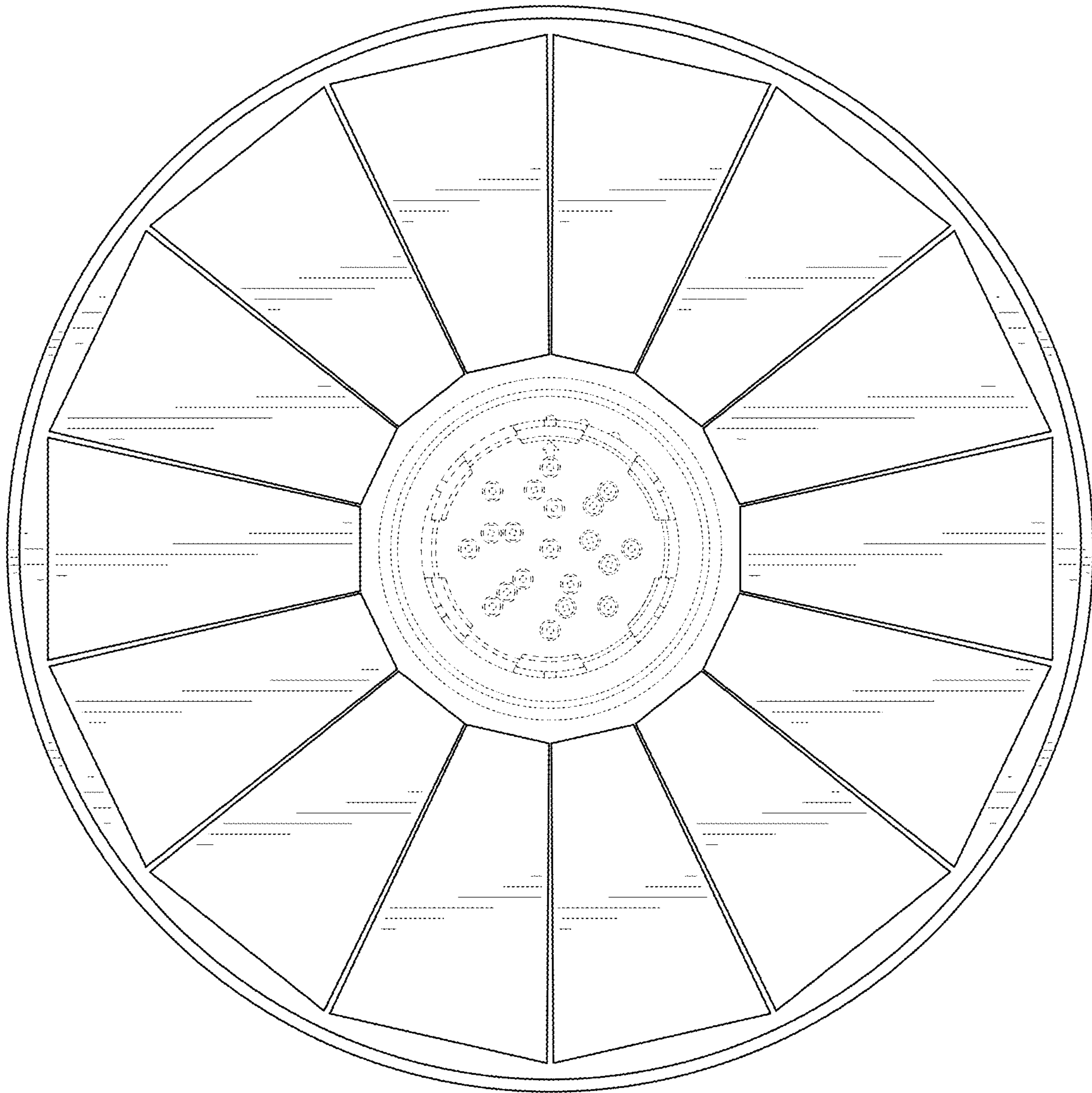


FIG. 3

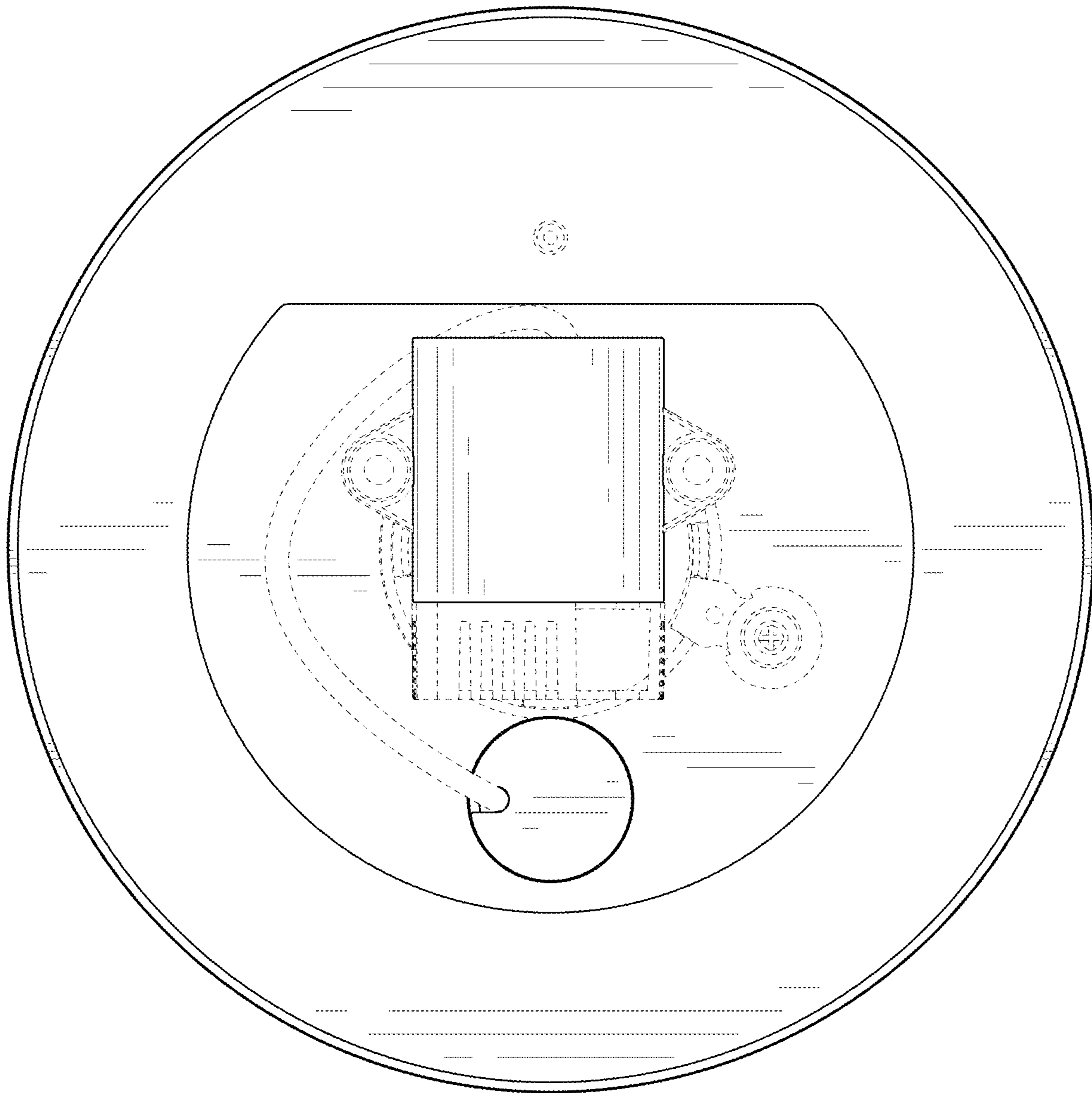


FIG. 4

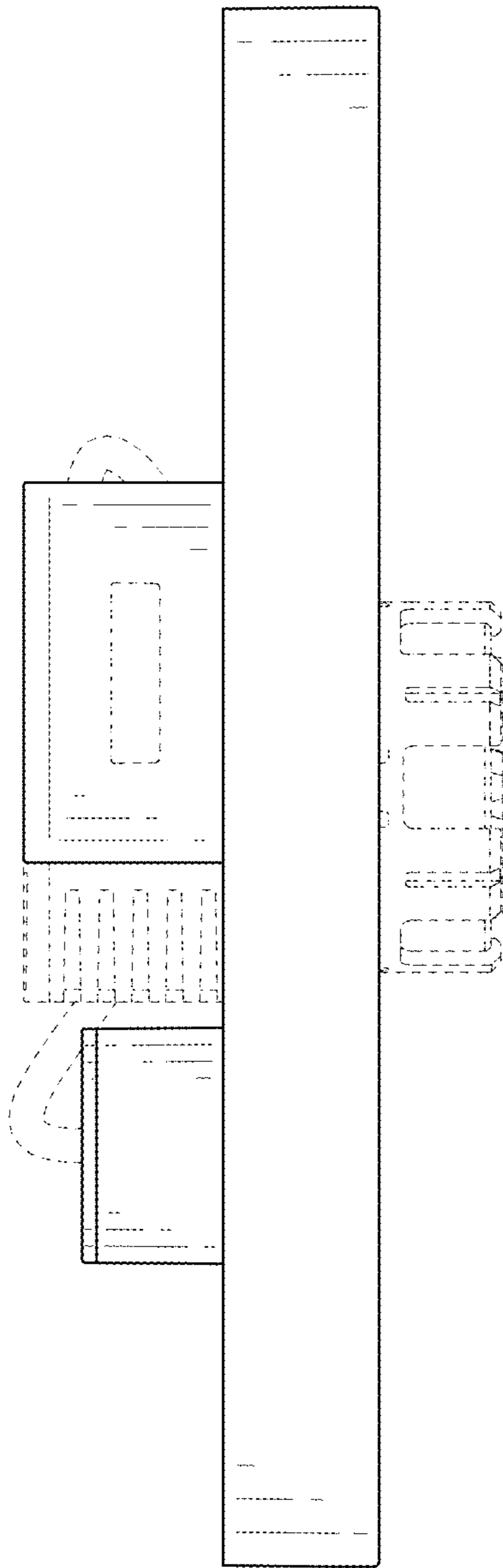


FIG. 5

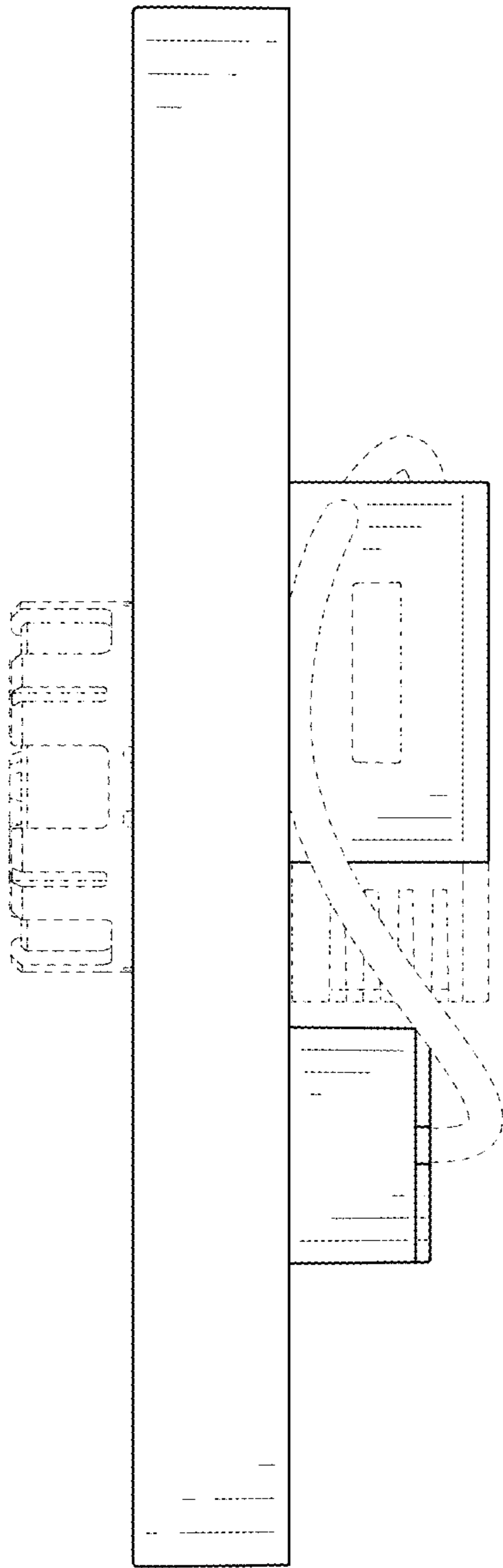


FIG. 6

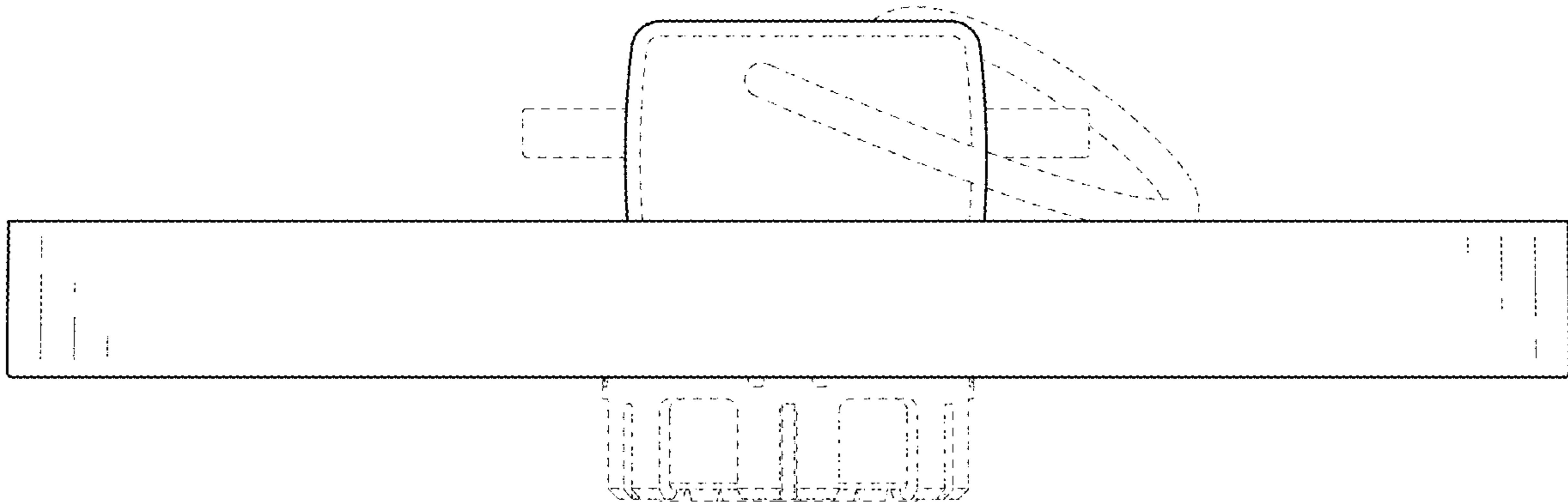


FIG. 7

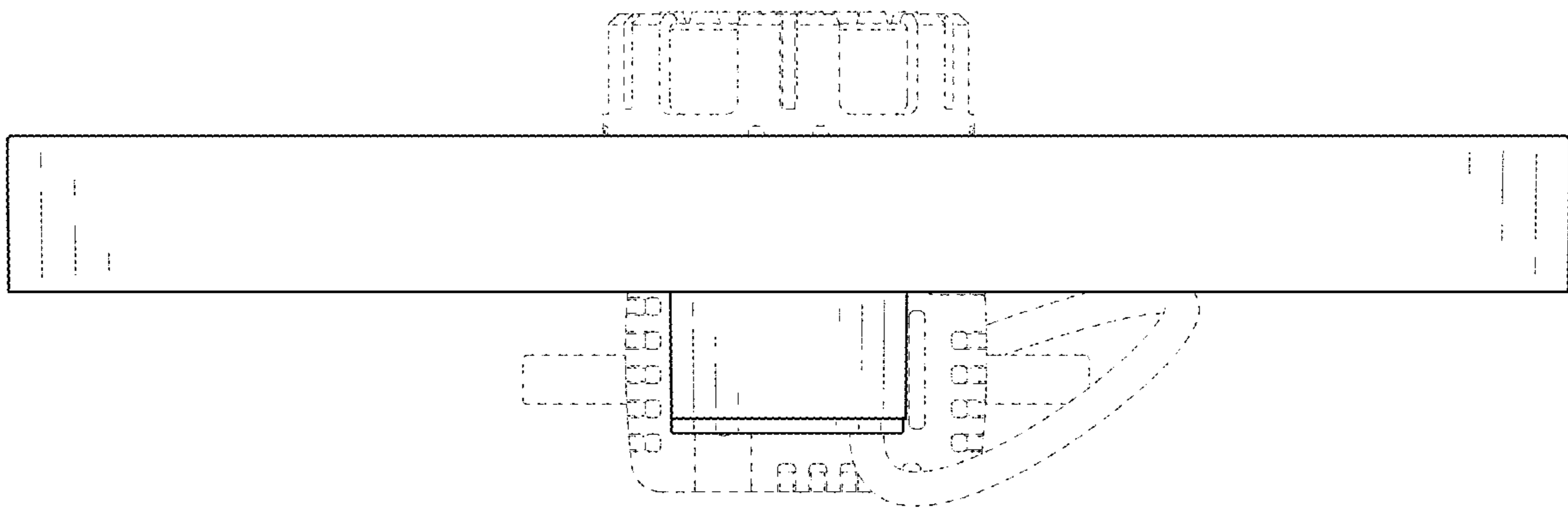


FIG. 8