



US00D899556S

(12) **United States Design Patent** (10) **Patent No.:** **US D899,556 S**  
**Du** (45) **Date of Patent:** **\*\* Oct. 20, 2020**

(54) **MOSQUITO KILLER LAMP**  
(71) Applicant: **Xueyuan Du**, Chengdu (CN)  
(72) Inventor: **Xueyuan Du**, Chengdu (CN)  
(\*\*) Term: **15 Years**

D868,932 S \* 12/2019 Zhu ..... D22/123  
D870,233 S \* 12/2019 Zhu ..... D22/123  
D879,240 S \* 3/2020 Wu ..... D22/123  
2018/0199563 A1 \* 7/2018 Zheng ..... A01M 1/223

(21) Appl. No.: **29/696,408**  
(22) Filed: **Jun. 27, 2019**  
(51) **LOC (12) Cl.** ..... **22-06**  
(52) **U.S. Cl.**  
USPC ..... **D22/123**  
(58) **Field of Classification Search**  
USPC ..... D22/122-123; 43/112-113; D26/2;  
219/201, 473, 552; 362/253, 347  
CPC ..... A01M 1/02; A01M 1/04; A01M 1/20;  
A01M 1/223; A01M 1/2094; A01M  
2200/012  
See application file for complete search history.

**OTHER PUBLICATIONS**

Mosquio Killer Lantern, inspireuplift.com (Year: 2018).\*  
2Pcs Light Zapper LED Light Bult Bug Mosquito Fly Insect Killer  
Bulb Lamp Home, ebay.com, 1995-2020.\*

\* cited by examiner

*Primary Examiner* — Catherine R Oliver-Garcia  
(74) *Attorney, Agent, or Firm* — Che-Yang Chen; Law  
Office of Michael Chen

(57) **CLAIM**

The ornamental design for a mosquito killer lamp, as shown  
and described.

(56) **References Cited**

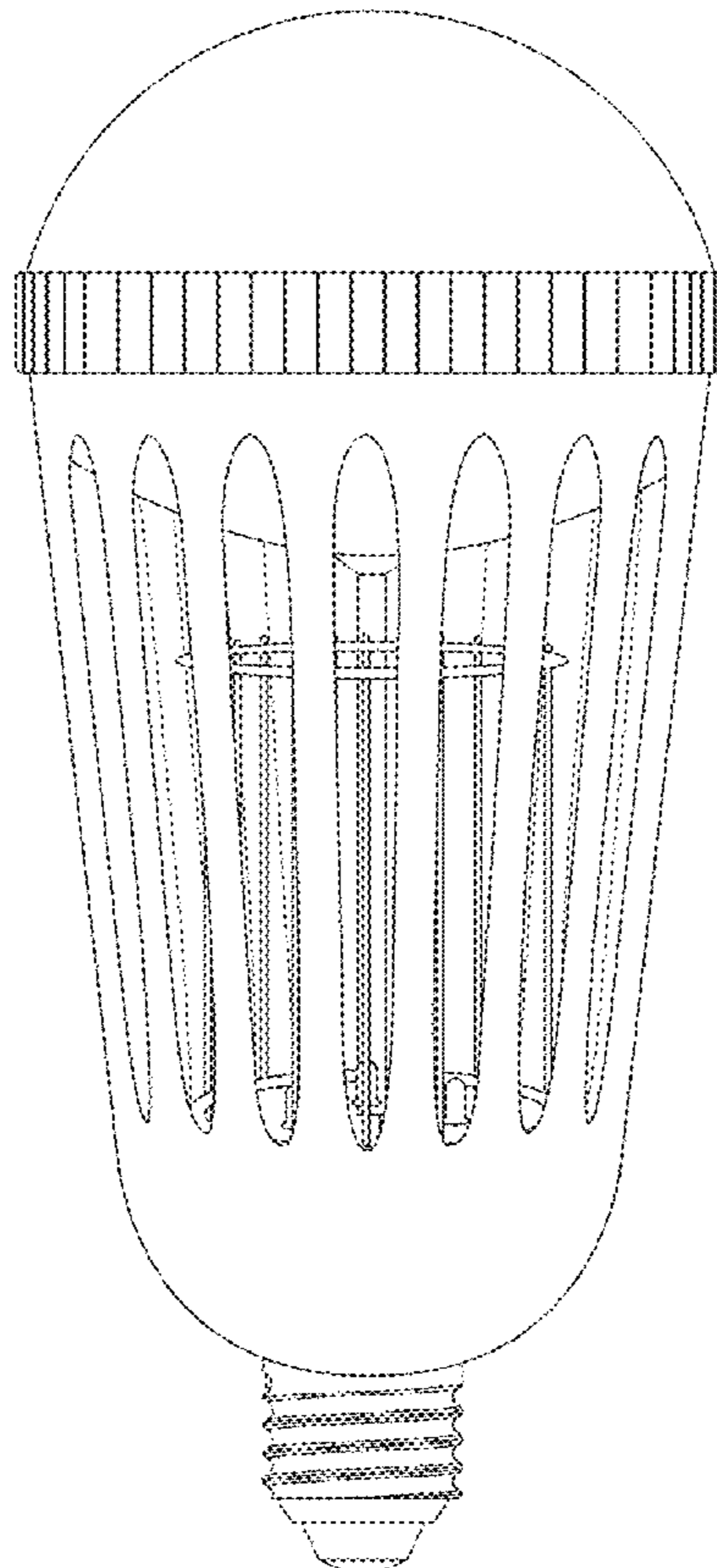
**DESCRIPTION**

**U.S. PATENT DOCUMENTS**

2,674,682 A \* 4/1954 Hanson ..... A01M 1/04  
219/473  
D628,311 S \* 11/2010 Jiang ..... D26/2  
D663,869 S \* 7/2012 Choi ..... D26/2  
D674,922 S \* 1/2013 Huang ..... D26/2  
D821,537 S \* 6/2018 Ye ..... D22/123  
D831,784 S \* 10/2018 Rubel ..... D22/123  
D841,763 S \* 2/2019 Rubel ..... D22/123

FIG. 1 is a perspective view of a mosquito killer lamp  
showing my new design;  
FIG. 2 is a front/rear elevational view thereof;  
FIG. 3 is a left side elevational view thereof;  
FIG. 4 is a right side elevational view thereof;  
FIG. 5 is a top plan view thereof; and,  
FIG. 6 is a bottom plan view thereof.

**1 Claim, 5 Drawing Sheets**



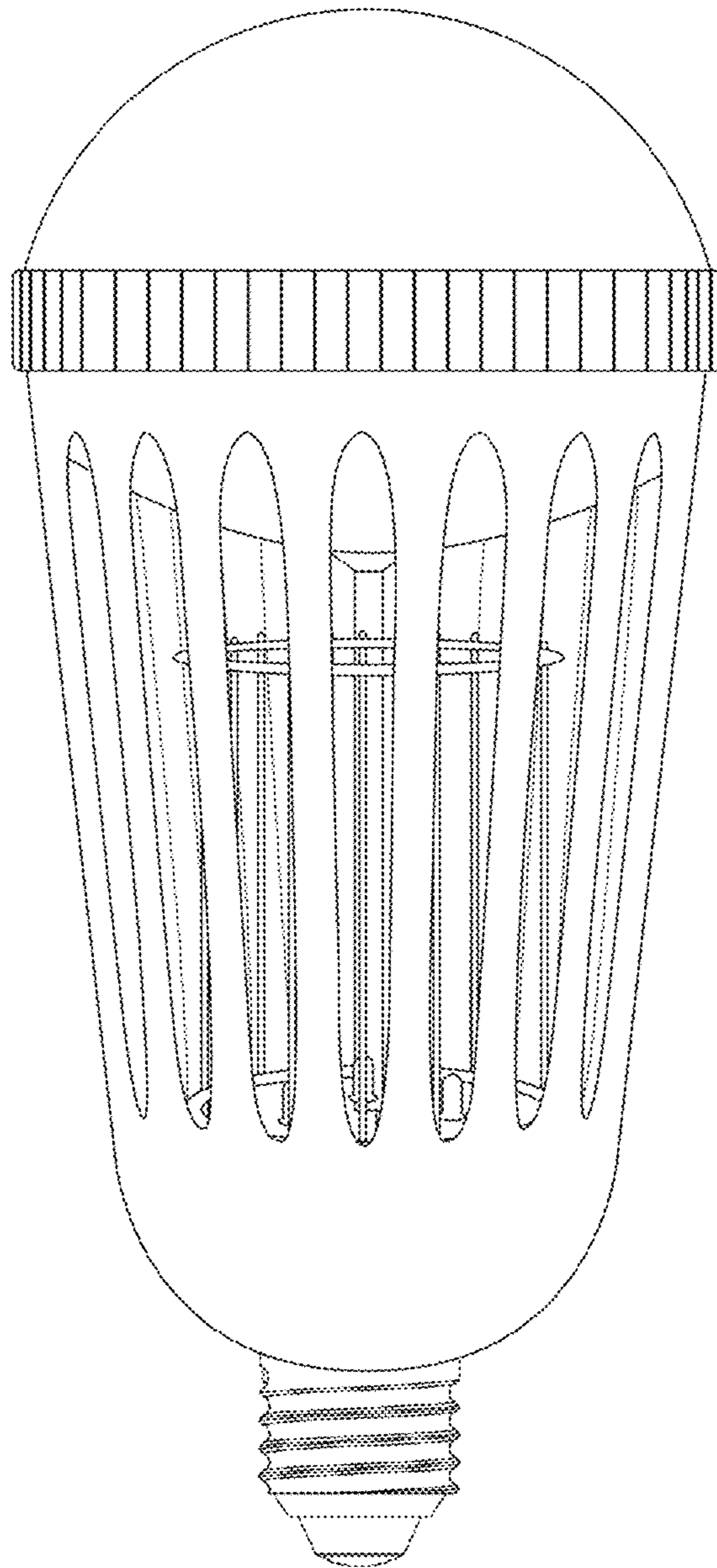
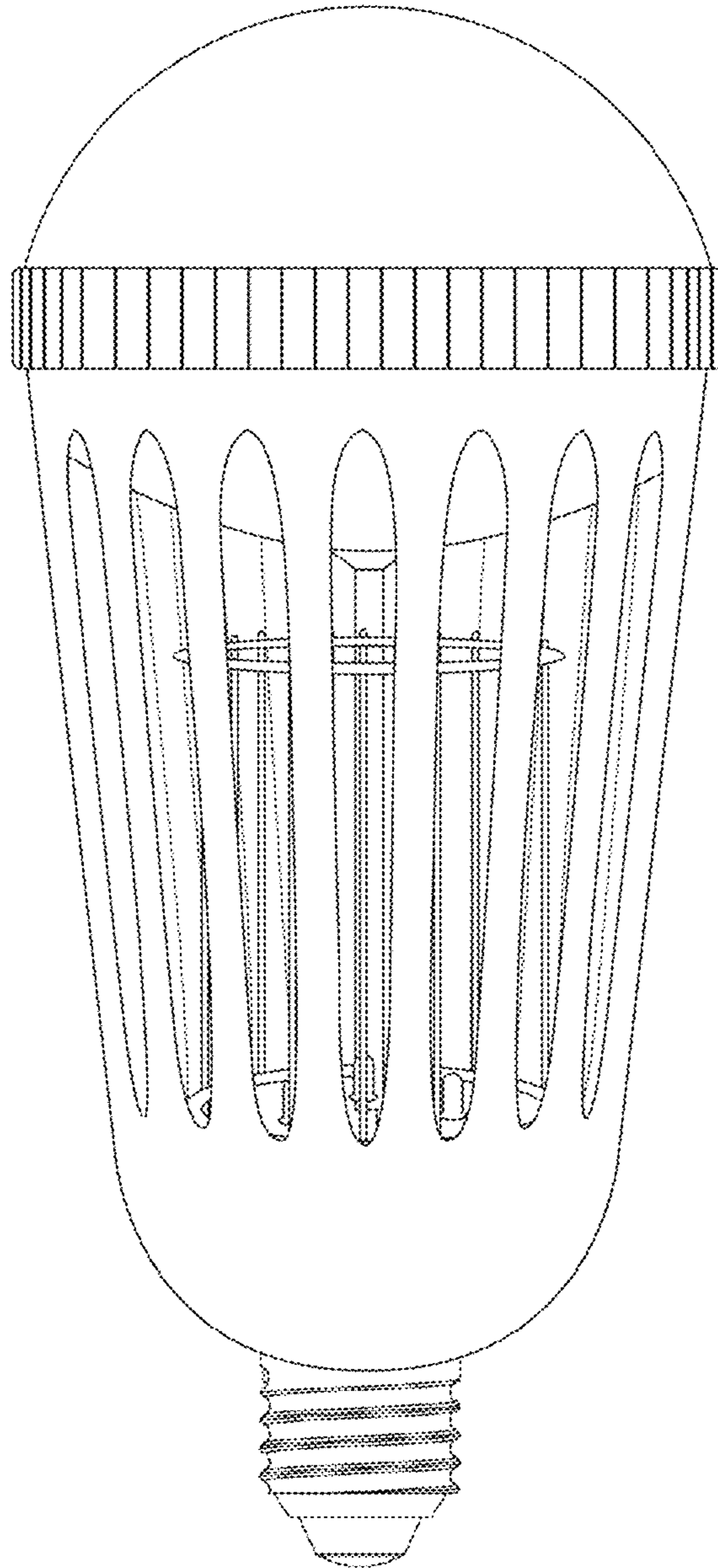
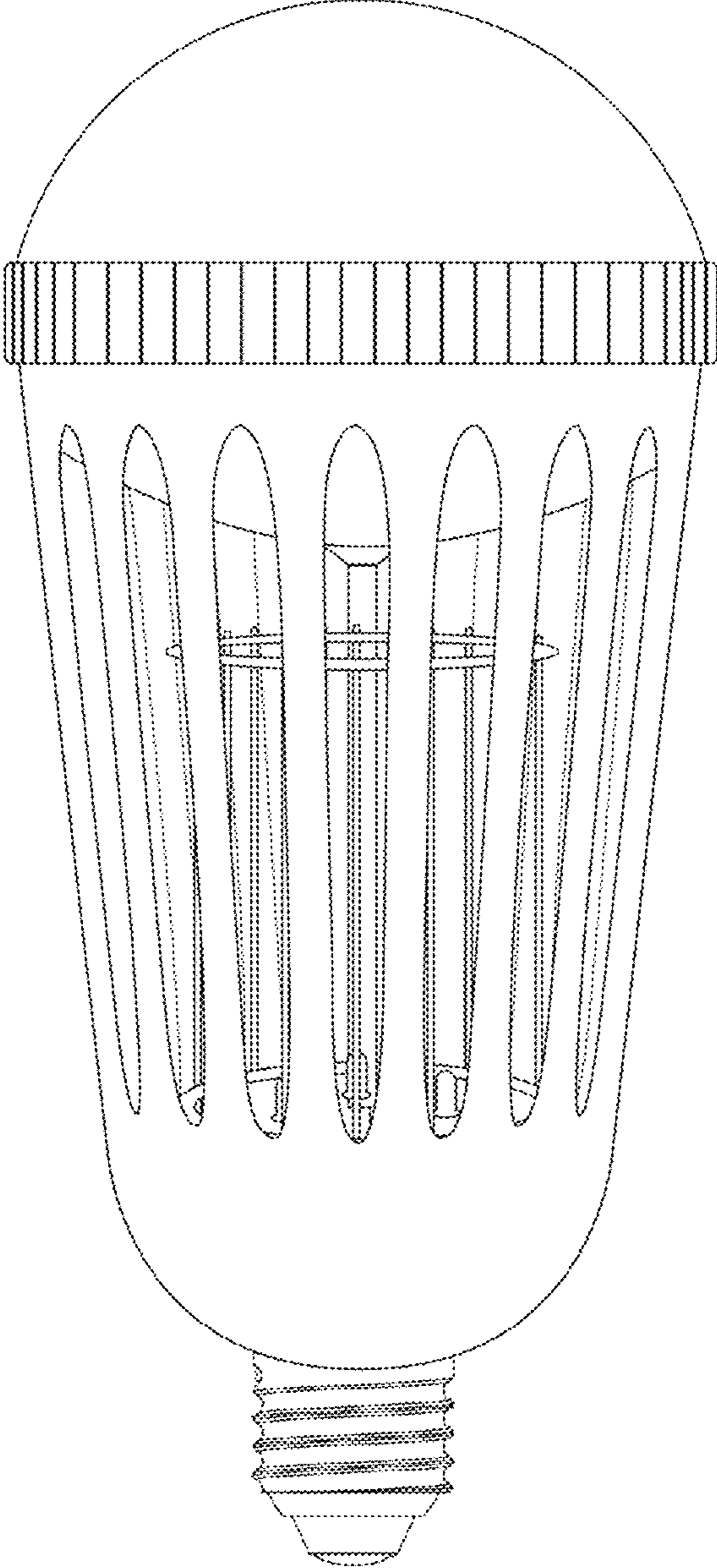


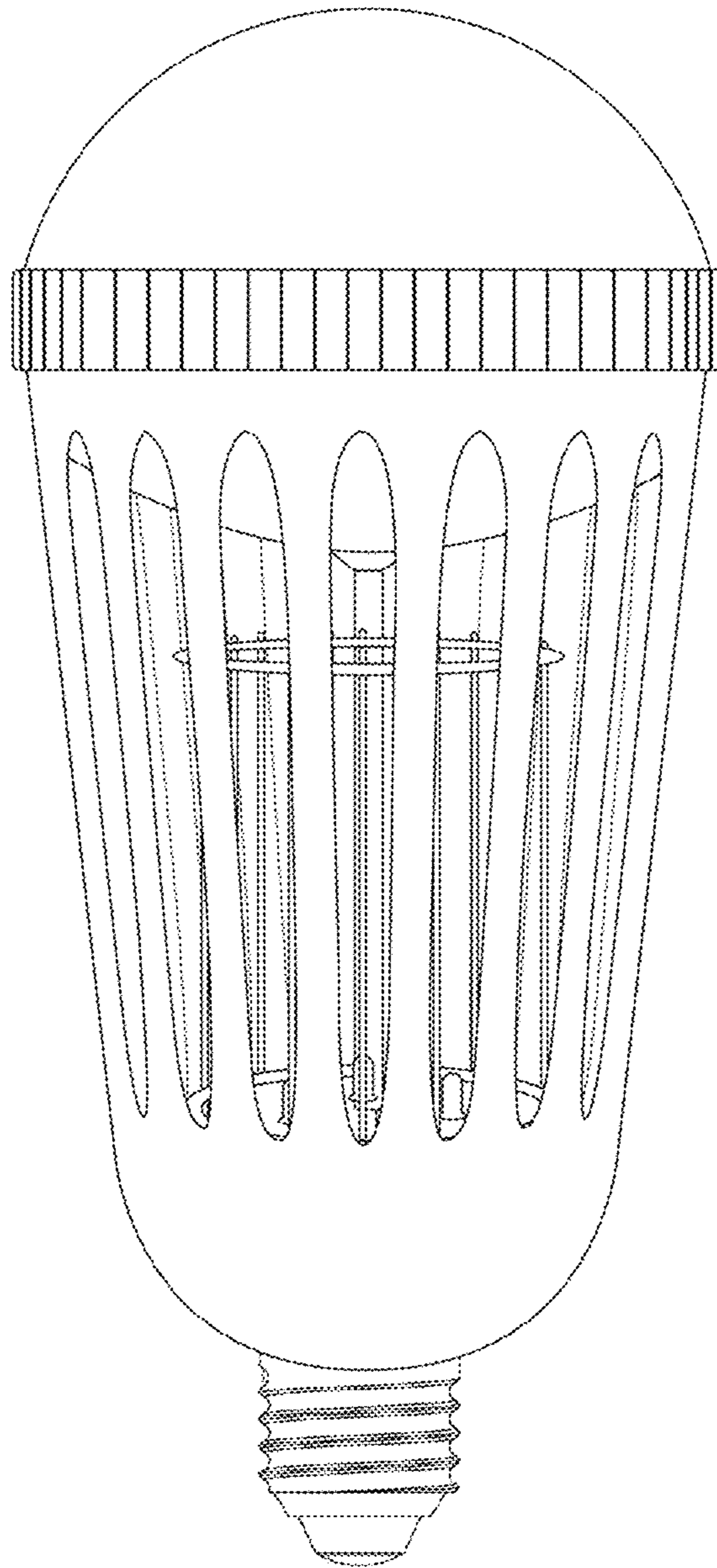
FIG. 1



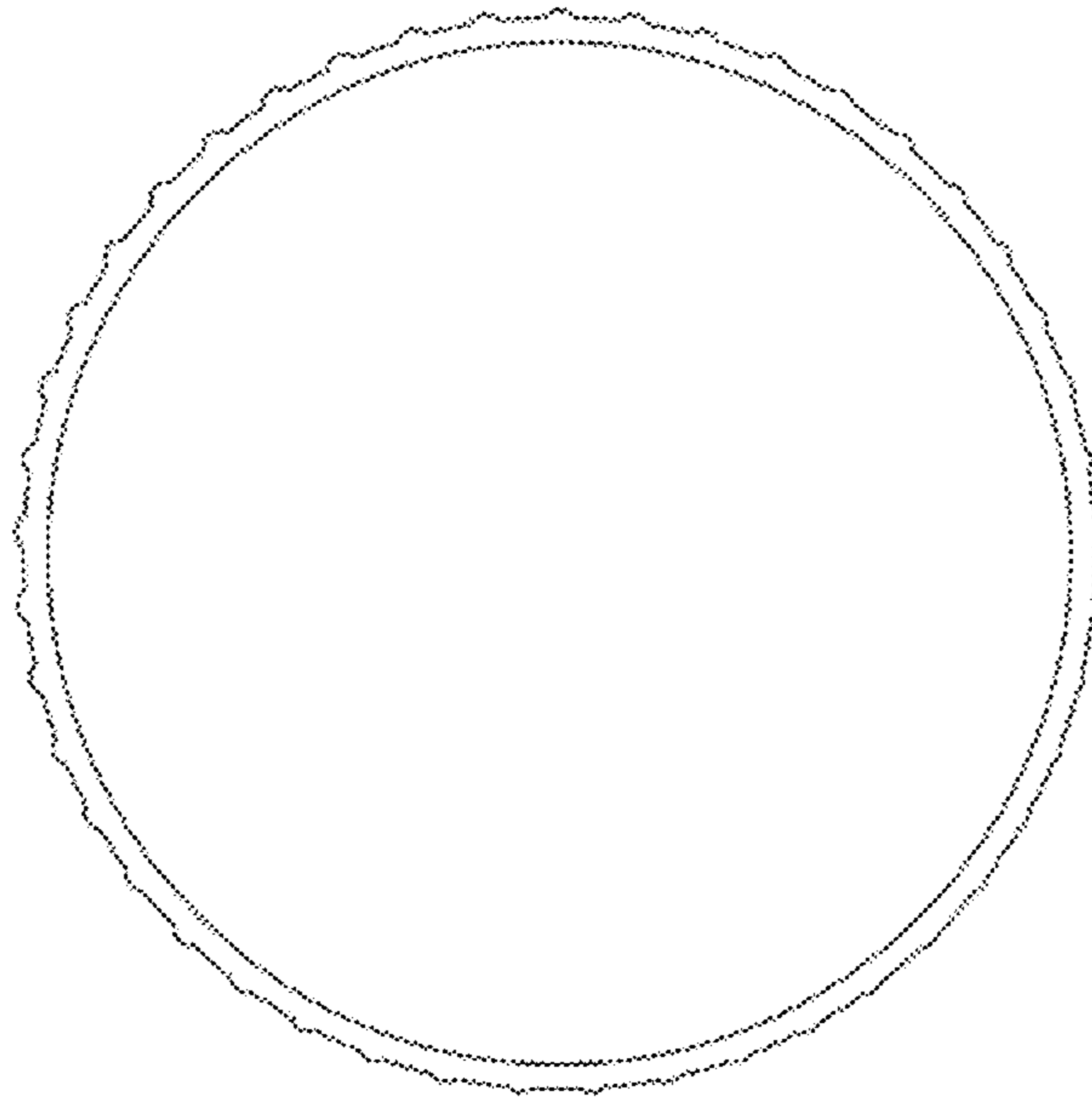
**FIG. 2**



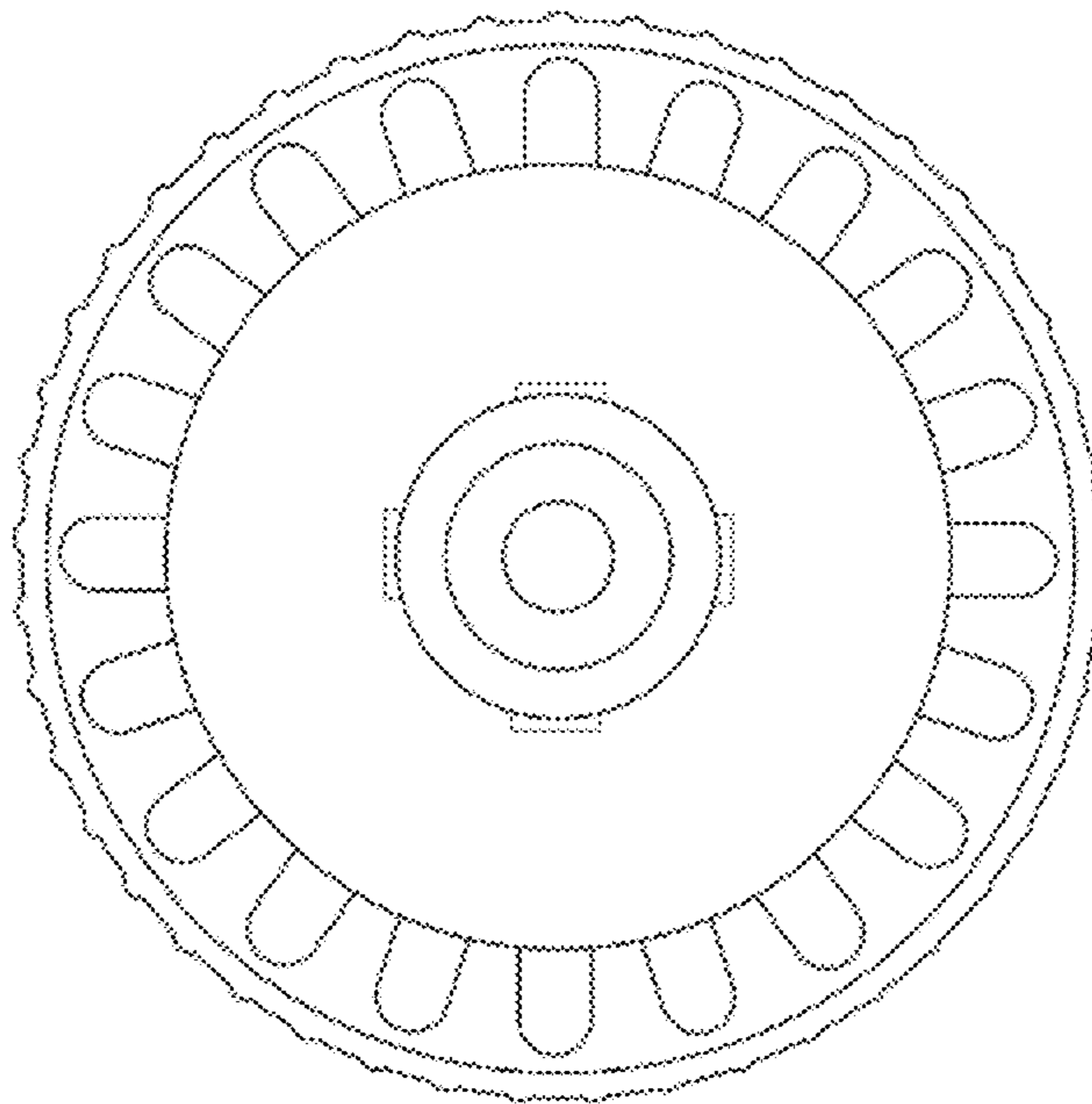
**FIG. 3**



**FIG. 4**



**FIG. 5**



**FIG. 6**