

US00D899554S

(12) **United States Design Patent** (10) **Patent No.:** **US D899,554 S**
Elman (45) **Date of Patent:** **** Oct. 20, 2020**

(54) **WEARABLE CONTROLLED RELEASE DEVICE FOR DISPERSION OF ACTIVE INGREDIENTS AND SUBSTANCES**

(71) Applicant: **Noel Elman**, Brookline, MA (US)

(72) Inventor: **Noel Elman**, Brookline, MA (US)

(**) Term: **15 Years**

(21) Appl. No.: **29/659,942**

(22) Filed: **Aug. 14, 2018**

(51) **LOC (12) Cl.** **22-06**

(52) **U.S. Cl.**
USPC **D22/122; D3/215**

(58) **Field of Classification Search**
USPC **D22/122, 119, 120, 136; D3/215;**
43/107, 114, 121; 119/654, 857, 859;
2/311; 239/34, 36, 53, 55-56
(Continued)

(56) **References Cited**

U.S. PATENT DOCUMENTS

1,732,028 A * 10/1929 Reiner A01M 1/2044
239/36
2,418,878 A * 4/1947 Harkins A01M 1/2044
239/53

(Continued)

Primary Examiner — Catherine R Oliver-Garcia

(74) *Attorney, Agent, or Firm* — QuickPatents, LLC;
Kevin Prince

(57) **CLAIM**

I claim the ornamental design for a wearable controlled release device for dispersion of active ingredients and substances, as shown and described.

DESCRIPTION

FIG. 1 is a top perspective view of a wearable controlled release device for dispersion of active ingredients and substances, showing a first embodiment of my new design;

FIG. 2 is a bottom perspective view of FIG. 1;
FIG. 3 is a front elevational view of FIG. 1;
FIG. 4 is a rear elevational view of FIG. 1;
FIG. 5 is a left-side elevational view of FIG. 1;
FIG. 6 is a right-side elevational view of FIG. 1;
FIG. 7 is an enlarged top plan view of FIG. 1;
FIG. 8 is an enlarged bottom plan view of FIG. 1;
FIG. 9 is an exploded top perspective view of FIG. 1;
FIG. 10 is an exploded bottom perspective view of FIG. 1;
FIG. 11 is an exploded front elevational view of FIG. 1;
FIG. 12 is an exploded rear elevational view of FIG. 1;
FIG. 13 is an exploded left-side elevational view of FIG. 1;
FIG. 14 is an exploded right-side elevational view of FIG. 1;
FIG. 15 is an enlarged exploded top plan view of FIG. 1;
FIG. 16 is an enlarged exploded bottom plan view of FIG. 1;
FIG. 17 is a top perspective view of a second embodiment thereof;
FIG. 18 is a bottom perspective view of FIG. 17;
FIG. 19 is a front elevational view of FIG. 17;
FIG. 20 is a rear elevational view of FIG. 17;
FIG. 21 is a left-side elevational view of FIG. 17;
FIG. 22 is a right-side elevational view of FIG. 17;
FIG. 23 is an enlarged top plan view of FIG. 17;
FIG. 24 is an enlarged bottom plan view of FIG. 17;
FIG. 25 is an exploded top perspective view of FIG. 17;
FIG. 26 is an exploded bottom perspective view of FIG. 17;
FIG. 27 is an exploded front elevational view of FIG. 17;
FIG. 28 is an exploded rear elevational view of FIG. 17;
FIG. 29 is an exploded left-side elevational view of FIG. 17;
FIG. 30 is an exploded right-side elevational view of FIG. 17;
FIG. 31 is an enlarged exploded top plan view of FIG. 17;
FIG. 32 is an enlarged exploded bottom plan view of FIG. 17;
FIG. 33 is a top perspective view of a third embodiment thereof;
FIG. 34 is a bottom perspective view of FIG. 33;
FIG. 35 is a front elevational view of FIG. 33;
FIG. 36 is a rear elevational view of FIG. 33;
FIG. 37 is a left-side elevational view of FIG. 33;
FIG. 38 is a right-side elevational view of FIG. 33;
FIG. 39 is an enlarged exploded top plan view of FIG. 33;
(Continued)



FIG. 40 is an enlarged exploded bottom plan view of FIG. 33;
 FIG. 41 is an exploded top perspective view of FIG. 33;
 FIG. 42 is an exploded bottom perspective view of FIG. 33;
 FIG. 43 is an exploded front elevational view of FIG. 33;
 FIG. 44 is an exploded rear elevational view of FIG. 33;
 FIG. 45 is an exploded left-side elevational view of FIG. 33;
 FIG. 46 is an exploded right-side elevational view of FIG. 33;
 FIG. 47 is an exploded top plan view of FIG. 33;
 FIG. 48 is an exploded bottom plan view of FIG. 33;
 FIG. 49 is an exploded top perspective view of a fourth embodiment thereof;
 FIG. 50 is an exploded bottom perspective view of FIG. 49;
 FIG. 51 is an exploded front elevational view of FIG. 49;
 FIG. 52 is an exploded rear elevational view of FIG. 49;
 FIG. 53 is an exploded left-side elevational view of FIG. 49;
 FIG. 54 is an exploded right-side elevational view of FIG. 49;
 FIG. 55 is an exploded top plan view of FIG. 49;
 FIG. 56 is an exploded bottom plan view of FIG. 49;
 FIG. 57 is an exploded top perspective view of a fifth embodiment thereof;
 FIG. 58 is an exploded bottom perspective view of FIG. 57;
 FIG. 59 is an exploded front elevational view of FIG. 57;
 FIG. 60 is an exploded rear elevational view of FIG. 57;
 FIG. 61 is an exploded left-side elevational view of FIG. 57;
 FIG. 62 is an exploded right-side elevational view of FIG. 57;
 FIG. 63 is an exploded top plan view of FIG. 57; and
 FIG. 64 is an exploded bottom plan view of FIG. 57.
 FIG. 65 is an exploded top perspective view of a sixth embodiment thereof;
 FIG. 66 is an exploded bottom perspective of FIG. 65;
 FIG. 67 is an exploded front elevational view of FIG. 65;
 FIG. 68 is an exploded rear elevational view of FIG. 65;
 FIG. 69 is an exploded left-side elevational view of FIG. 65;
 FIG. 70 is an exploded right-side elevational view of FIG. 65;
 FIG. 71 is an exploded top plan view of FIG. 65; and,
 FIG. 72 is an exploded bottom plan view of FIG. 65.
 The broken lines in the figures depict portions of the wearable controlled release device for dispersion of active

ingredients and substances that form no part of the claimed design. It is understood that the non-exploded views of the first and fourth embodiments are identical, and that the non-exploded views of the second and fifth embodiments are identical, and that the non-exploded views of the third and sixth embodiments are identical.

1 Claim, 33 Drawing Sheets

(58) **Field of Classification Search**

CPC A01M 1/14; A01M 1/103; A01M 1/223;
 A01M 29/34; A01M 2200/011; A61L
 9/12; A44G 15/002; Y02A 50/375; A41D
 9/0002

See application file for complete search history.

(56) **References Cited**

U.S. PATENT DOCUMENTS

| | | | | | |
|--------------|------|---------|-----------------|-------|-----------------------|
| 2,586,761 | A * | 2/1952 | Eskola | | A01M 13/00 119/653 |
| 3,896,995 | A * | 7/1975 | Lelicoff | | A61L 9/12 239/36 |
| 5,155,950 | A * | 10/1992 | Burgeson | | A01M 1/14 43/121 |
| D359,926 | S * | 7/1995 | Plummer | | D11/4 |
| 6,786,424 | B1 * | 9/2004 | Ward | | A01M 29/12 239/34 |
| D505,478 | S * | 5/2005 | Mondelli | | D22/122 |
| D702,313 | S * | 4/2014 | Partrat | | D22/122 |
| D702,315 | S * | 4/2014 | Partrat | | D22/122 |
| 8,956,635 | B2 * | 2/2015 | O'Hara | | A01N 65/44 424/405 |
| D754,278 | S * | 4/2016 | Finkel | | D22/122 |
| D771,370 | S * | 11/2016 | Zhang | | D3/215 |
| D869,597 | S * | 12/2019 | Caballero Tapia | | D22/119 |
| 2003/0075613 | A1 * | 4/2003 | Brown | | A61L 9/12 239/55 |
| 2006/0157578 | A1 * | 7/2006 | Harada | | A61L 9/12 239/36 |
| 2014/0137808 | A1 * | 5/2014 | White | | A01N 25/34 119/654 |
| 2016/0198693 | A1 * | 7/2016 | Haire | | A01M 1/14 43/114 |

* cited by examiner

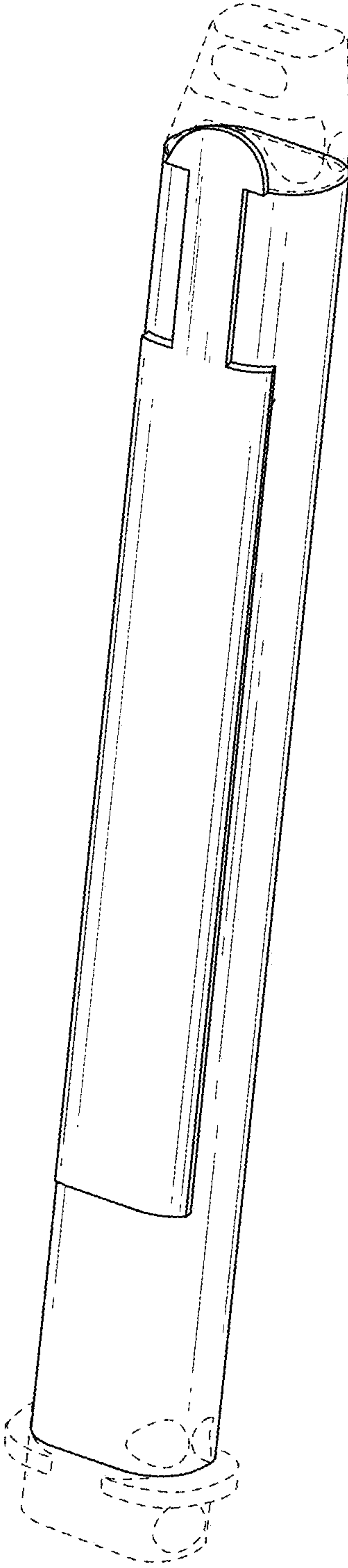


FIG. 1

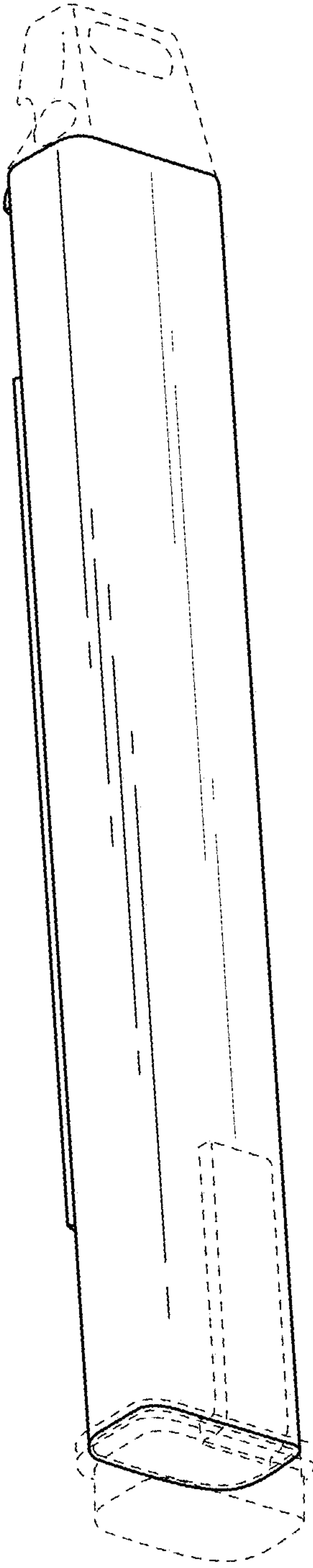


FIG. 2

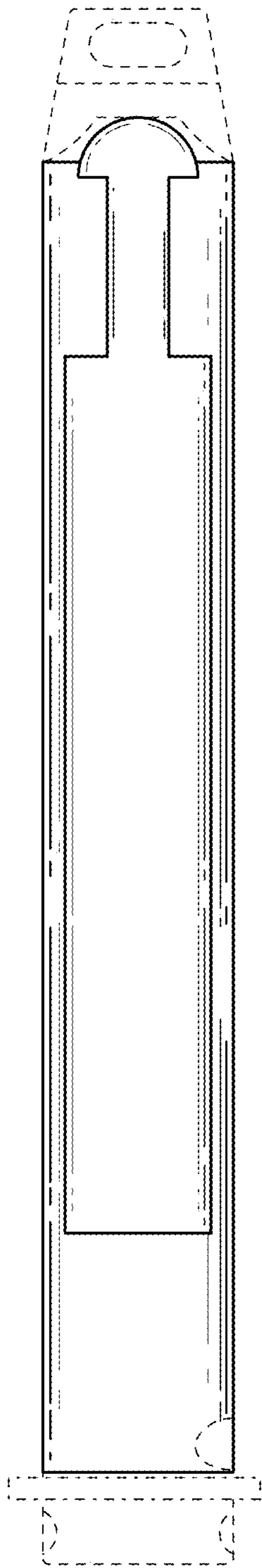


FIG. 3

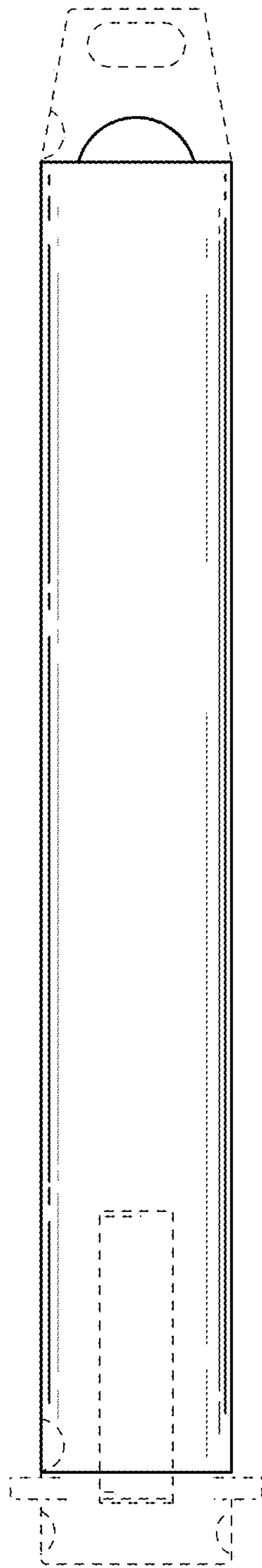


FIG. 4

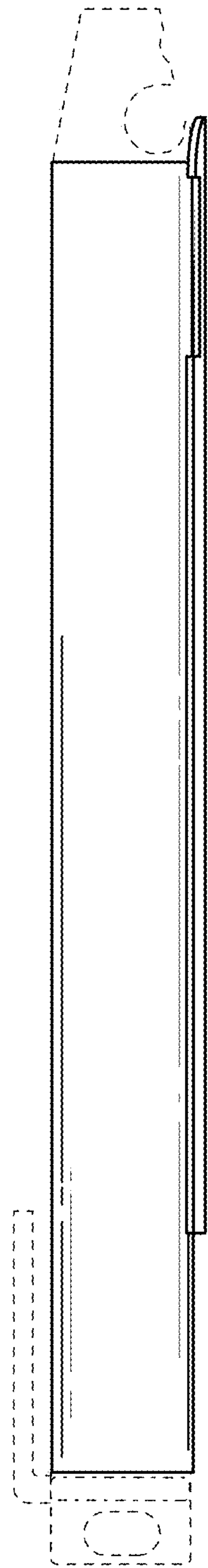


FIG. 5

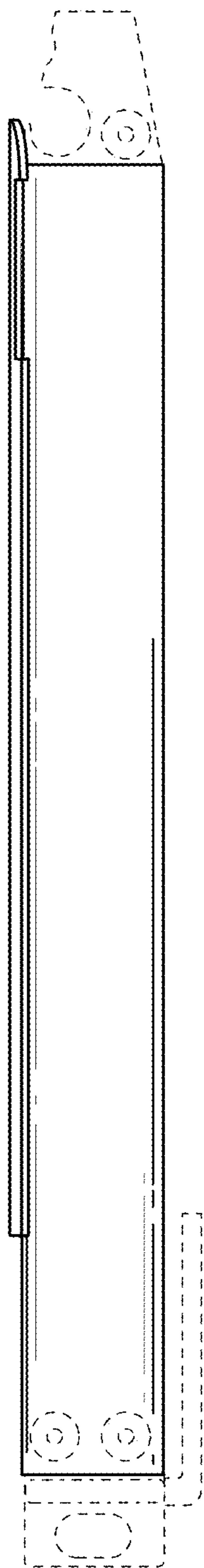


FIG. 6

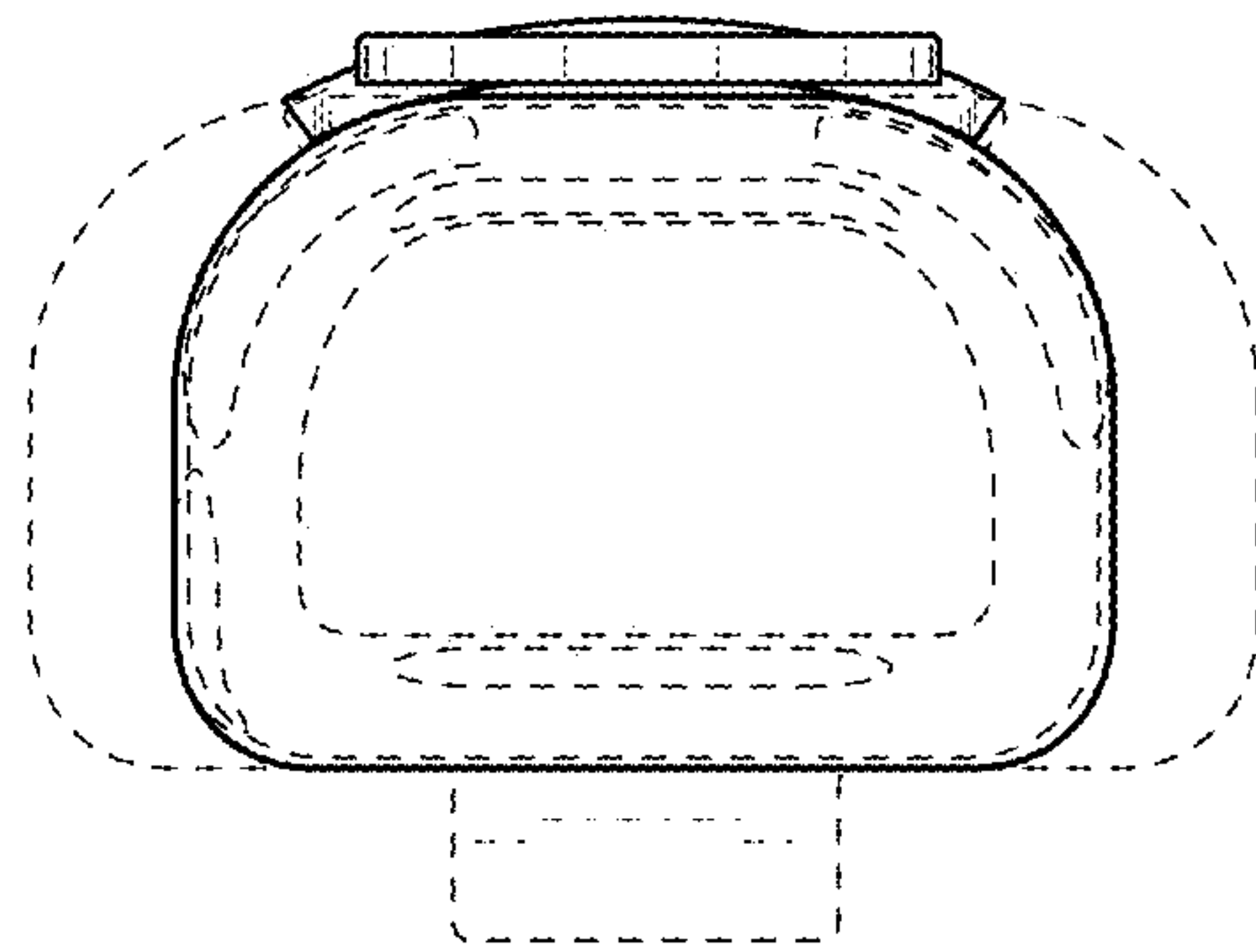


FIG. 7

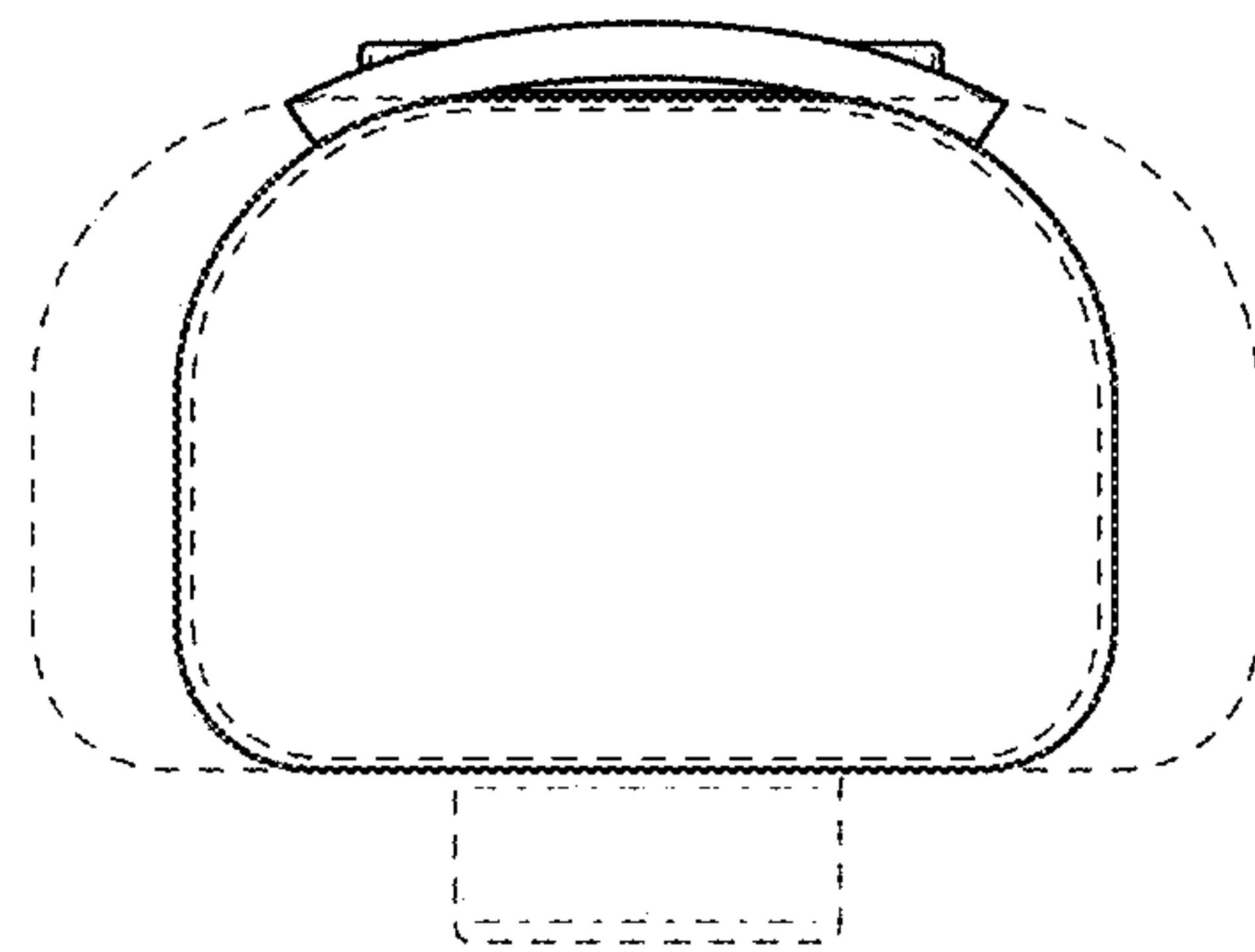


FIG. 8

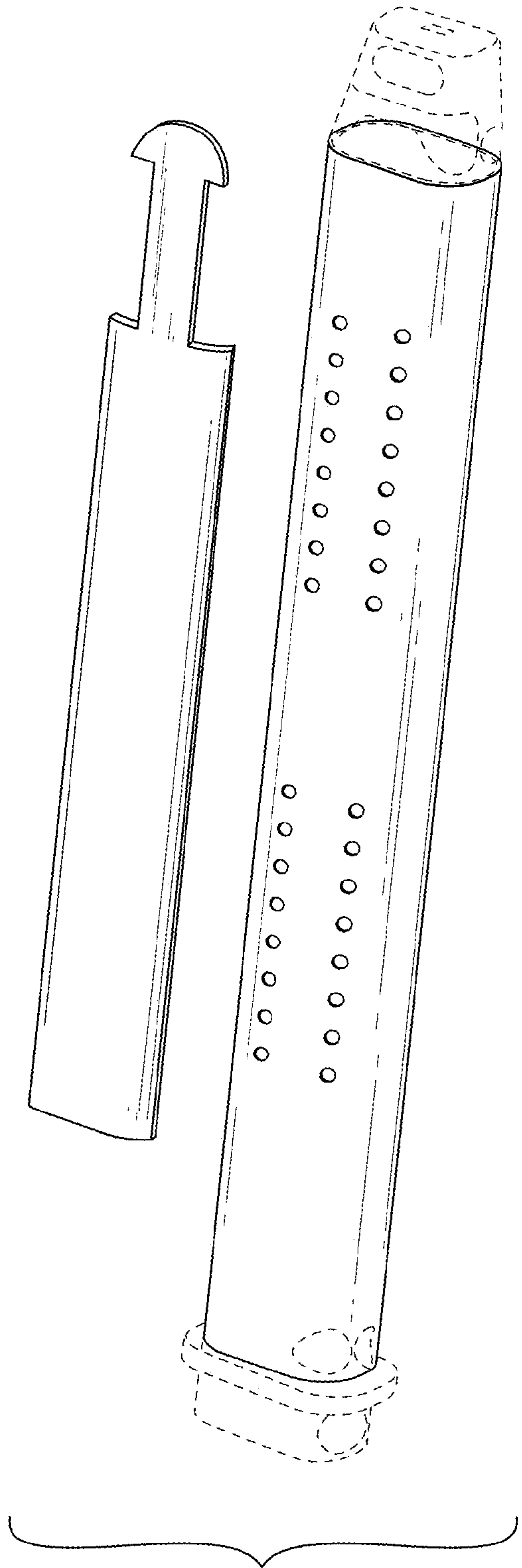


FIG. 9

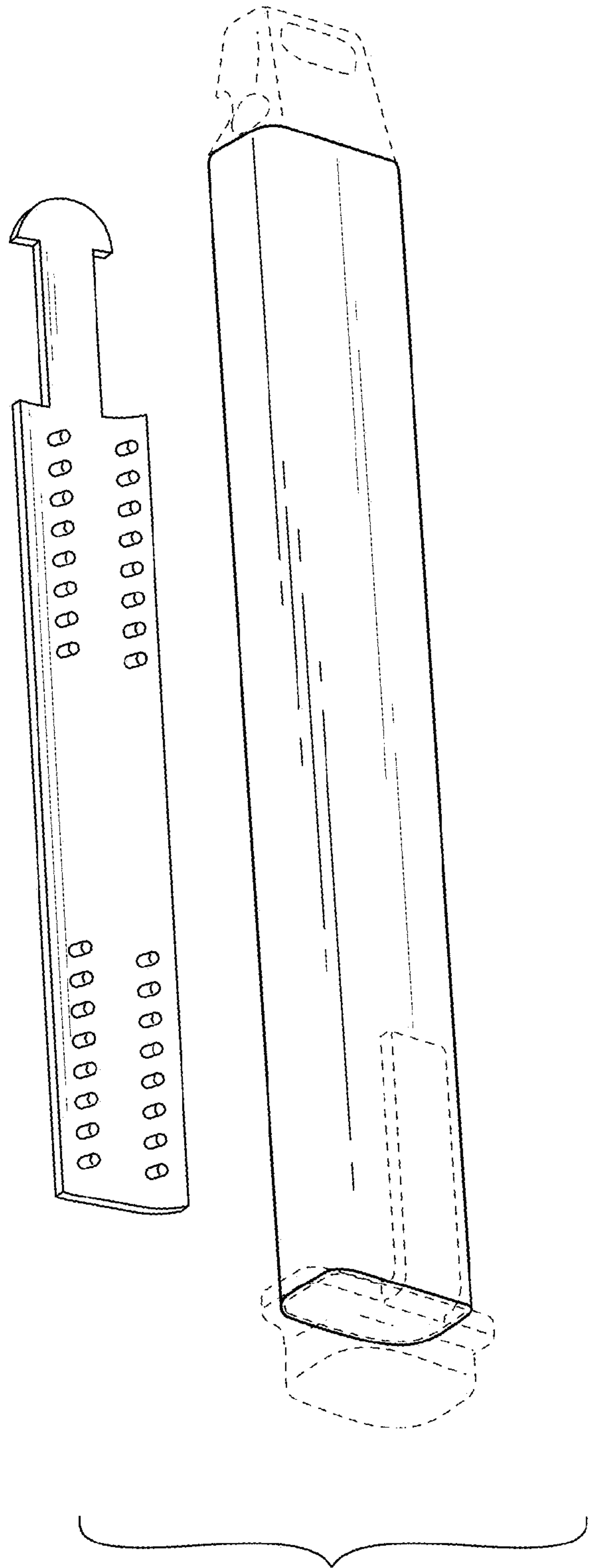


FIG. 10

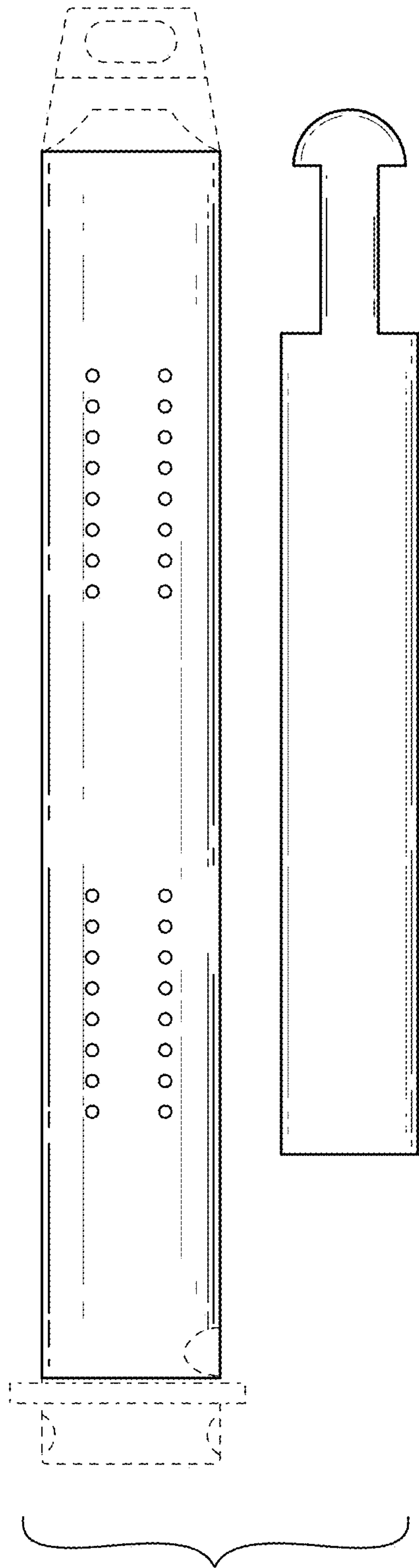


FIG. 11

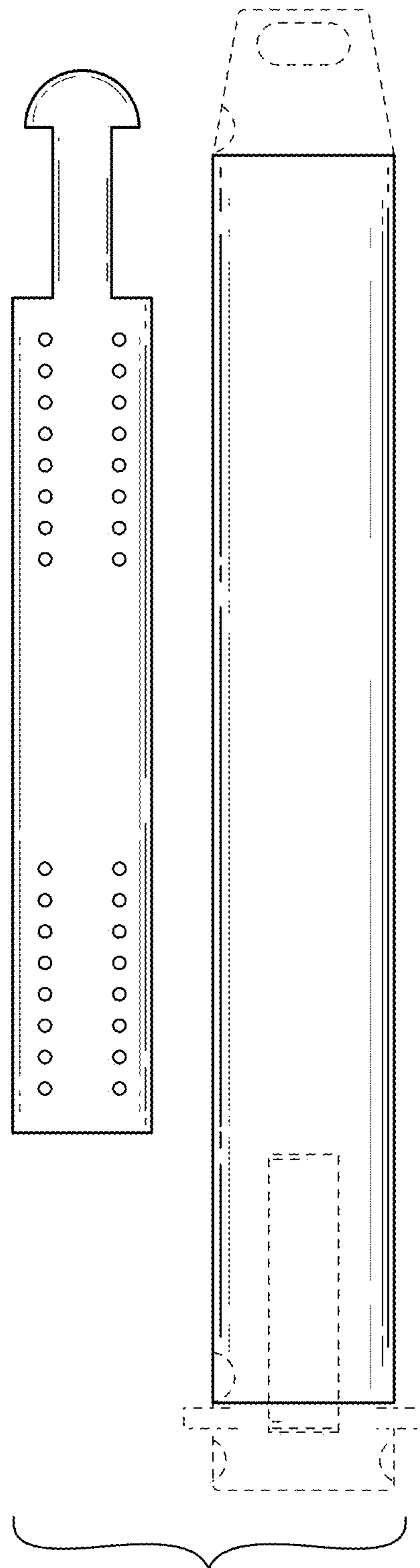


FIG. 12

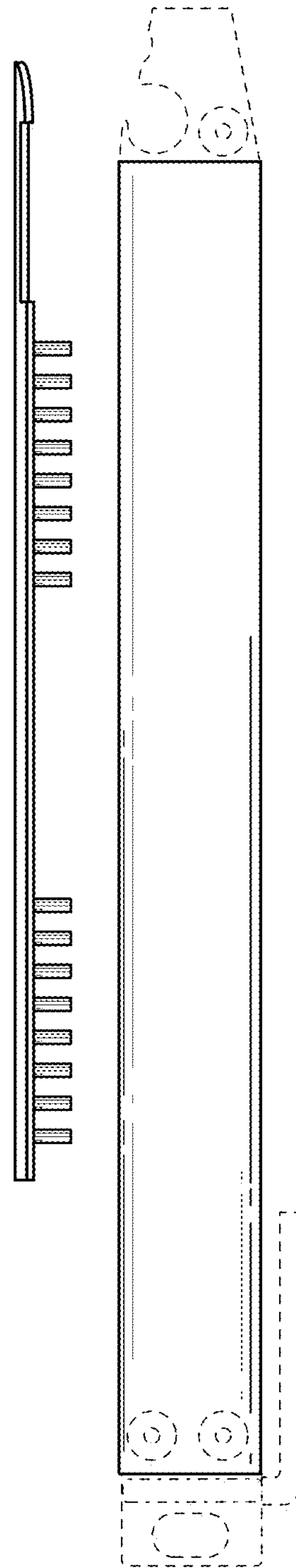
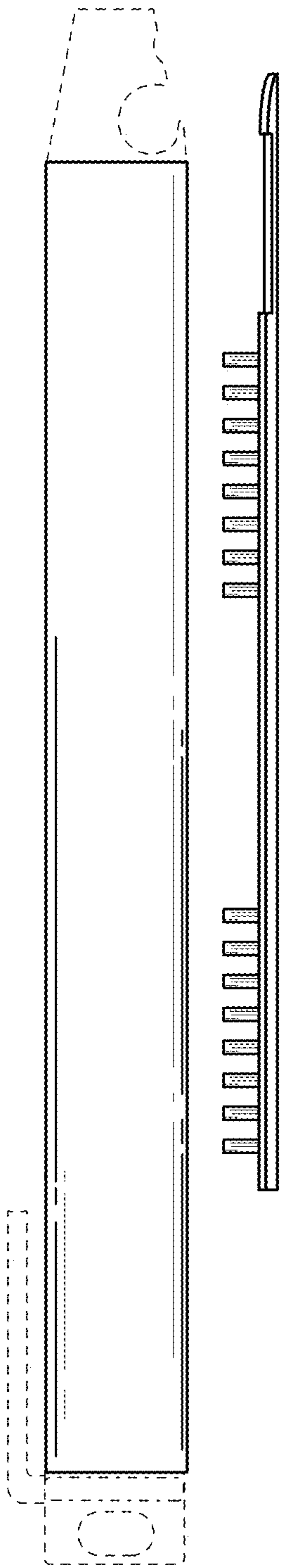
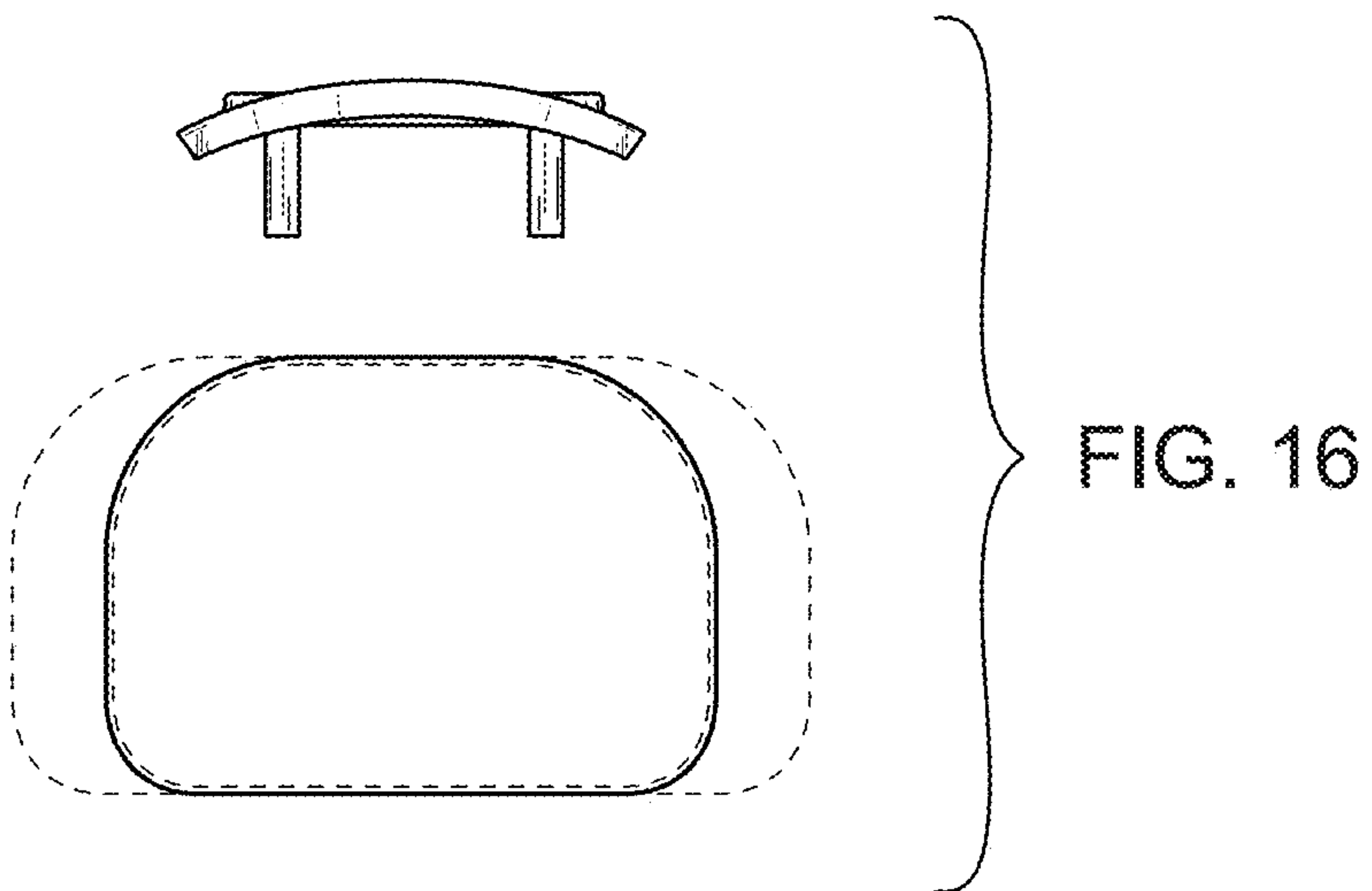
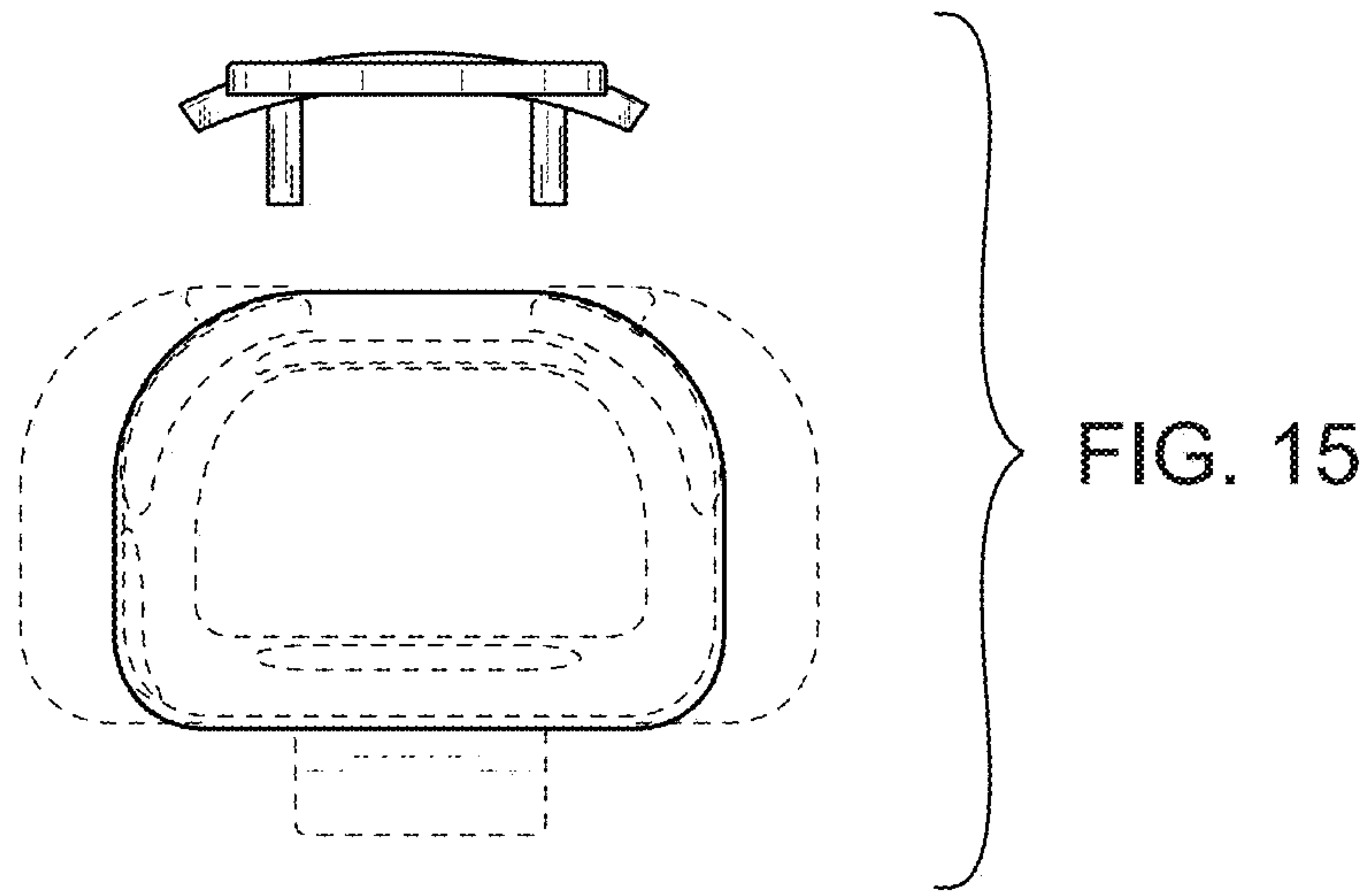


FIG. 13

FIG. 14



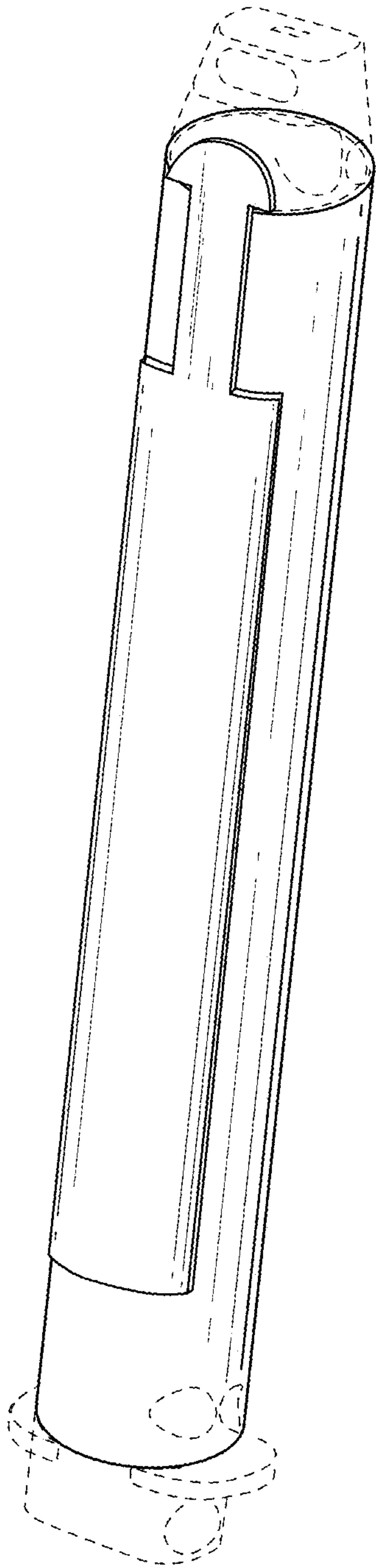


FIG. 17

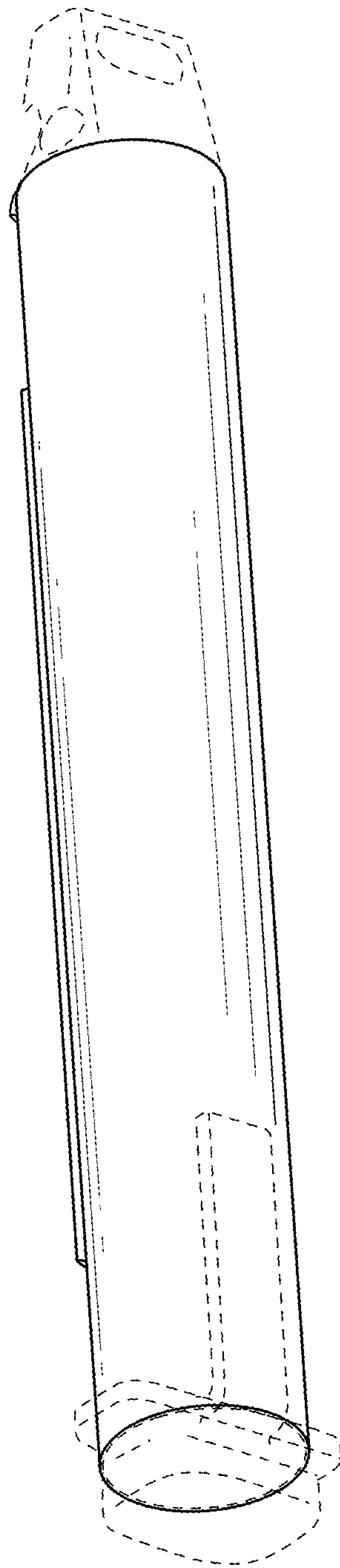


FIG. 18

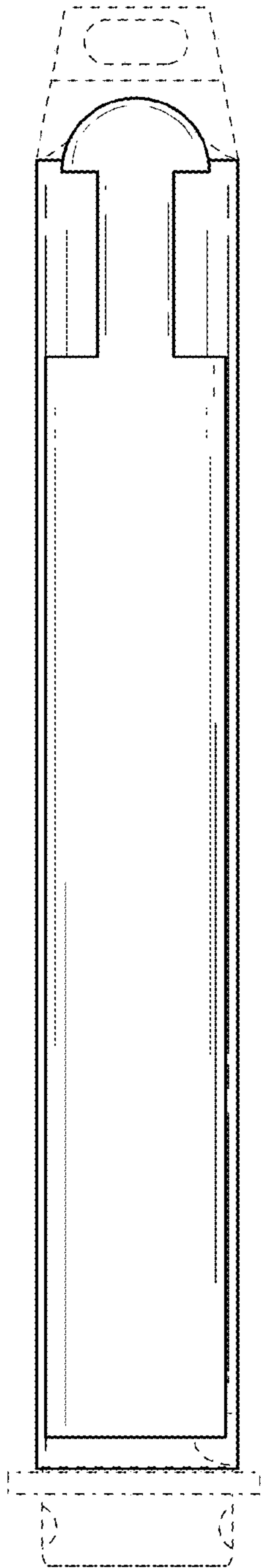


FIG. 19

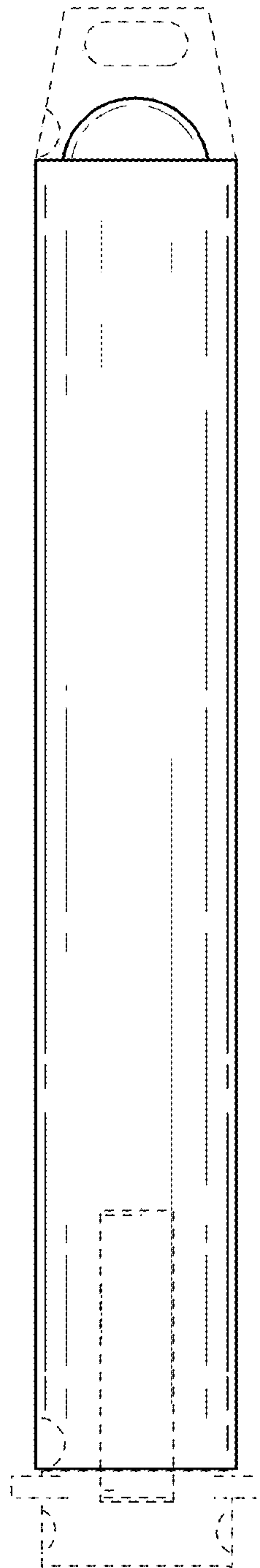


FIG. 20

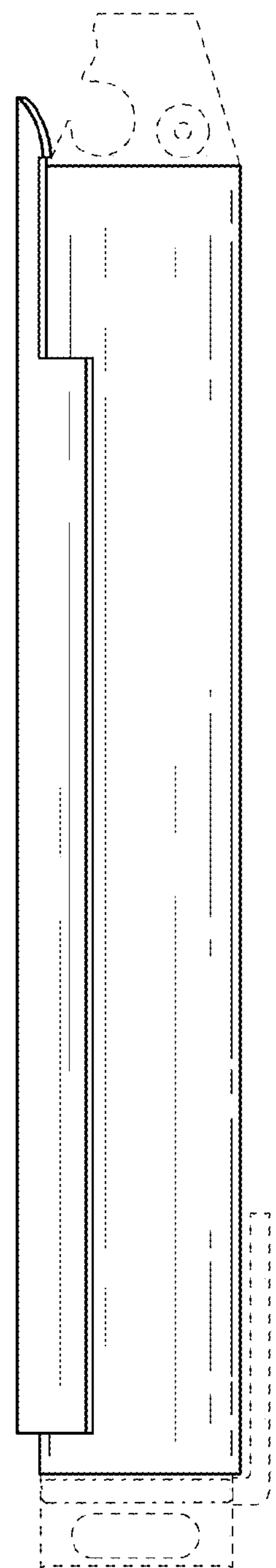


FIG. 21

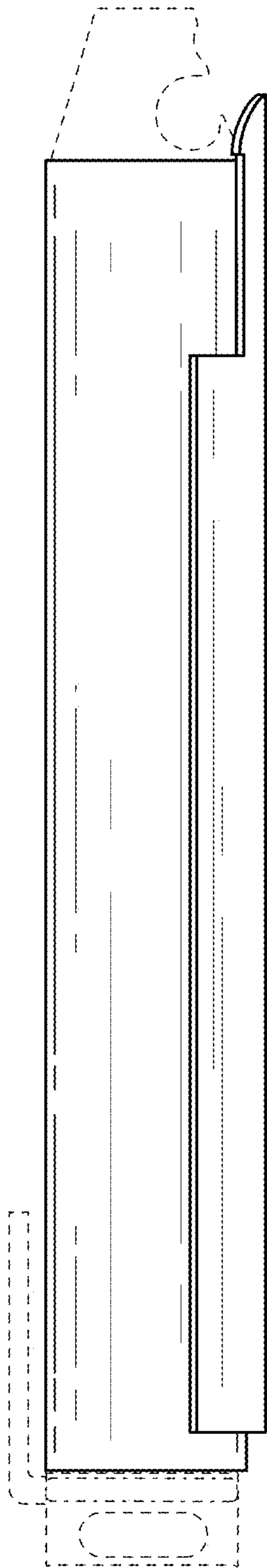


FIG. 22

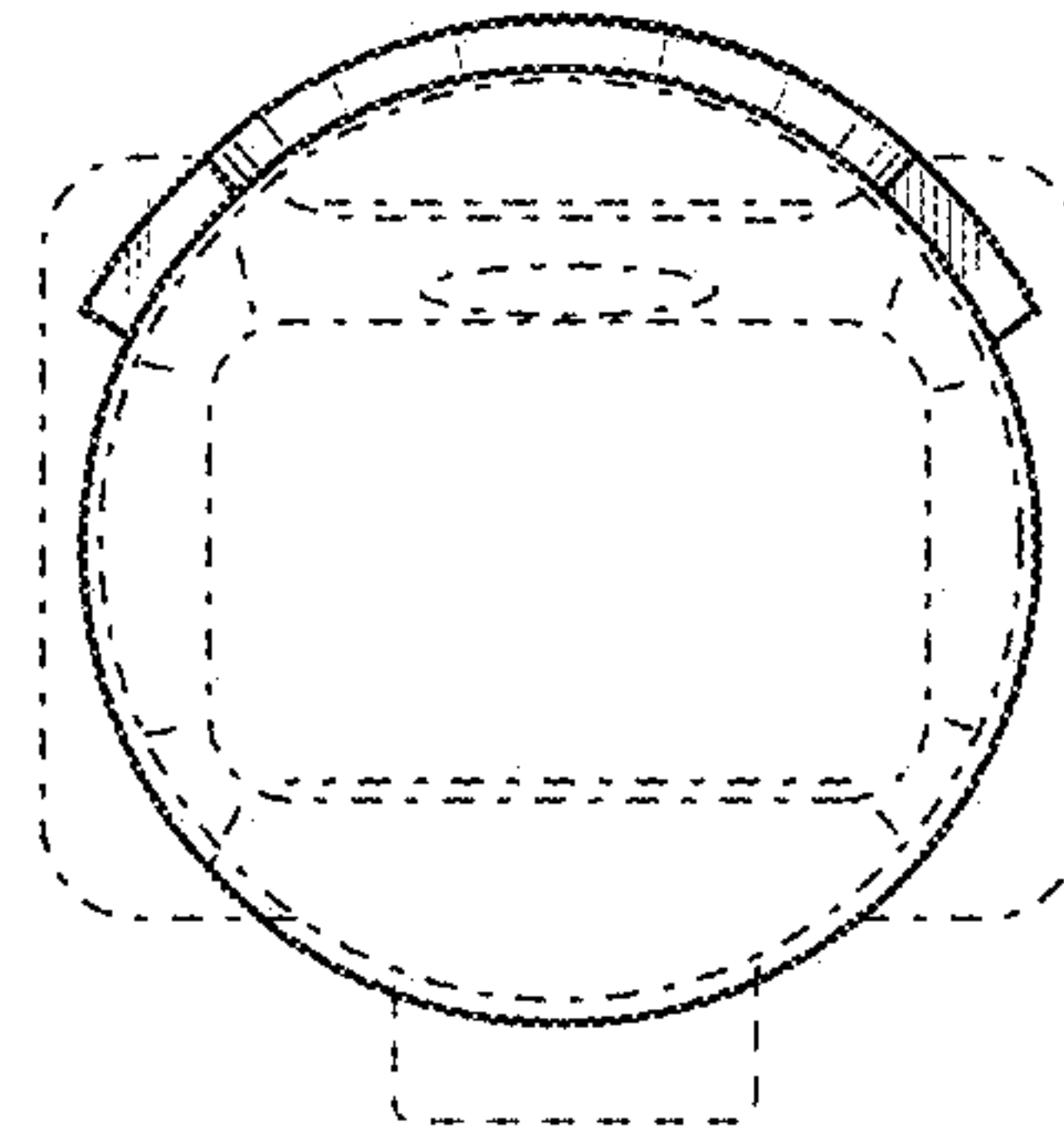


FIG. 23

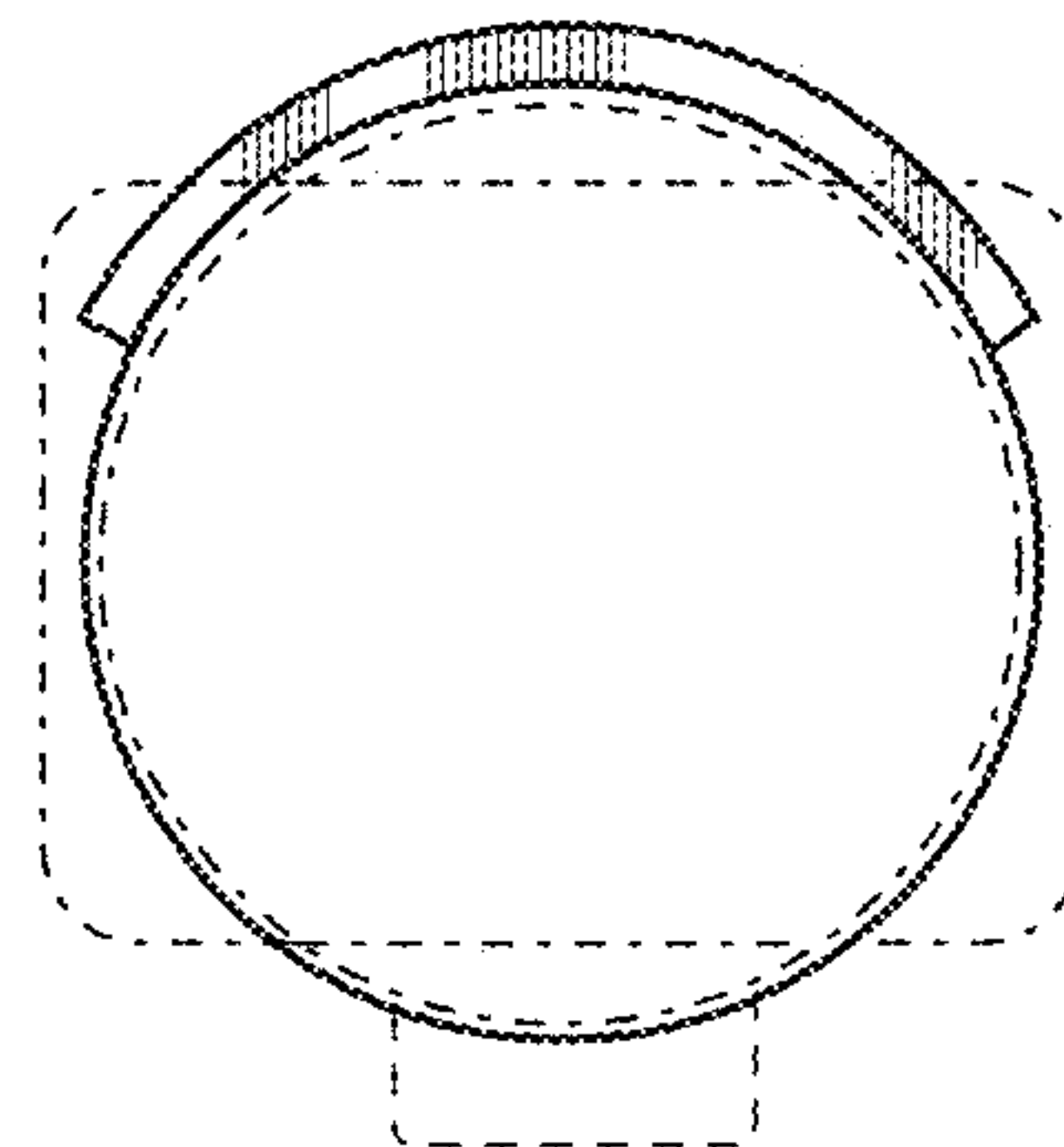


FIG. 24

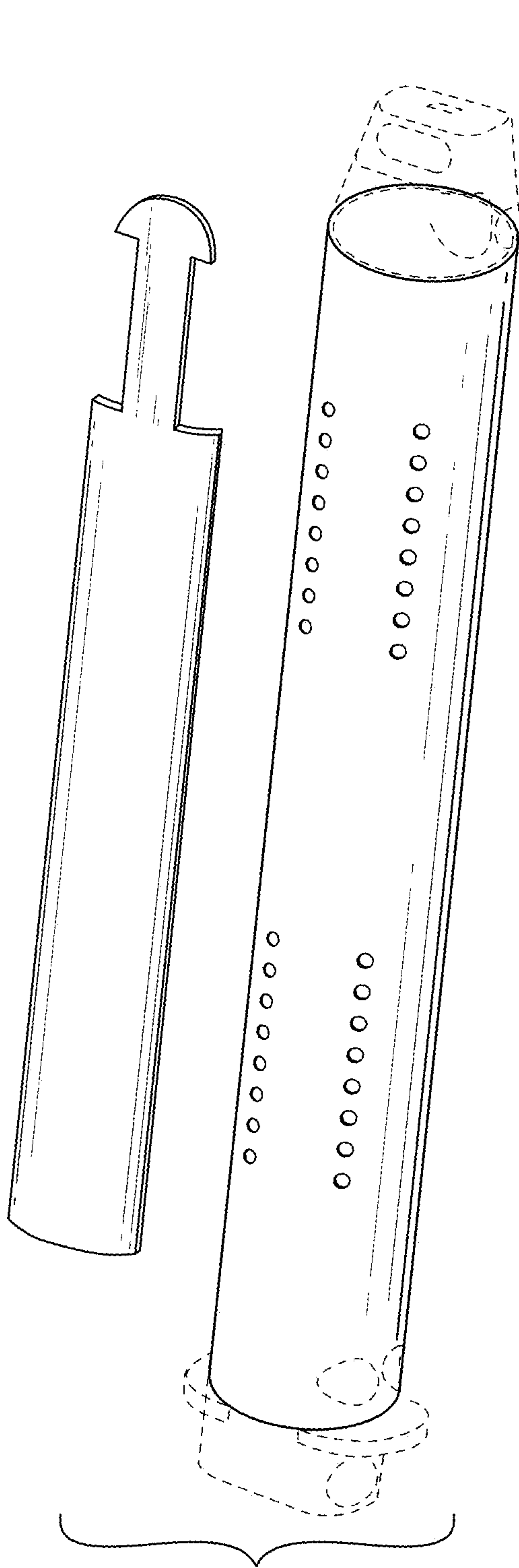


FIG. 25

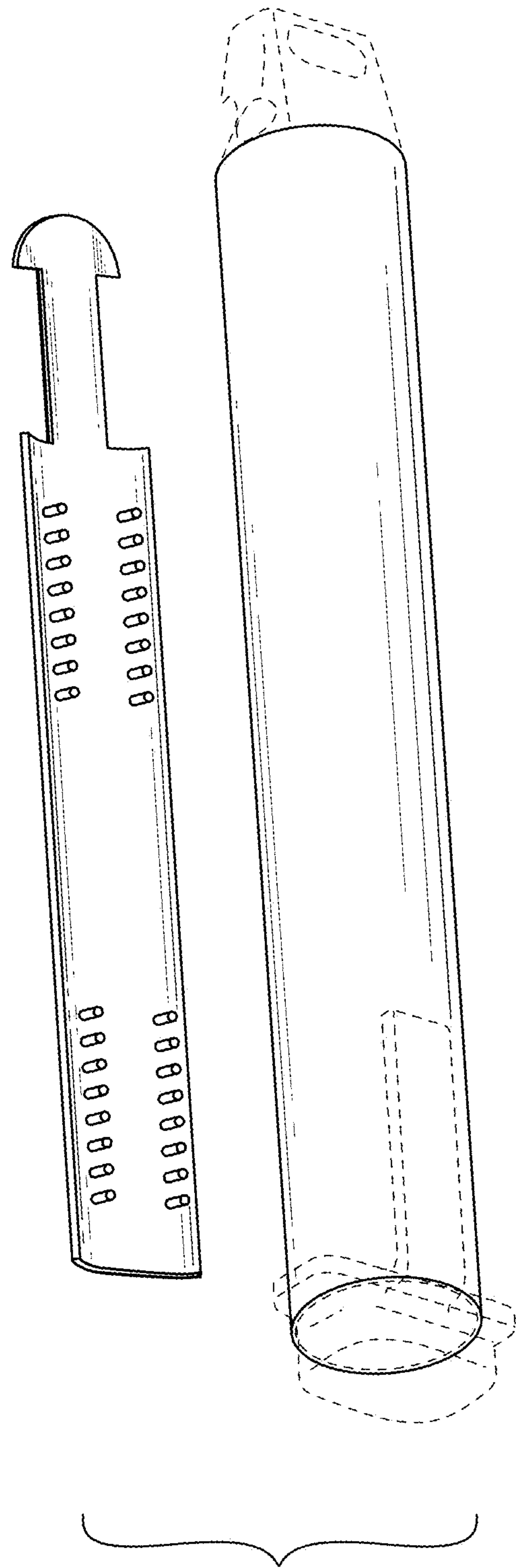


FIG. 26

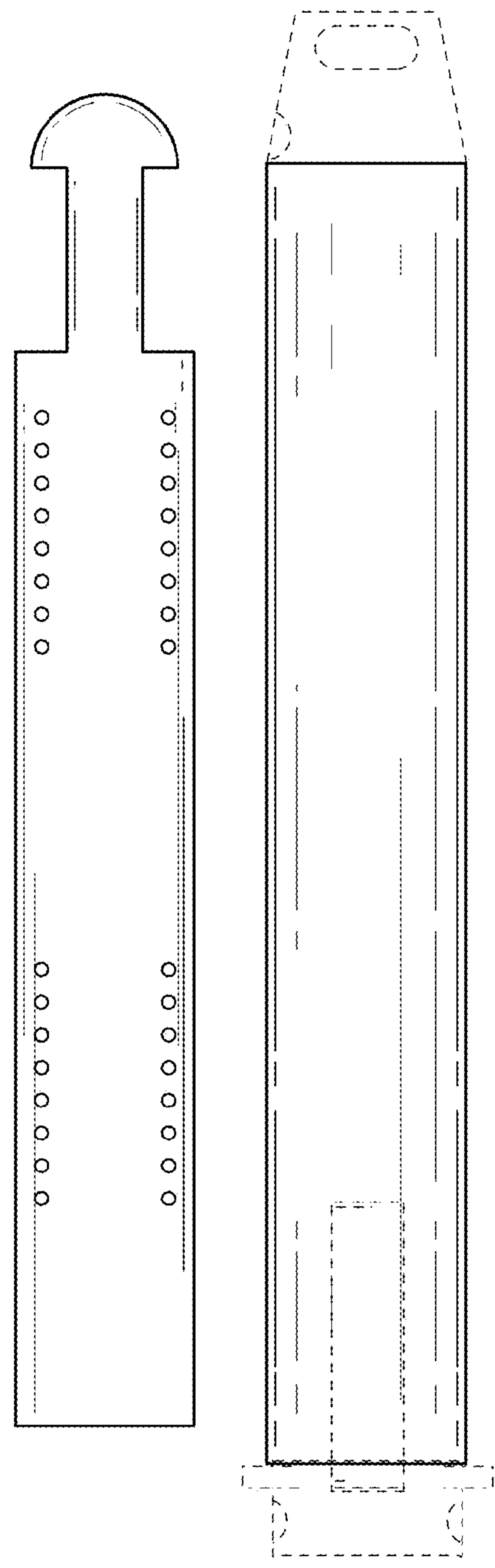
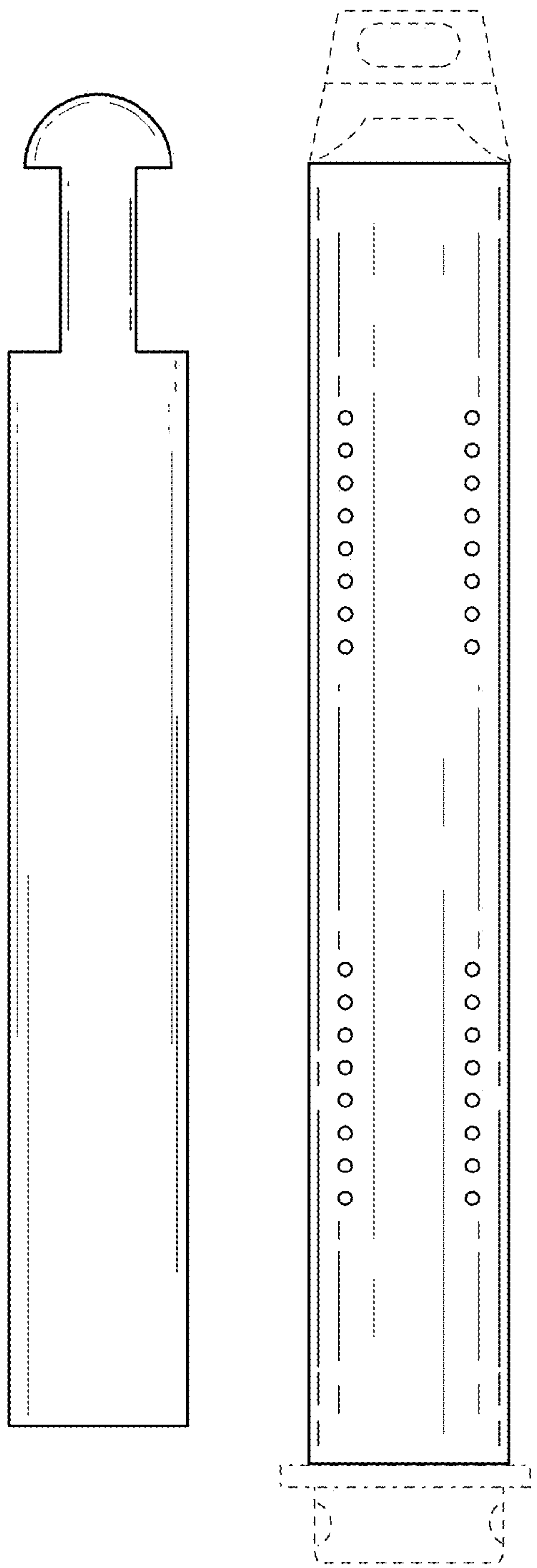
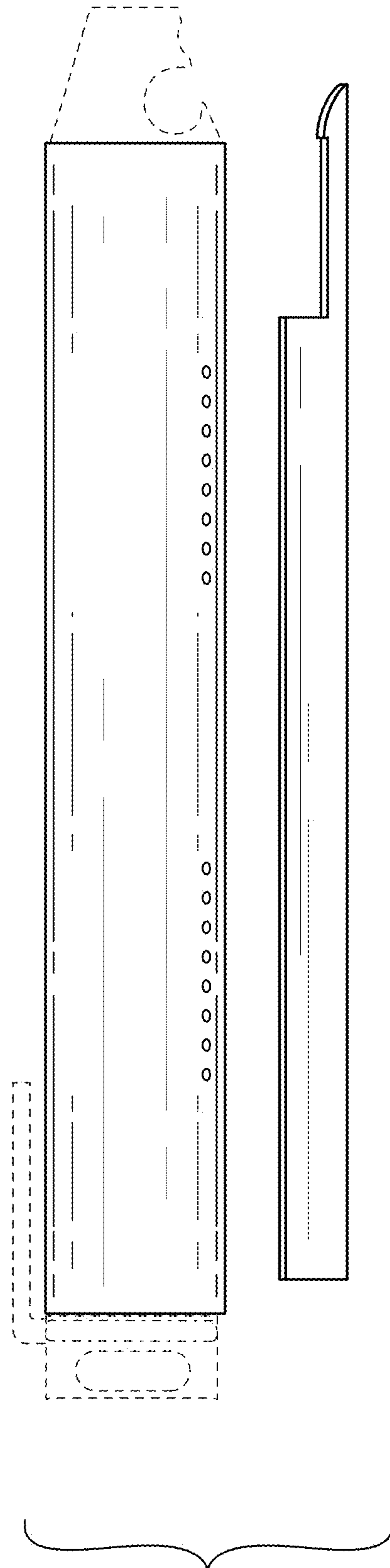
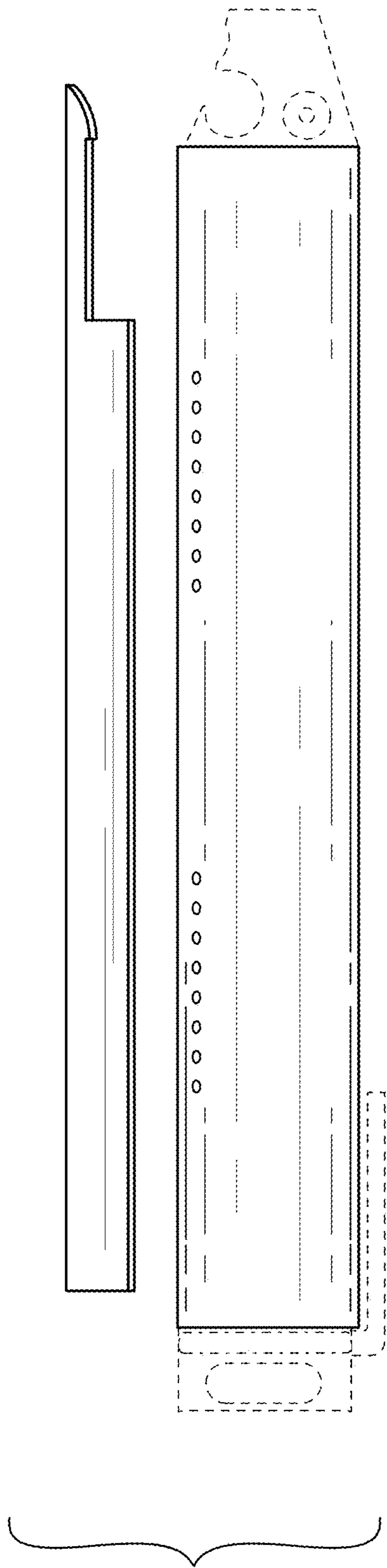
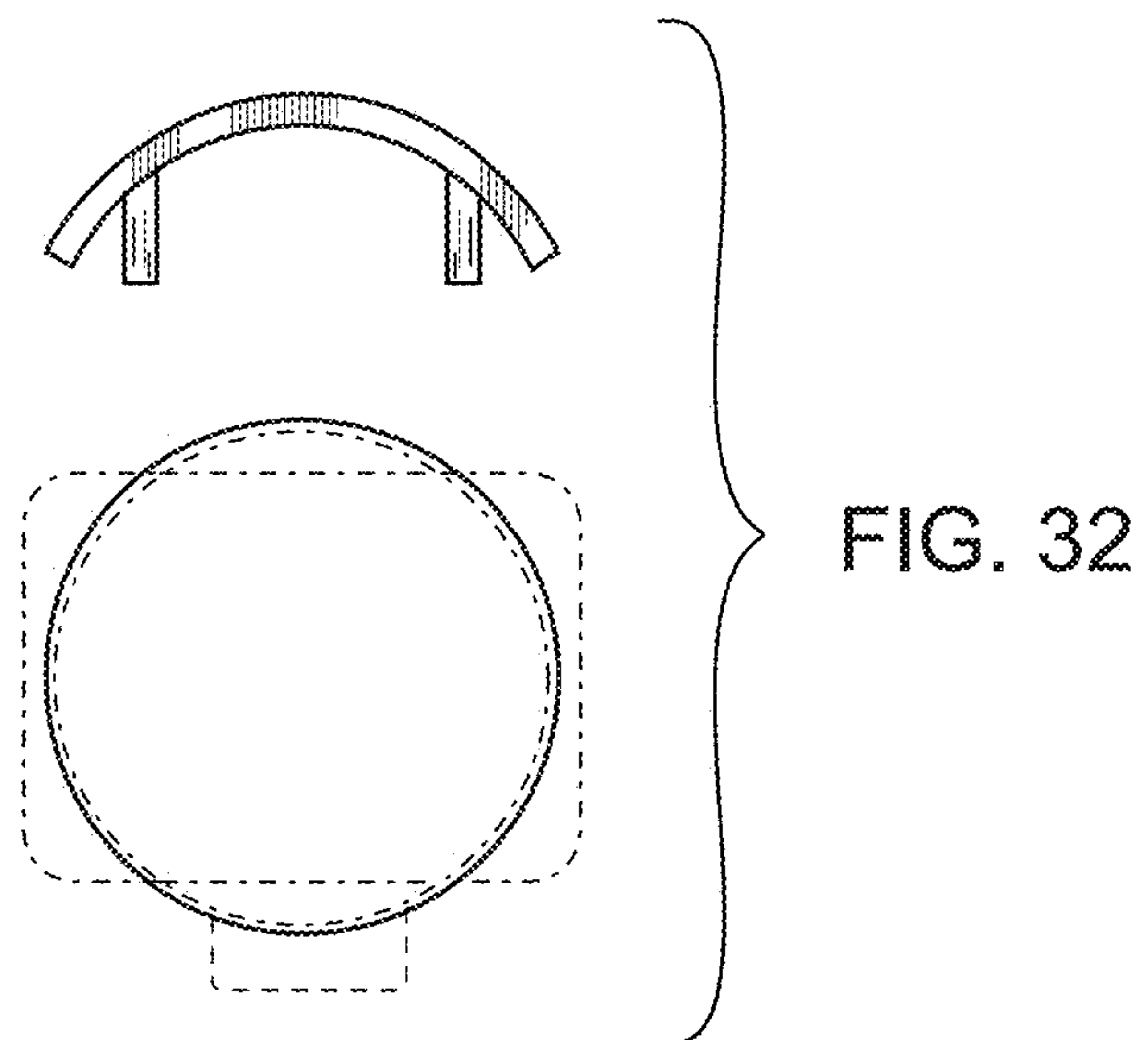
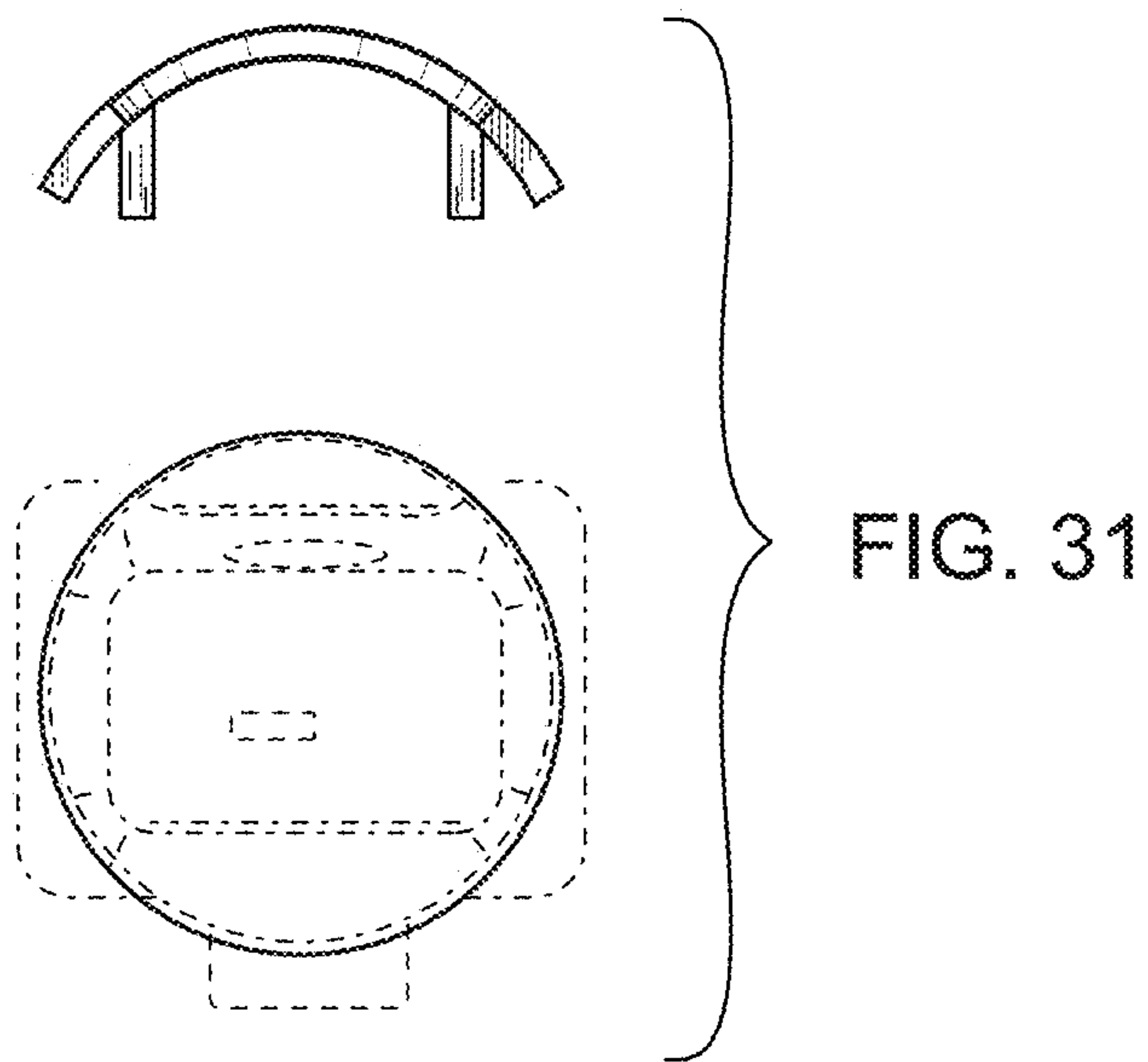


FIG. 27

FIG. 28





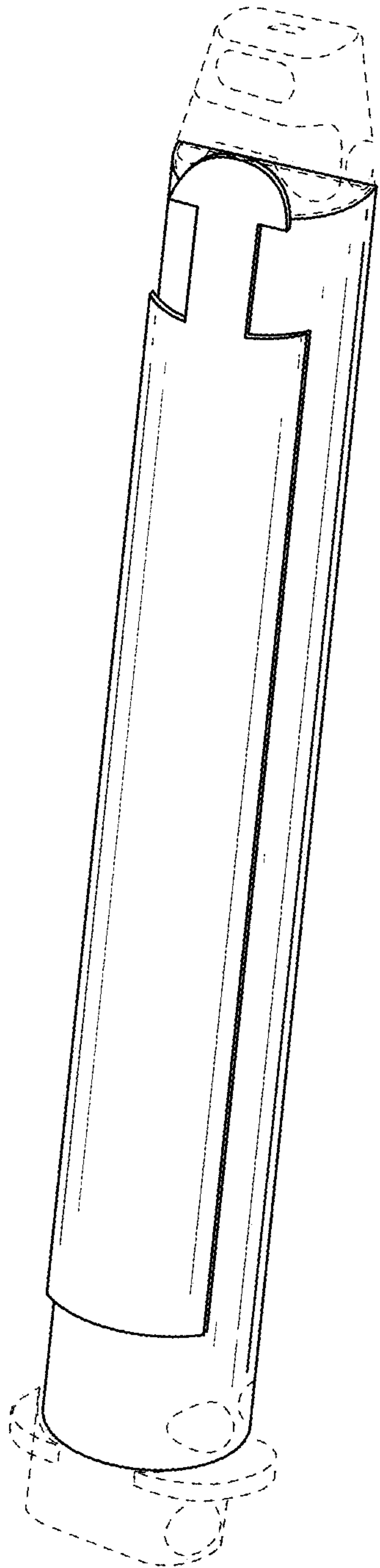


FIG. 33

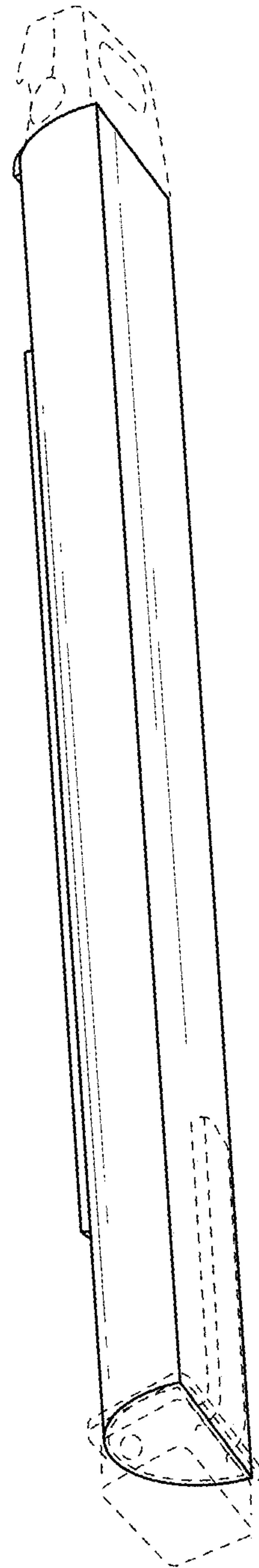


FIG. 34

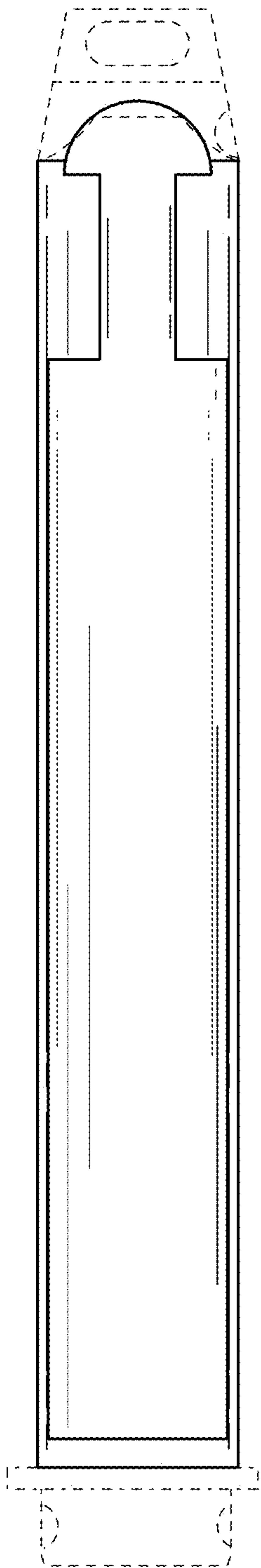


FIG. 35

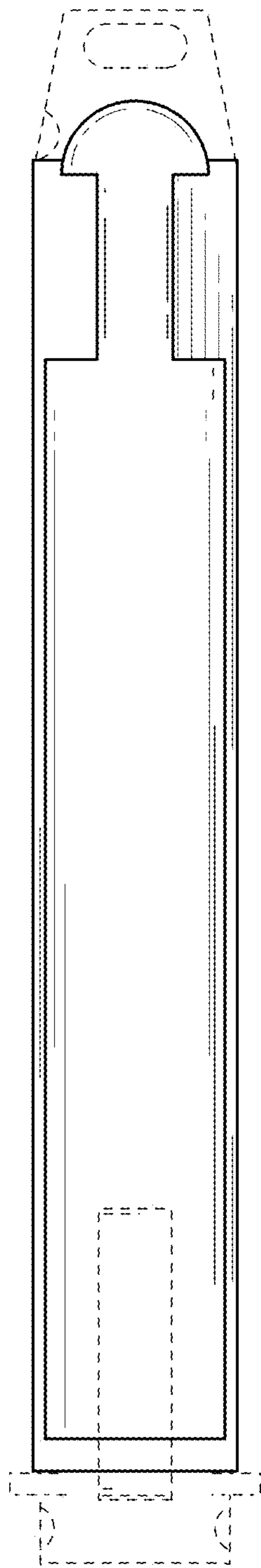


FIG. 36

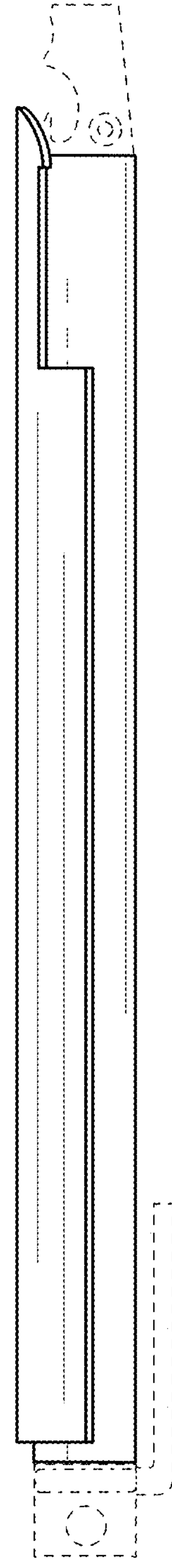


FIG. 37

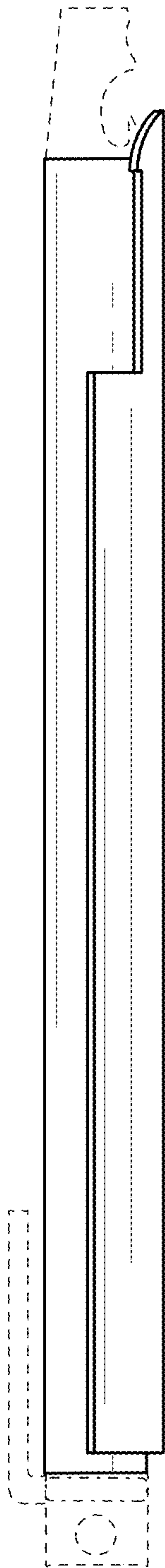


FIG. 38

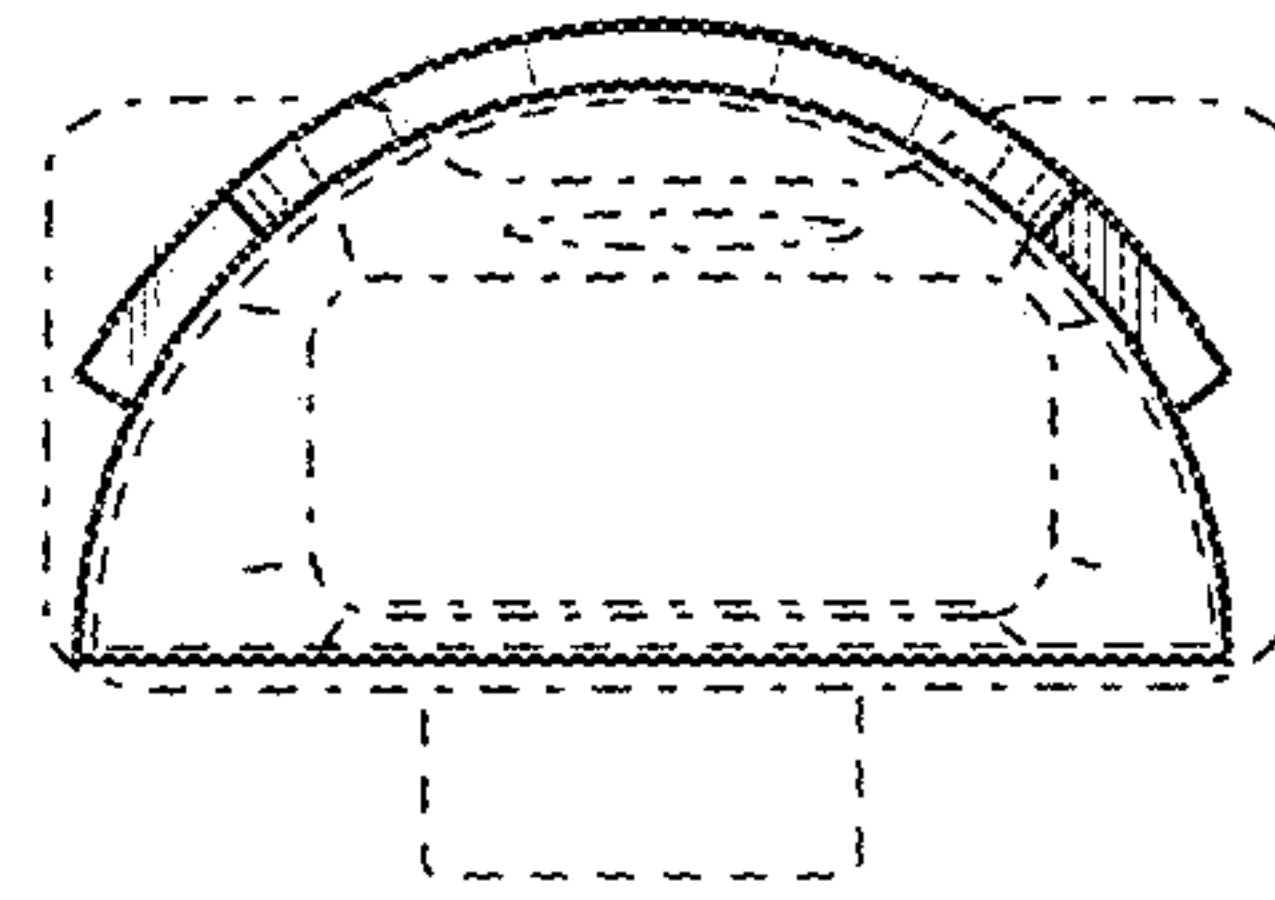


FIG. 39

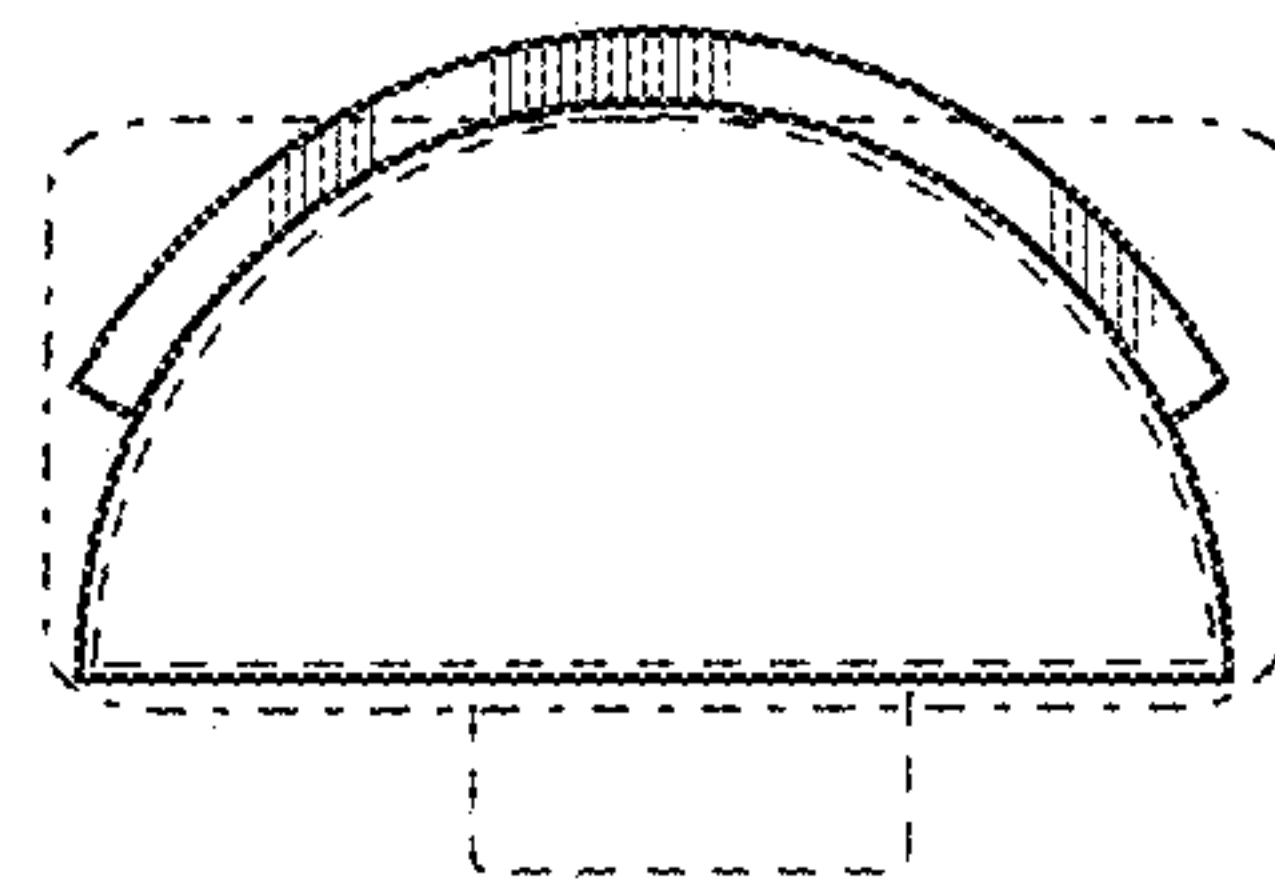


FIG. 40

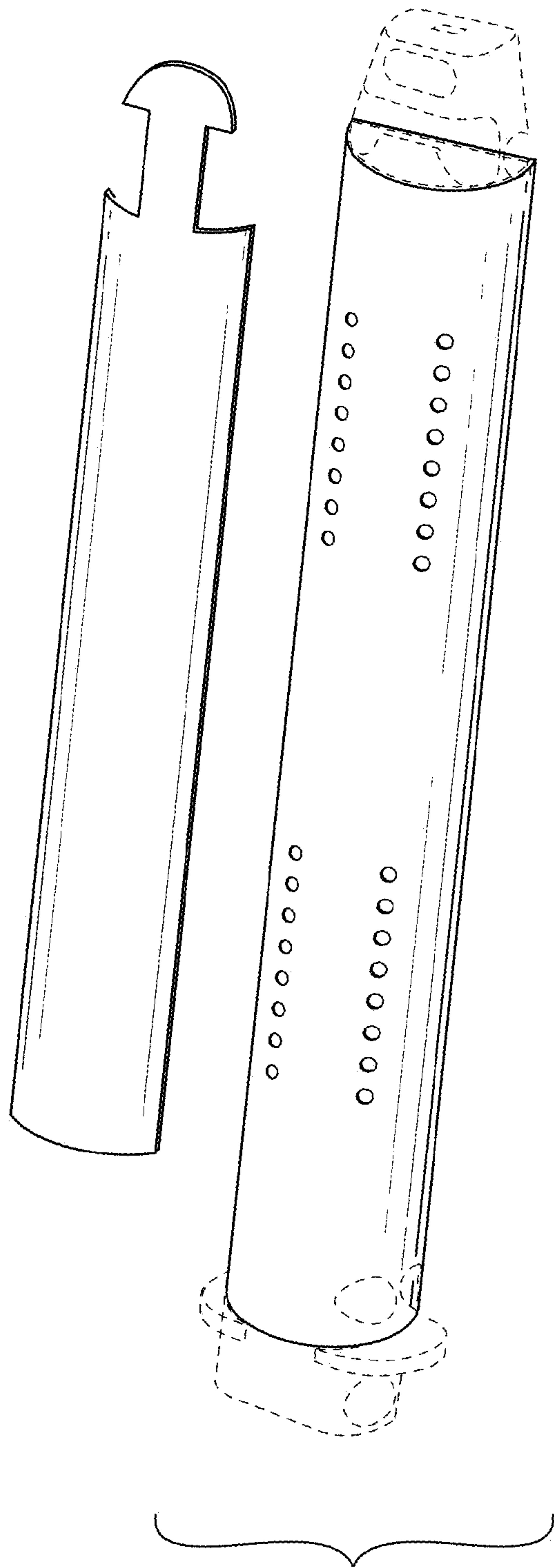


FIG. 41

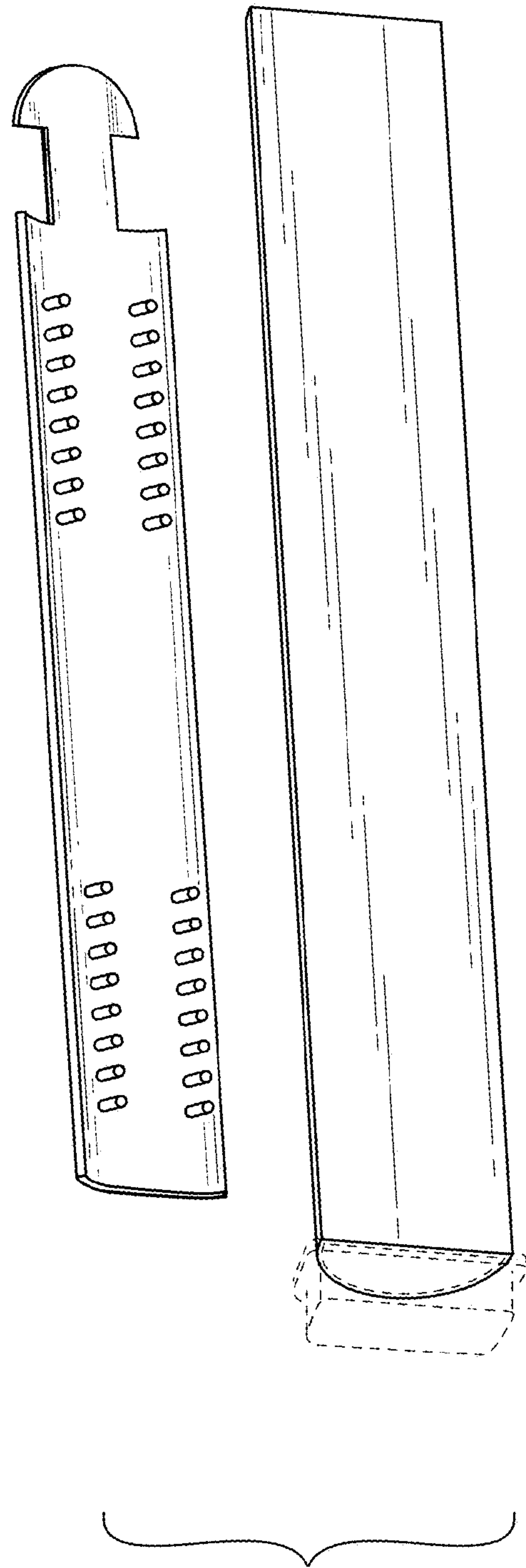


FIG. 42

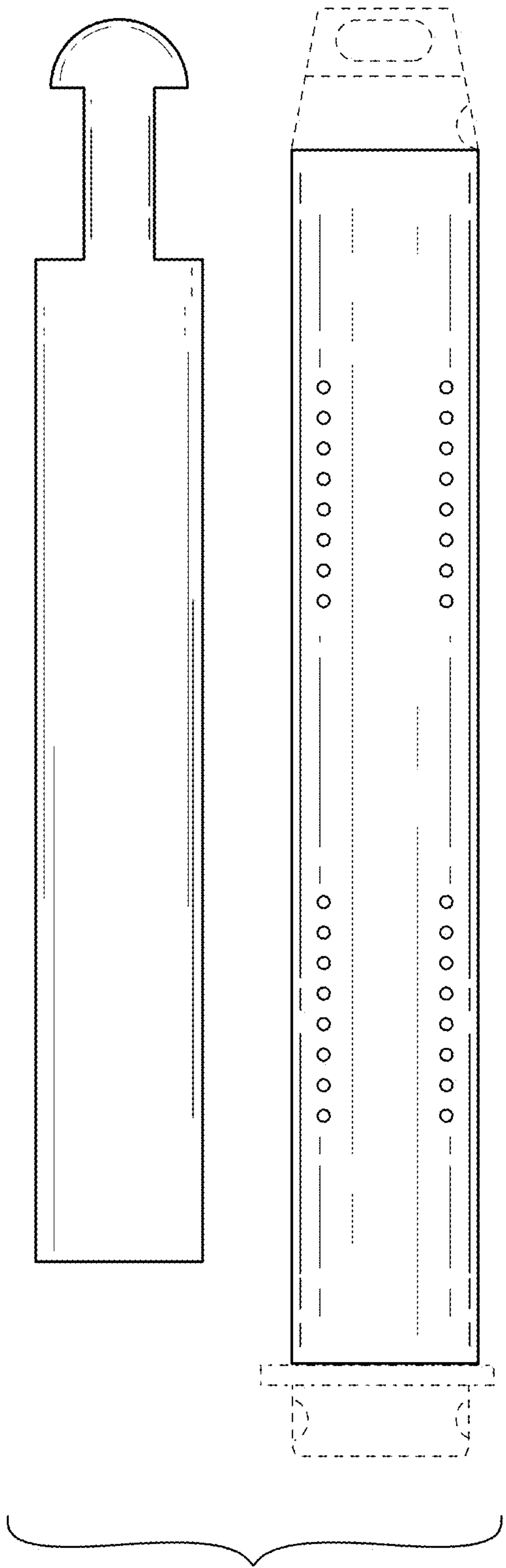


FIG. 43

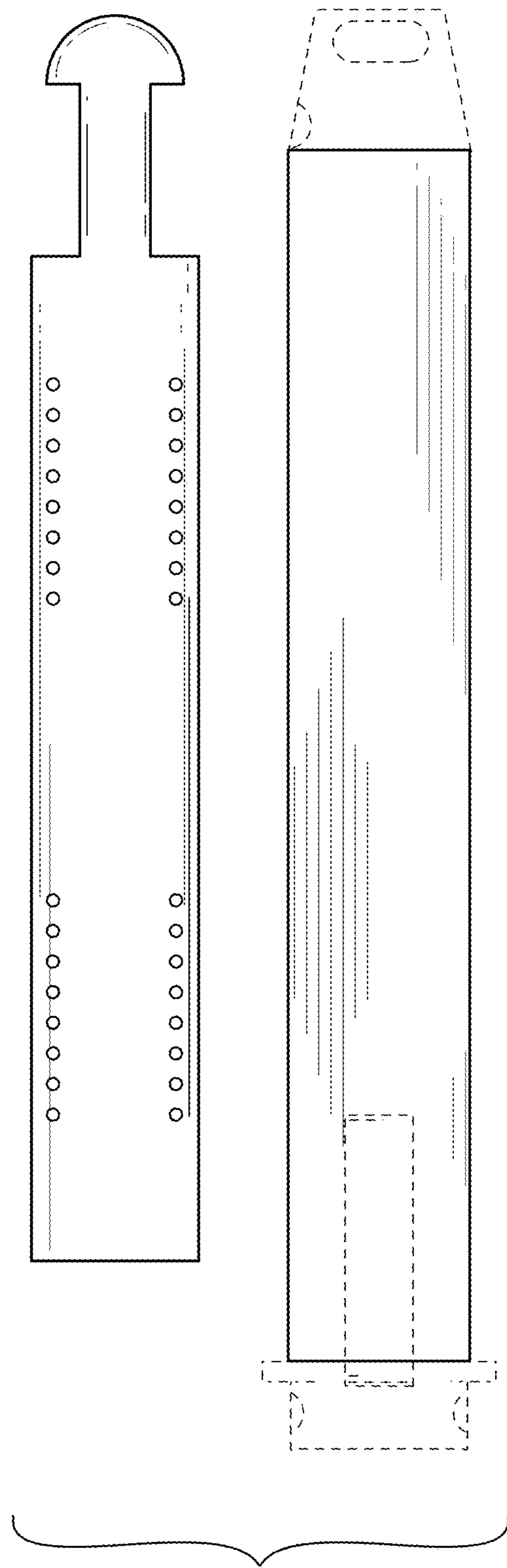


FIG. 44

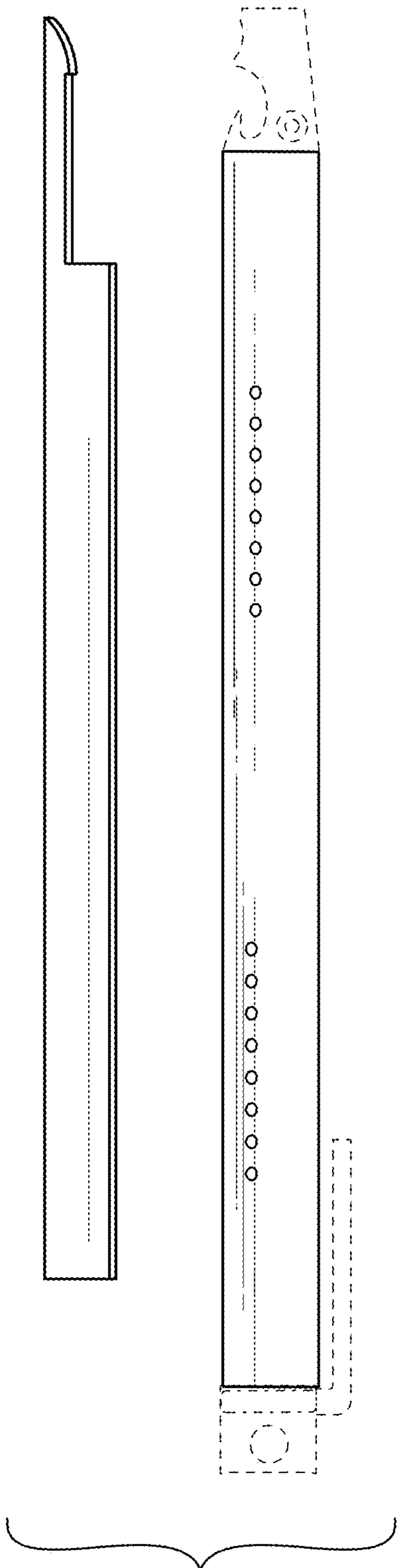


FIG. 45

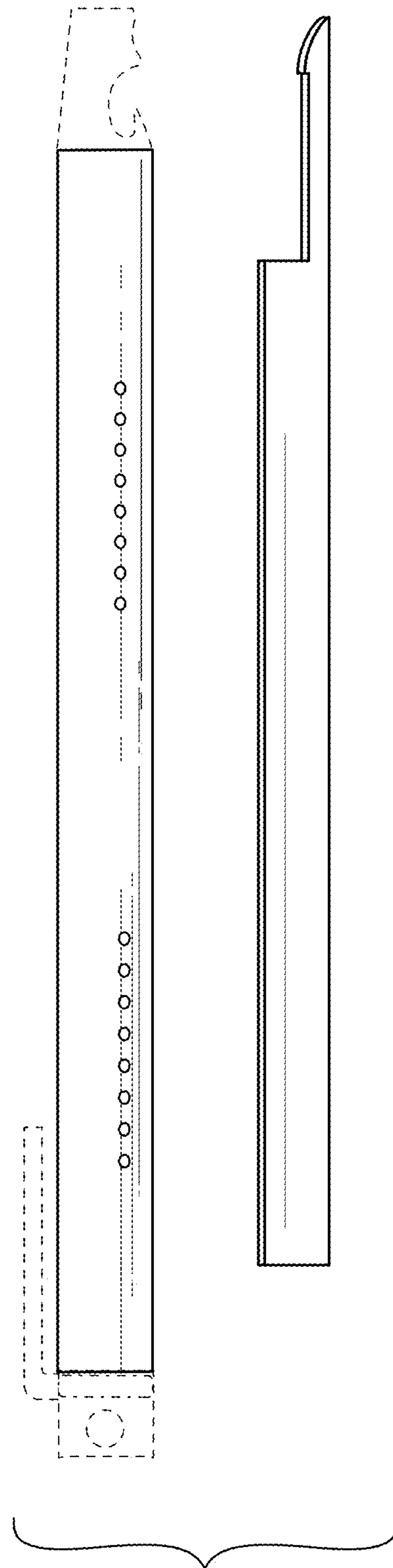
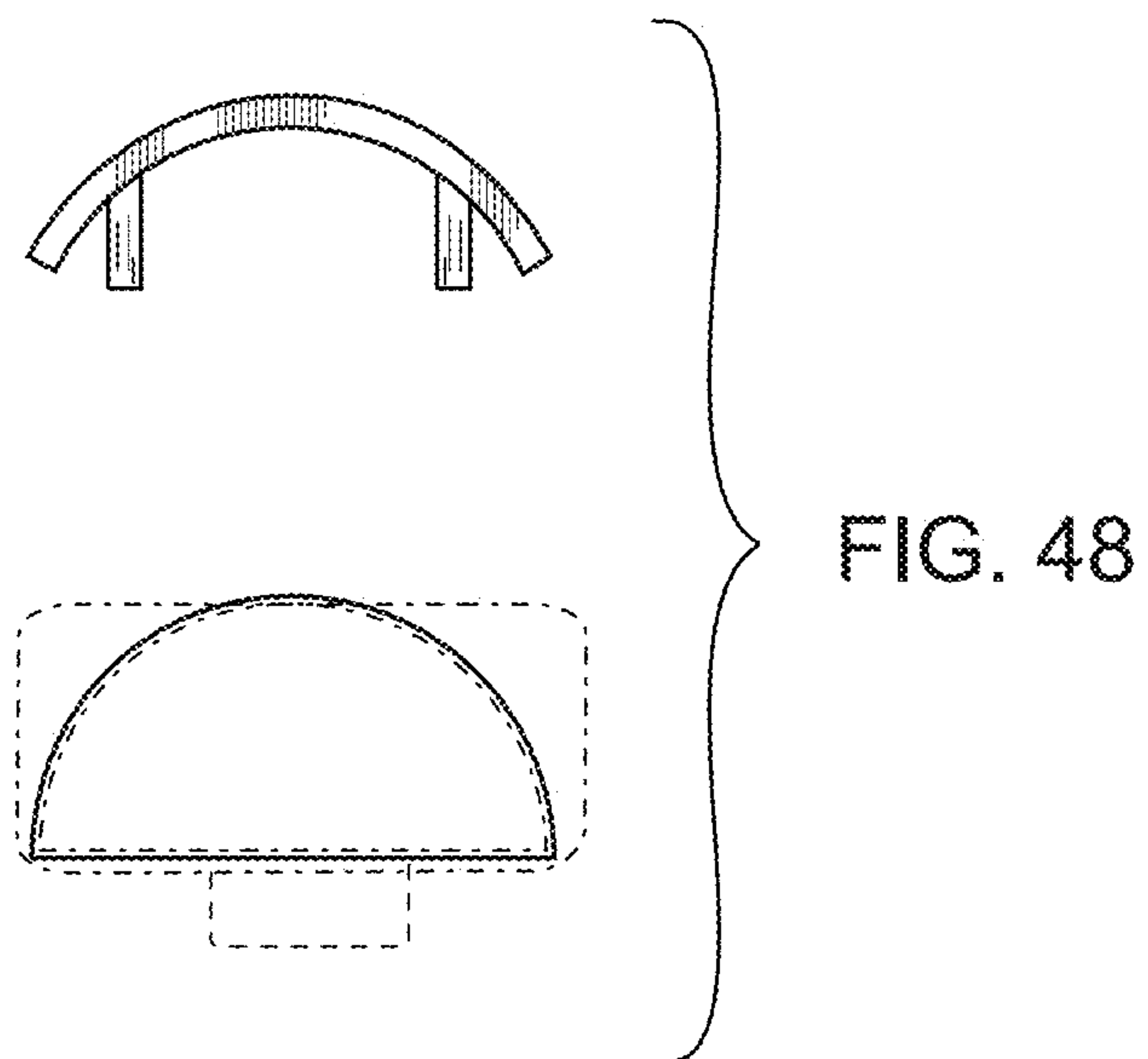
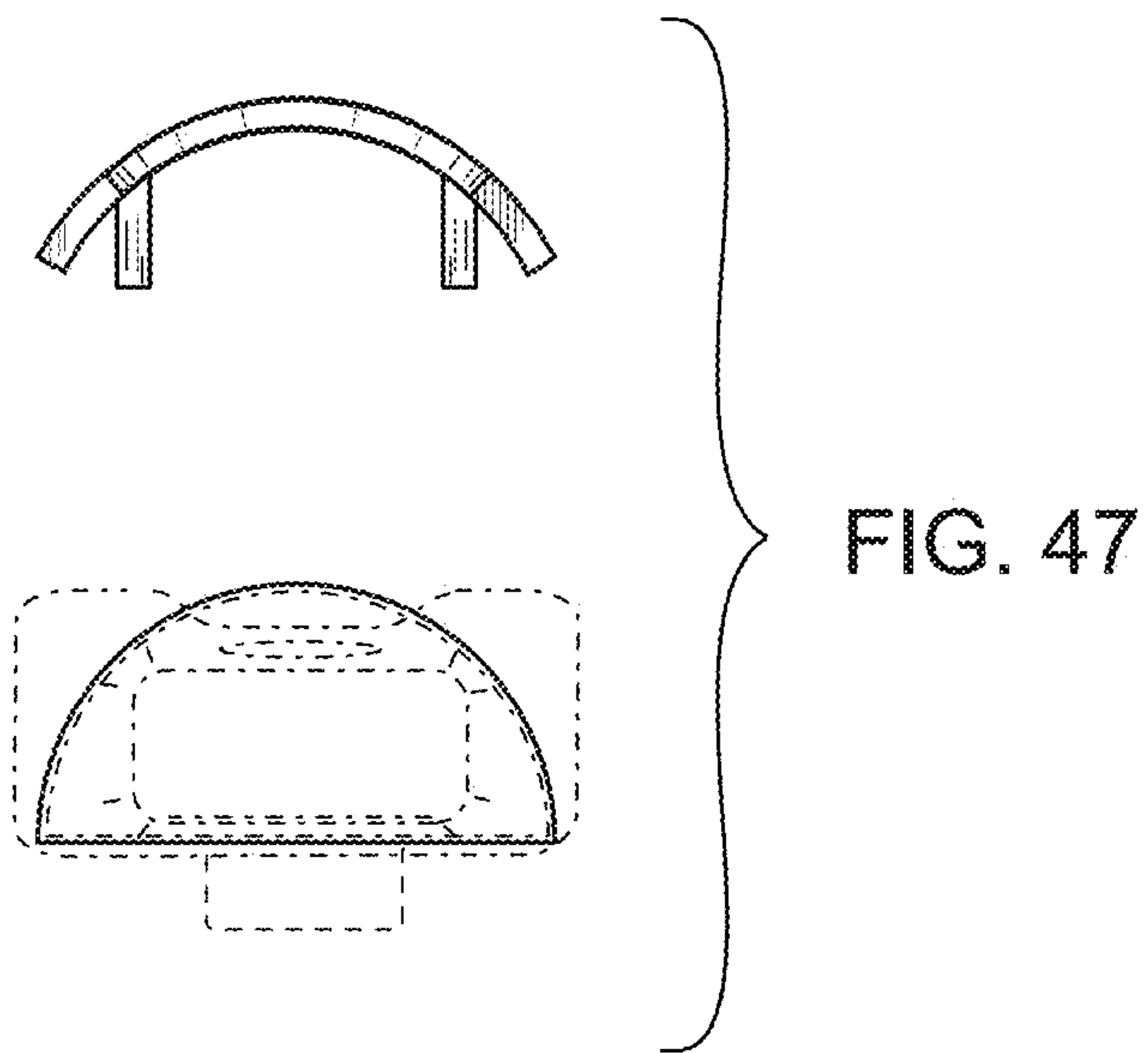


FIG. 46



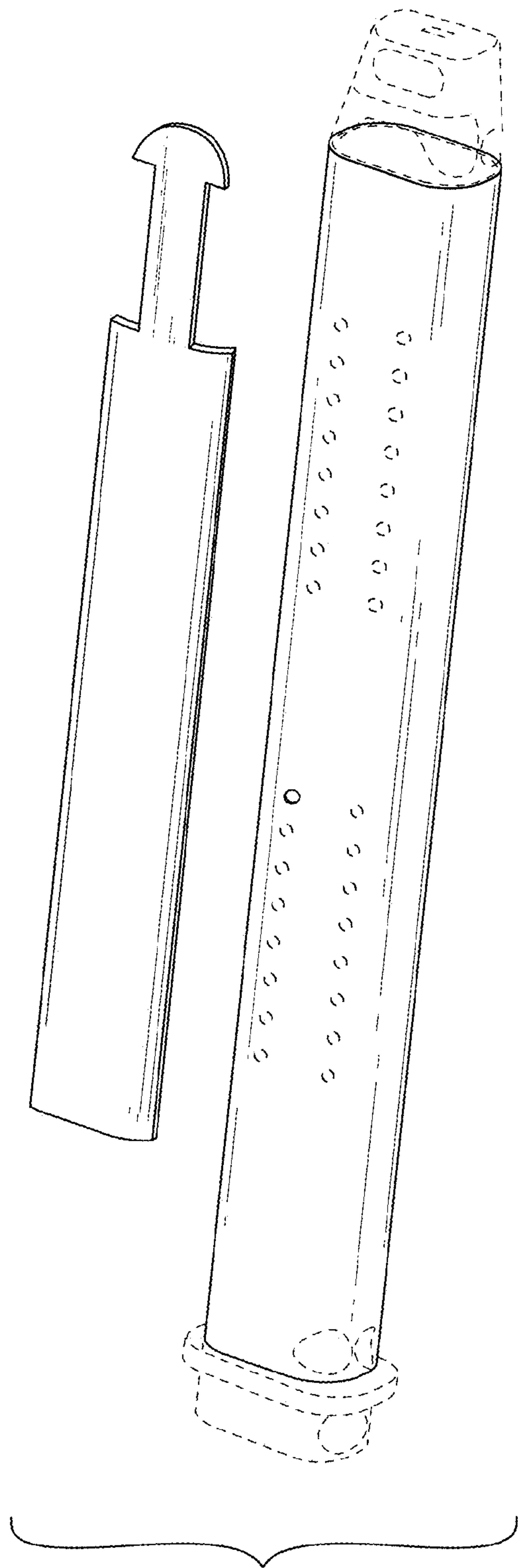


FIG. 49

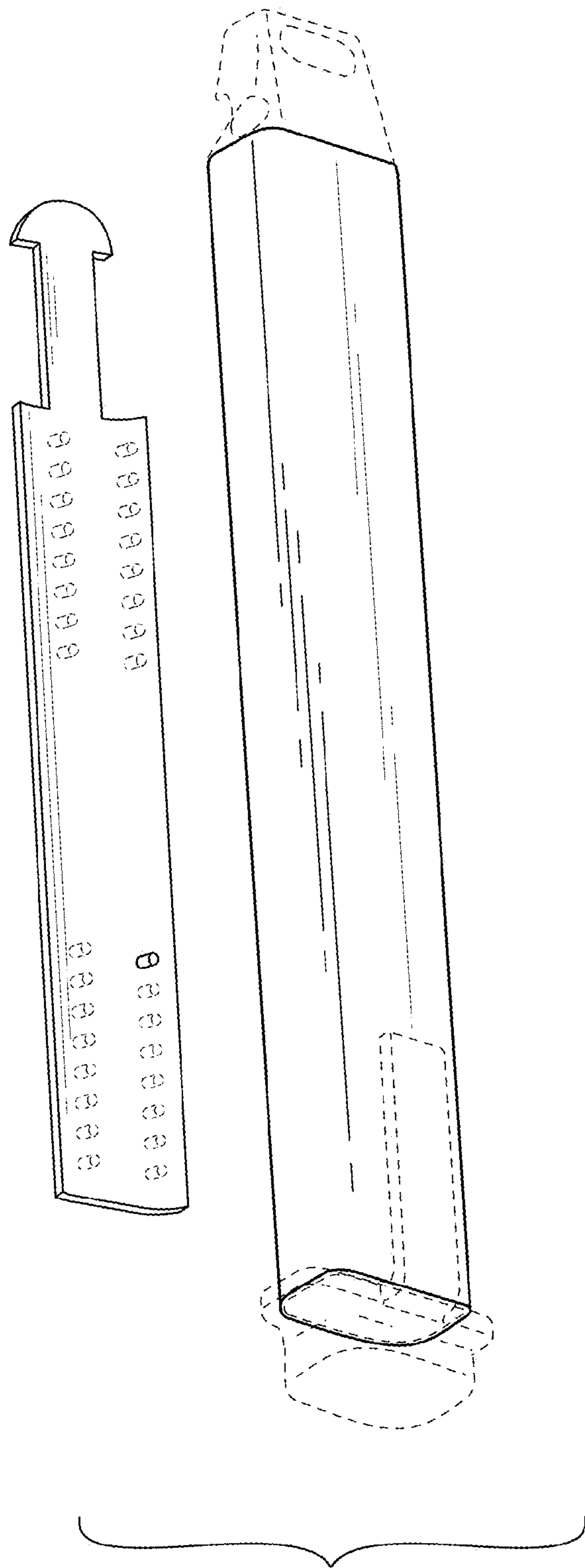


FIG. 50



FIG. 51

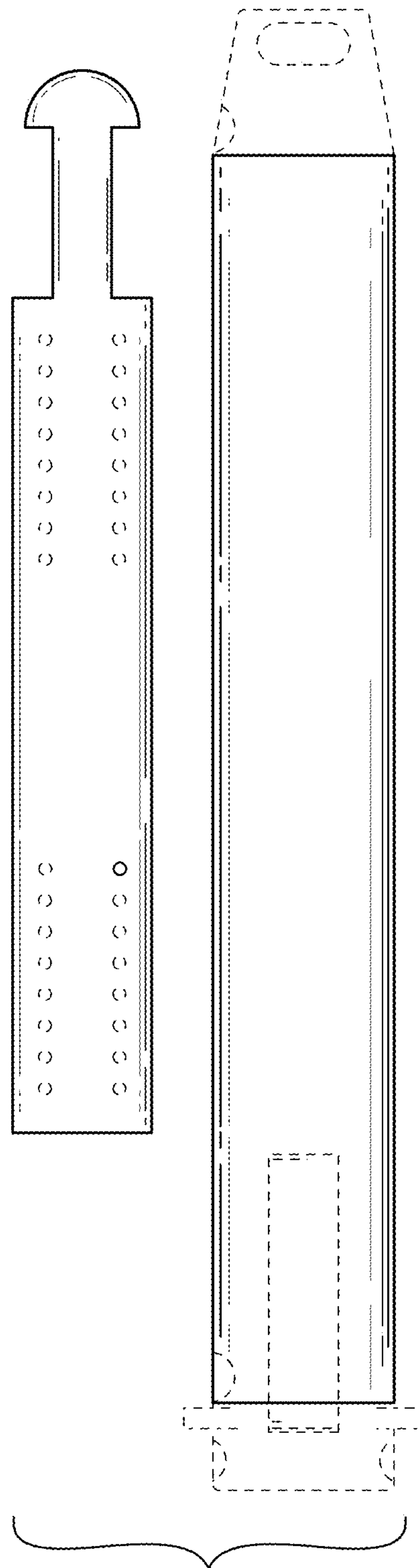


FIG. 52

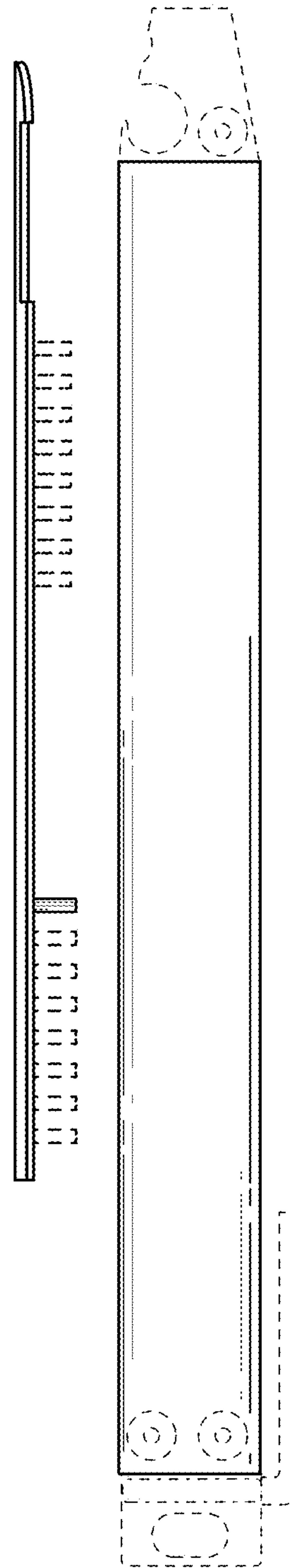
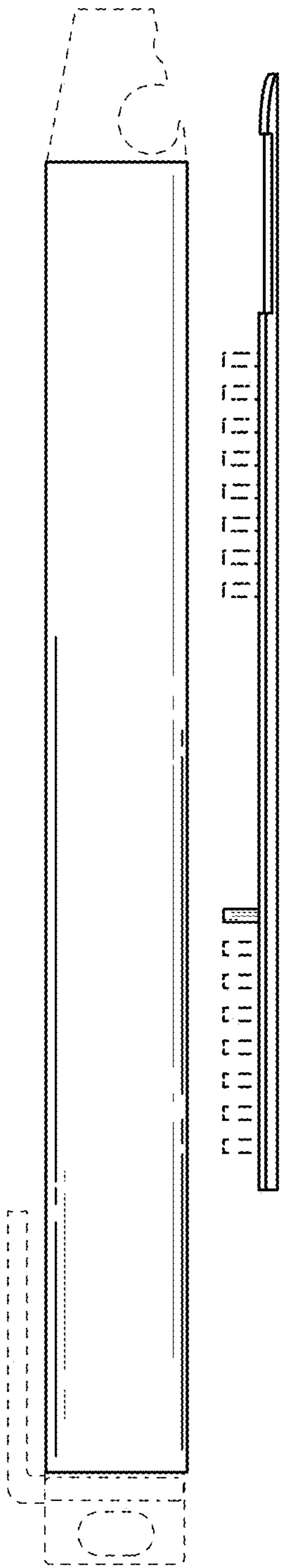
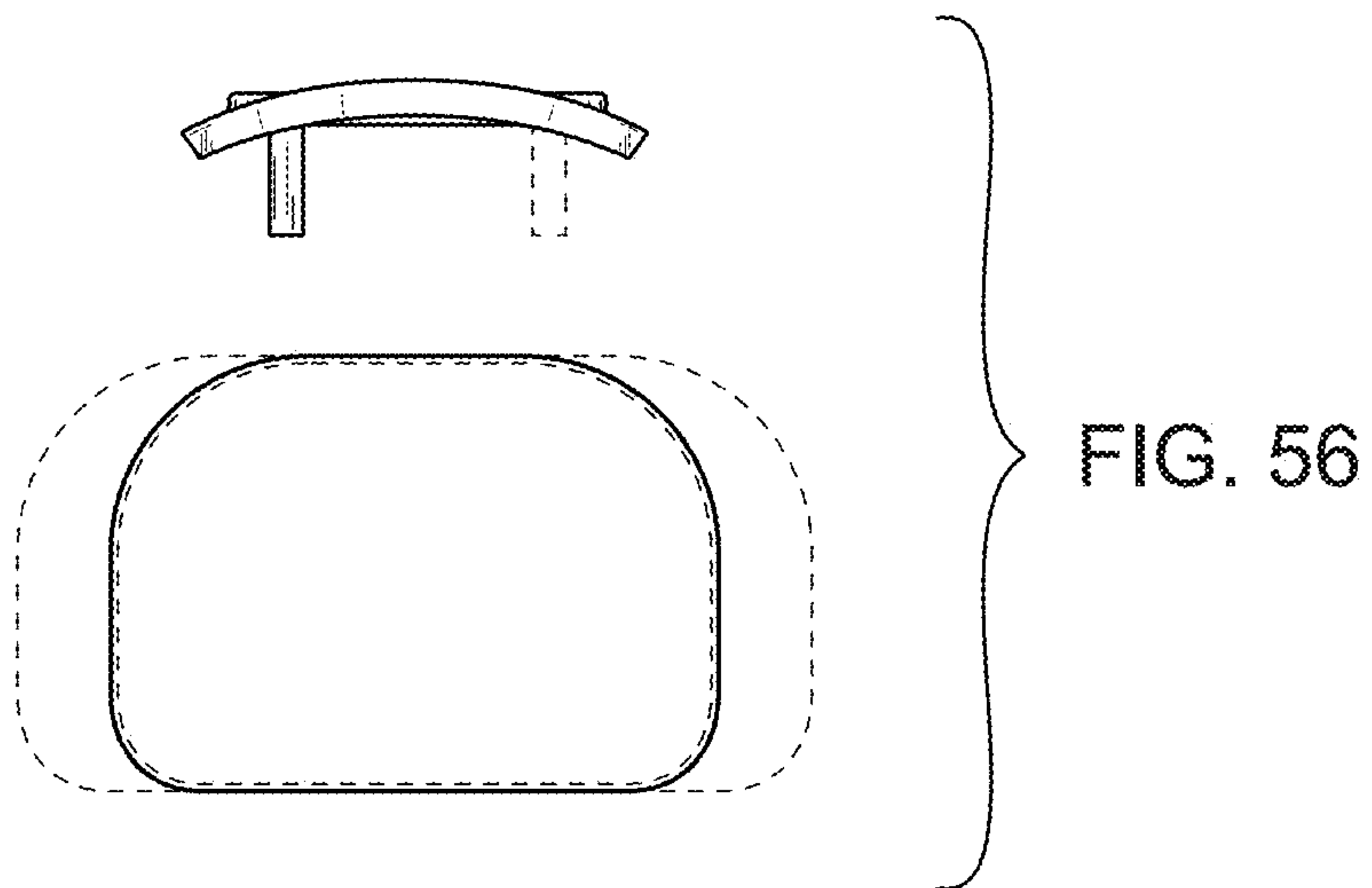
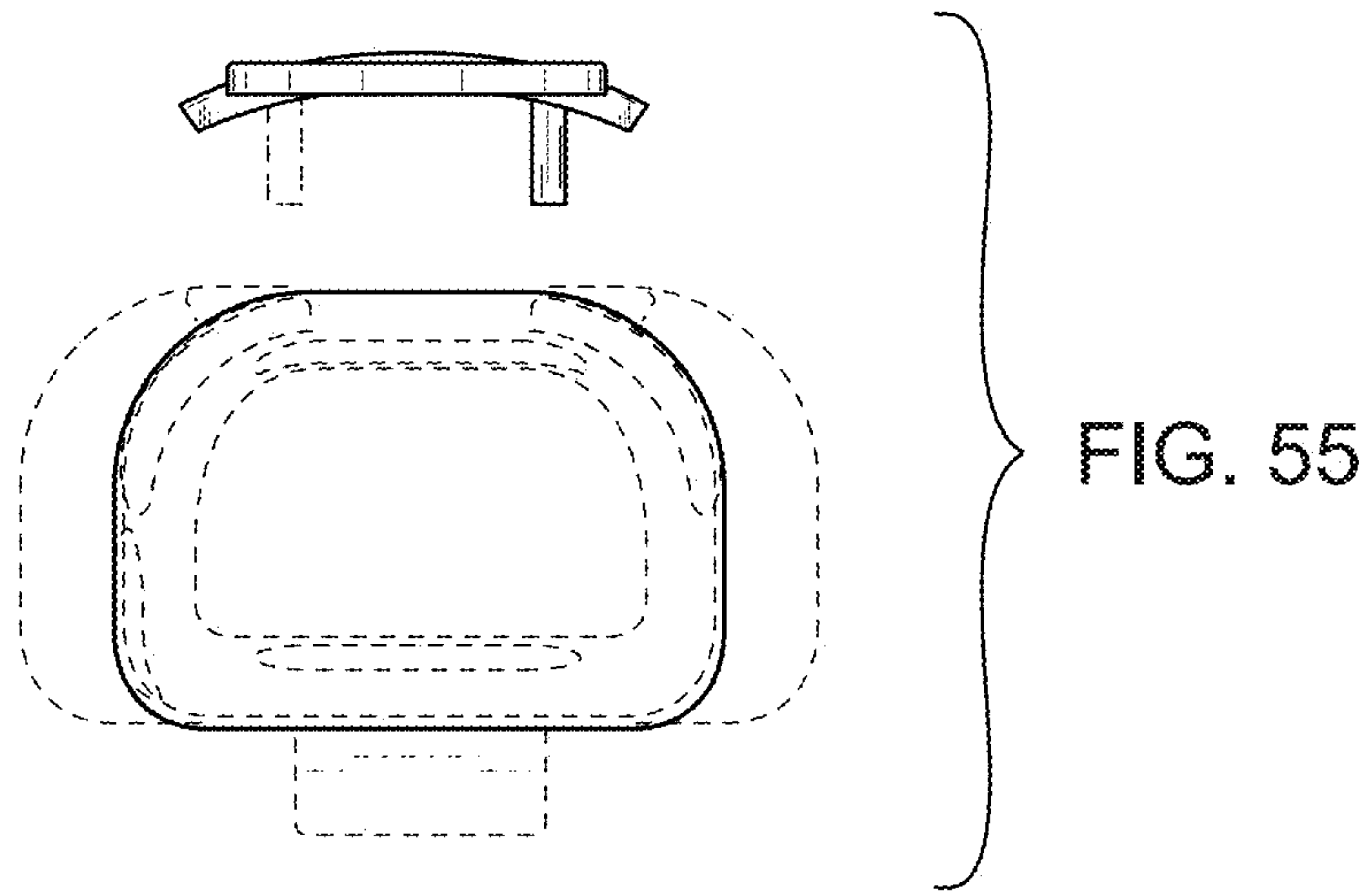


FIG. 53

FIG. 54



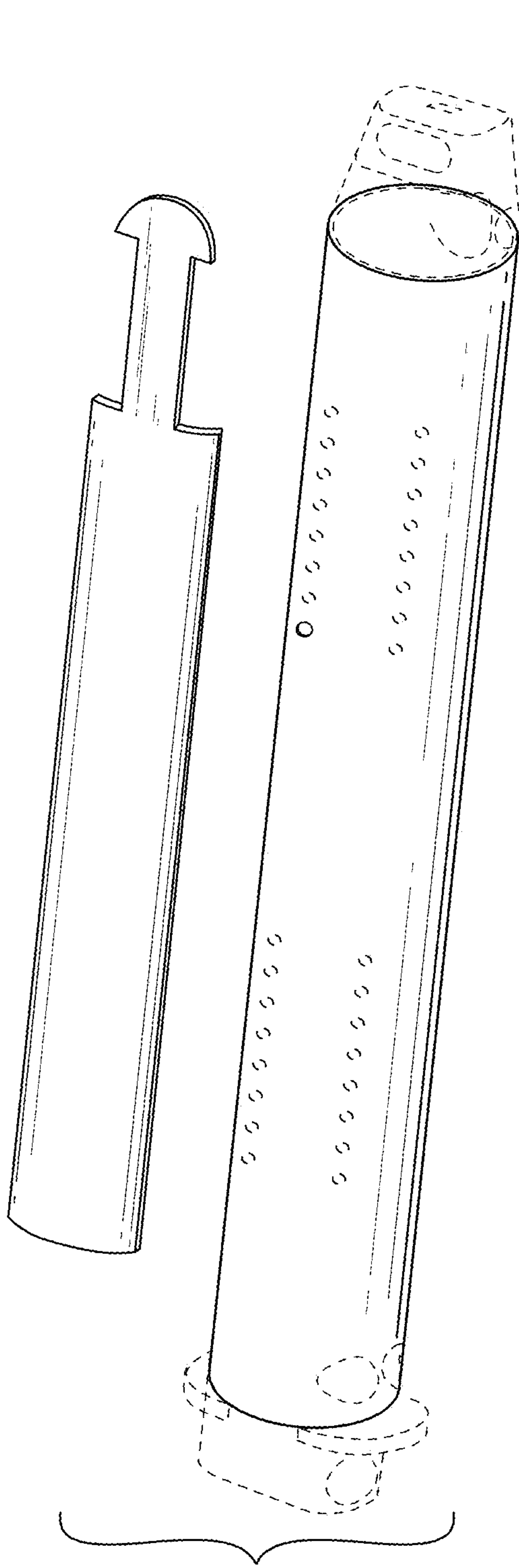


FIG. 57

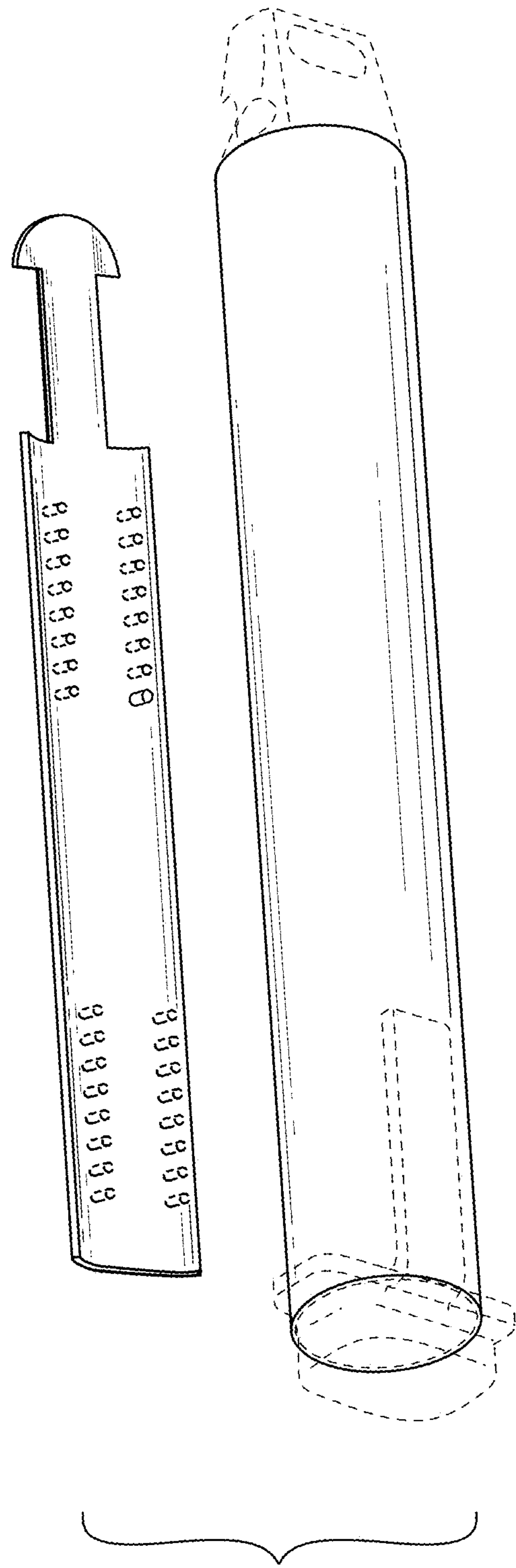


FIG. 58

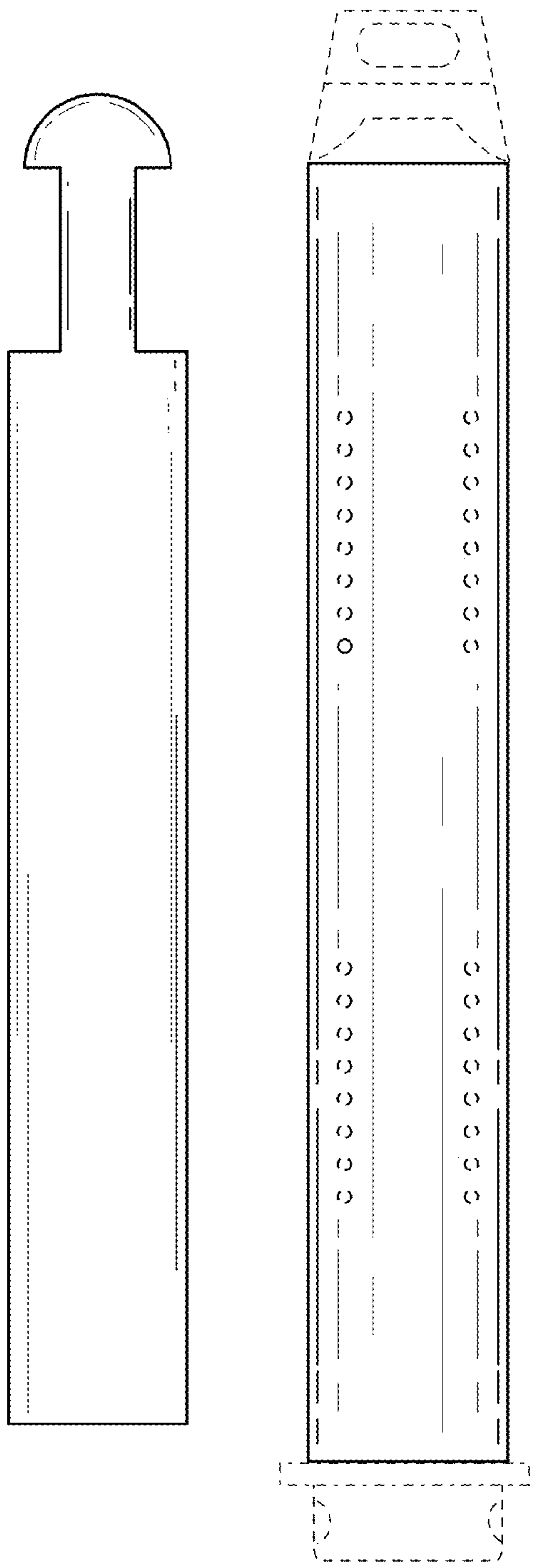


FIG. 59

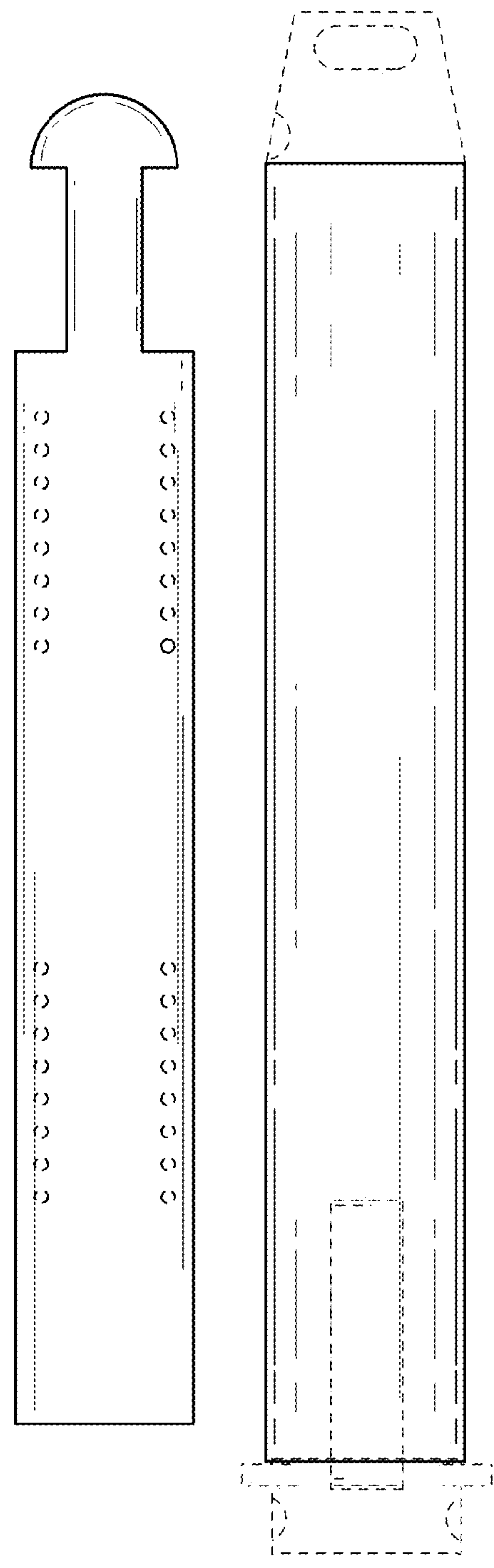
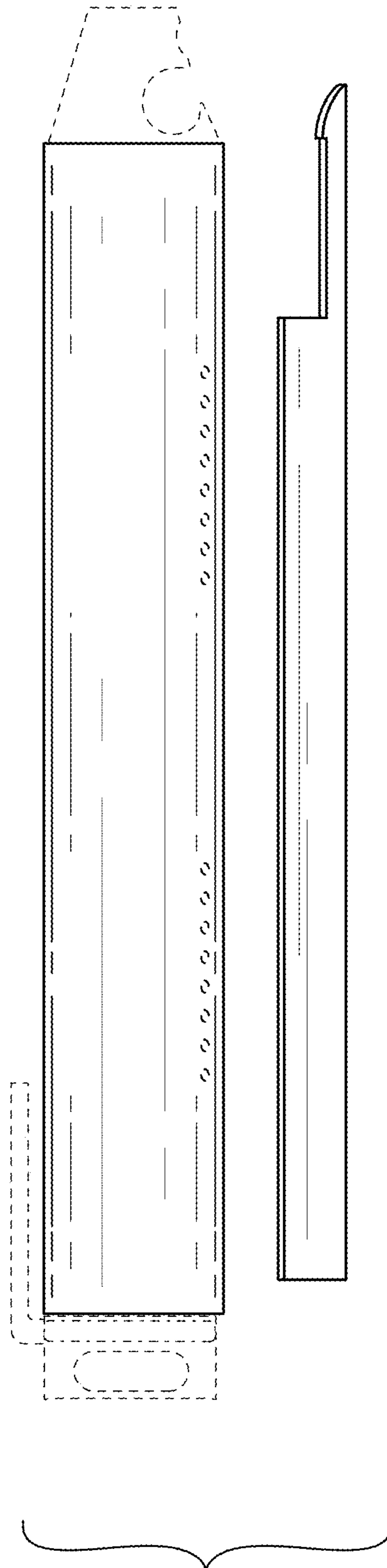
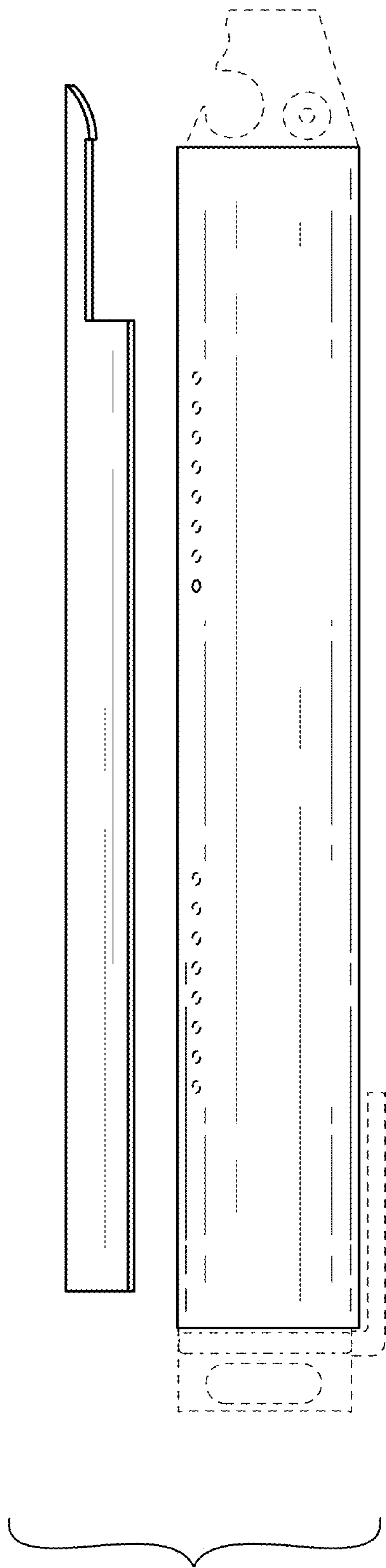
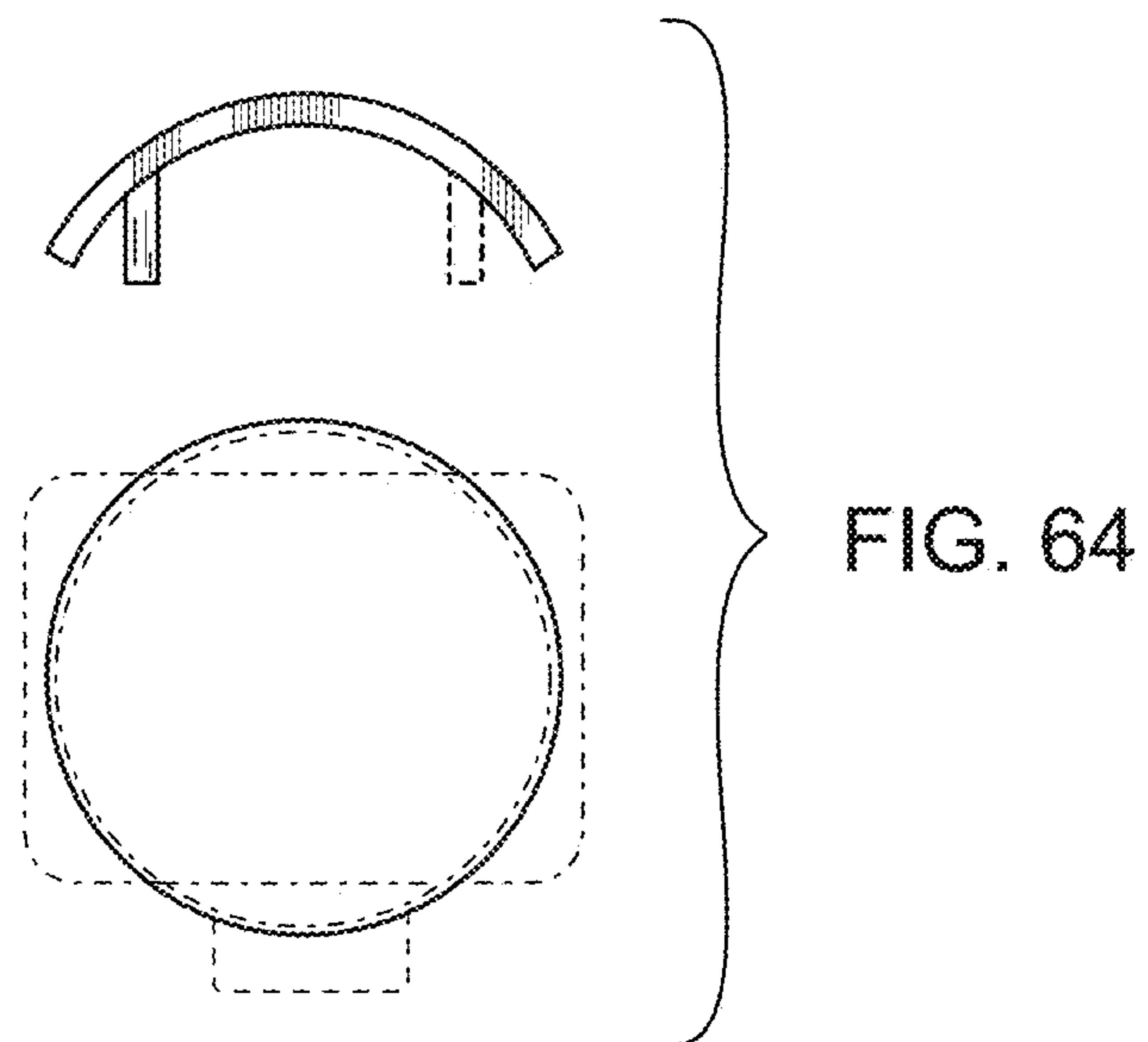
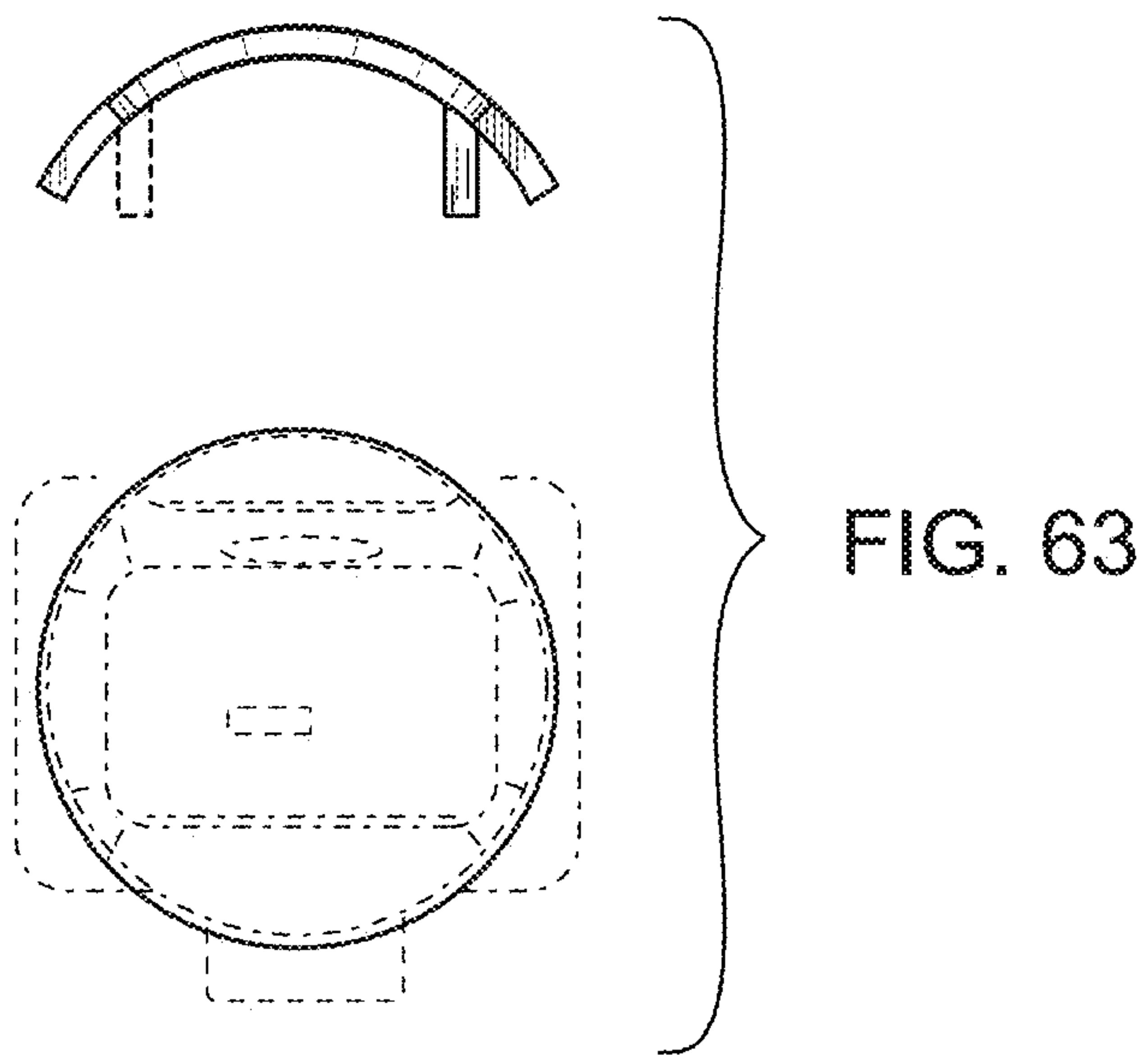


FIG. 60





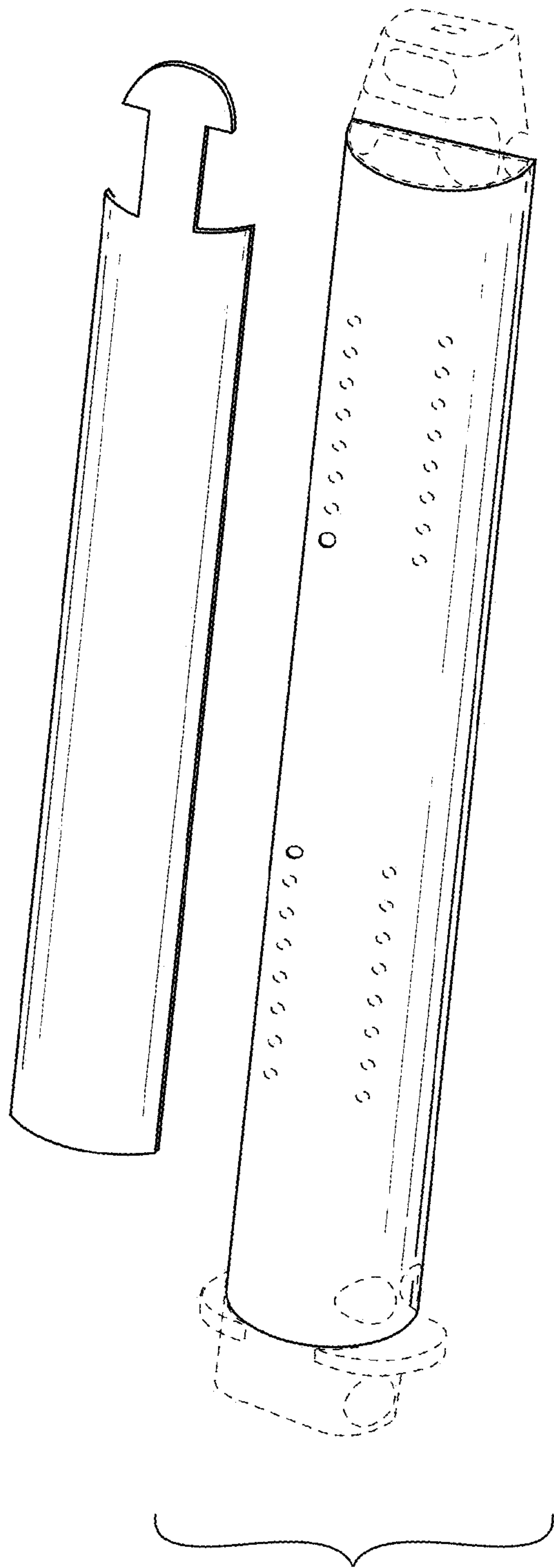


FIG. 65

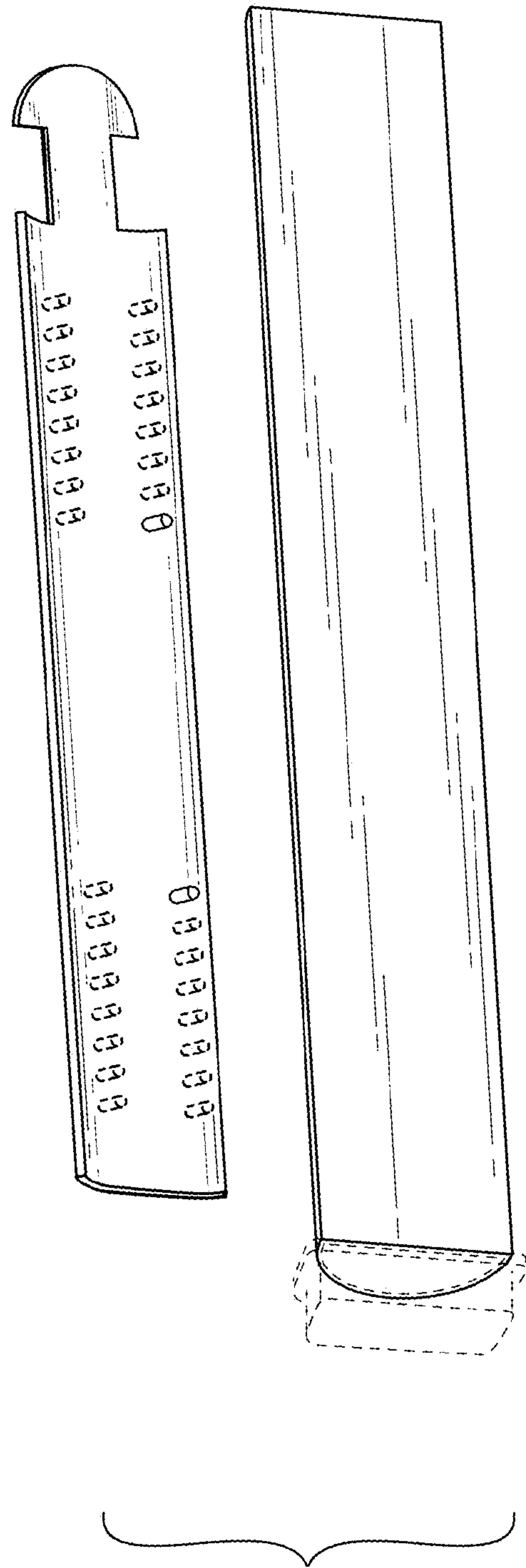


FIG. 66

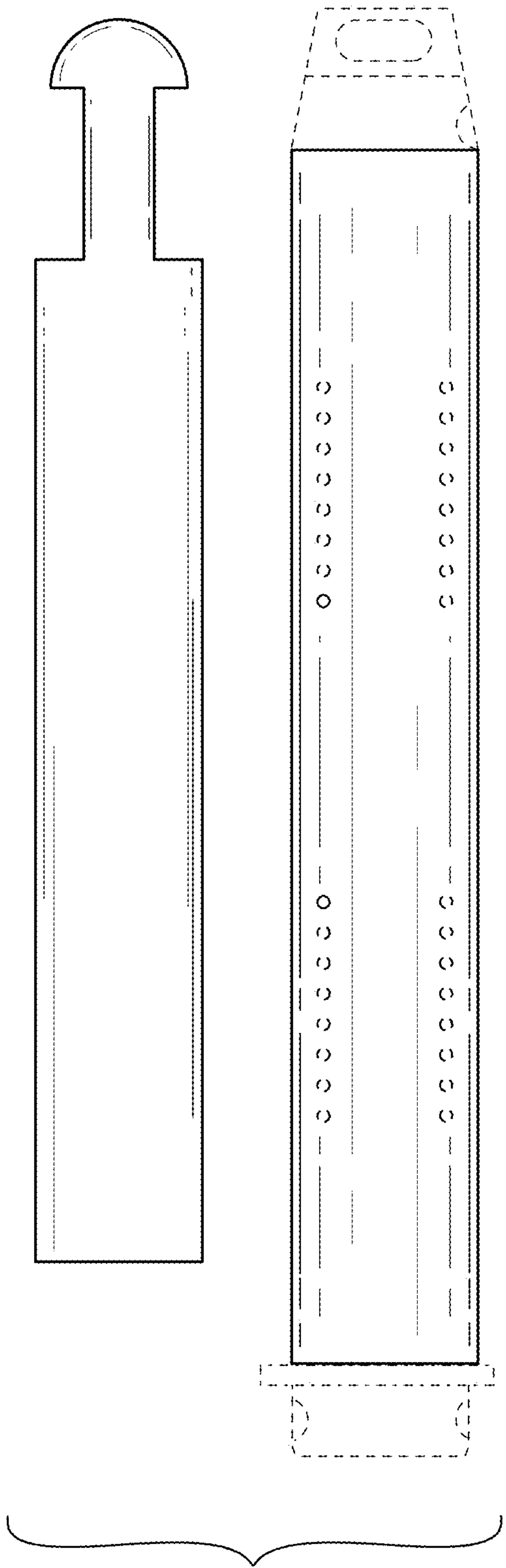


FIG. 67

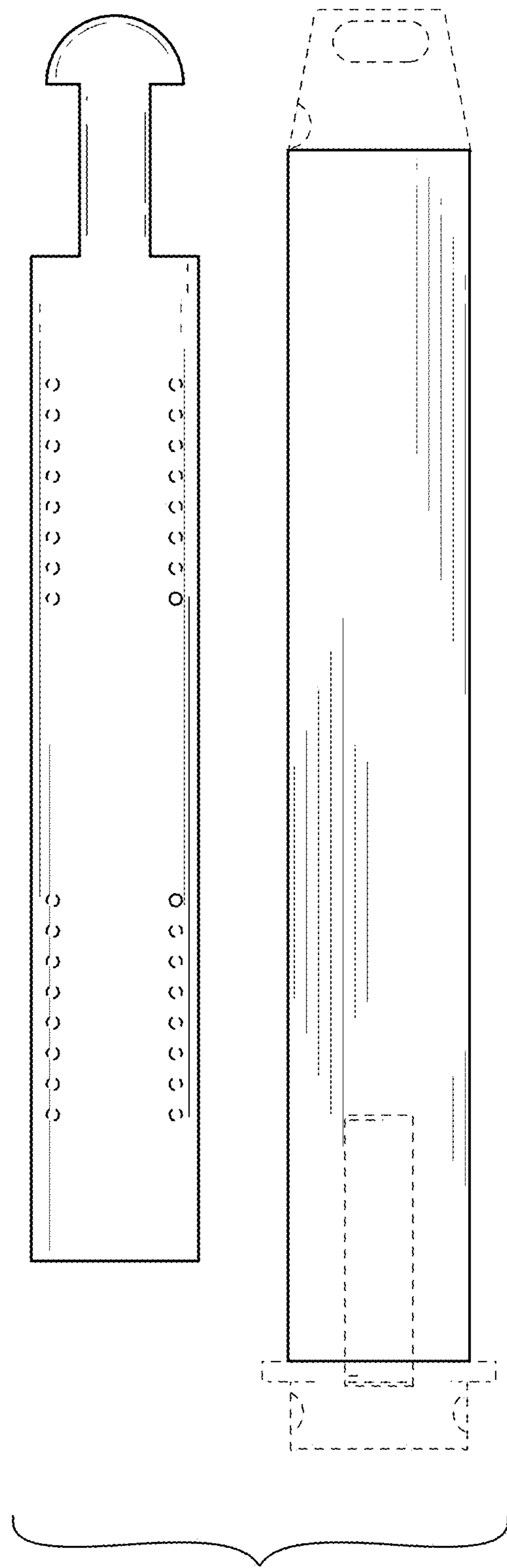
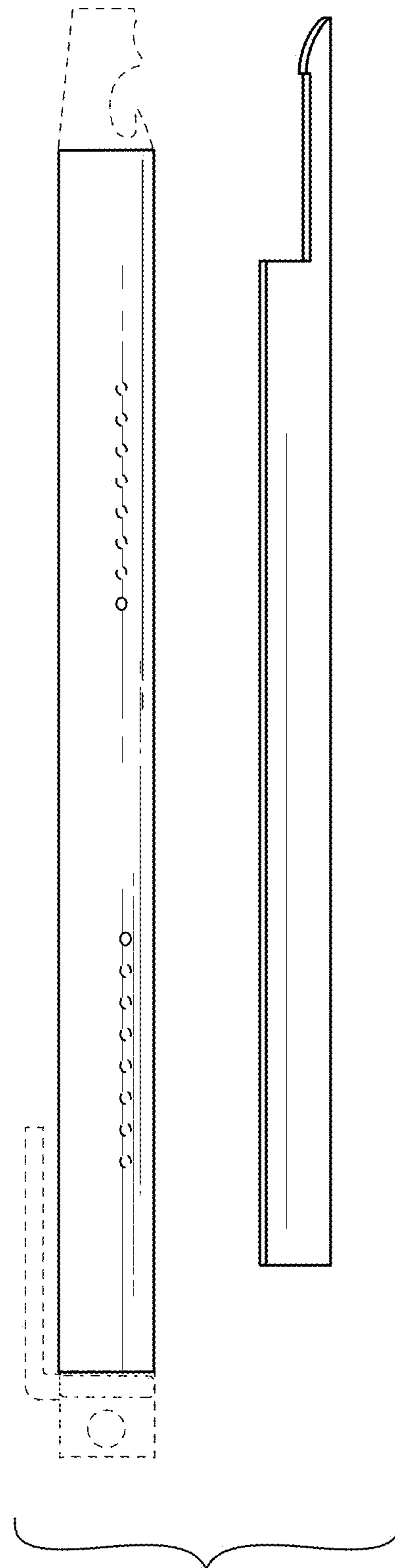
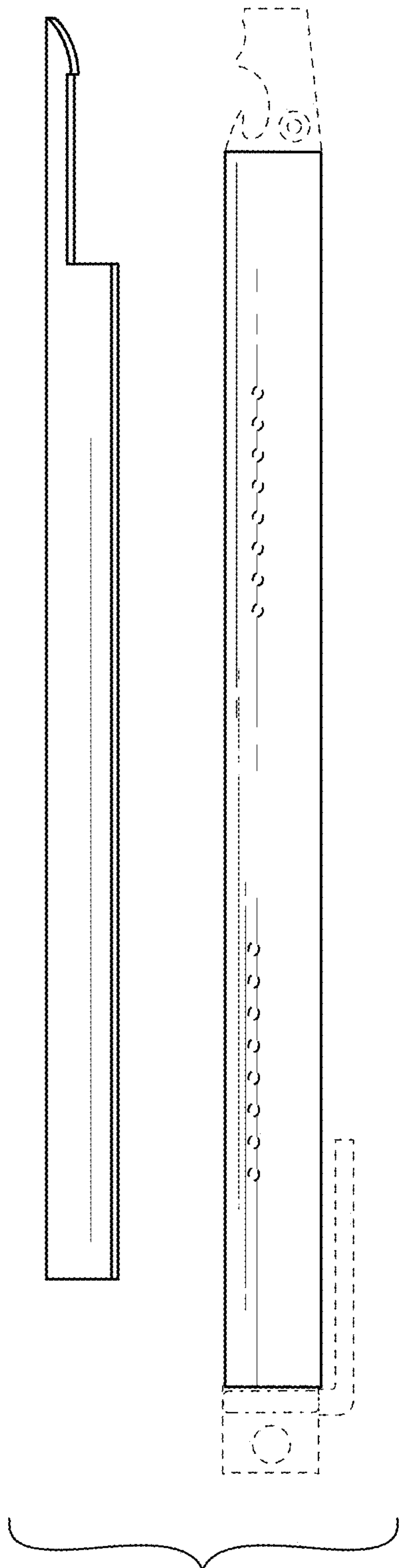
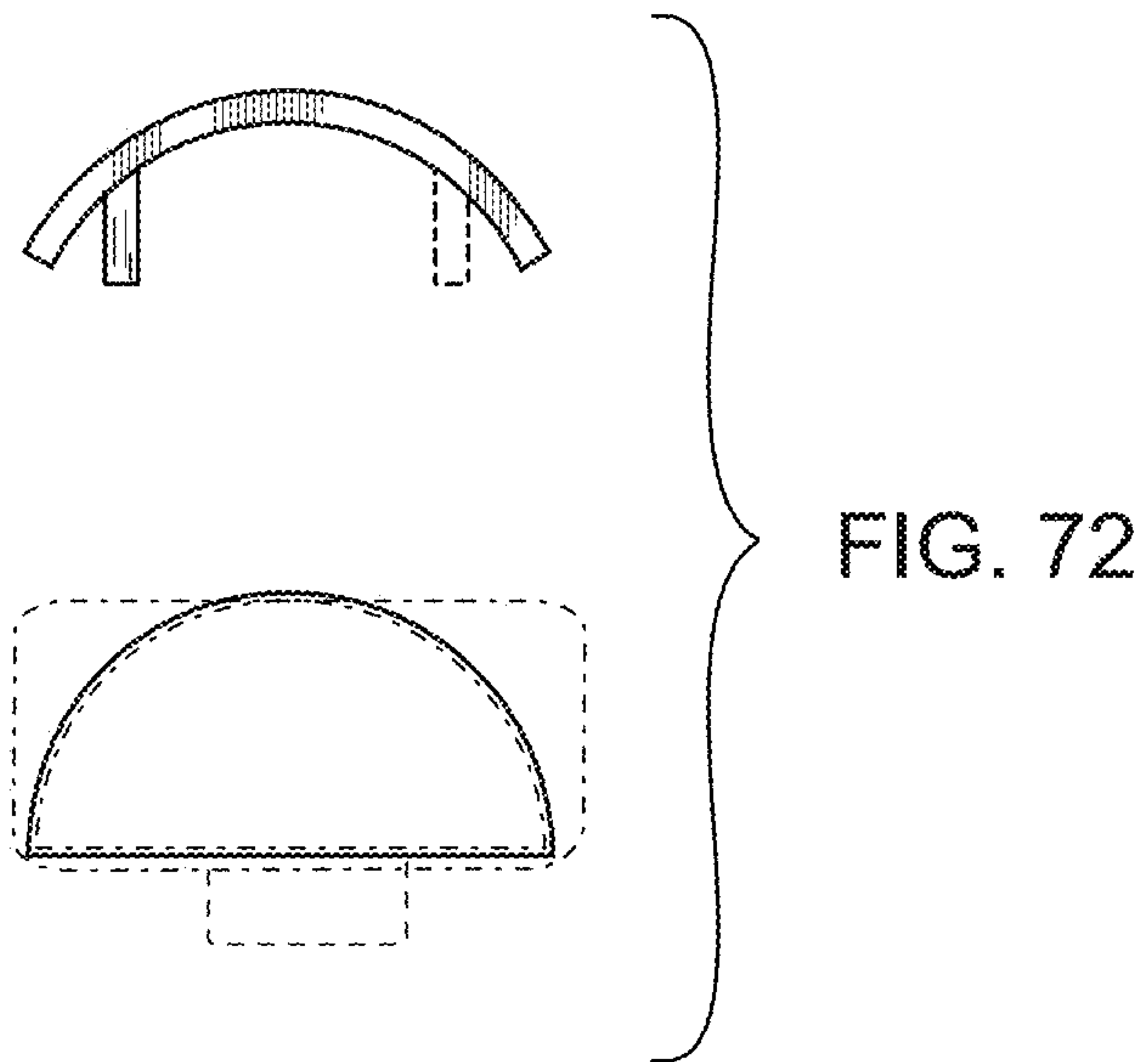
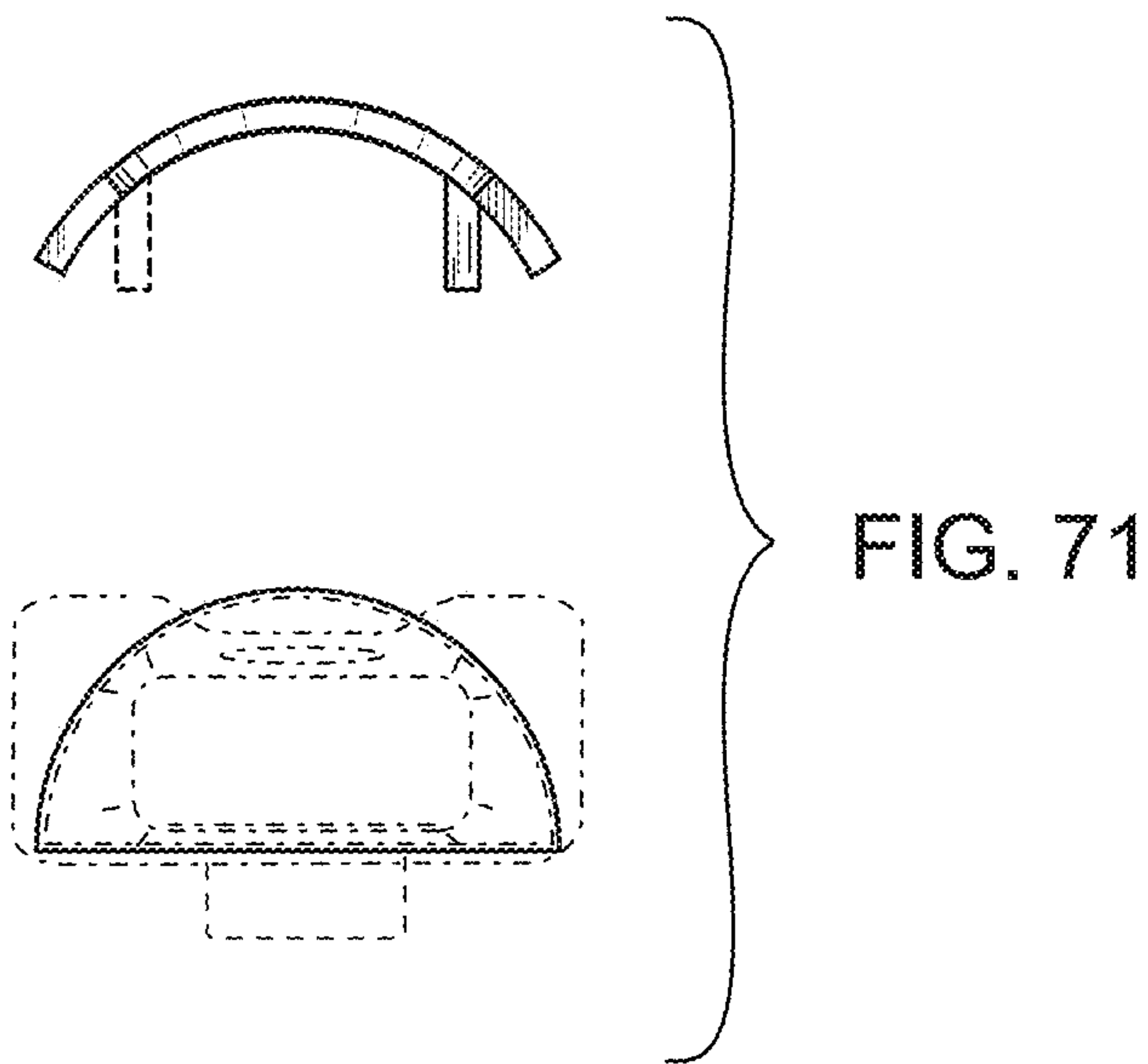


FIG. 68





UNITED STATES PATENT AND TRADEMARK OFFICE
CERTIFICATE OF CORRECTION

PATENT NO. : D899,554 S
APPLICATION NO. : 29/659942
DATED : October 20, 2020
INVENTOR(S) : Noel Elman

Page 1 of 1

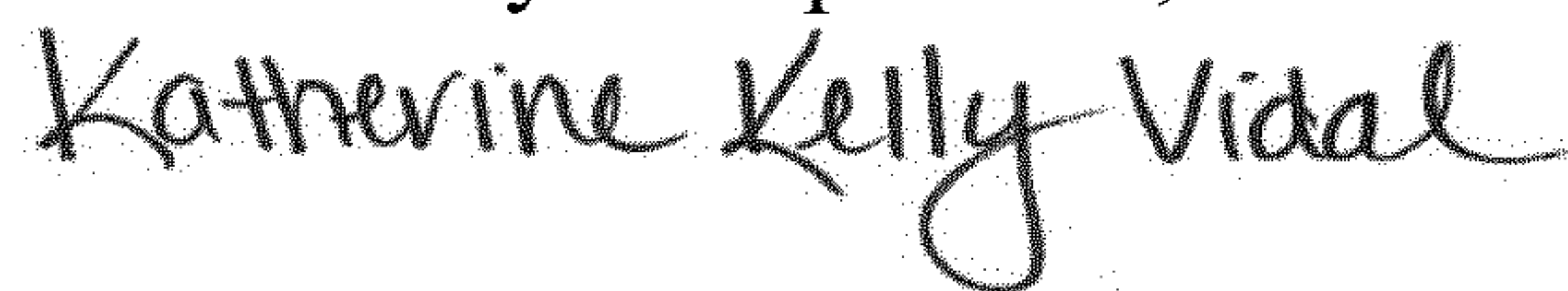
It is certified that error appears in the above-identified patent and that said Letters Patent is hereby corrected as shown below:

On the Title Page

In the description:

1. On Page 2, Column 1, Line 4, delete "FIG," and insert -- FIG. --, therefor.
2. On Page 2, Column 1, Line 31, delete "57." and insert -- 57; --, therefor.
3. On Page 2, Column 1, Line 34, after 'perspective' insert -- view --.
4. On Page 2, Column 1, Line 43, delete "disperson" and insert -- dispersion --, therefor.

Signed and Sealed this
Tenth Day of September, 2024



Katherine Kelly Vidal
Director of the United States Patent and Trademark Office