



US00D899553S

(12) **United States Design Patent**  
**Yang**

(10) **Patent No.:** **US D899,553 S**

(45) **Date of Patent:** **\*\* Oct. 20, 2020**

(54) **MOUSETRAP**

(71) Applicant: **Lie Yang**, Dongguan (CN)

(72) Inventor: **Lie Yang**, Dongguan (CN)

(\*\*) Term: **15 Years**

(21) Appl. No.: **29/703,661**

(22) Filed: **Aug. 29, 2019**

(51) **LOC (12) Cl.** ..... **22-06**

(52) **U.S. Cl.**  
USPC ..... **D22/119**

(58) **Field of Classification Search**

USPC ..... D22/119; 43/58, 60–61, 65, 67, 69, 77

CPC .... A01M 23/00; A01M 23/04; A01M 23/005;

A01M 23/08; A01M 23/16; A01M 23/18

See application file for complete search history.

(56) **References Cited**

**U.S. PATENT DOCUMENTS**

2,225,251	A *	12/1940	Andrick	.....	A01M 23/18
					43/61
D854,115	S *	7/2019	Yang	.....	D22/119
D857,834	S *	8/2019	Tian	.....	D22/119
D861,824	S *	10/2019	Yang	.....	D22/119
D865,903	S *	11/2019	Yang	.....	D22/119
2008/0216386	A1 *	9/2008	Le Laidier	.....	A01M 23/22
					43/67
2012/0174469	A1 *	7/2012	Gardner	.....	A01M 23/00
					43/60

**OTHER PUBLICATIONS**

Kat Sense Humane Smart Traps, Pack of 4, Cruelty Free Live Trap, Catch and Release Mice, Chipmunks into The Wild, Ideal No Kill Smart Trapper House Cage for Pest Control Solutions, Amazon.com (Year: 2016).\*

\* cited by examiner

*Primary Examiner* — Catherine R Oliver-Garcia

(57) **CLAIM**

The ornamental design for a mousetrap, as shown and described.

**DESCRIPTION**

FIG. 1 is a perspective view of a mousetrap showing my new design;

FIG. 2 is another perspective view thereof;

FIG. 3 is a front elevational view thereof;

FIG. 4 is a rear elevational view thereof;

FIG. 5 is a left side elevational view thereof;

FIG. 6 is a right side elevational view thereof;

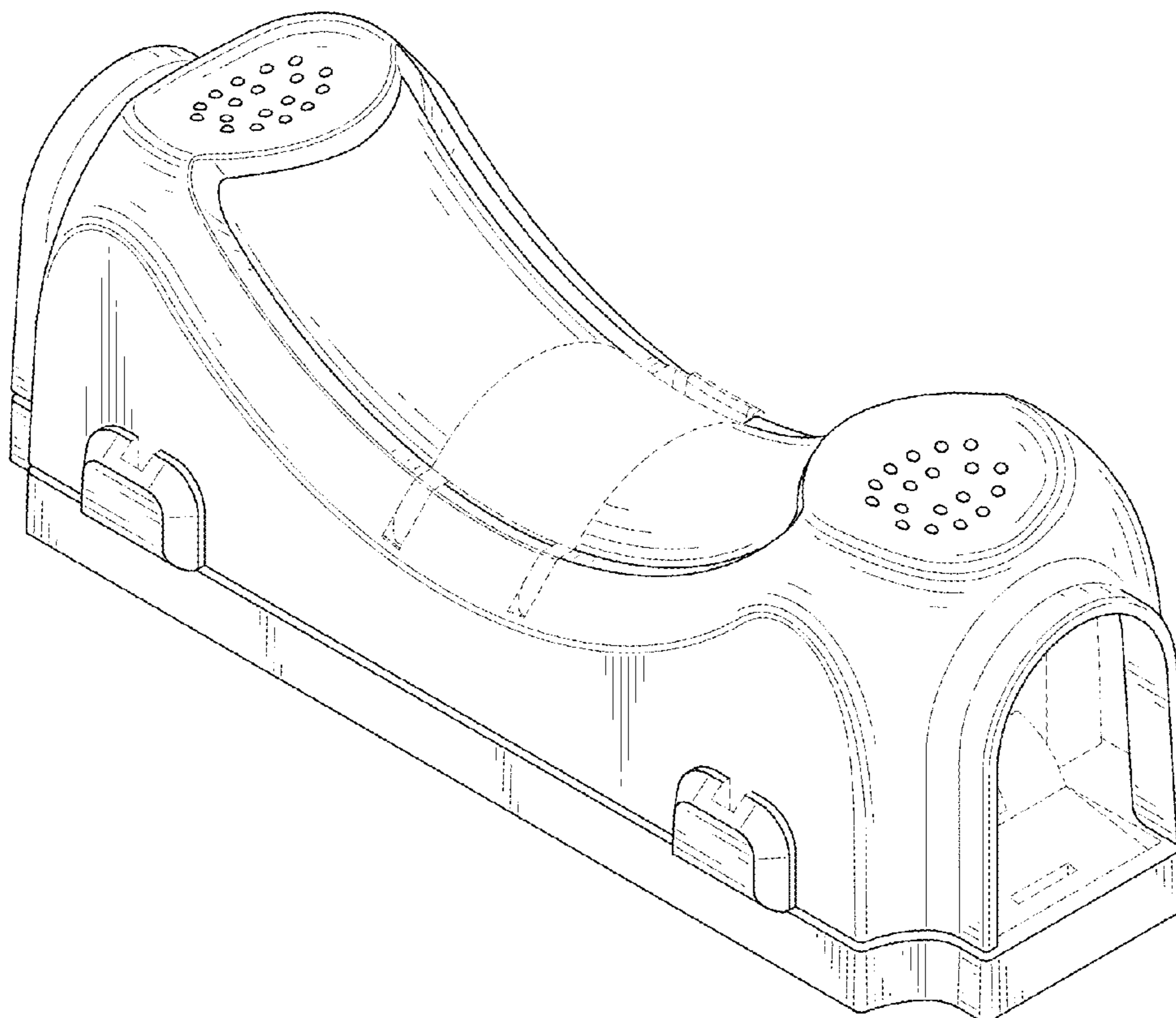
FIG. 7 is a top plan view thereof;

FIG. 8 is a bottom plan view thereof; and,

FIG. 9 is a perspective view of the mousetrap where the mousetrap is in an open state.

The broken lines in the drawings depict portions of the mousetrap that form no part of the claimed design.

**1 Claim, 9 Drawing Sheets**



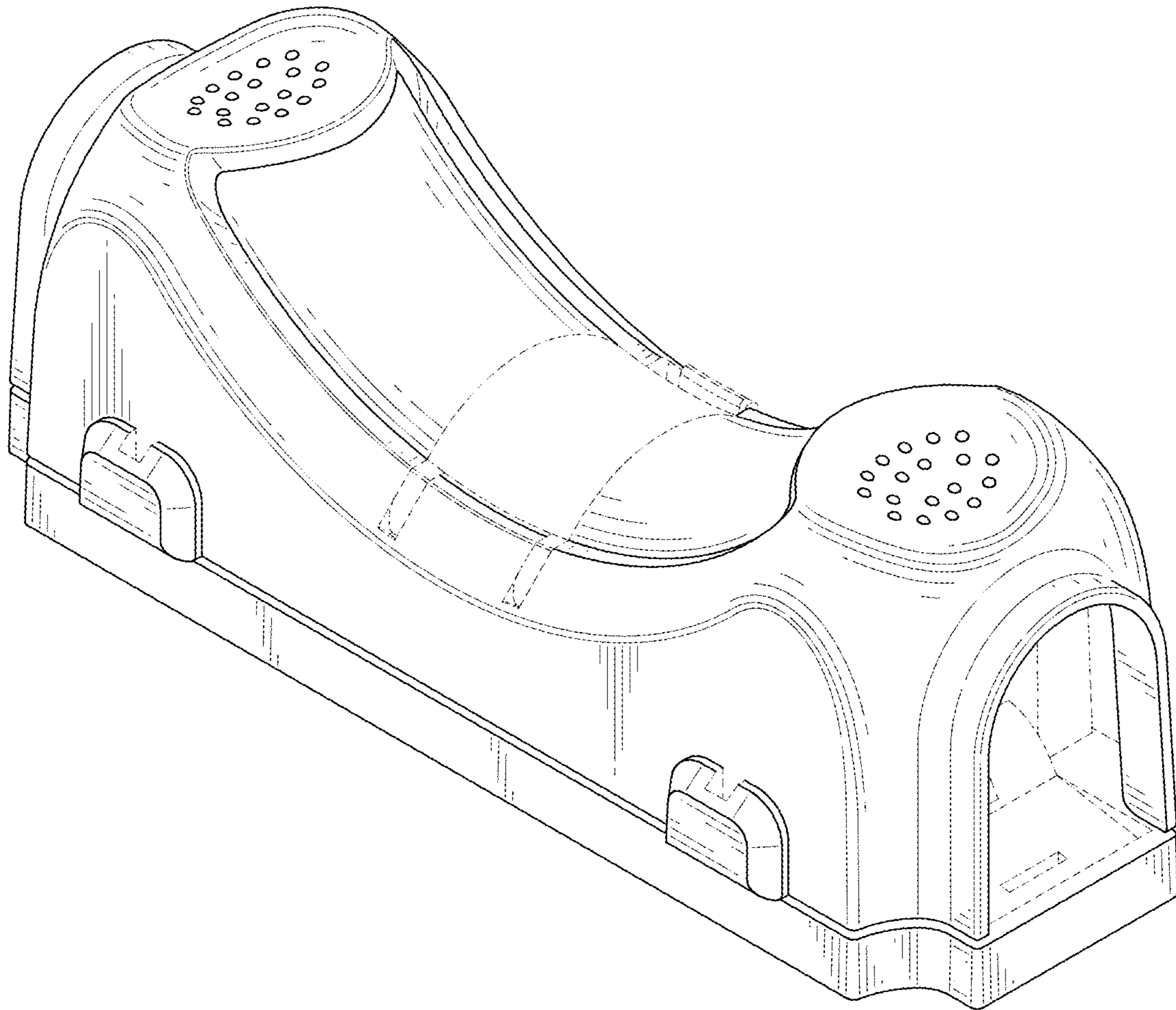


FIG. 1

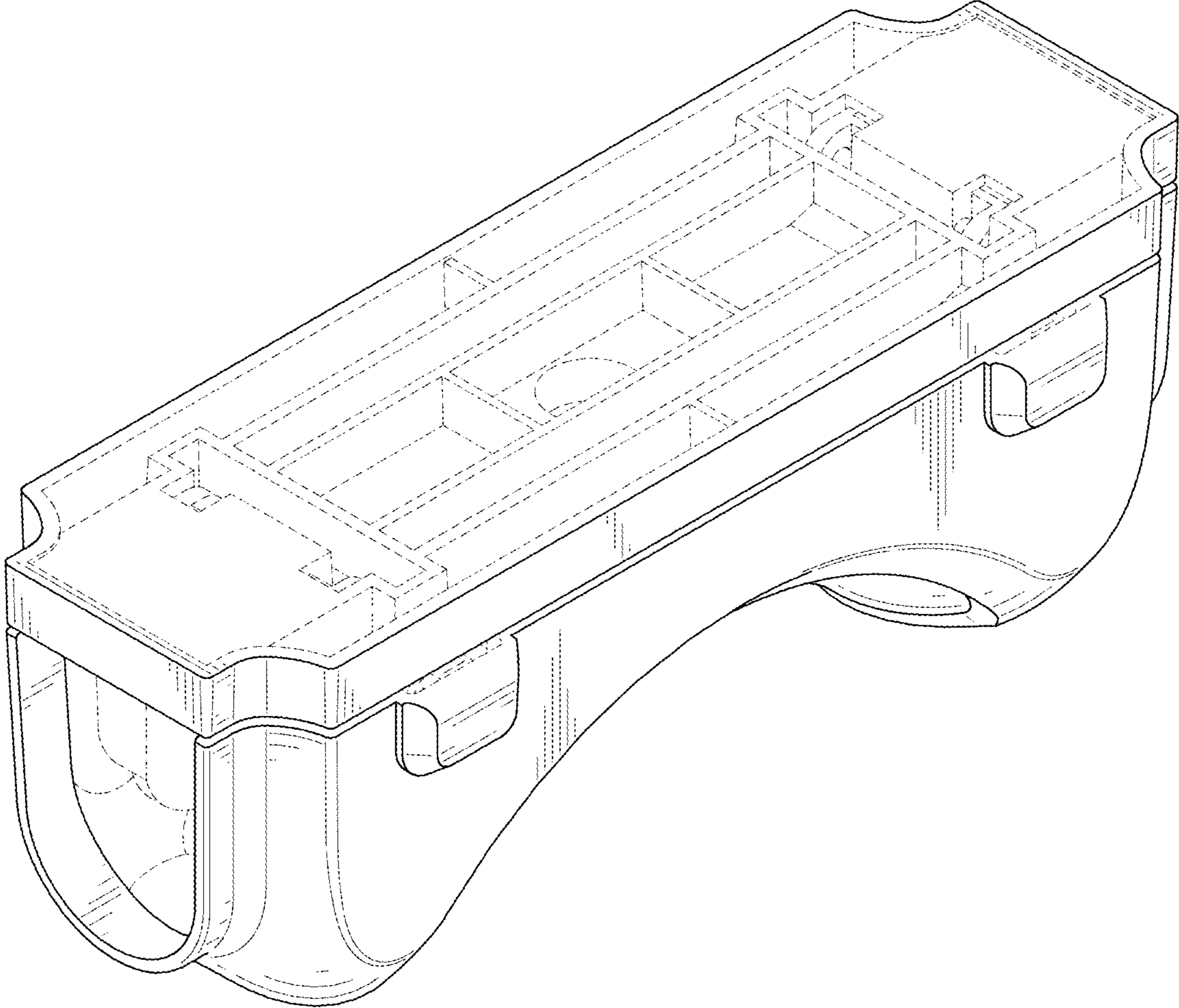


FIG. 2



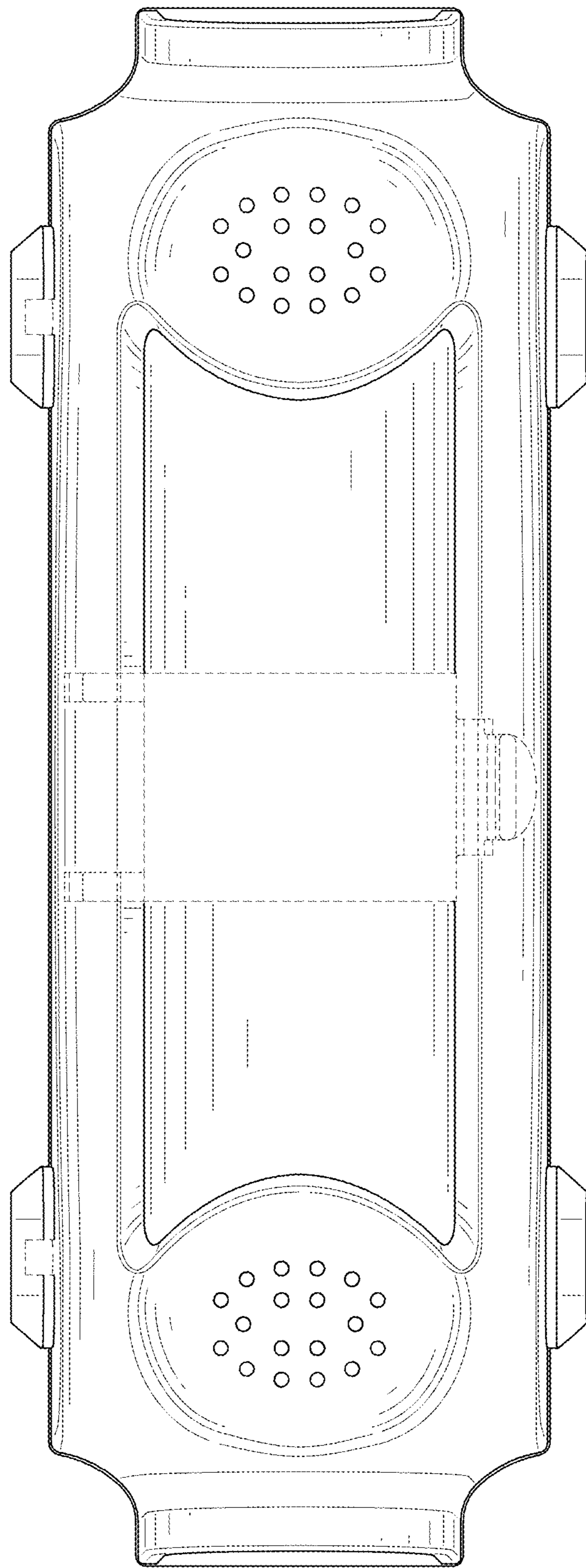


FIG. 3

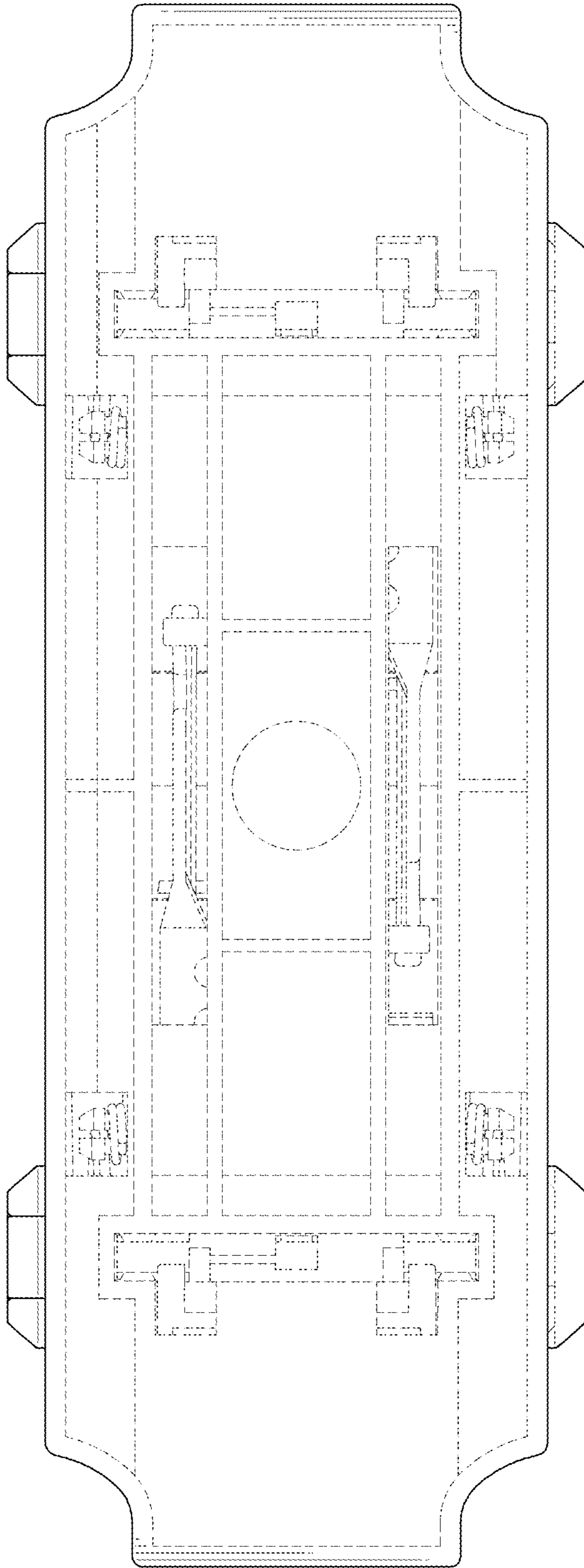


FIG. 4

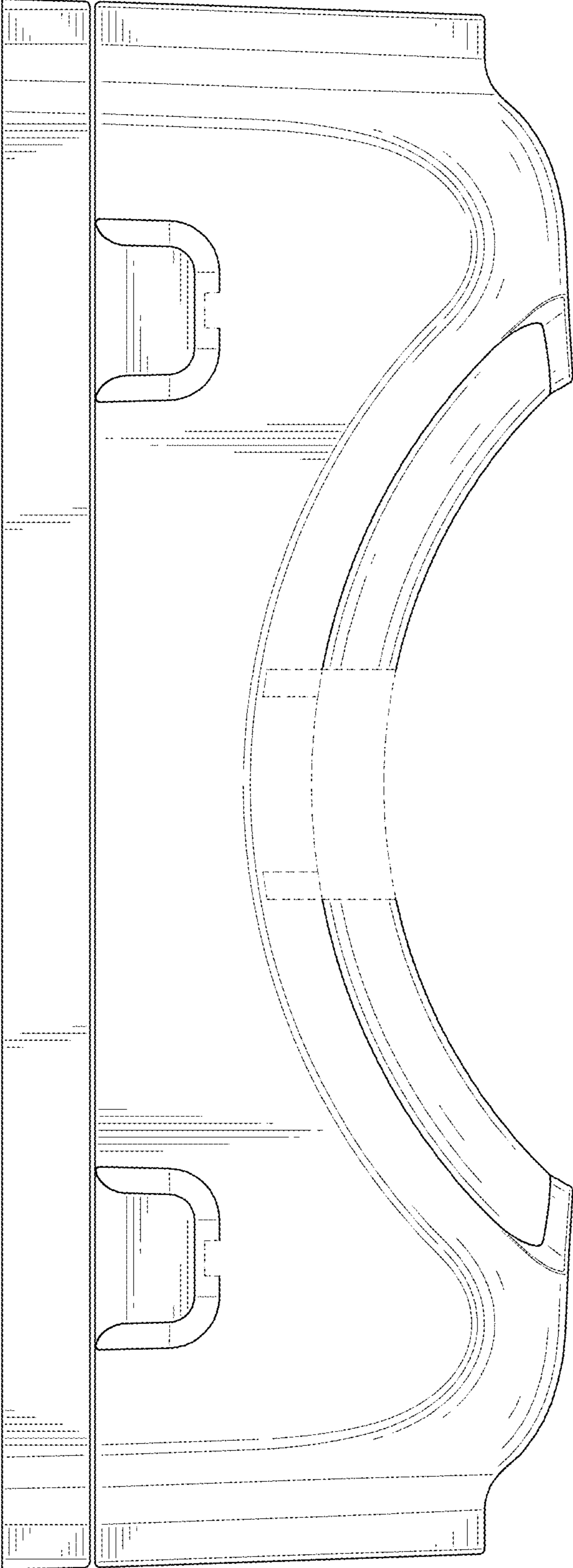


FIG. 5

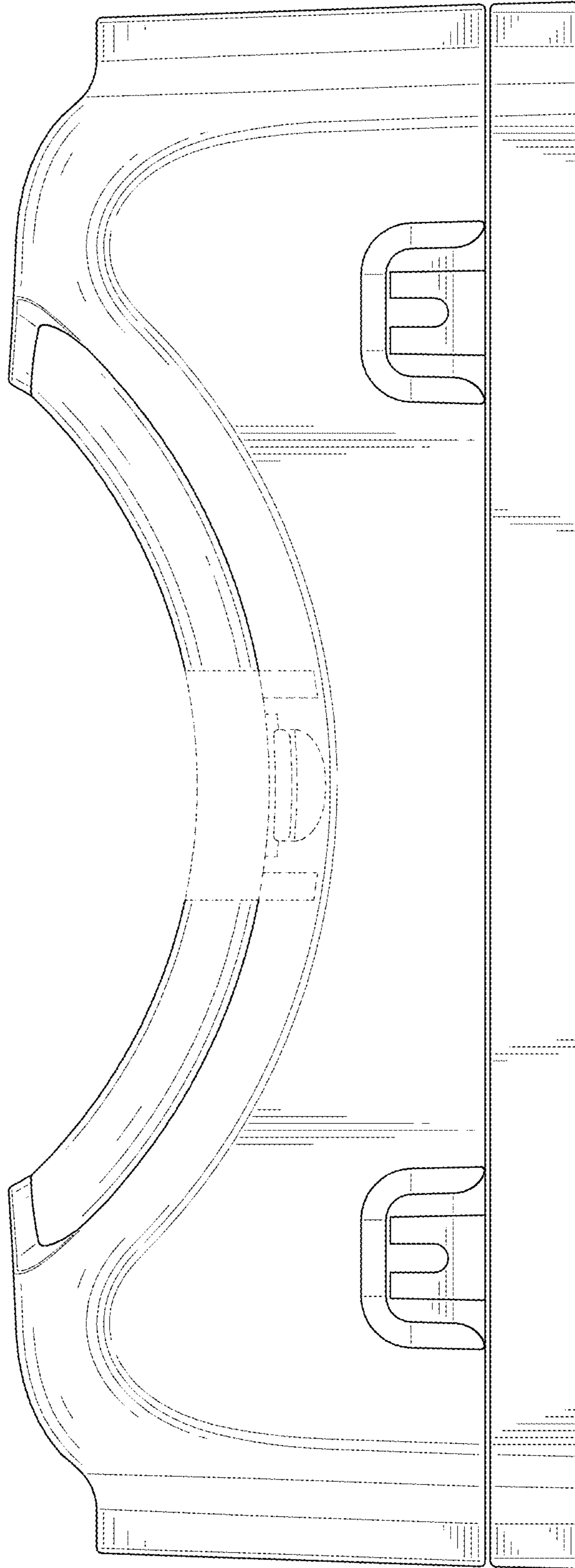


FIG. 6

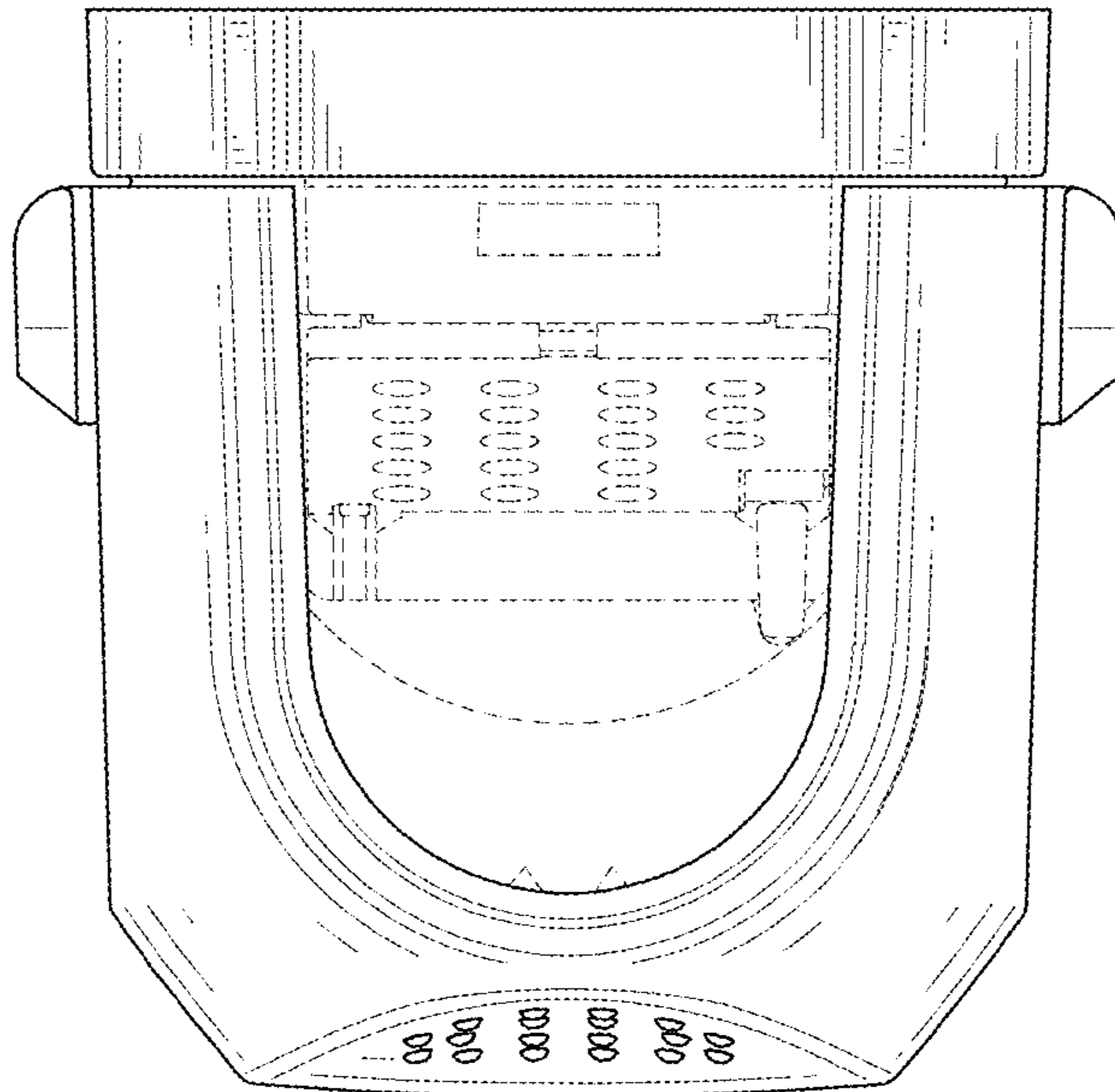


FIG. 7



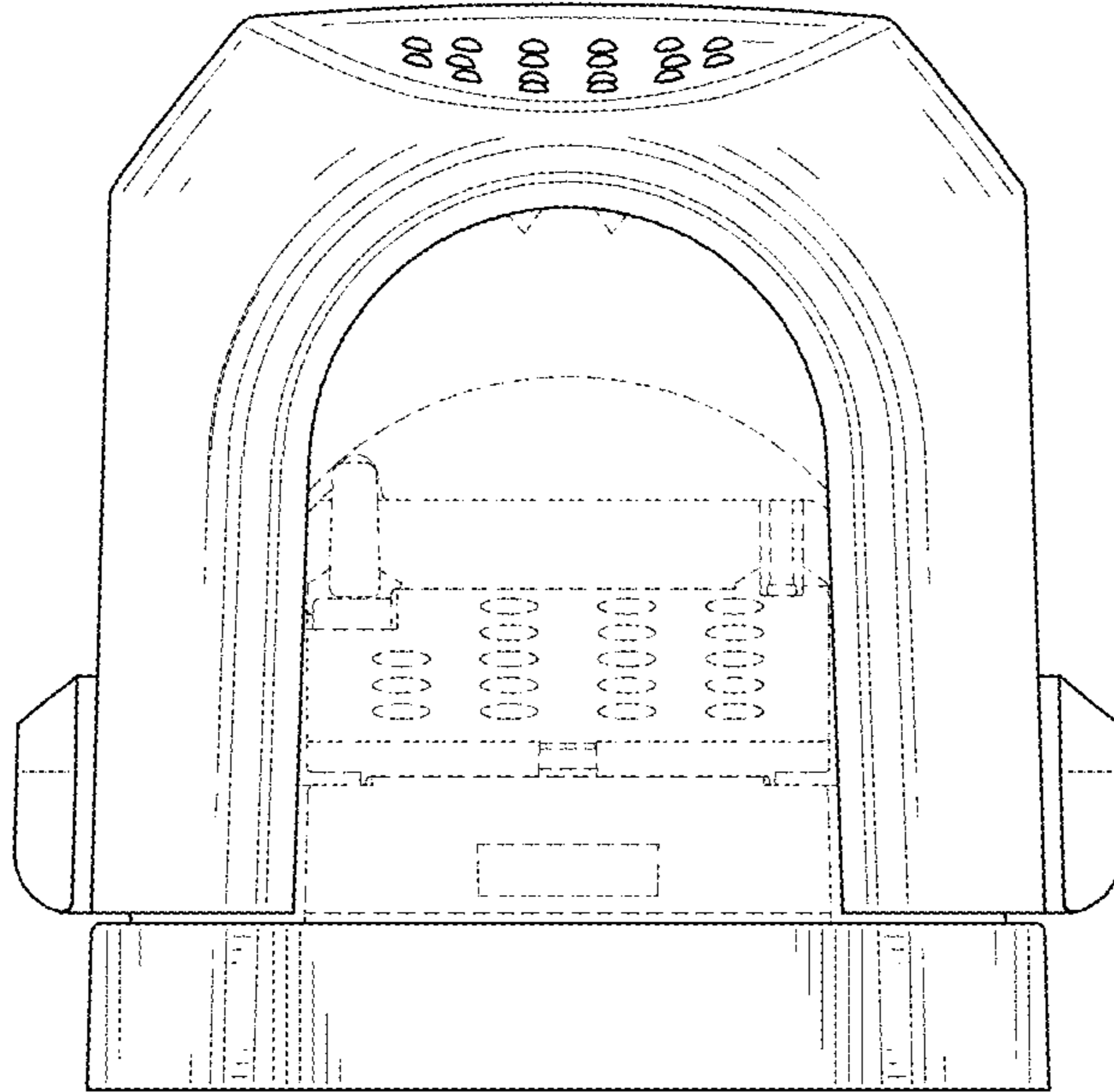


FIG. 8

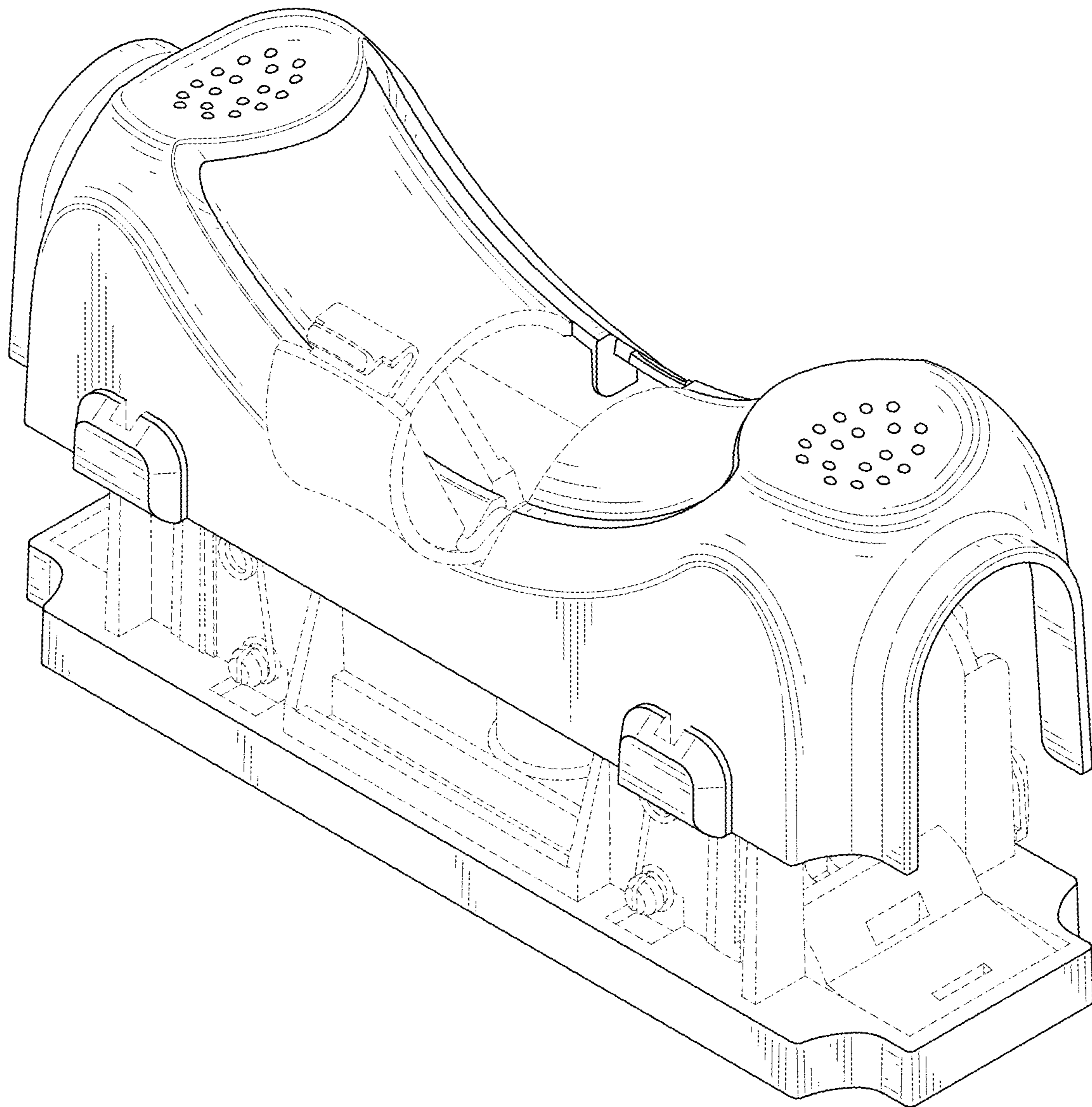


FIG. 9