



US00D899551S

(12) **United States Design Patent**  
**Chiang**

(10) **Patent No.:** **US D899,551 S**

(45) **Date of Patent:** **\*\* Oct. 20, 2020**

(54) **STUN GUN**

(71) Applicant: **Kuei-Chih Chiang**, Taichung (TW)

(72) Inventor: **Kuei-Chih Chiang**, Taichung (TW)

(\*\*) Term: **15 Years**

(21) Appl. No.: **29/699,056**

(22) Filed: **Jul. 23, 2019**

(51) **LOC (12) Cl.** ..... **22-02**

(52) **U.S. Cl.**  
USPC ..... **D22/117**

(58) **Field of Classification Search**  
USPC ..... D22/117; 222/1, 23, 39, 78-79, 153.03,  
222/162, 182, 325, 402.1, 402.11;  
361/232; 89/1.1; 340/573.1, 439.3  
CPC .. A47G 19/24; F41H 5/24; F41H 9/00; F41H  
9/10; F41H 13/0012; F41H 13/0025;  
F41H 15/04; G08B 21/02; F41B 9/0087;  
H05C 1/00

See application file for complete search history.

(56) **References Cited**

**U.S. PATENT DOCUMENTS**

6,196,419 B1 *	3/2001	Haney .....	F41H 9/10 222/153.03
D688,769 S *	8/2013	Lord .....	D22/117
8,985,397 B2 *	3/2015	Lord .....	F41H 9/10 222/162
8,988,229 B2 *	3/2015	Lord .....	F41H 9/10 340/573.1

D805,157 S *	12/2017	Pennington .....	D22/117
D850,570 S *	6/2019	Cerovic .....	D22/117
D867,515 S *	11/2019	Cerovic .....	D22/117
D879,236 S *	3/2020	Arshad .....	D22/117
D879,237 S *	3/2020	Onruang .....	D22/117
2011/0002077 A1 *	1/2011	Brundula .....	H05C 1/06 361/232
2014/0098453 A1 *	4/2014	Brundula .....	F41B 15/04 361/232
2015/0002981 A1 *	1/2015	Klug .....	F41H 13/0025 361/232
2016/0010956 A1 *	1/2016	Hanchett .....	F41H 13/0018 361/232

\* cited by examiner

*Primary Examiner* — Catherine R Oliver-Garcia

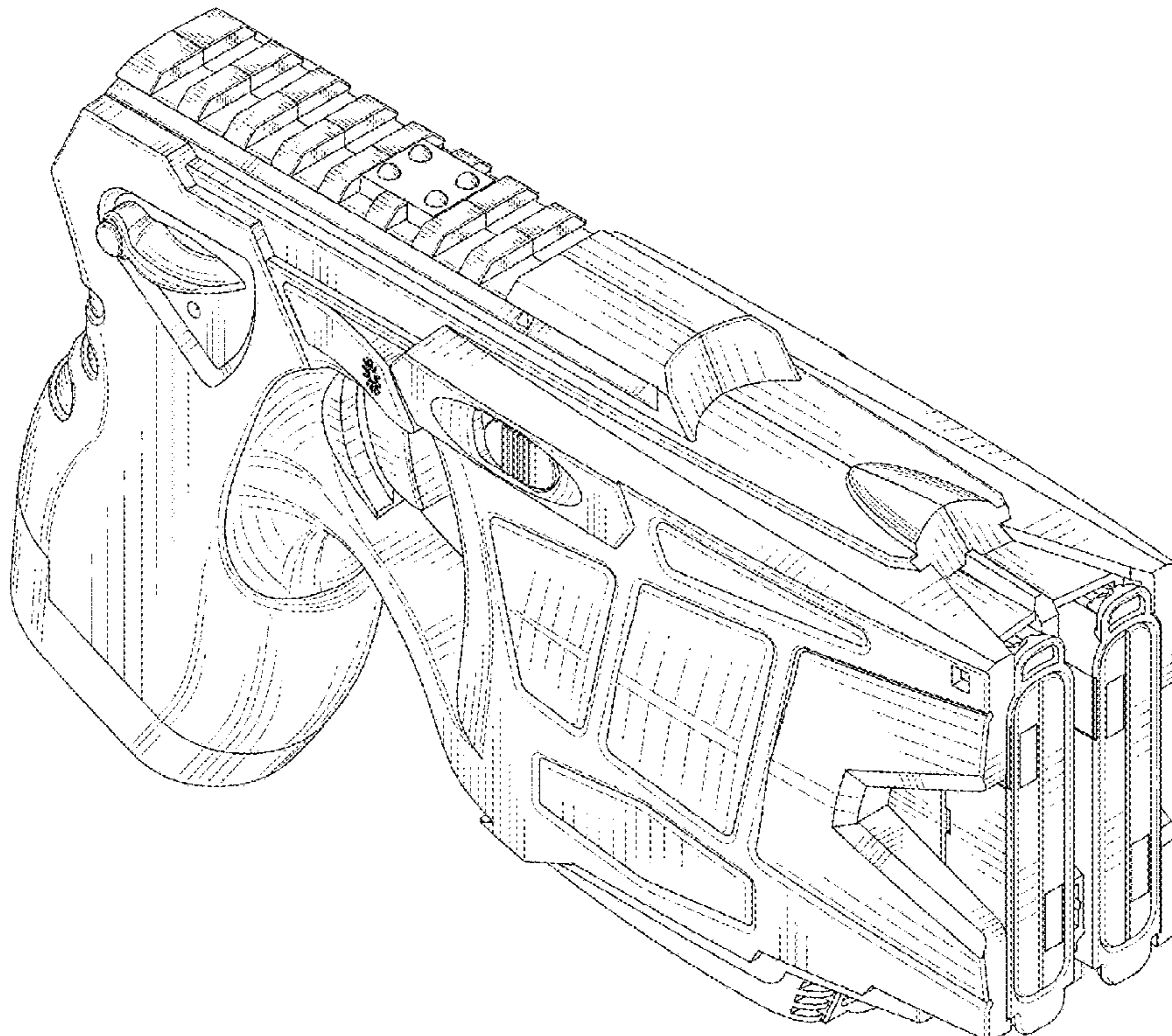
(57) **CLAIM**

I claim the ornamental design for a stun gun, as shown.

**DESCRIPTION**

FIG. 1 is a perspective view of a stun gun showing my new design;  
FIG. 2 is a front view thereof;  
FIG. 3 is a rear view thereof;  
FIG. 4 is a left side view thereof;  
FIG. 5 is a right side view thereof;  
FIG. 6 is a top plan view thereof, and,  
FIG. 7 is a bottom plan view thereof.

**1 Claim, 6 Drawing Sheets**



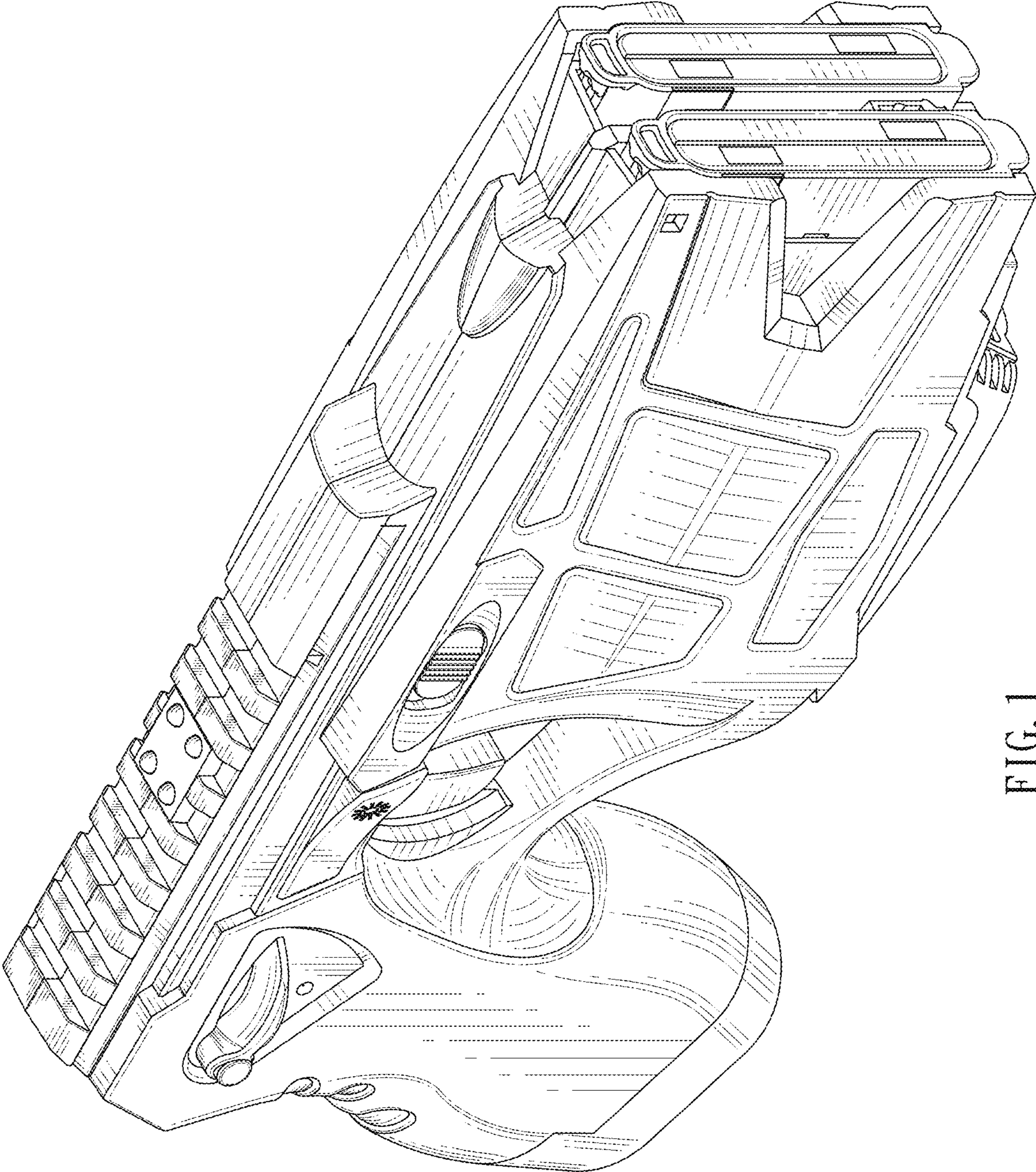


FIG. 1

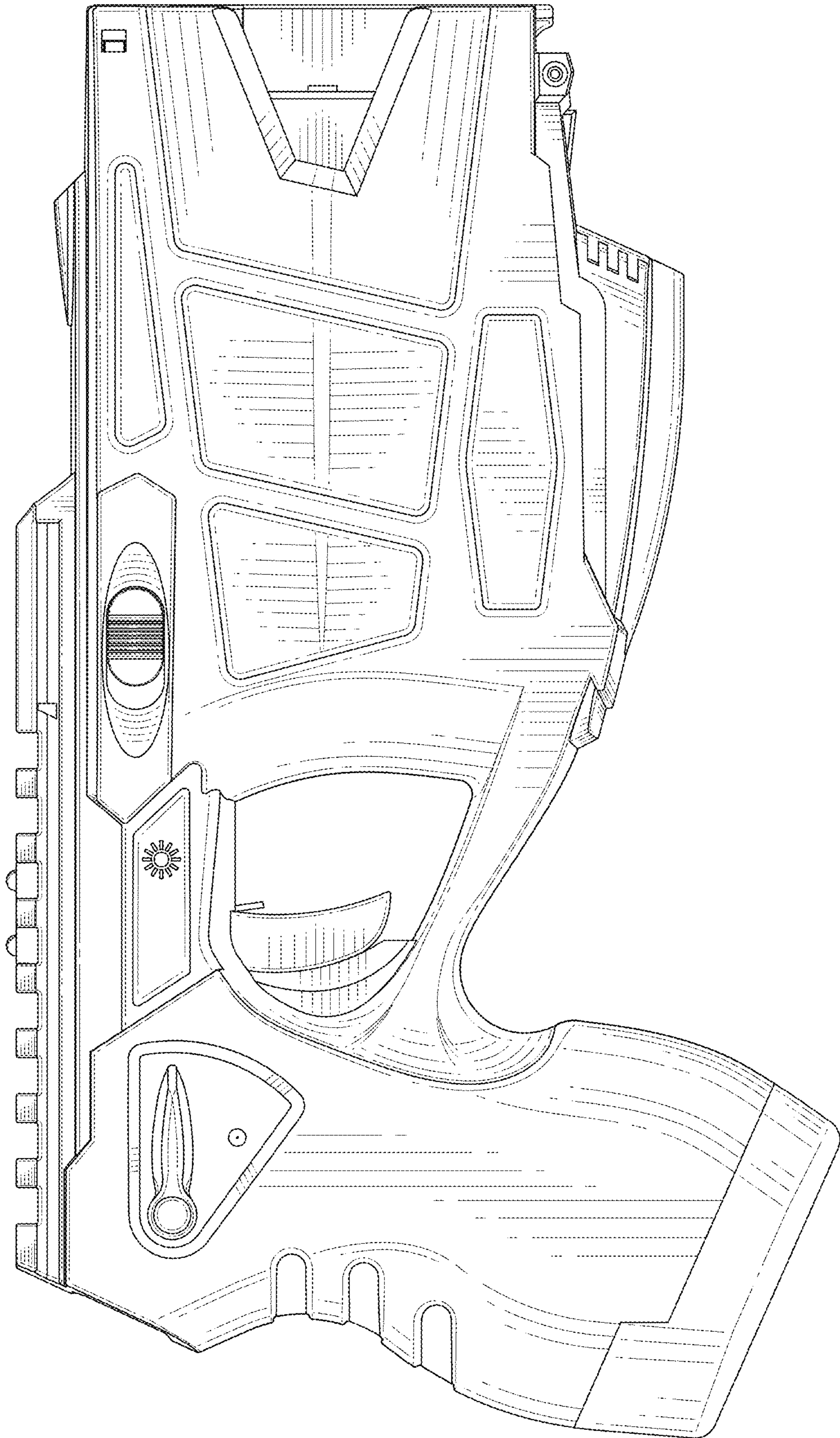


FIG. 2

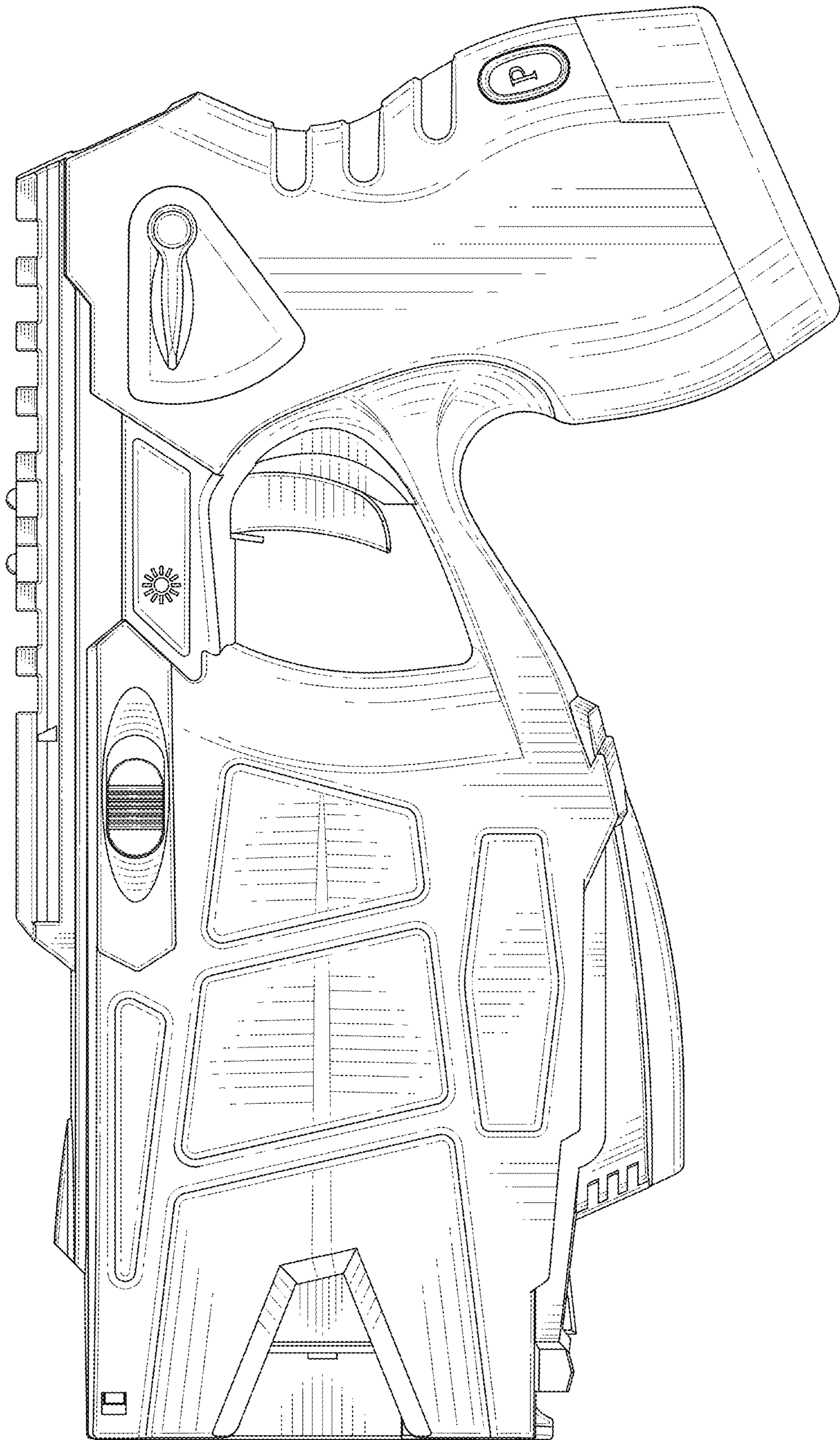


FIG. 3

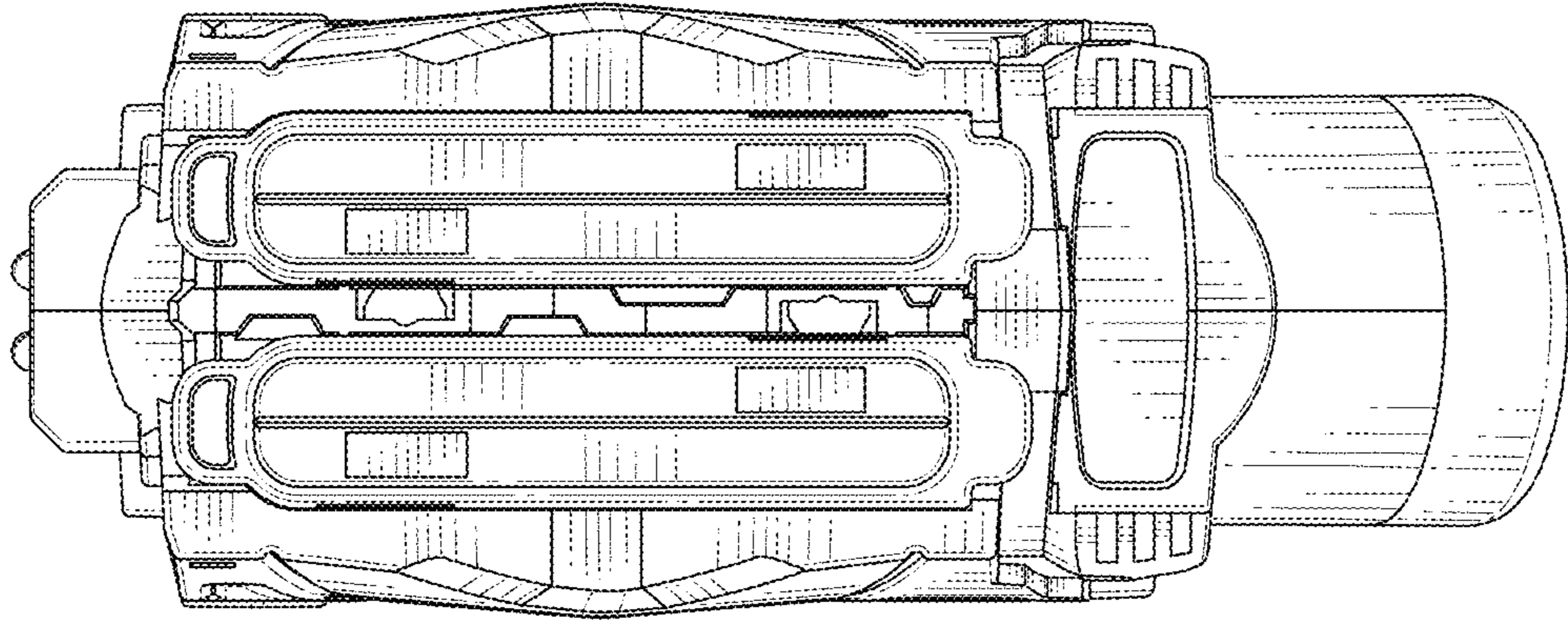


FIG. 5

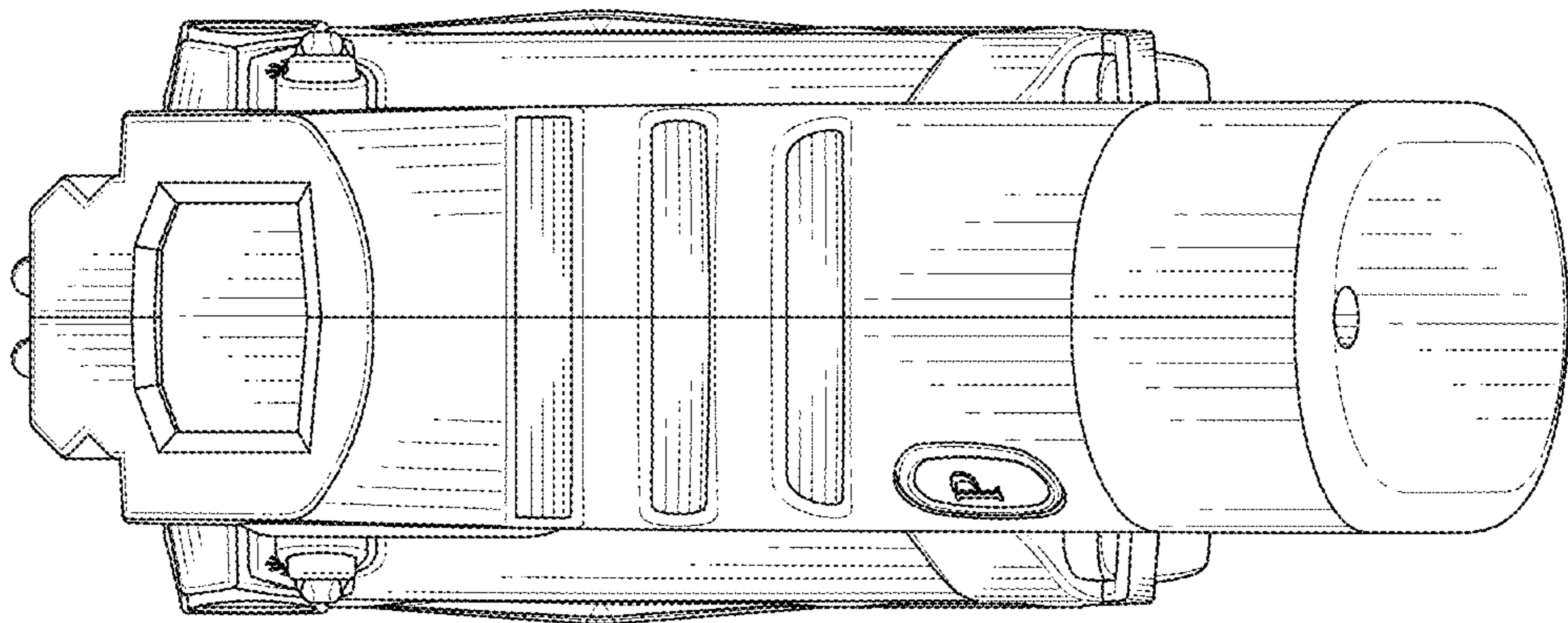


FIG. 4

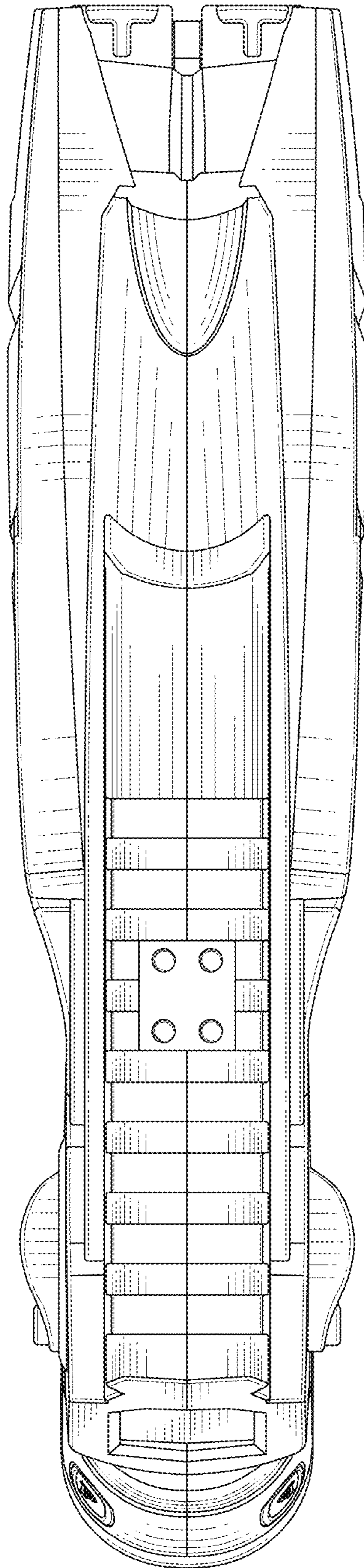


FIG. 6

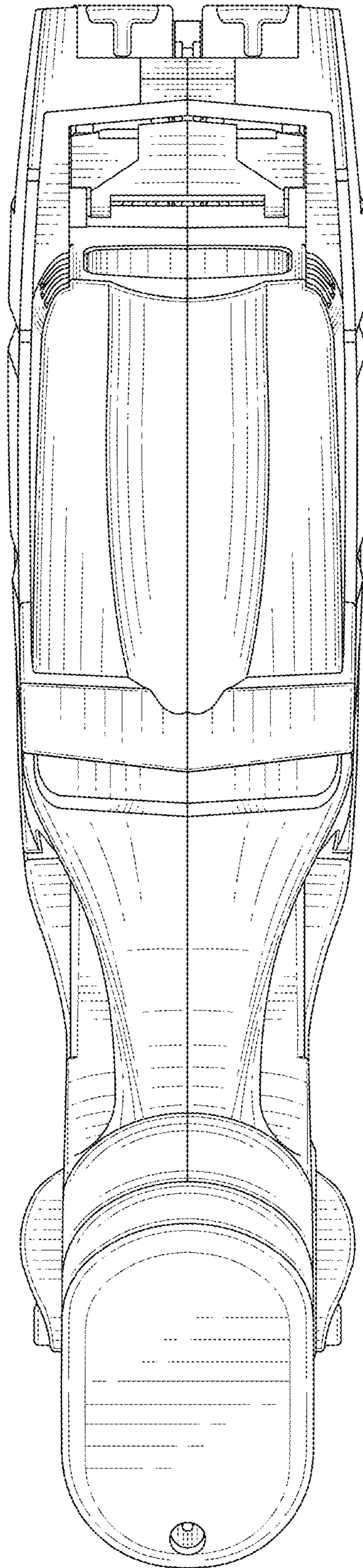


FIG. 7