



US00D899550S

(12) **United States Design Patent**
Berry

(10) **Patent No.:** **US D899,550 S**

(45) **Date of Patent:** **** Oct. 20, 2020**

(54) **SABOT**

(71) Applicant: **Berry's Manufacturing of Utah, Inc.**,
St. George, UT (US)

(72) Inventor: **Tony Berry**, St. George, UT (US)

(73) Assignee: **Berry's Manufacturing of Utah, Inc.**,
St. George, UT (US)

(**) Term: **15 Years**

(21) Appl. No.: **29/688,029**

(22) Filed: **Apr. 17, 2019**

(51) **LOC (12) Cl.** **22-03**

(52) **U.S. Cl.**
USPC **D22/115**

(58) **Field of Classification Search**
USPC D22/115-116
CPC F42B 14/064; F42B 14/061; F42B 14/06;
F42B 14/068

See application file for complete search history.

(56) **References Cited**

U.S. PATENT DOCUMENTS

5,012,744 A * 5/1991 Sowash F42B 14/064
102/439
D610,224 S * 2/2010 MacTavish D22/115

2004/0182274 A1* 9/2004 Bond F42B 14/064
102/520
2010/0095863 A1* 4/2010 Kolnik F42B 14/064
102/502
2013/0312631 A1* 11/2013 Rossmann F42B 14/06
102/522
2014/0190364 A1* 7/2014 Peterson F42B 7/08
102/439
2016/0216092 A1* 7/2016 Langenbeck F42B 10/34
2018/0321022 A1* 11/2018 Peterson F42B 30/02

* cited by examiner

Primary Examiner — Michael A. Pratt

(74) *Attorney, Agent, or Firm* — Gurr Brande &
Spendlove, PLLC; Robert A. Gurr

(57) **CLAIM**

The ornamental design for a sabot, as shown and described.

DESCRIPTION

FIG. 1 is a top perspective view of the sabot;
FIG. 2 is a bottom, side perspective view of the sabot;
FIG. 3 is a side elevation view of the sabot, the opposite side
being a mirror image thereof;
FIG. 4 is a top plan view of the sabot; and,
FIG. 5 is a bottom plan view of sabot.

1 Claim, 3 Drawing Sheets

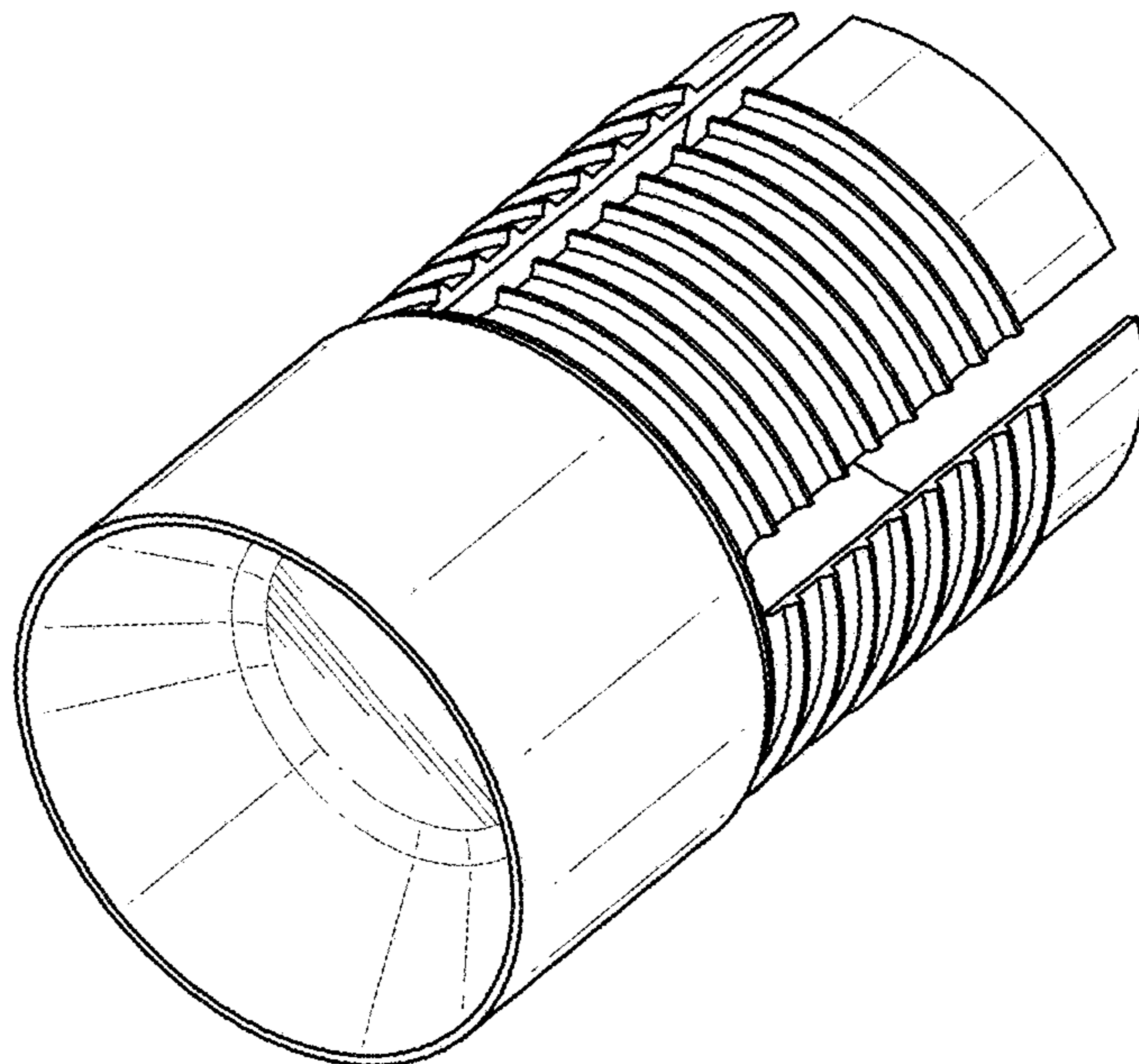
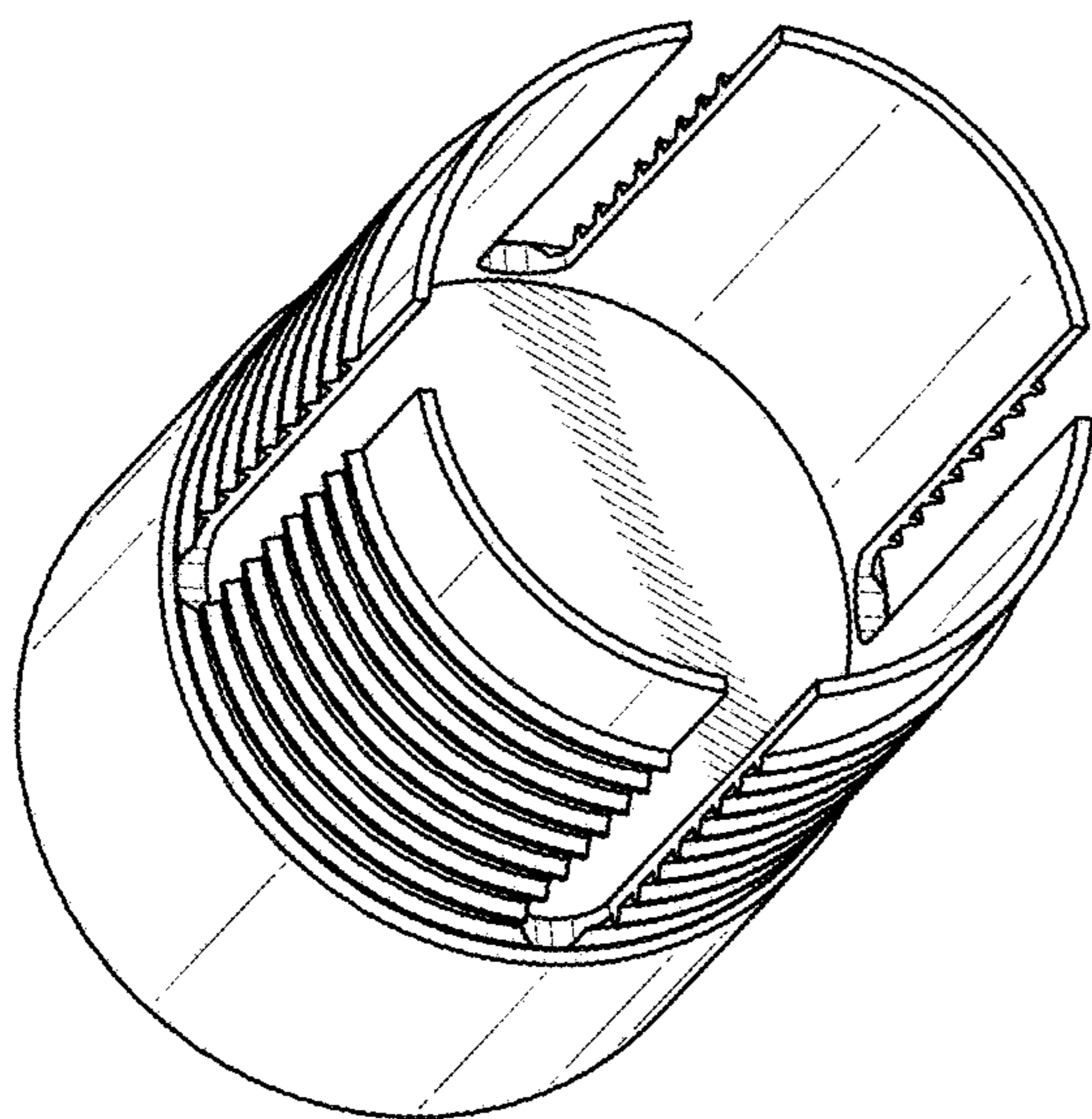


FIG. 1

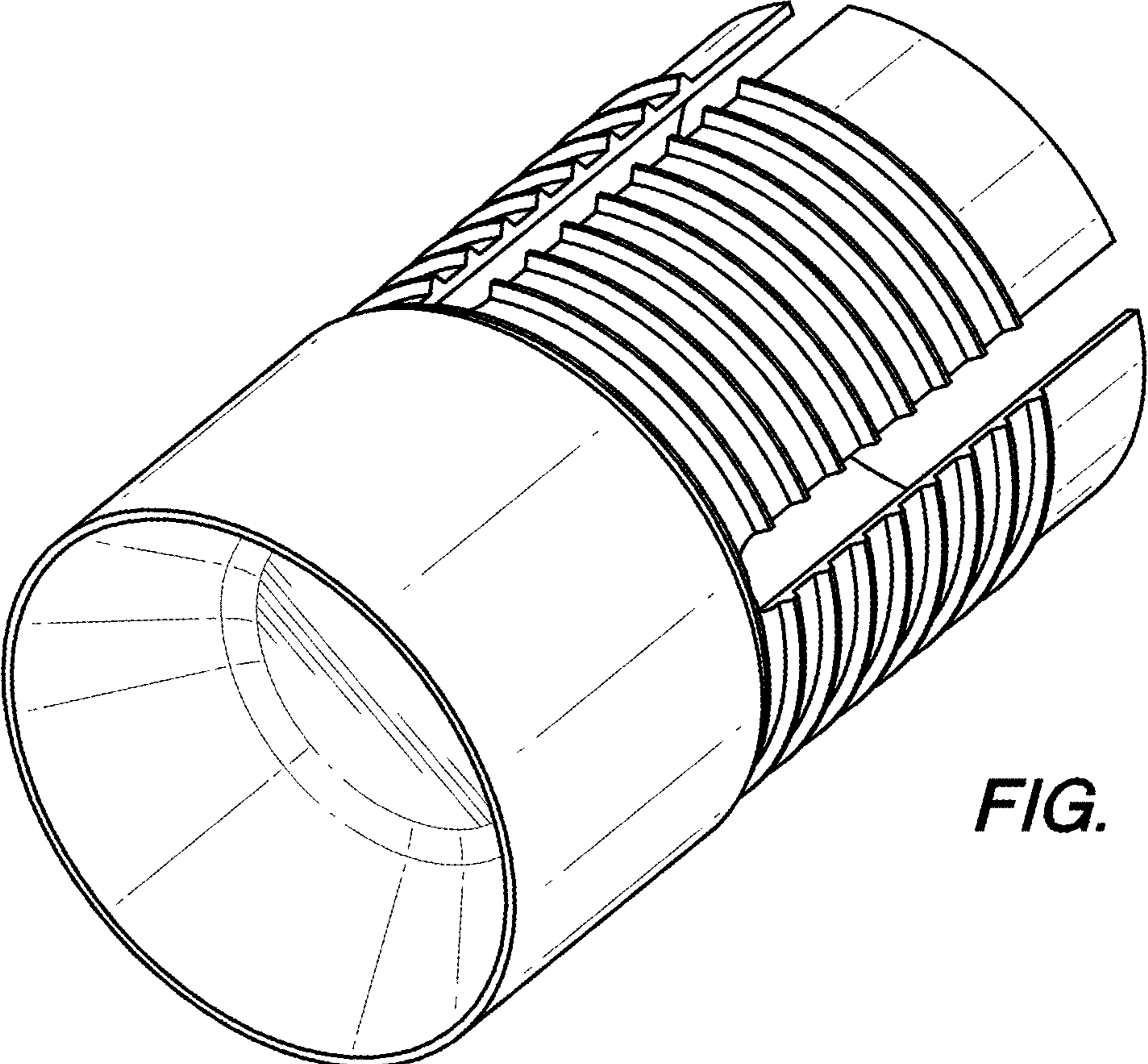
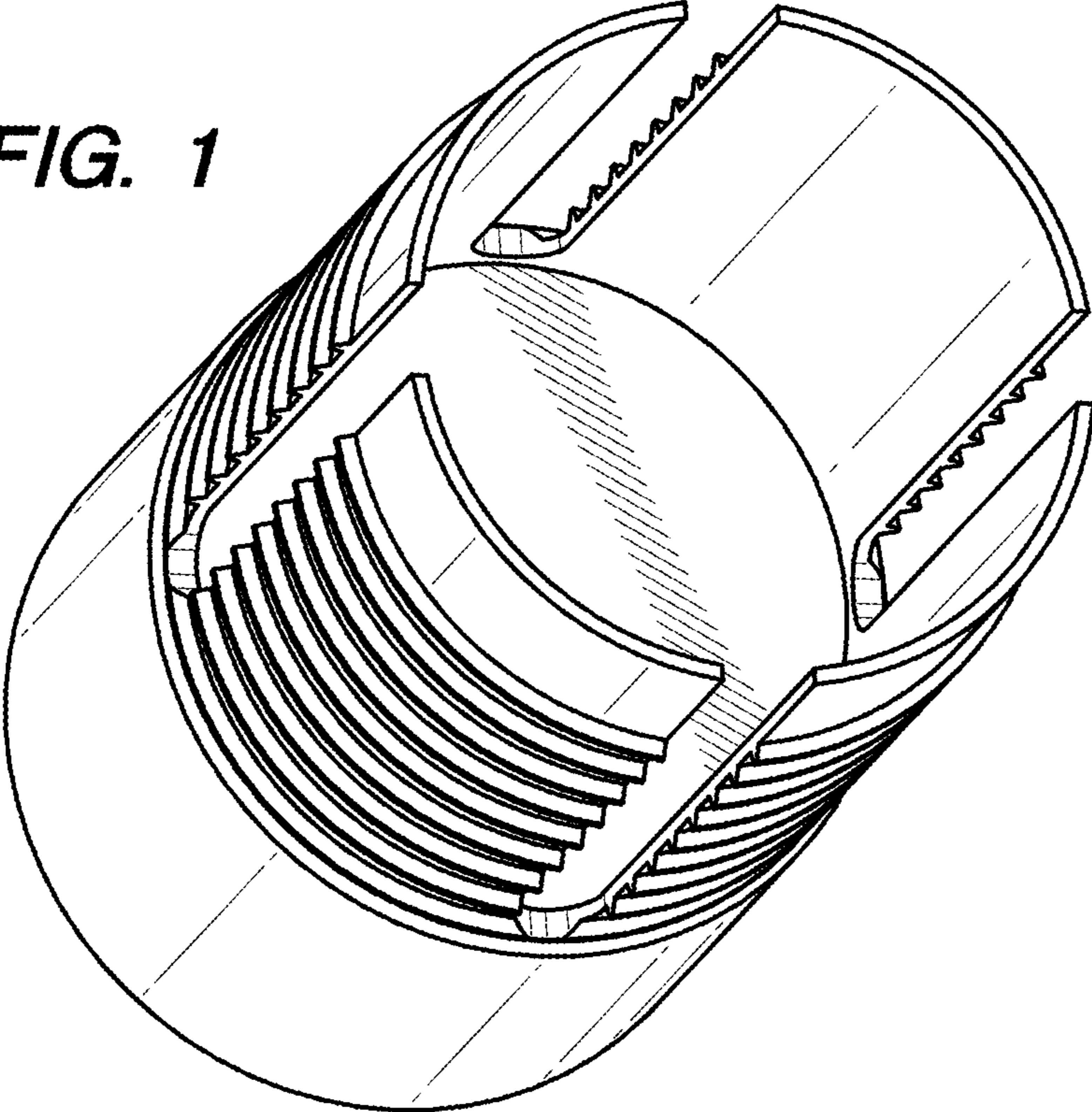


FIG. 2

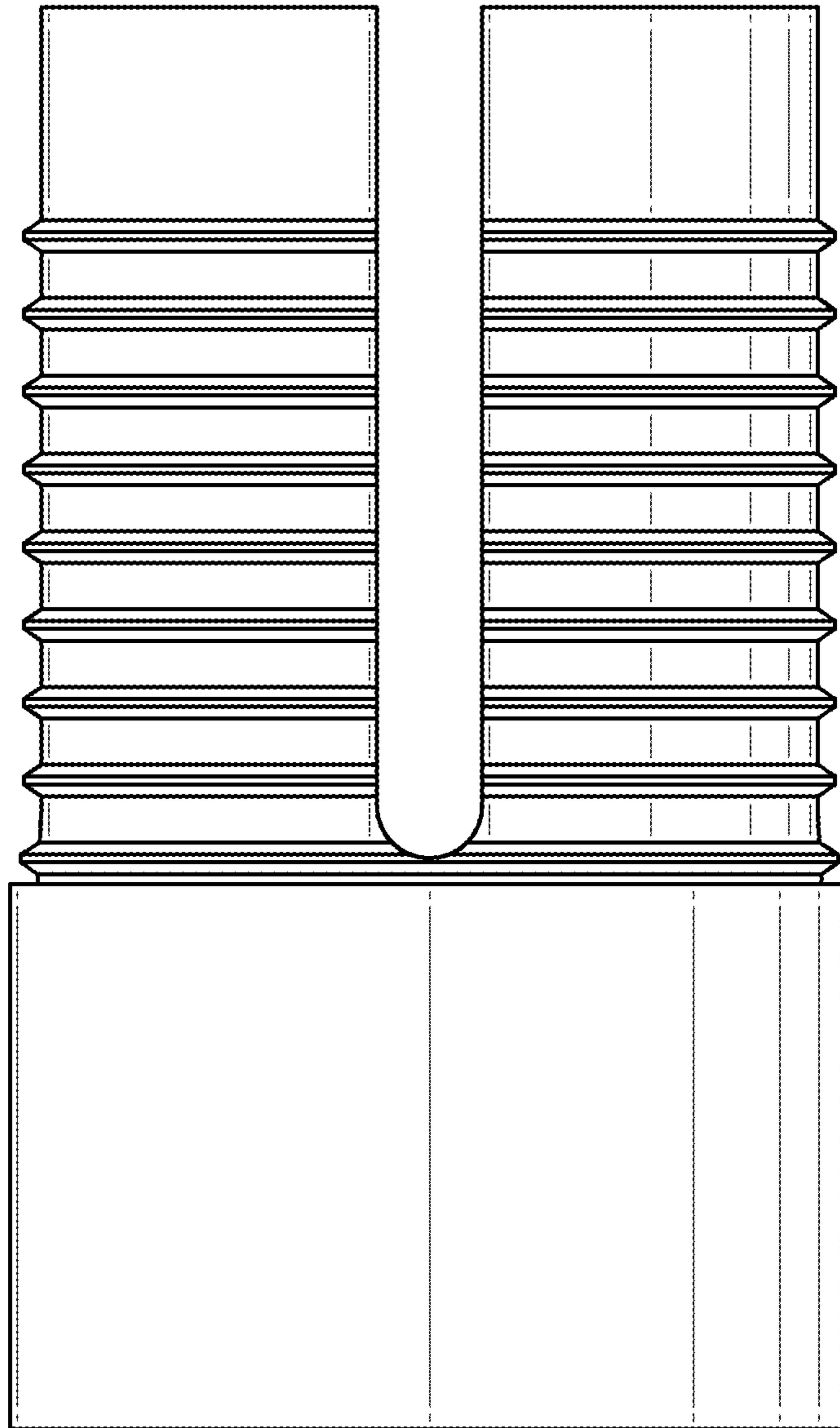


FIG. 3

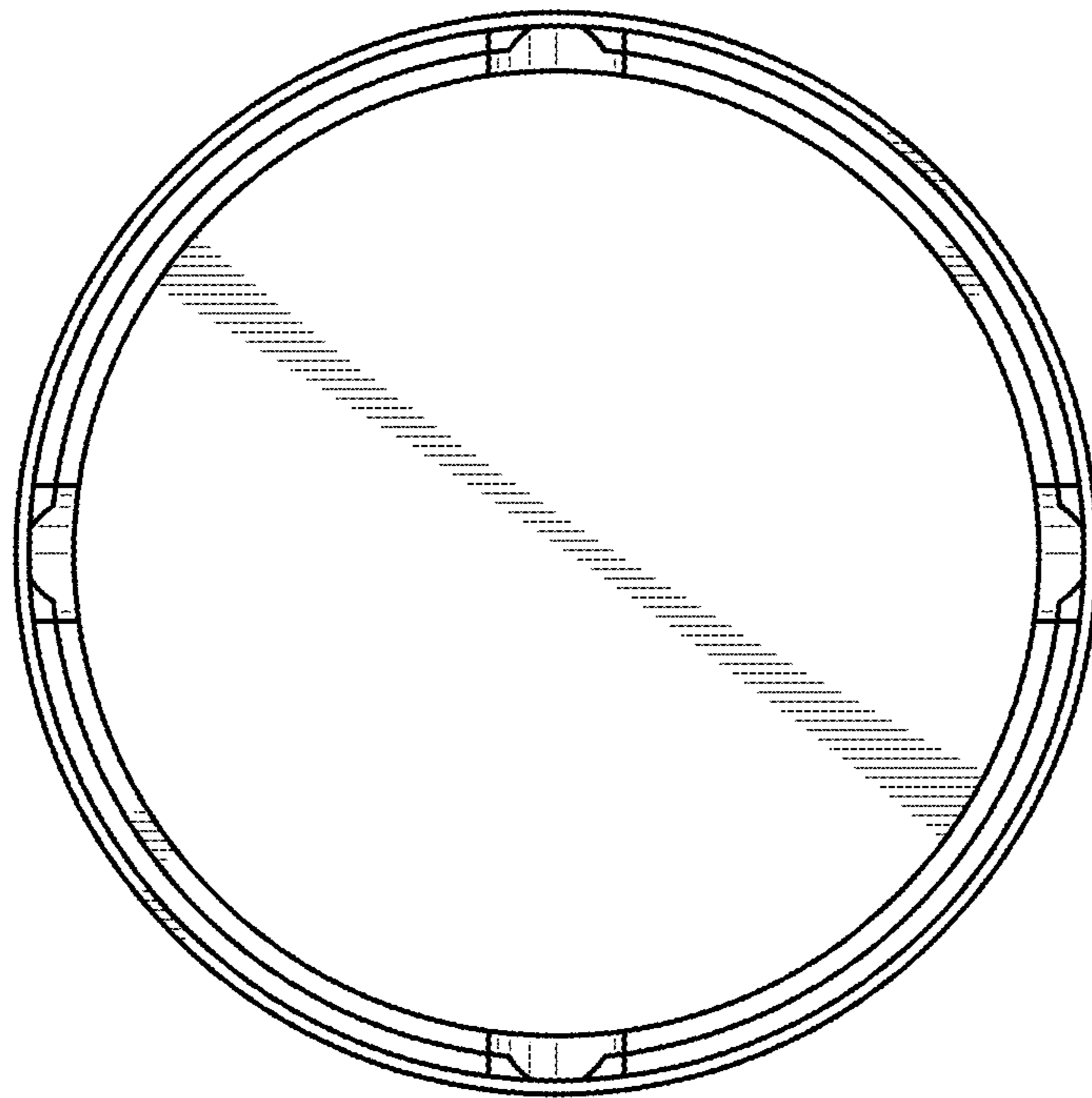


FIG. 4

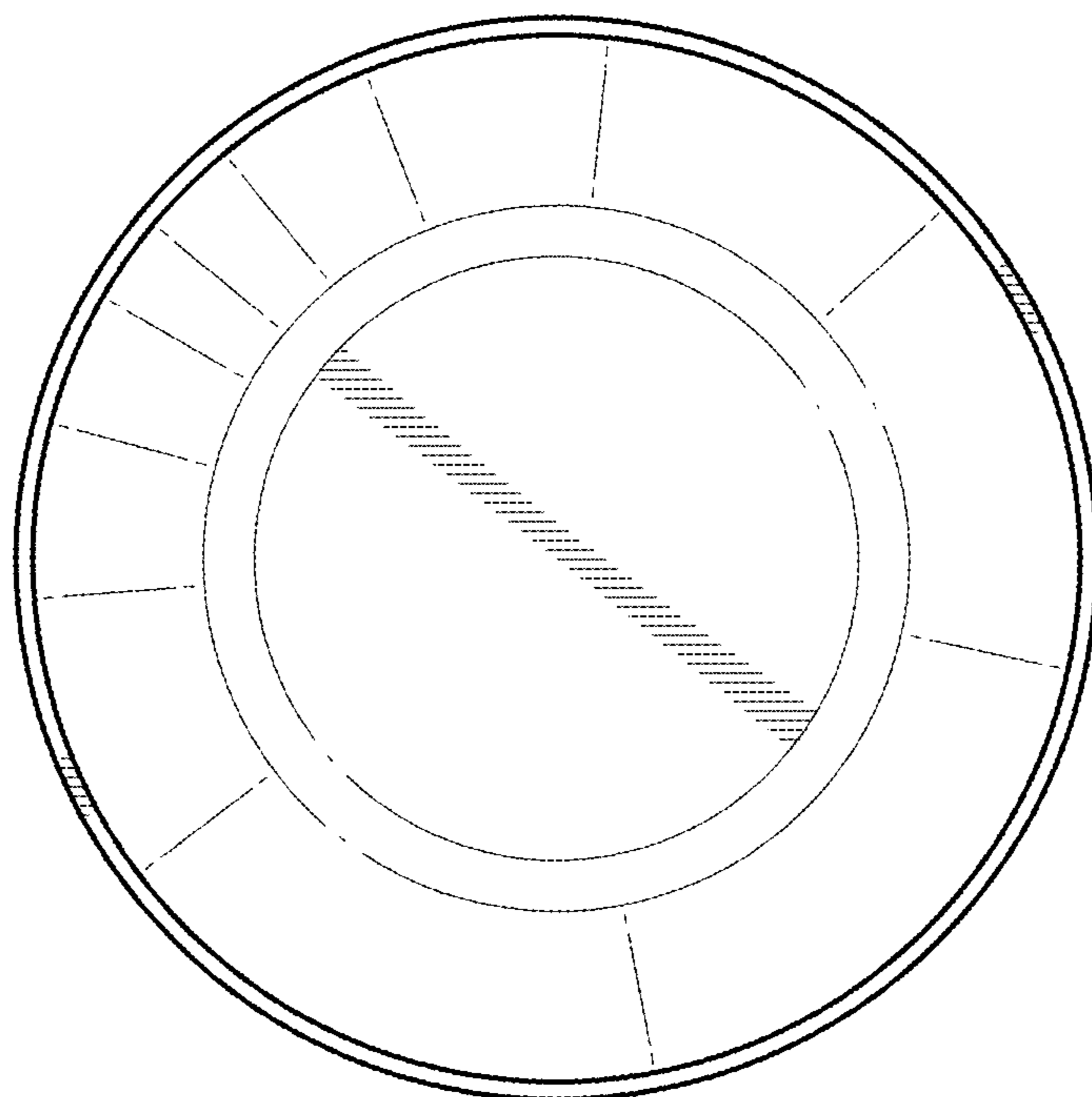


FIG. 5