



US00D899549S

(12) **United States Design Patent** (10) **Patent No.:** **US D899,549 S**
Hu (45) **Date of Patent:** **** Oct. 20, 2020**

(54) **GUNSTOCK**

(71) Applicant: **Shih-Che Hu**, Tainan (TW)

(72) Inventor: **Shih-Che Hu**, Tainan (TW)

(**) Term: **15 Years**

(21) Appl. No.: **29/695,371**

(22) Filed: **Jun. 18, 2019**

(30) **Foreign Application Priority Data**

May 27, 2019 (TW) 108303138

(51) **LOC (12) Cl.** **22-01**

(52) **U.S. Cl.**
USPC **D22/111; D22/108**

(58) **Field of Classification Search**
USPC D22/100, 101, 103, 104, 108, 109, 110,
D22/111, 115, 116, 199; D21/567, 573,
D21/574

CPC ... F41G 1/30; F41G 1/42; F41G 11/00; F41G
11/001; F41C 7/00; F41C 3/005; F41C
23/04; F41C 23/10

See application file for complete search history.

(56) **References Cited**

U.S. PATENT DOCUMENTS

- 8,819,976 B1 * 9/2014 Kellgren F41A 21/482
42/6
- D731,023 S * 6/2015 Hirt D22/108
- 9,109,855 B1 * 8/2015 Kincel F41C 23/20
- D738,981 S * 9/2015 Zusman D22/108
- D745,622 S * 12/2015 Zusman D22/108
- D747,427 S * 1/2016 Zusman D22/108
- 9,488,434 B2 * 11/2016 Kielsmeier F41C 23/04
- 9,829,272 B2 * 11/2017 Brown F41C 23/04
- D809,621 S * 2/2018 Lam D22/108
- D828,476 S * 9/2018 Smith D22/108
- 10,156,421 B2 * 12/2018 Smith F41C 23/04
- D852,309 S * 6/2019 Al-Khateeb D22/108

- D852,919 S * 7/2019 Taylor D22/108
- D872,215 S * 1/2020 Overstreet D22/108
- D877,281 S * 3/2020 Jones D22/108
- 2012/0174456 A1 * 7/2012 DePierro F41C 23/20
42/71.01

OTHER PUBLICATIONS

“Mission First Tactical (MFT) Introduces Battlelink Extreme Duty Minimalist Stock” [online]. Luke C. [Published on Sep. 23, 2019]. Retrieved from the Internet: <<https://www.thefirearmblog.com/blog/2019/09/23/mission-first-tactical-mft-introduces-battlelink-extreme-duty-minimalist-stock/>>.*

* cited by examiner

Primary Examiner — Khawaja Anwar
Assistant Examiner — Mojtaba Tehrani

(74) *Attorney, Agent, or Firm* — Raymond Y. Chan;
David and Raymond Patent Firm

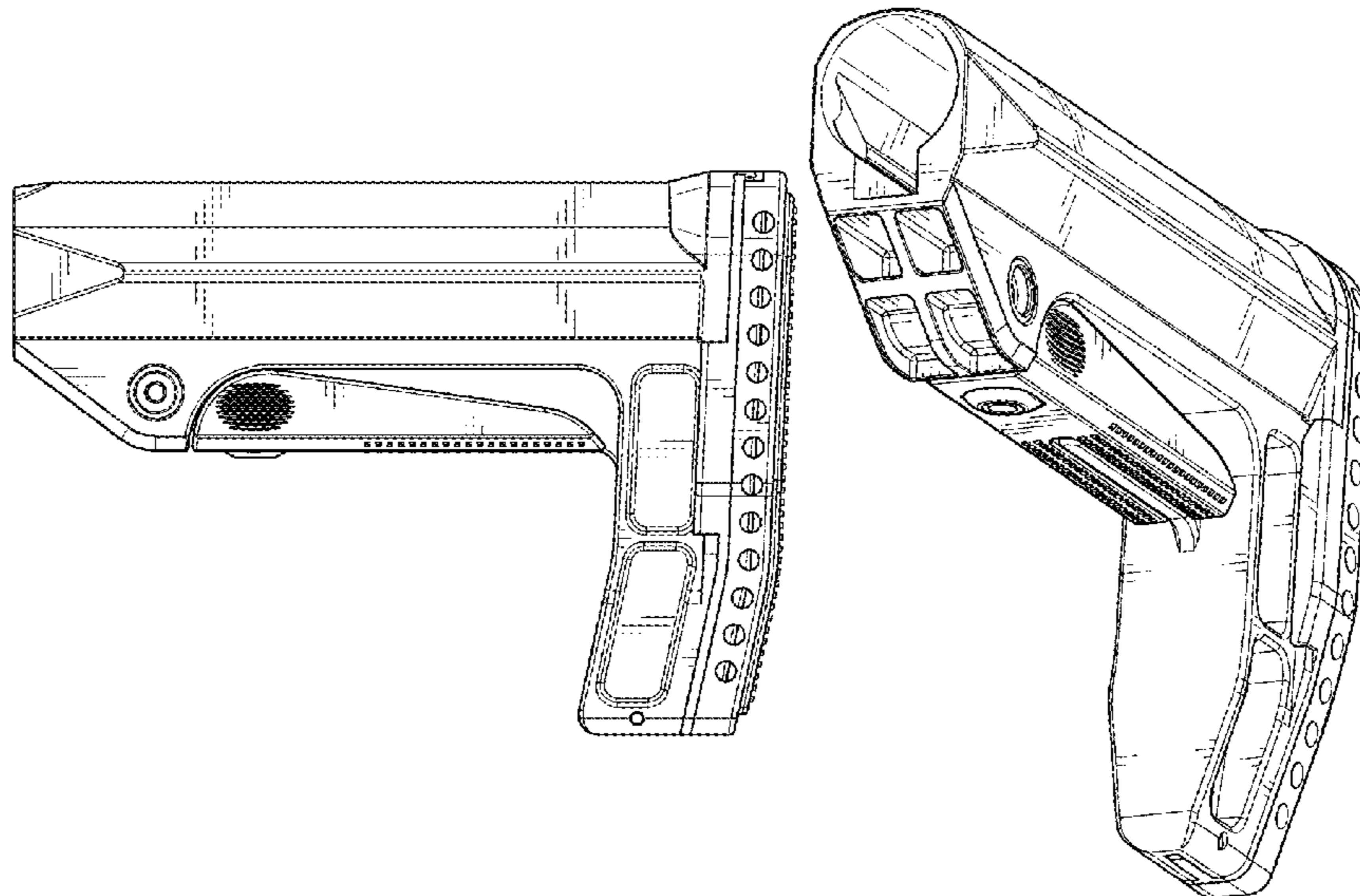
(57) **CLAIM**

The ornamental design for a gunstock, as shown and described.

DESCRIPTION

FIG. 1 is a front perspective view of gunstock showing my new design;
FIG. 2 is a front view thereof;
FIG. 3 is a rear view thereof;
FIG. 4 is a left end view thereof;
FIG. 5 is a right end view thereof;
FIG. 6 is a top view thereof;
FIG. 7 is a bottom view thereof;
FIG. 8 is a rear perspective view thereof;
FIG. 9 is a front perspective view showing another angle of my new design; and,
FIG. 10 is a referential operational and referential front side view of the gunstock with a gun body, wherein the broken lines in the drawing is for illustrative purpose only and shows the portion that forms no part of the design to be claimed.

1 Claim, 7 Drawing Sheets



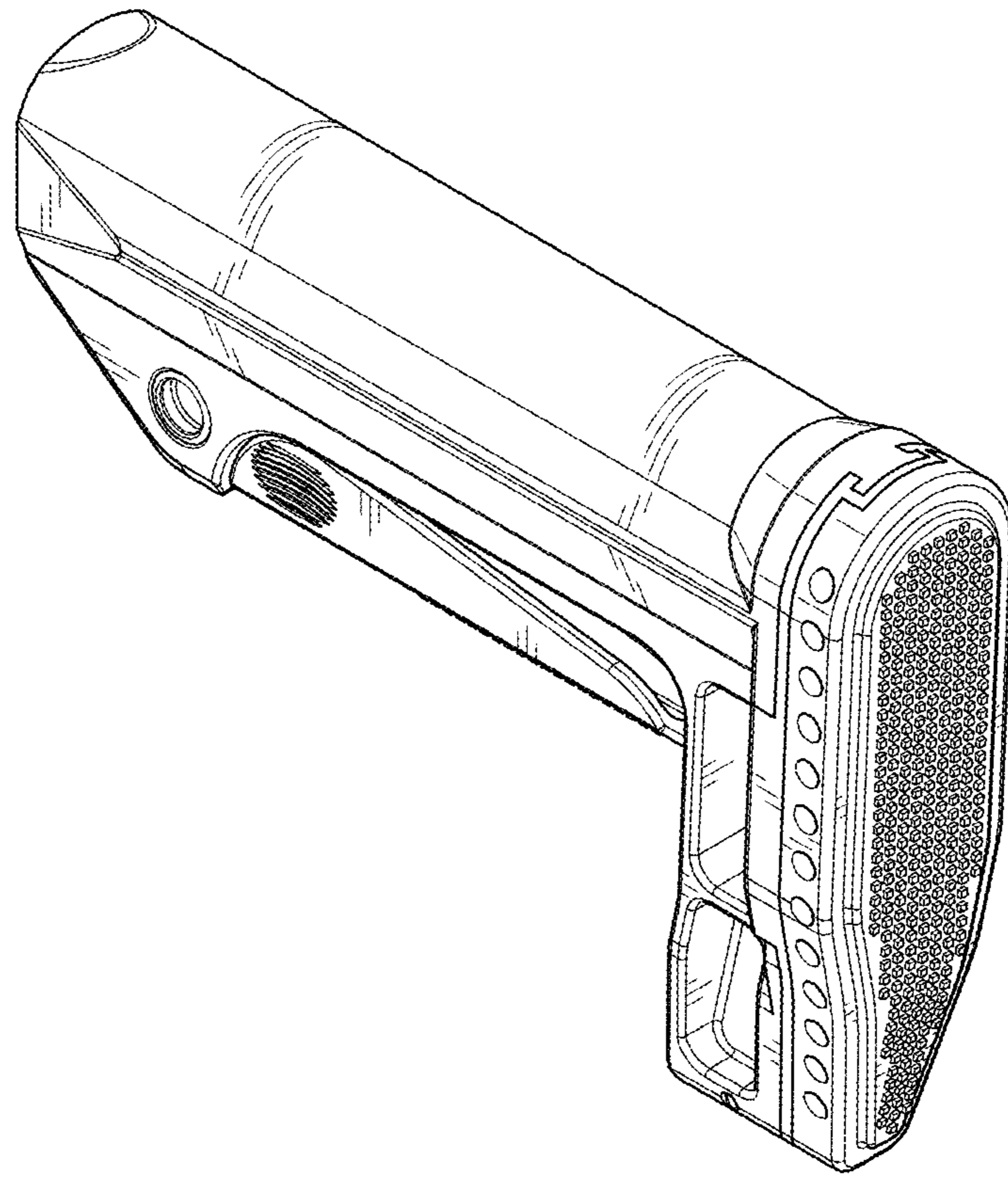


FIG. 1

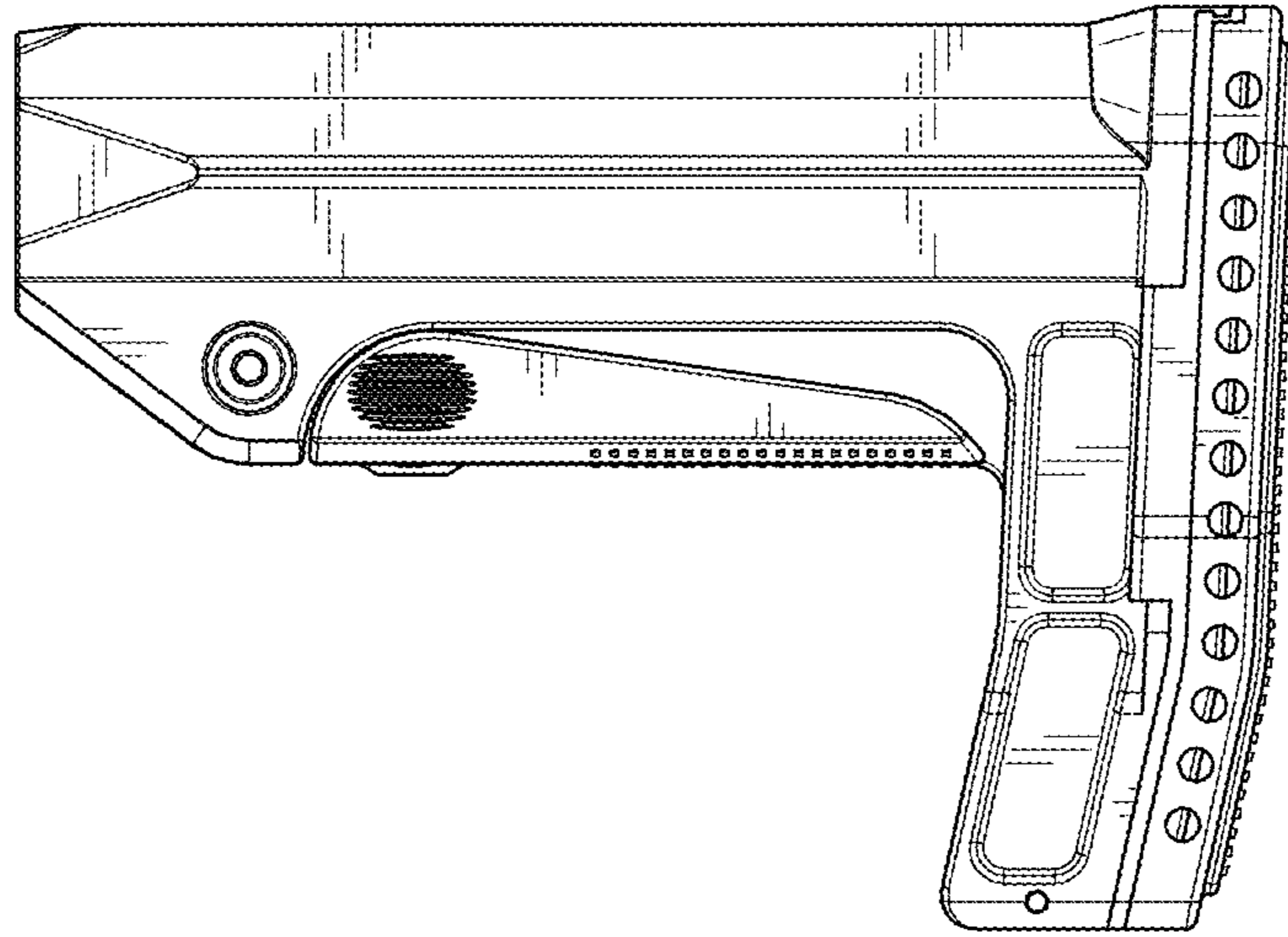


FIG. 2

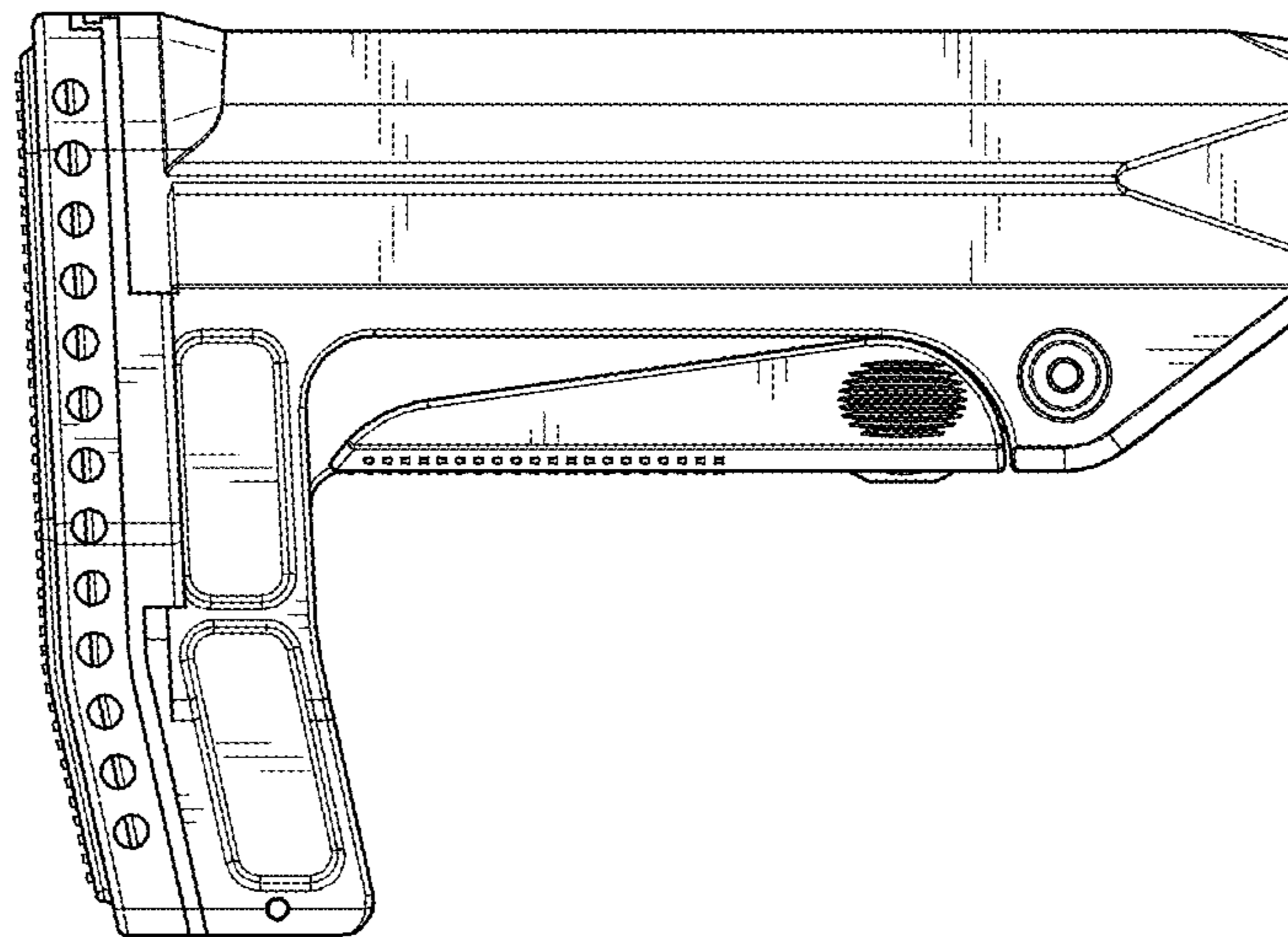


FIG. 3

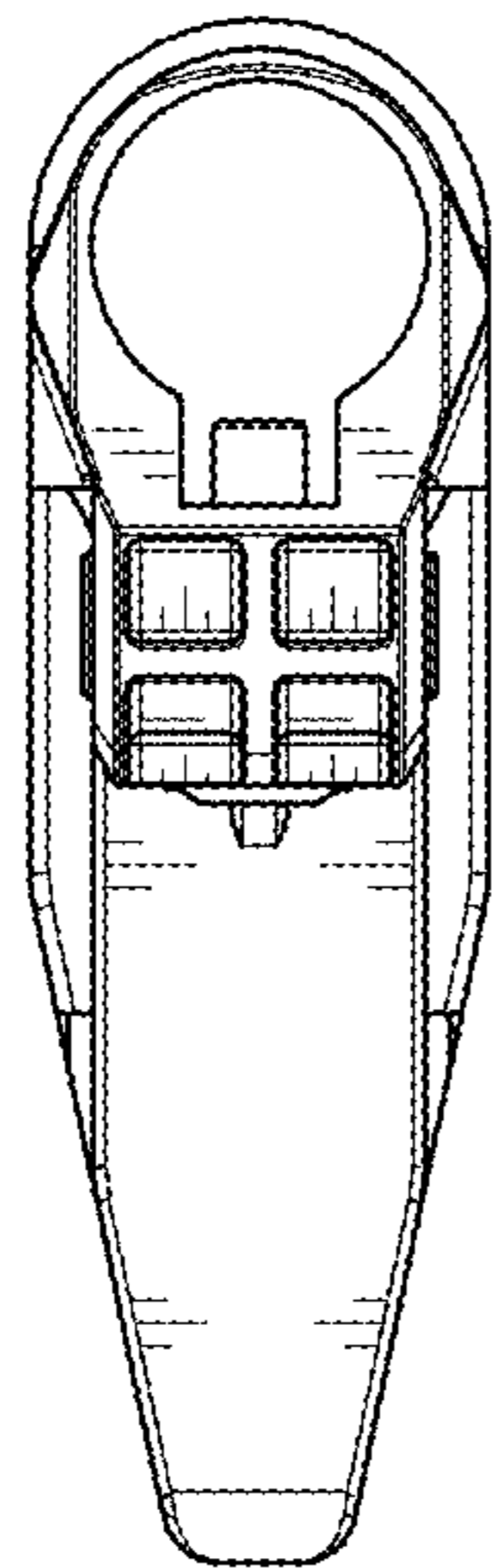


FIG. 4

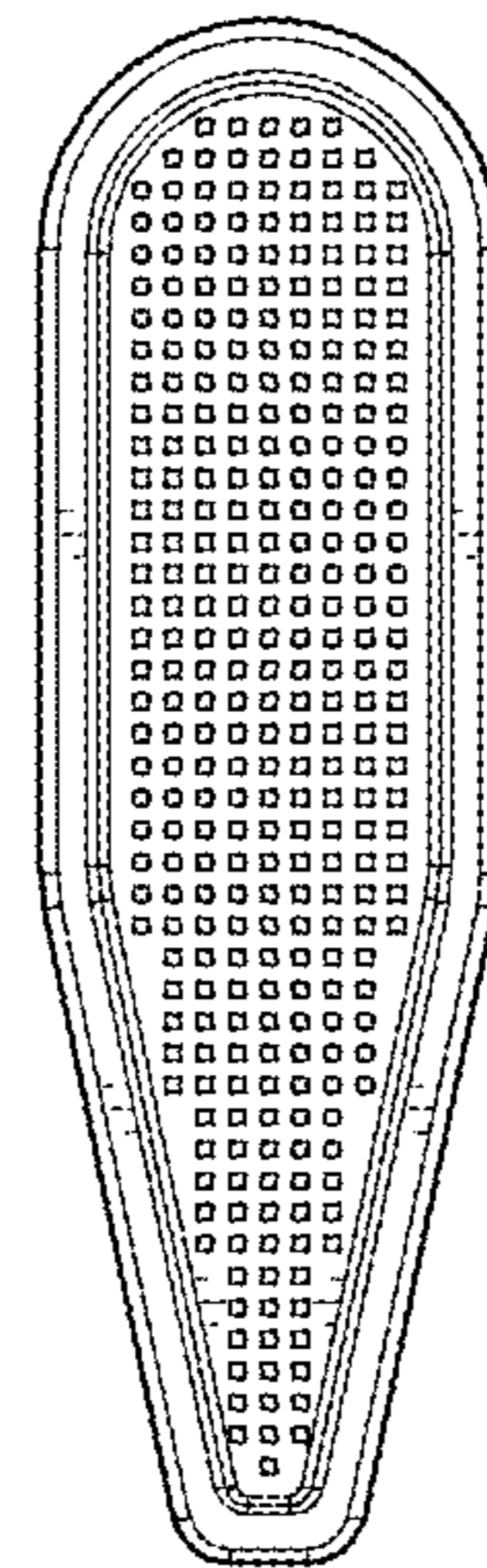


FIG. 5



FIG. 6

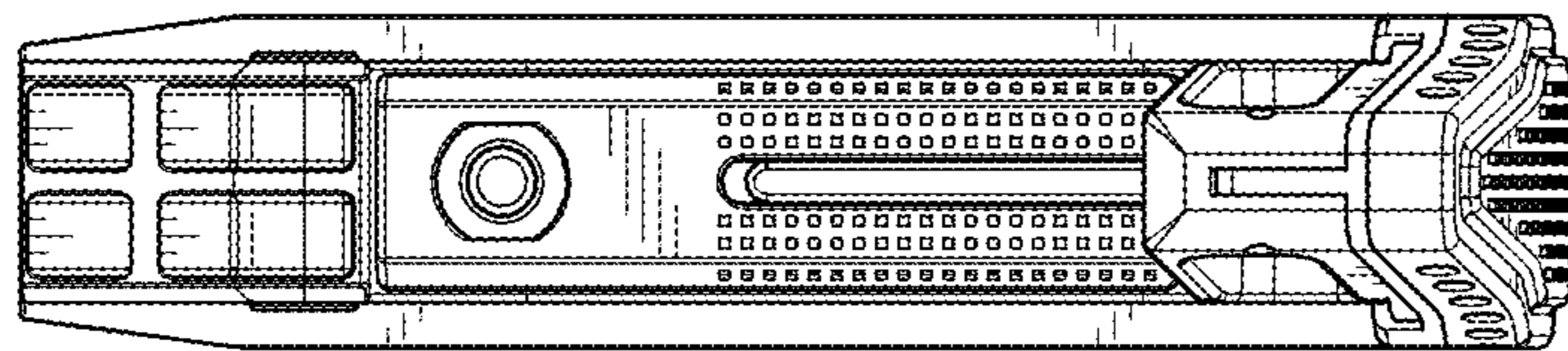


FIG. 7

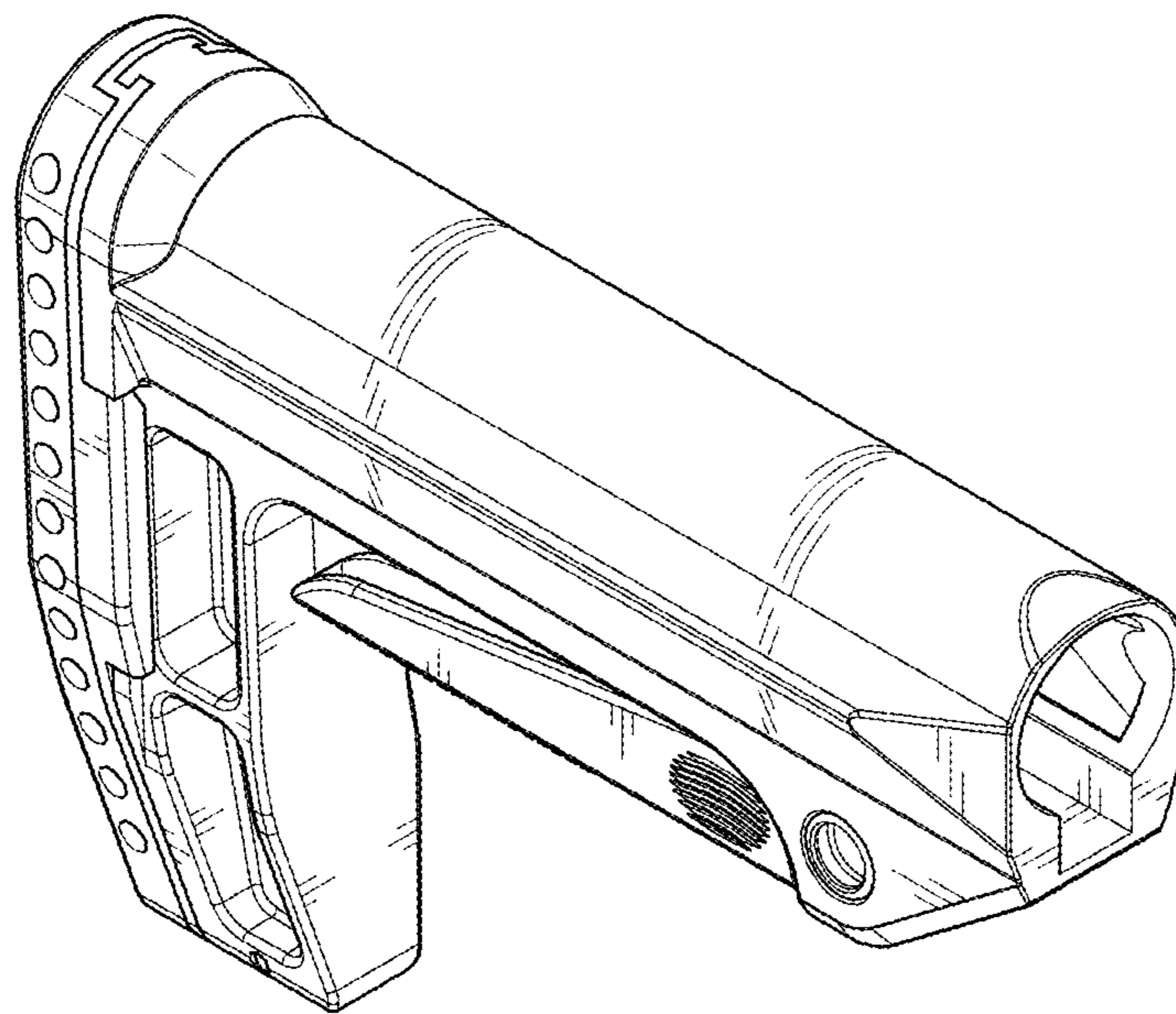


FIG. 8

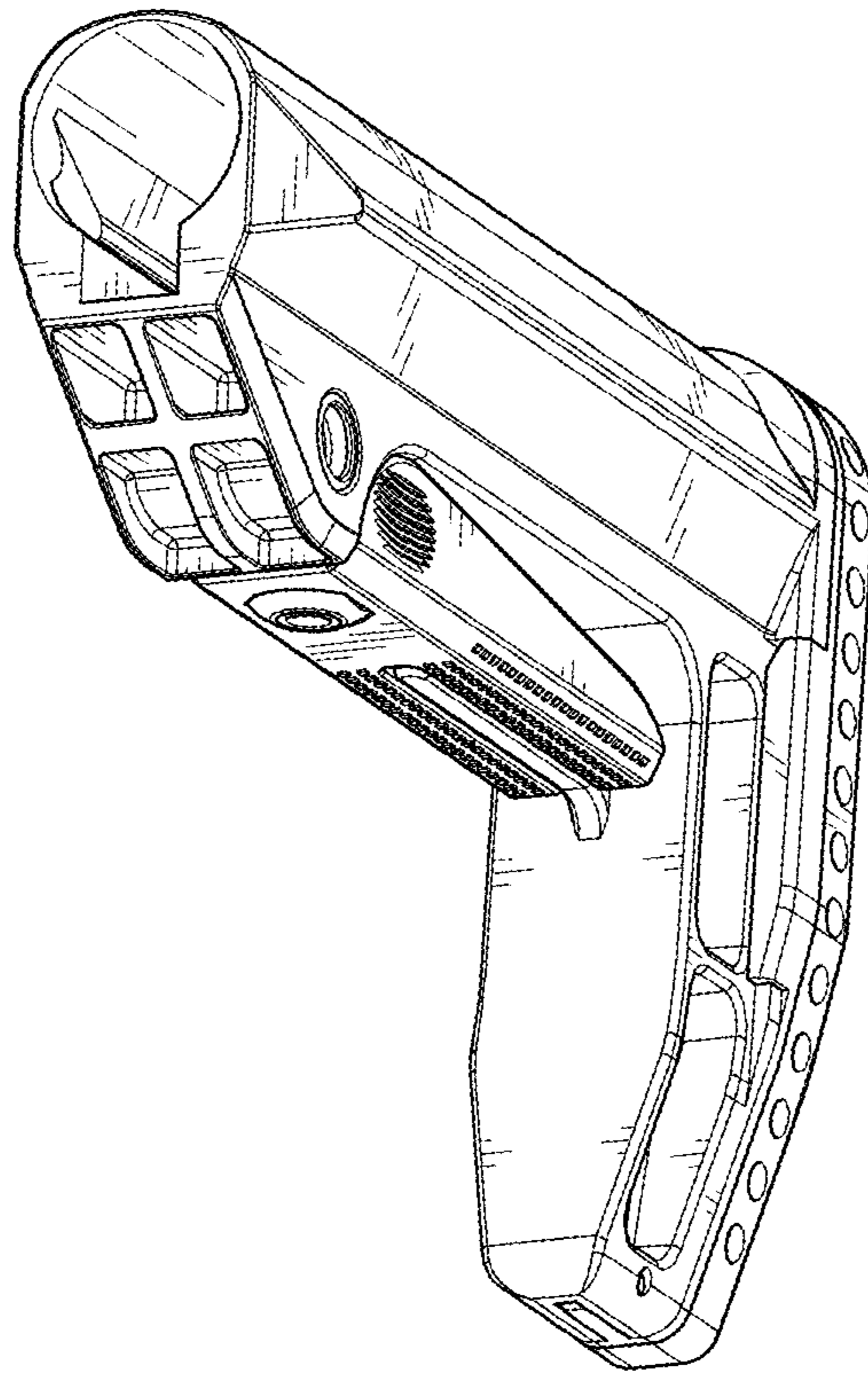


FIG. 9

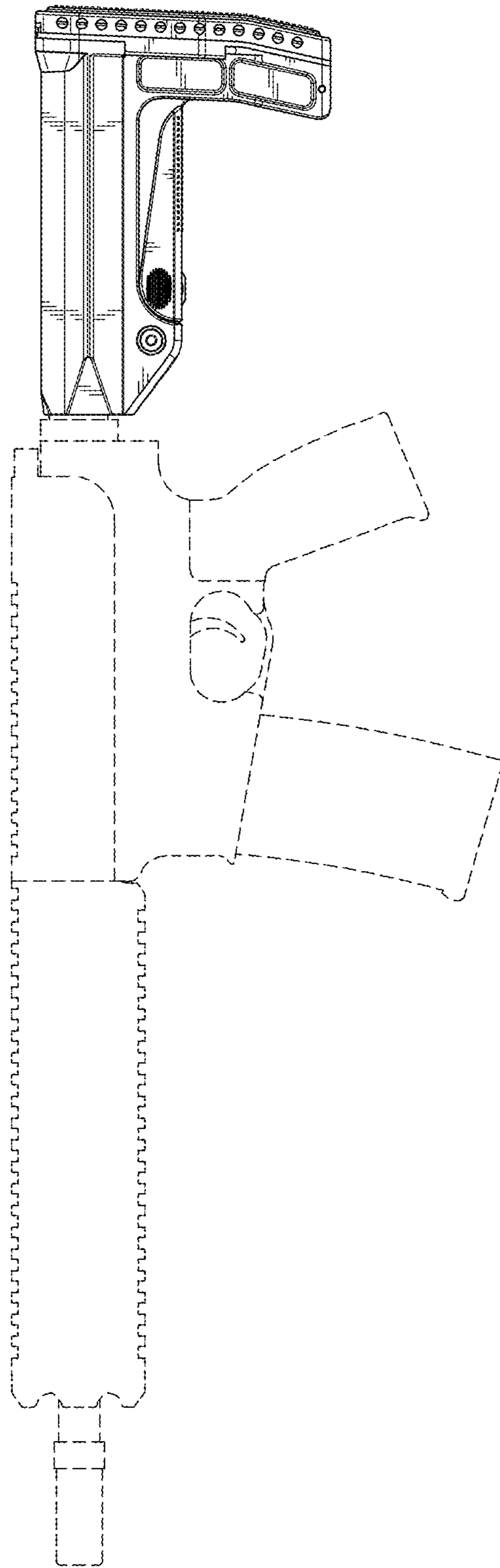


FIG. 10