



US00D899548S

(12) **United States Design Patent** (10) **Patent No.:** **US D899,548 S**  
**Hu** (45) **Date of Patent:** **\*\* Oct. 20, 2020**

(54) **FORESTOCK**  
(71) Applicant: **Shih-Che Hu**, Tainan (TW)  
(72) Inventor: **Shih-Che Hu**, Tainan (TW)  
(\*\*) Term: **15 Years**  
(21) Appl. No.: **29/695,370**  
(22) Filed: **Jun. 18, 2019**

(30) **Foreign Application Priority Data**

May 27, 2019 (TW) ..... 108303136

(51) **LOC (12) Cl.** ..... **22-01**  
(52) **U.S. Cl.**  
USPC ..... **D22/108**  
(58) **Field of Classification Search**  
USPC ..... D22/100, 101, 103, 104, 108, 109, 110,  
D22/111, 115, 116, 199; D21/567, 573,  
D21/574  
CPC ... F41G 1/30; F41G 1/42; F41G 11/00; F41G  
11/001; F41C 7/00; F41C 3/005; F41C  
23/04; F41C 23/10  
See application file for complete search history.

(56) **References Cited**

**U.S. PATENT DOCUMENTS**

7,216,451 B1 \* 5/2007 Troy ..... F41G 11/003  
42/72  
D607,958 S \* 1/2010 Swan ..... D22/108  
D613,811 S \* 4/2010 Swan ..... D22/108  
D616,520 S \* 5/2010 Starnes ..... D22/108  
D616,521 S \* 5/2010 Starnes ..... D22/108  
D674,859 S \* 1/2013 Robbins ..... D22/108  
8,479,429 B2 \* 7/2013 Barrett ..... F41A 3/26  
42/75.02  
8,607,490 B1 \* 12/2013 Zinsner ..... F41C 23/16  
42/71.01  
D702,792 S \* 4/2014 Burt ..... D22/103  
D703,286 S \* 4/2014 Chen ..... D22/108  
D709,582 S \* 7/2014 Geissele ..... D22/108

D717,908 S \* 11/2014 Montes ..... D22/108  
D721,407 S \* 1/2015 Chu ..... D21/574  
9,003,686 B2 \* 4/2015 Brown ..... F41C 23/16  
42/75.01  
D733,246 S \* 6/2015 Wells ..... D22/108  
9,157,697 B2 \* 10/2015 Leclair ..... F41C 23/16  
D752,171 S \* 3/2016 Chen ..... D22/108  
9,297,609 B2 \* 3/2016 Burt ..... F41C 23/16

(Continued)

**OTHER PUBLICATIONS**

“Disassembly of the HK MR556A1” [online]. Military Arms Channel. [Published on Jul. 16, 2011]. Retrieved from the Internet: <[https://www.youtube.com/watch?v=Ogj3hx\\_ARRQ](https://www.youtube.com/watch?v=Ogj3hx_ARRQ)>.\*

*Primary Examiner* — Khawaja Anwar  
*Assistant Examiner* — Mojtaba Tehrani  
(74) *Attorney, Agent, or Firm* — Raymond Y. Chan;  
David and Raymond Patent Firm

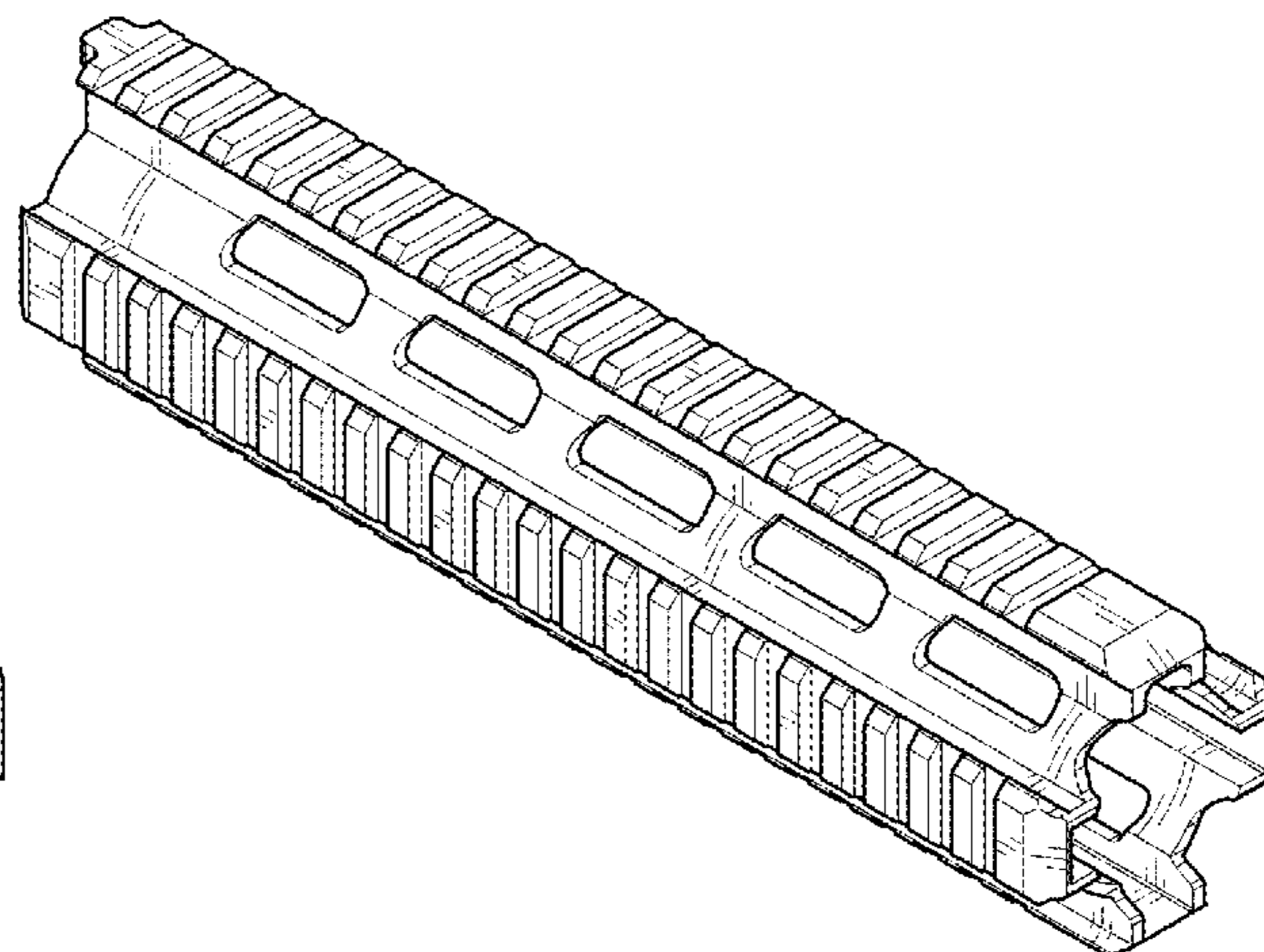
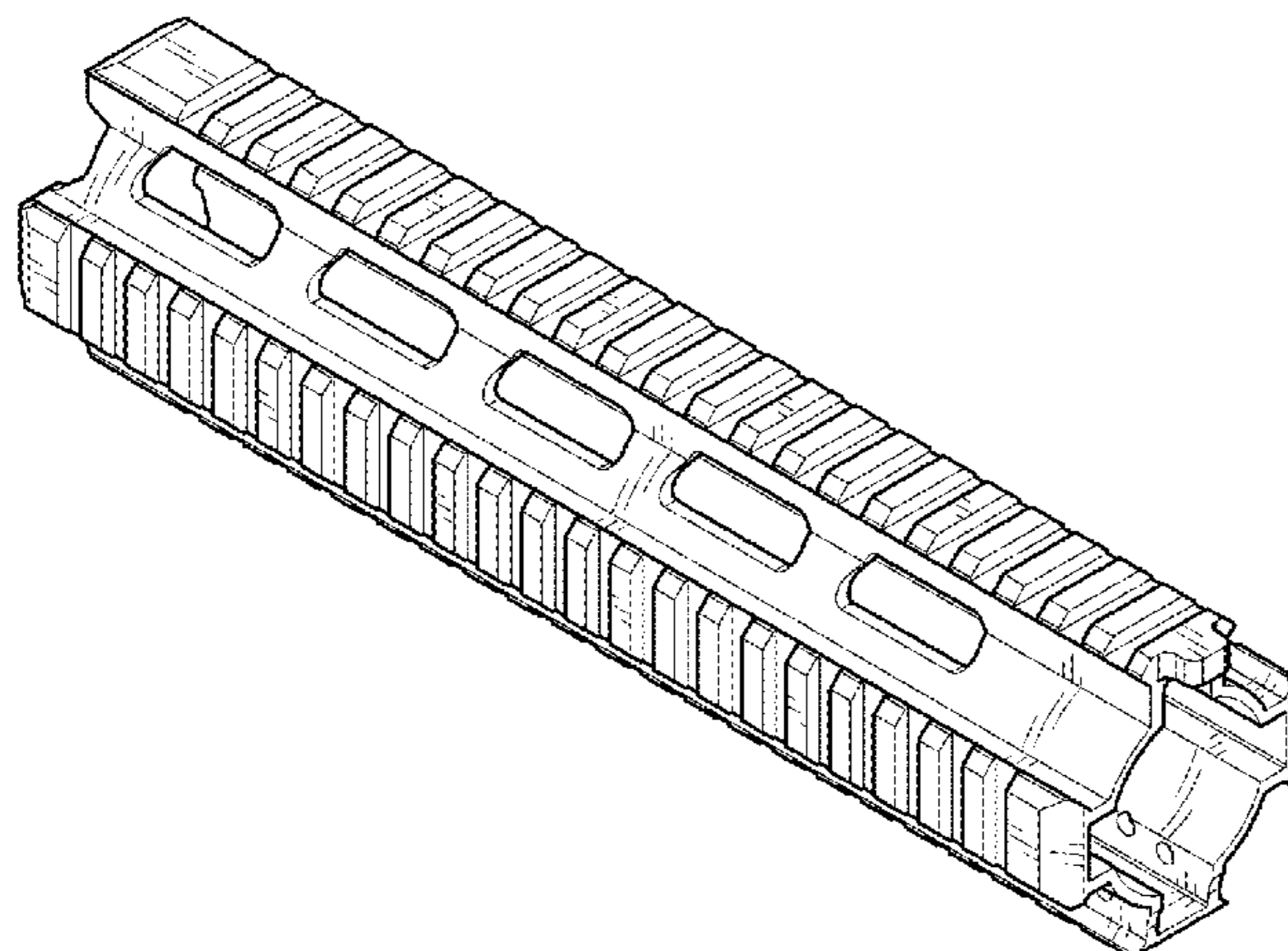
(57) **CLAIM**

The ornamental design for a forestock, as shown and described.

**DESCRIPTION**

FIG. 1 is a front perspective view of forestock showing my new design;  
FIG. 2 is a front view thereof;  
FIG. 3 is a rear view thereof;  
FIG. 4 is a left end view thereof;  
FIG. 5 is a right end view thereof;  
FIG. 6 is a top view thereof;  
FIG. 7 is a bottom view thereof;  
FIG. 8 is a rear perspective view thereof; and,  
FIG. 9 is a referential operational and referential front side view of the forestock with a gun body, wherein the broken lines in the drawing is for illustrative purpose only and shows the portion that forms no part of the design to be claimed.

**1 Claim, 6 Drawing Sheets**



(56)

**References Cited**

## U.S. PATENT DOCUMENTS

9,464,866 B1 \* 10/2016 Liang ..... F41C 23/16  
D770,590 S \* 11/2016 Sui ..... D22/108  
D779,013 S \* 2/2017 Cheng ..... D22/106  
D783,760 S \* 4/2017 Pavlick ..... D22/108  
D783,761 S \* 4/2017 Pavlick ..... D22/108  
D785,743 S \* 5/2017 Pavlick ..... D22/108  
D787,003 S \* 5/2017 Spector ..... D22/108  
D787,004 S \* 5/2017 Spector ..... D22/108  
9,658,020 B2 \* 5/2017 Daniel ..... F41A 21/485  
D790,029 S \* 6/2017 Geissele ..... D22/108  
D795,986 S \* 8/2017 Frederickson ..... D22/108  
D797,232 S \* 9/2017 Gibbens ..... D22/108  
D827,082 S \* 8/2018 Dubois ..... D22/108  
D827,759 S \* 9/2018 Jen ..... D22/108  
D834,113 S \* 11/2018 Chu ..... D21/574  
10,145,648 B1 \* 12/2018 Holder ..... F41C 23/16  
D844,094 S \* 3/2019 Geissele ..... D22/108  
D884,820 S \* 5/2020 Chin ..... D22/109  
2011/0000119 A1 \* 1/2011 Desomma ..... F41G 11/003  
42/75.02  
2012/0317859 A1 \* 12/2012 Brown ..... F41A 3/66  
42/71.01  
2013/0180151 A1 \* 7/2013 Moore ..... F41C 27/00  
42/90  
2014/0026459 A1 \* 1/2014 Yan ..... F41C 23/16  
42/71.01  
2014/0115938 A1 \* 5/2014 Jarboe ..... F41C 23/16  
42/71.01  
2014/0130390 A1 \* 5/2014 Geissele ..... F41C 23/16  
42/71.01

\* cited by examiner

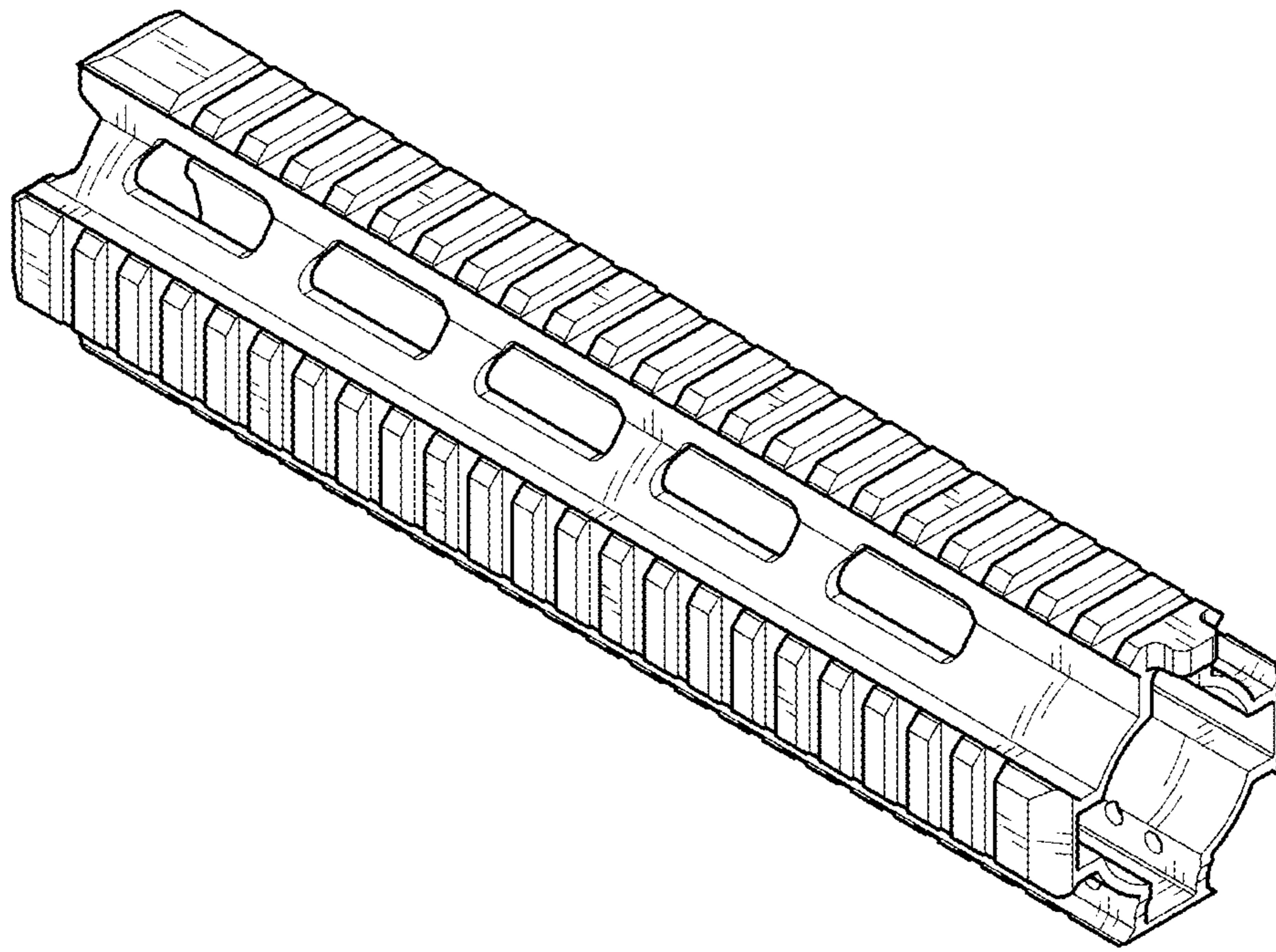


FIG. 1



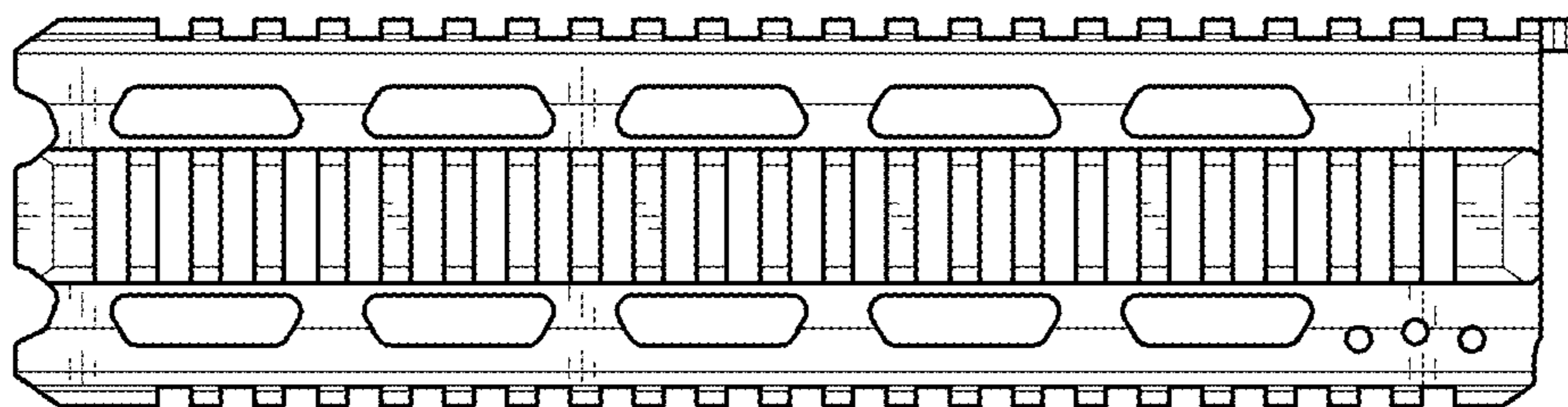


FIG. 2

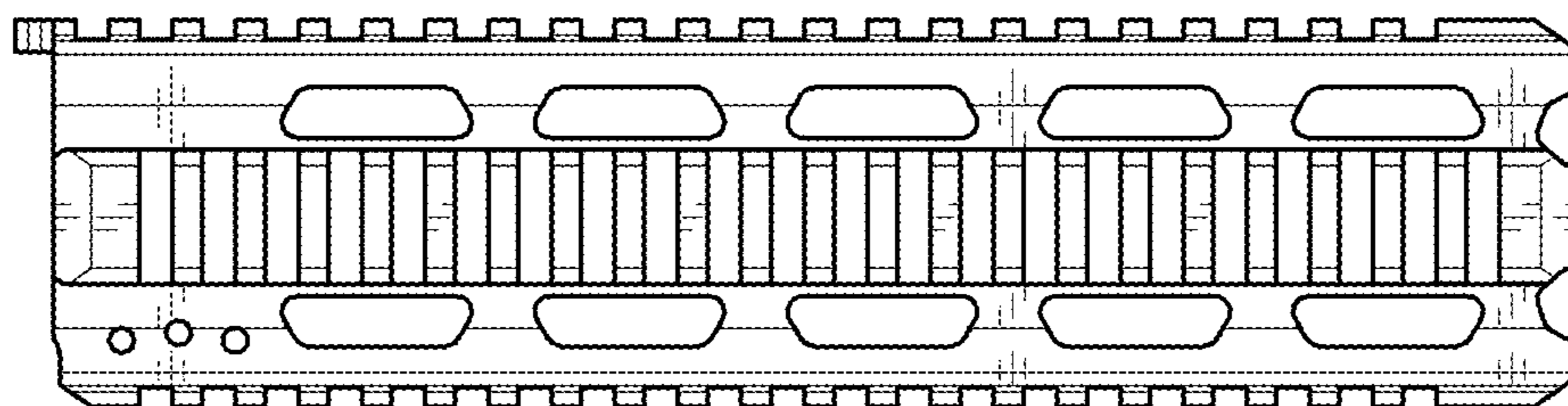


FIG. 3

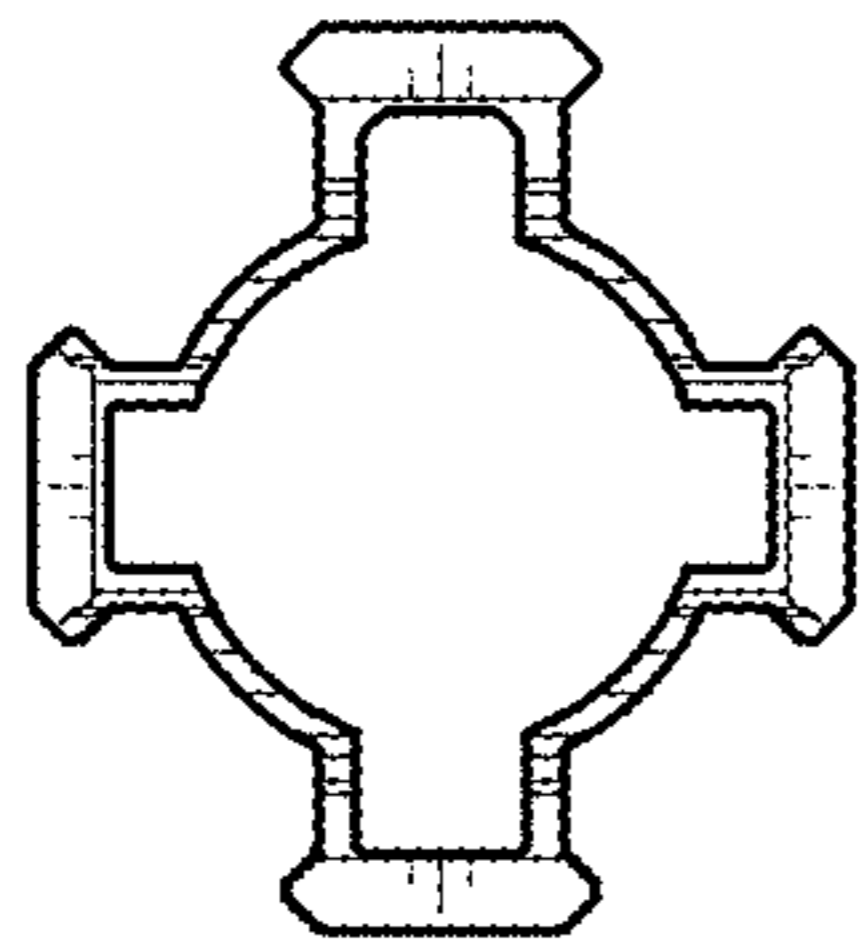


FIG. 4

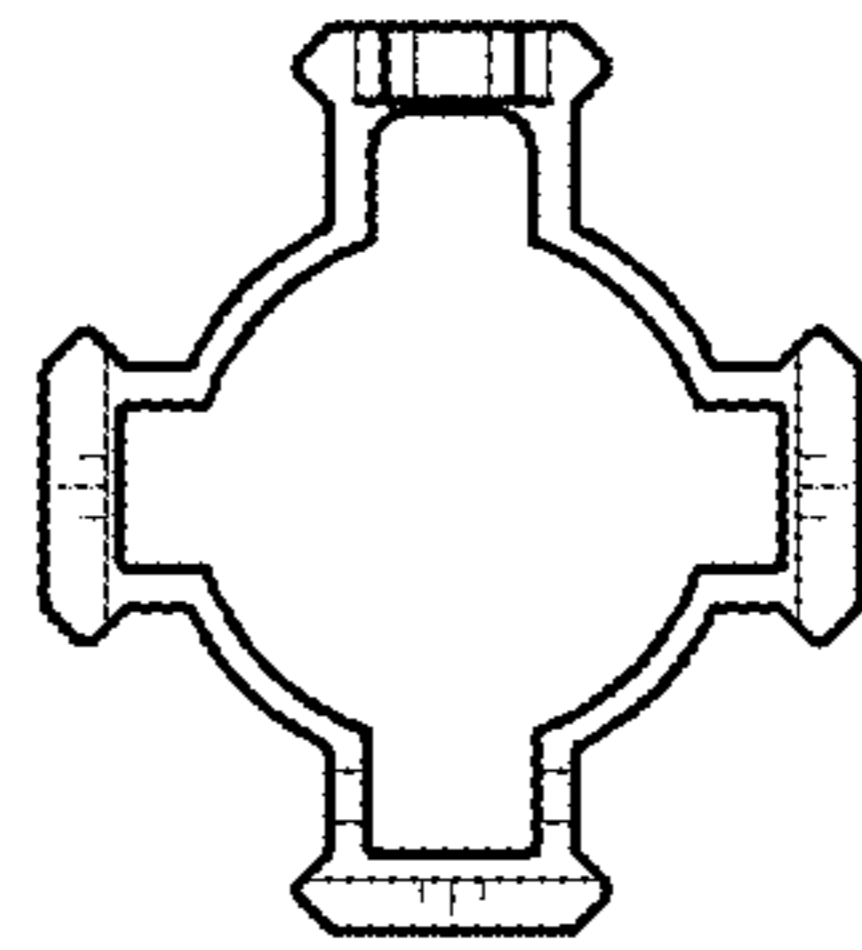


FIG. 5

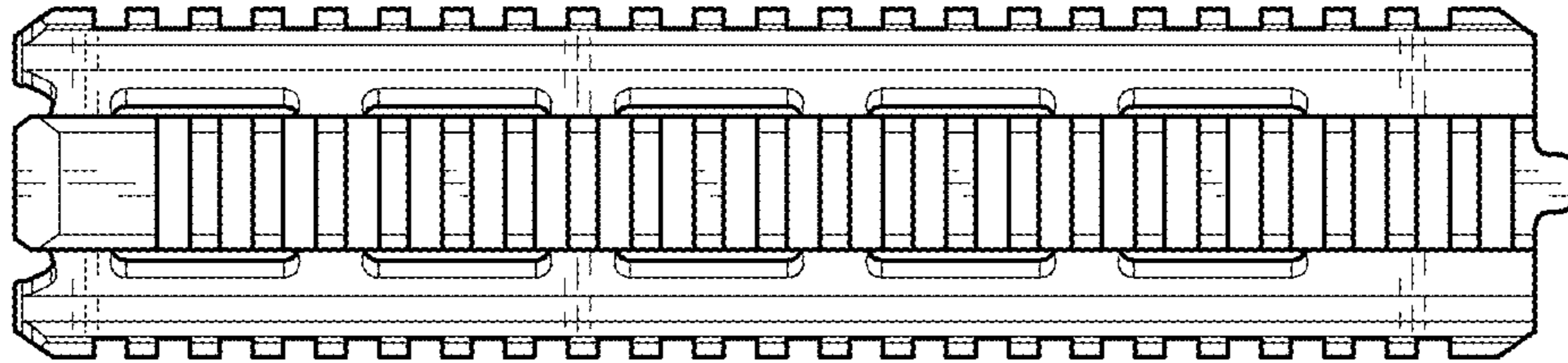


FIG. 6

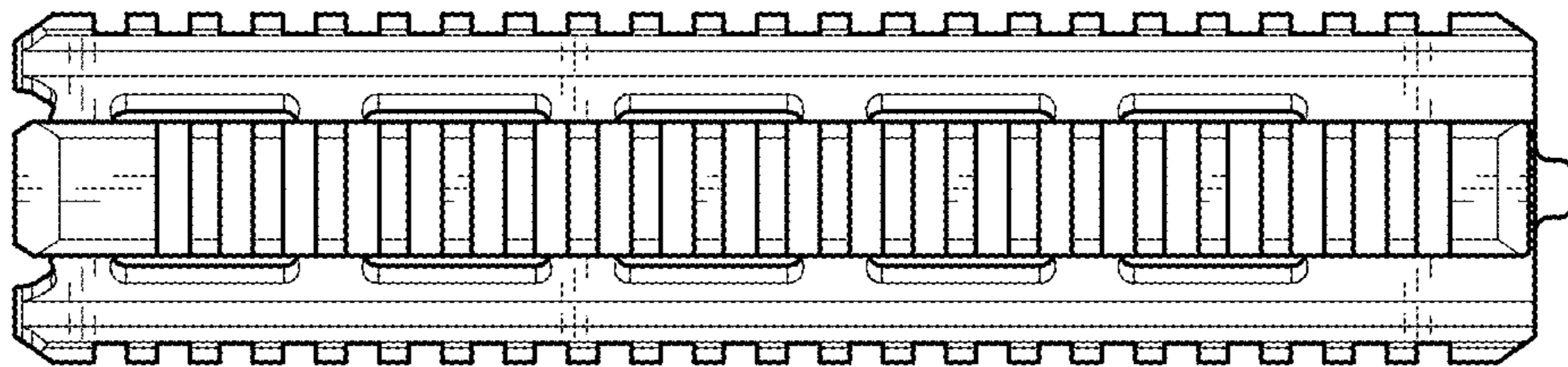


FIG. 7

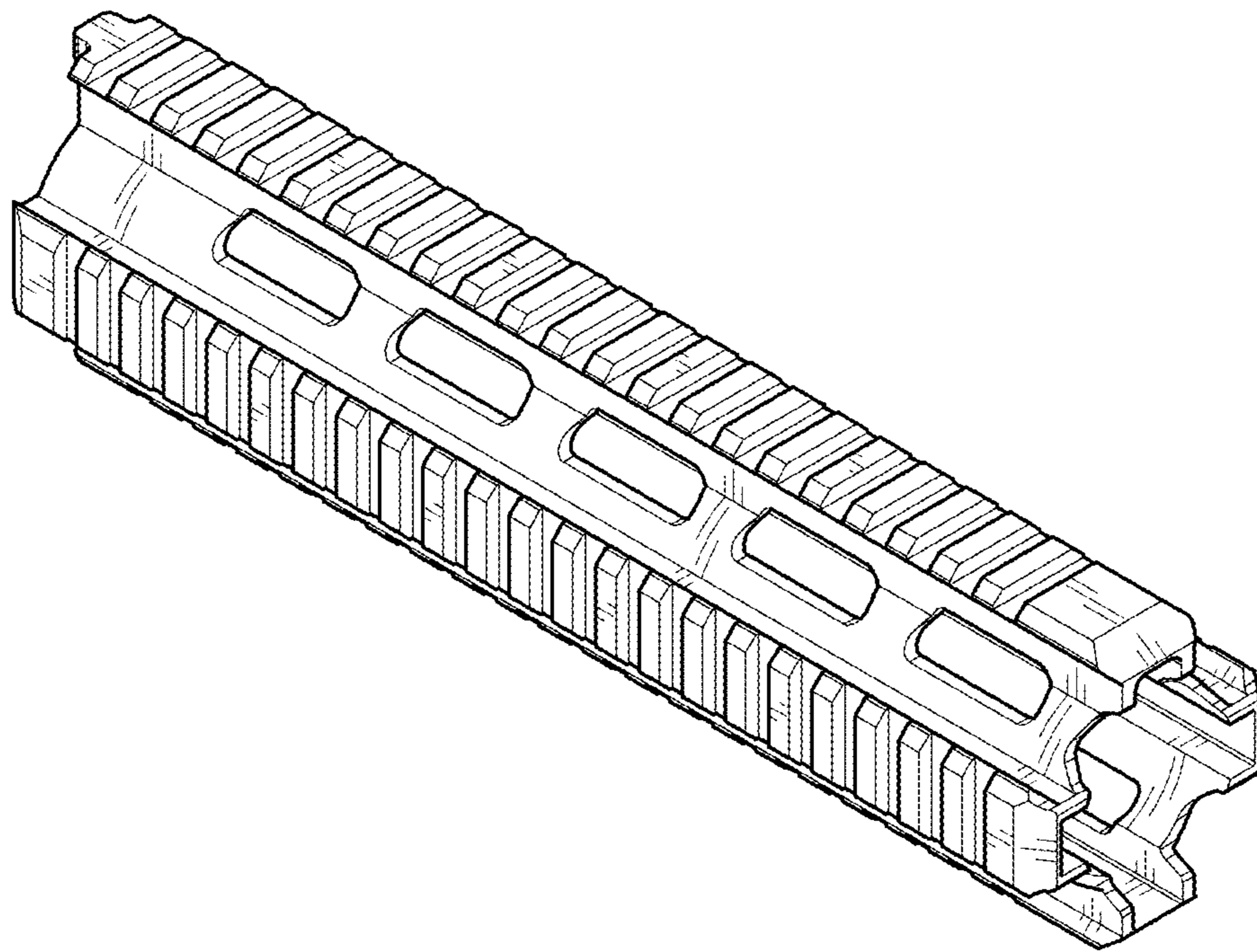


FIG. 8

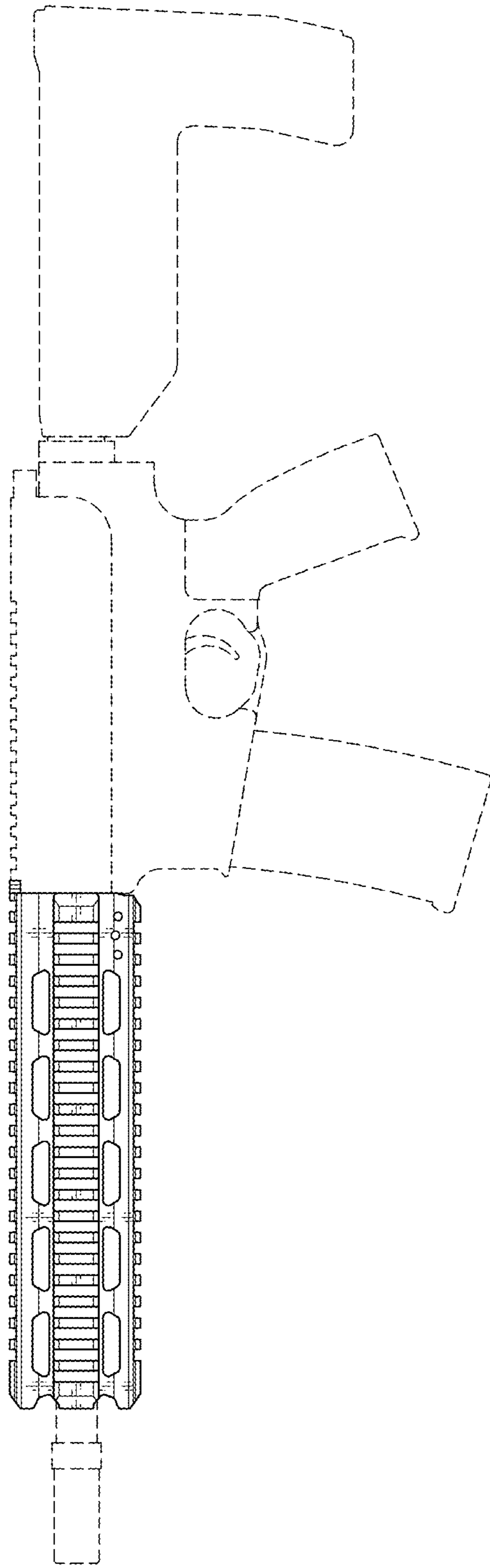


FIG. 9