

US00D899544S

(12) **United States Design Patent** (10) **Patent No.:** **US D899,544 S**
Li (45) **Date of Patent:** **** Oct. 20, 2020**

(54) **BOXING SPEED BALL**
(71) Applicant: **Jiangwei Li**, Jinhua (CN)
(72) Inventor: **Jiangwei Li**, Jinhua (CN)
(**) Term: **15 Years**
(21) Appl. No.: **29/737,989**
(22) Filed: **Jun. 12, 2020**
(51) **LOC (12) Cl.** **21-02**
(52) **U.S. Cl.**
USPC **D21/787**
(58) **Field of Classification Search**
USPC D21/715, 717, 719, 722, 787, 798, 662,
D21/686, 688, 689, 691, 692, 693, 694;
D6/329, 672, 673, 677, 677.5, 680, 680.2,
D6/680.3, 681, 681.2, 681.3, 682, 682.5,
D6/708, 708.17, 708.2, 708.22, 708.23,
D6/709.21, 710, 712, 552; D11/181, 182;
D25/126, 131; D10/113.2, 113.3, 114.6,
D10/121; D20/41; 482/83, 85-87, 90;
473/417, 423, 429, 492; 248/519, 523,
248/161, 188.8, 188, 346.03-346.11,
248/346.5, 910
CPC A63B 69/20; A63B 69/203; A63B 69/208;
A63B 69/34; A63B 71/023; A63B
71/028; A63B 2071/026
See application file for complete search history.

(56) **References Cited**
U.S. PATENT DOCUMENTS
1,020,367 A * 3/1912 Patterson A63B 69/208
482/85
1,890,696 A * 12/1932 Rosenhahn A63B 69/208
482/90
D113,326 S * 2/1939 Jung D6/680.2
D228,112 S * 8/1973 Fedor D6/708.17
D249,914 S * 10/1978 Cairnes D6/708.23

4,889,067 A * 12/1989 Provence, Jr. E01F 9/688
116/63 C
D334,314 S * 3/1993 Milton D6/708
D385,605 S 10/1997 Ferrara
6,286,804 B1 * 9/2001 Avinger A47G 33/12
248/519
D483,828 S * 12/2003 Perez D21/787
RE39,372 E * 11/2006 Kuo D21/787
7,614,600 B1 * 11/2009 Smith G09F 23/00
135/16
7,766,799 B1 * 8/2010 Chen A63B 69/208
482/85
D816,788 S 5/2018 Chen
2009/0247374 A1 * 10/2009 Chen A63B 69/24
482/89

(Continued)

FOREIGN PATENT DOCUMENTS

CA 2297302 A1 * 8/2000 A63B 71/023
CN 302044851 * 8/2012
(Continued)

Primary Examiner — Catherine A Tuttle
(74) *Attorney, Agent, or Firm* — Epsom IP (Nelson IP)

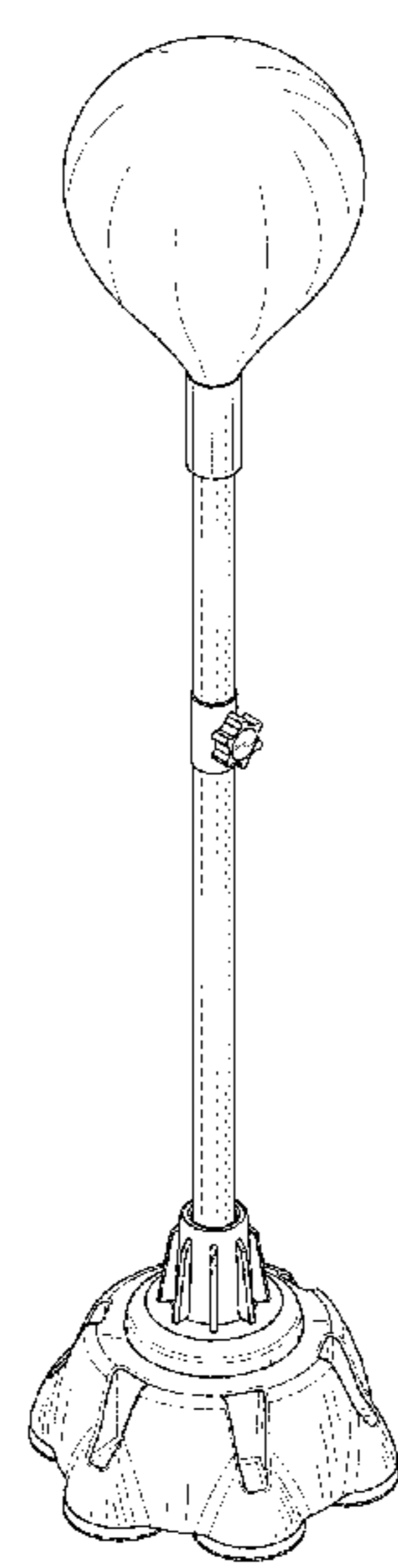
(57) **CLAIM**

The ornamental design for a boxing speed ball, as shown and described.

DESCRIPTION

FIG. 1 is a perspective view of a boxing speed ball showing my new design;
FIG. 2 is a front view thereof;
FIG. 3 is a rear view thereof;
FIG. 4 is a left side view thereof;
FIG. 5 is a right side view thereof;
FIG. 6 is a top plan view thereof; and,
FIG. 7 is a bottom plan view thereof.
The broken lines in the figures illustrate portions of the boxing speed ball that form no part of the claimed design.

1 Claim, 7 Drawing Sheets



(56)

References Cited

U.S. PATENT DOCUMENTS

2013/0017931 A1* 1/2013 Mechling A63B 69/34
482/83
2013/0085044 A1* 4/2013 Chen A63B 69/20
482/87
2013/0324372 A1* 12/2013 Cuadrado A63B 69/20
482/90
2014/0128226 A1* 5/2014 Chang A63B 69/20
482/83
2015/0182833 A1* 7/2015 Hu A63B 69/208
482/87
2017/0348577 A1* 12/2017 Chen A63B 69/20
2020/0155914 A1* 5/2020 Hu A63B 69/208

FOREIGN PATENT DOCUMENTS

CN 302221633 * 12/2012
CN 304473822 * 1/2018
CN 304700096 * 6/2018
CN 304706279 * 6/2019
CN 305373087 * 10/2019
CN 305373088 * 10/2019
CN 305803243 * 5/2020
WO WO-9009814 A1* 9/1990 A63B 9/00
WO WO-2012083214 A1* 6/2012 A63B 69/203
WO WO-2018000030 A1* 1/2018 A63B 69/38

* cited by examiner

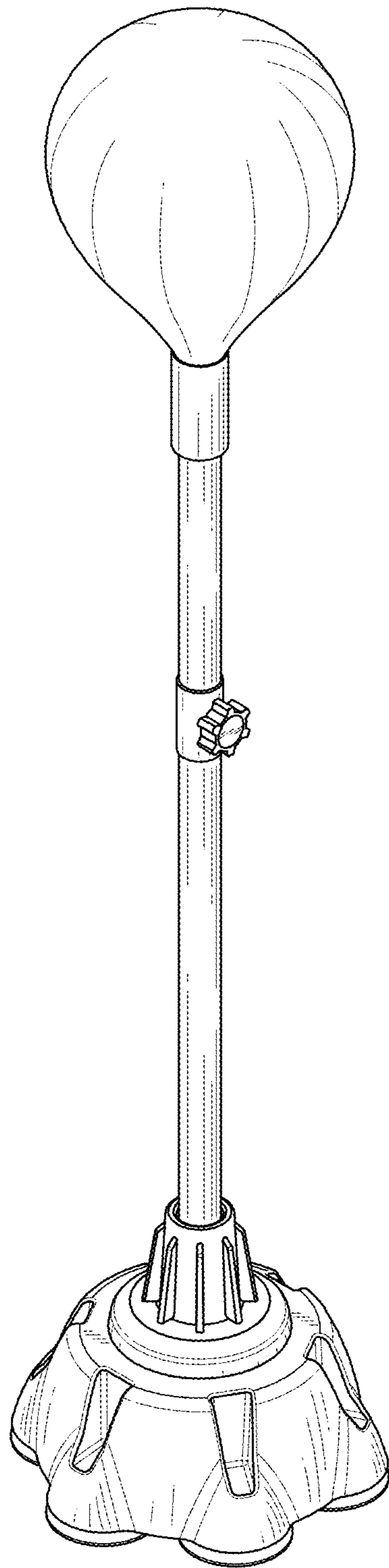


FIG. 1

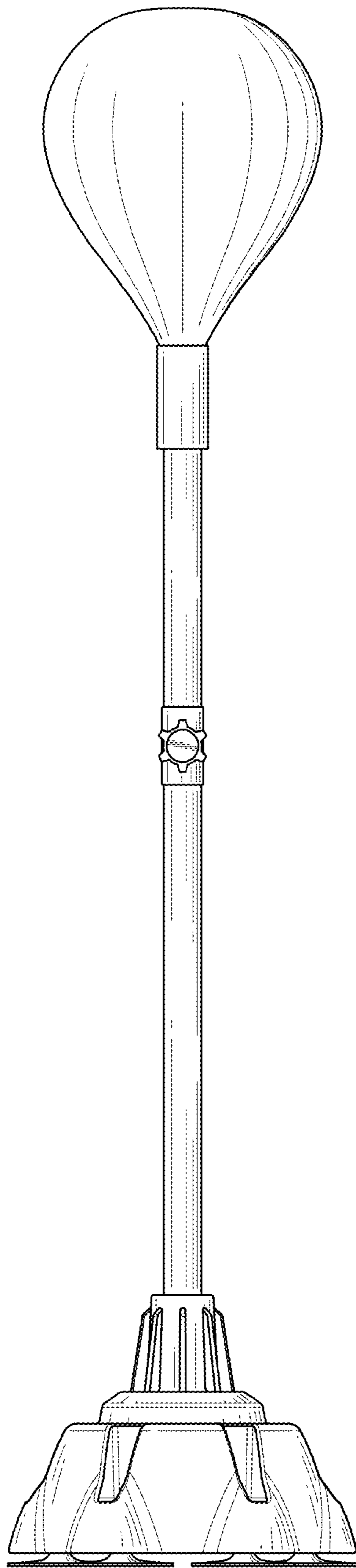


FIG. 2

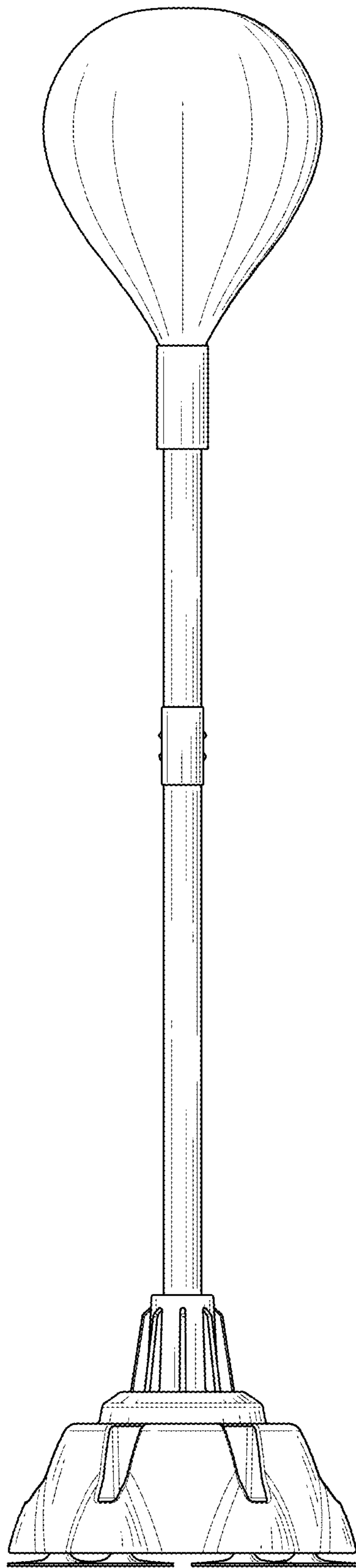


FIG. 3

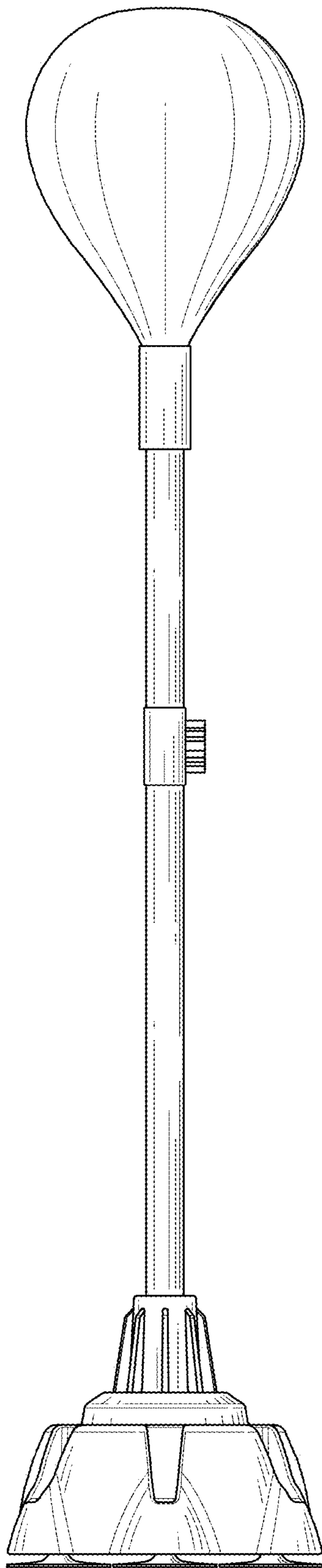


FIG. 4

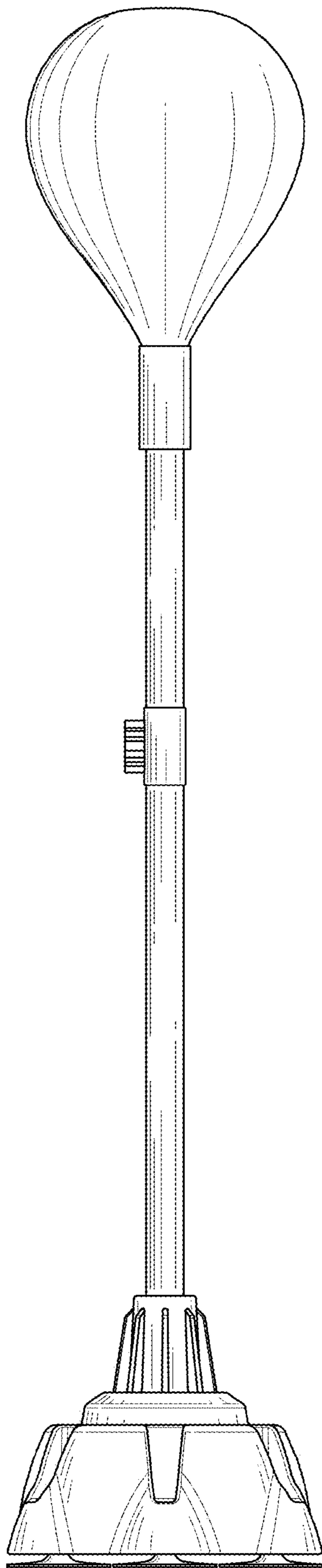


FIG. 5

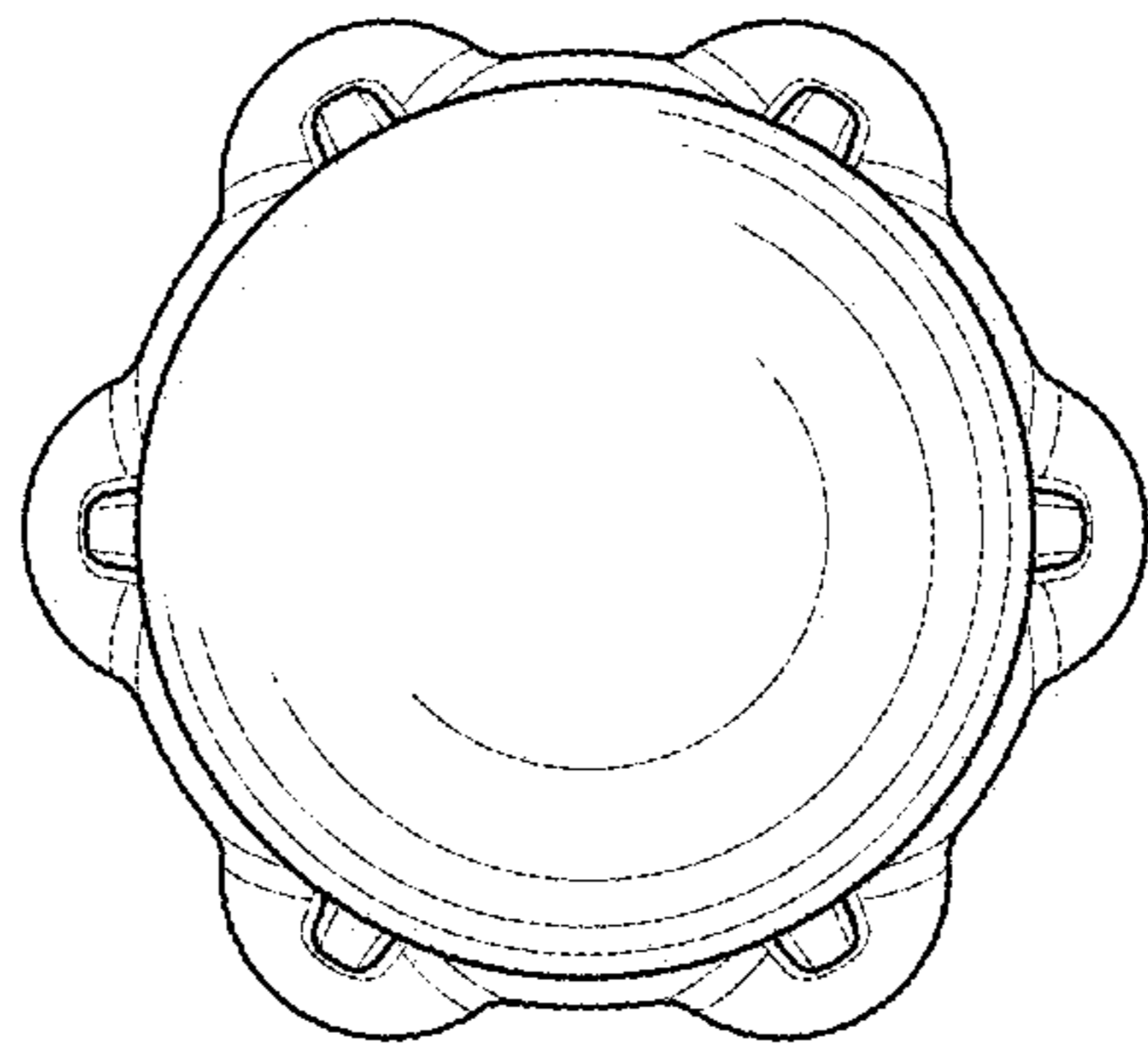


FIG. 6

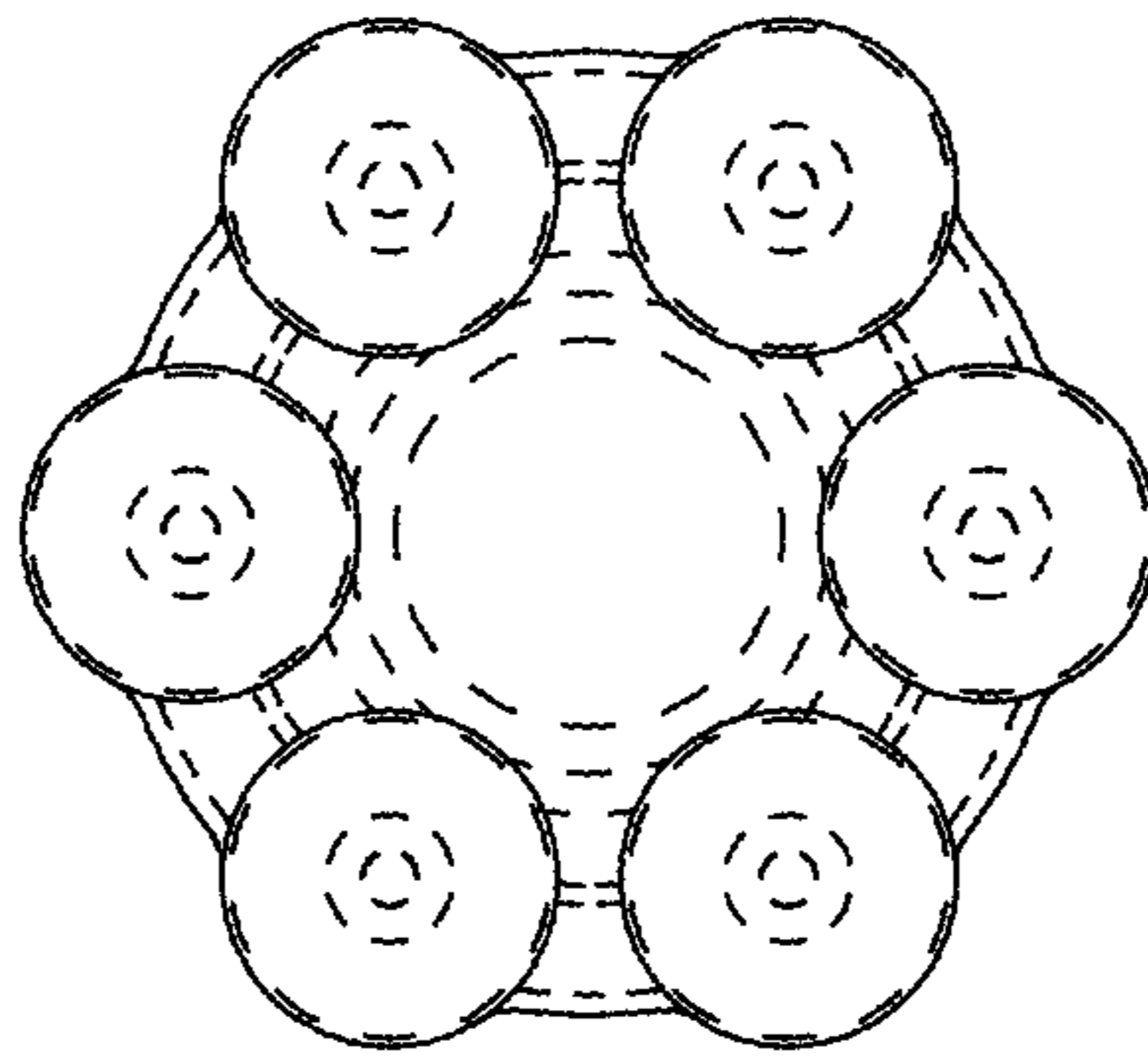


FIG. 7