



US00D899543S

(12) **United States Design Patent**
Desberg

(10) **Patent No.:** **US D899,543 S**
(45) **Date of Patent:** **** Oct. 20, 2020**

- (54) **SKATEBOARD**
- (71) Applicant: **RAZOR USA LLC**, Cerritos, CA (US)
- (72) Inventor: **Ian Desberg**, Cerritos, CA (US)
- (73) Assignee: **RAZOR USA LLC**, Cerritos, CA (US)
- (**) Term: **15 Years**
- (21) Appl. No.: **29/710,767**
- (22) Filed: **Oct. 25, 2019**

3,399,904 A	9/1968	Schinke
3,399,906 A	9/1968	Portnoff
3,771,811 A	11/1973	Bueno
3,982,766 A	9/1976	Budge
D243,206 S	1/1977	Sherwood

(Continued)

FOREIGN PATENT DOCUMENTS

AU	2007214338	3/2007
CA	2596570	10/2007

(Continued)

OTHER PUBLICATIONS

“About: Skateboarding; Other Boardsports”, <http://skateboard.about.com/cs/fringeboarding/gr/?once-true&>; Mar. 2007, in 2 pages.

(Continued)

Primary Examiner — Cynthia M. Chin
(74) *Attorney, Agent, or Firm* — Knobbe, Martens, Olson & Bear, LLP

- Related U.S. Application Data**
- (63) Continuation of application No. 29/661,629, filed on Aug. 29, 2018, now Pat. No. Des. 865,096, which is a continuation of application No. 29/611,372, filed on Jul. 20, 2017, now Pat. No. Des. 827,748, which is a continuation of application No. 29/582,281, filed on Oct. 26, 2016, now Pat. No. Des. 792,931, which is a continuation of application No. 29/525,837, filed on May 4, 2015, now Pat. No. Des. 770,585.
 - (51) **LOC (12) Cl.** **21-02**
 - (52) **U.S. Cl.**
USPC **D21/771**
 - (58) **Field of Classification Search**
USPC D21/419, 421, 423, 426, 760, 765, 766, D21/769, 771, 776, 803
CPC A63C 17/01; A63C 17/011; A63C 17/012; A63C 17/014; A63C 17/015; A63C 17/02; A63C 17/26; A63C 5/003; A63C 3/00; A63B 69/0022; B60Q 1/326; B62K 3/001; B63B 32/50; B63B 32/70
See application file for complete search history.

(57) **CLAIM**

The ornamental design for a skateboard, as shown and described.

DESCRIPTION

FIG. 1 is a front perspective view of a skateboard, which embodies my design.
FIG. 2 is a front view of the skateboard of FIG. 1.
FIG. 3 is a rear view of the skateboard of FIG. 1.
FIG. 4 is a right side view of the skateboard of FIG. 1. The left side view is a mirror image of the right side view.
FIG. 5 is a top view of the skateboard of FIG. 1; and, FIG. 6 is a bottom view of the skateboard of FIG. 1.
Broken lines are used to illustrate portions of the skateboard which form no part of the claimed design.

- (56) **References Cited**
U.S. PATENT DOCUMENTS
2,051,762 A 8/1936 Vincent
3,288,251 A * 11/1966 Sakwa A63C 17/015
188/29

1 Claim, 5 Drawing Sheets



(56)

References Cited

FOREIGN PATENT DOCUMENTS

U.S. PATENT DOCUMENTS

D785,115 S 4/2017 Ying
 D790,015 S 6/2017 Tan
 9,682,309 B2 6/2017 Huang
 D792,931 S 7/2017 Desberg
 10,022,615 B2 7/2018 Huang
 D827,748 S 9/2018 Desberg
 D829,838 S 10/2018 Huang
 D865,096 S 10/2019 Desberg
 D871,532 S 12/2019 Huang
 10,625,830 B2* 4/2020 Lenchner B63B 32/50
 2002/0043774 A1 4/2002 Chou
 2002/0067015 A1 6/2002 Tierney et al.
 2002/0149166 A1 10/2002 Potter
 2002/0195788 A1 12/2002 Tierney et al.
 2003/0124923 A1 7/2003 Mercer
 2003/0155725 A1 8/2003 Roderick
 2003/0155733 A1 8/2003 Tan et al.
 2004/0021281 A1 2/2004 Stephens
 2004/0144582 A1 7/2004 Baker et al.
 2004/0163867 A1 8/2004 Hillman
 2004/0212160 A1 10/2004 Roderick
 2004/0262872 A1 12/2004 Kang
 2006/0032682 A1 2/2006 Hillman
 2006/0032685 A1 2/2006 Koide
 2006/0038361 A1 2/2006 Sano
 2006/0049595 A1 3/2006 Crigler
 2006/0055135 A1 3/2006 Tracewell et al.
 2006/0055137 A1 3/2006 Jiang
 2006/0163830 A1 7/2006 Kwak
 2007/0001414 A1 1/2007 Kang
 2007/0035102 A1 2/2007 McClain
 2007/0132199 A1 6/2007 Smith
 2007/0252355 A1 11/2007 Chen et al.
 2007/0257459 A1 11/2007 Gang
 2007/0272465 A1 11/2007 Su
 2007/0273118 A1 11/2007 Conrad
 2007/0296164 A1 12/2007 Roderick
 2009/0045598 A1 2/2009 Lee
 2009/0058028 A1 3/2009 Chen
 2009/0270002 A1* 10/2009 Crispin B63B 32/70
 441/74
 2009/0295111 A1 12/2009 O'Rourke
 2010/0225080 A1 9/2010 Smith
 2010/0253027 A1 10/2010 Chen et al.
 2011/0037238 A1 2/2011 Devine
 2011/0187069 A1 8/2011 Marcel
 2012/0187648 A1 7/2012 Chen
 2013/0001910 A1 1/2013 Hsu
 2014/0210175 A1 7/2014 Hsu
 2016/0332062 A1 11/2016 Wu et al.
 2018/0296907 A1 10/2018 Huang
 2019/0176019 A1 6/2019 Huang

CN 101309730 11/2008
 CN 201205442 3/2009
 DE 202008012754 1/2009
 DK 176806 10/2009
 EP 1511541 3/2005
 EP 1679101 7/2006
 GB 2318519 4/1998
 GB 2464676 4/2010
 JP H01-117385 U 8/1989
 JP 10-211313 8/1998
 JP 2000-500369 1/2000
 JP 2001-029663 2/2001
 JP A 2002-502743 1/2002
 JP 2005-537820 12/2005
 JP A 2008-545480 12/2008
 JP A 2015-527908 9/2015
 KR 10 20050060368 6/2005
 KR 200 400 315 Y1 11/2005
 KR 200 410 530 Y1 3/2006
 KR 10-0921839 10/2009
 KR 10-20010110239 12/2011
 SU 1405865 4/1986
 TW 247446 5/1995
 TW 266104 12/1995
 WO WO 1993/01870 A1 2/1993
 WO WO 1997/018865 5/1997
 WO WO 2002/040116 5/2002
 WO WO 2003/092831 11/2003
 WO WO 2004/105901 A1 12/2004
 WO WO 2006/022472 3/2006
 WO WO 2007/102645 9/2007
 WO WO 2007/117092 10/2007
 WO WO 2007/127554 11/2007
 WO WO 2007/139356 12/2007
 WO WO 2009/036074 3/2009
 WO WO 2009/100722 8/2009
 WO WO 2010/019627 2/2010
 WO WO 2014/009760 1/2014
 WO WO 2016/086066 6/2016
 WO WO 2018/195103 10/2018

OTHER PUBLICATIONS

About: Skateboarding; The Wave <http://skateboard.about.com/cs/fringeboarding/gr/XBoard.html>; Jan. 2007, in 2 pages.
 Micelle' Electric Wave Board [XinCheJian], URL—<http://xinchejian.com/2011/05/07/micelles-electric-wave-board/>; May 2011, in 6 pages.
 The Wave, Streetsurfing, <http://www.streetsurfing.com/wave/skating.html>; Mar. 2007, in 2 pages.

* cited by examiner

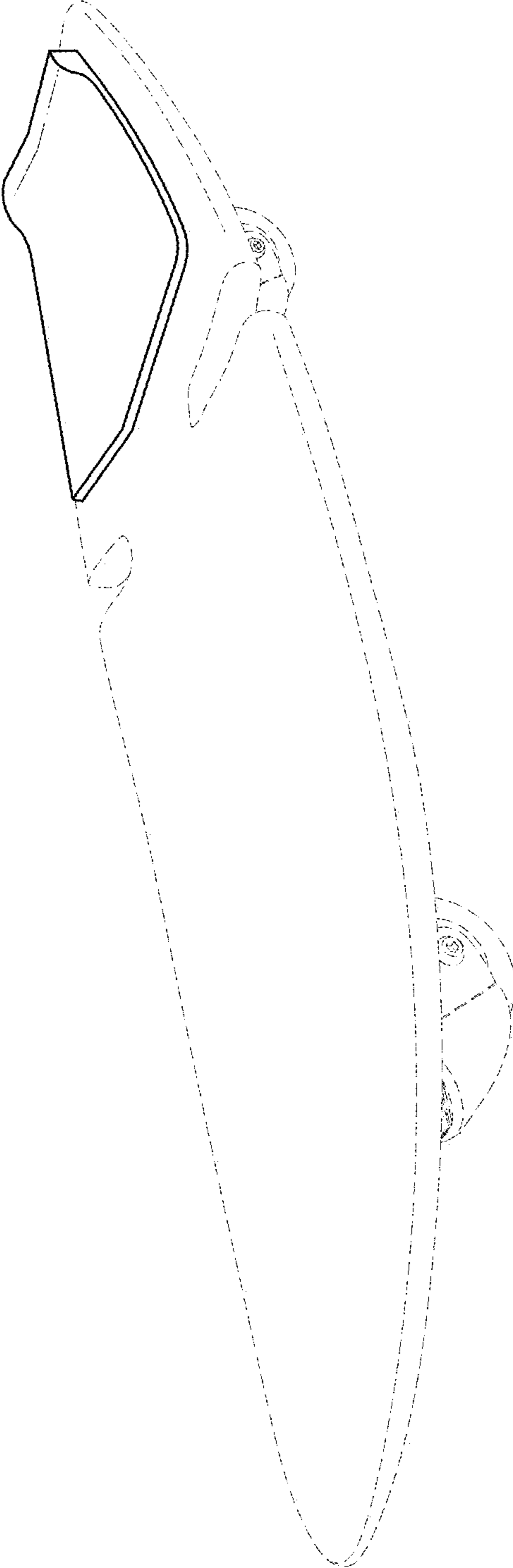


FIG. 1

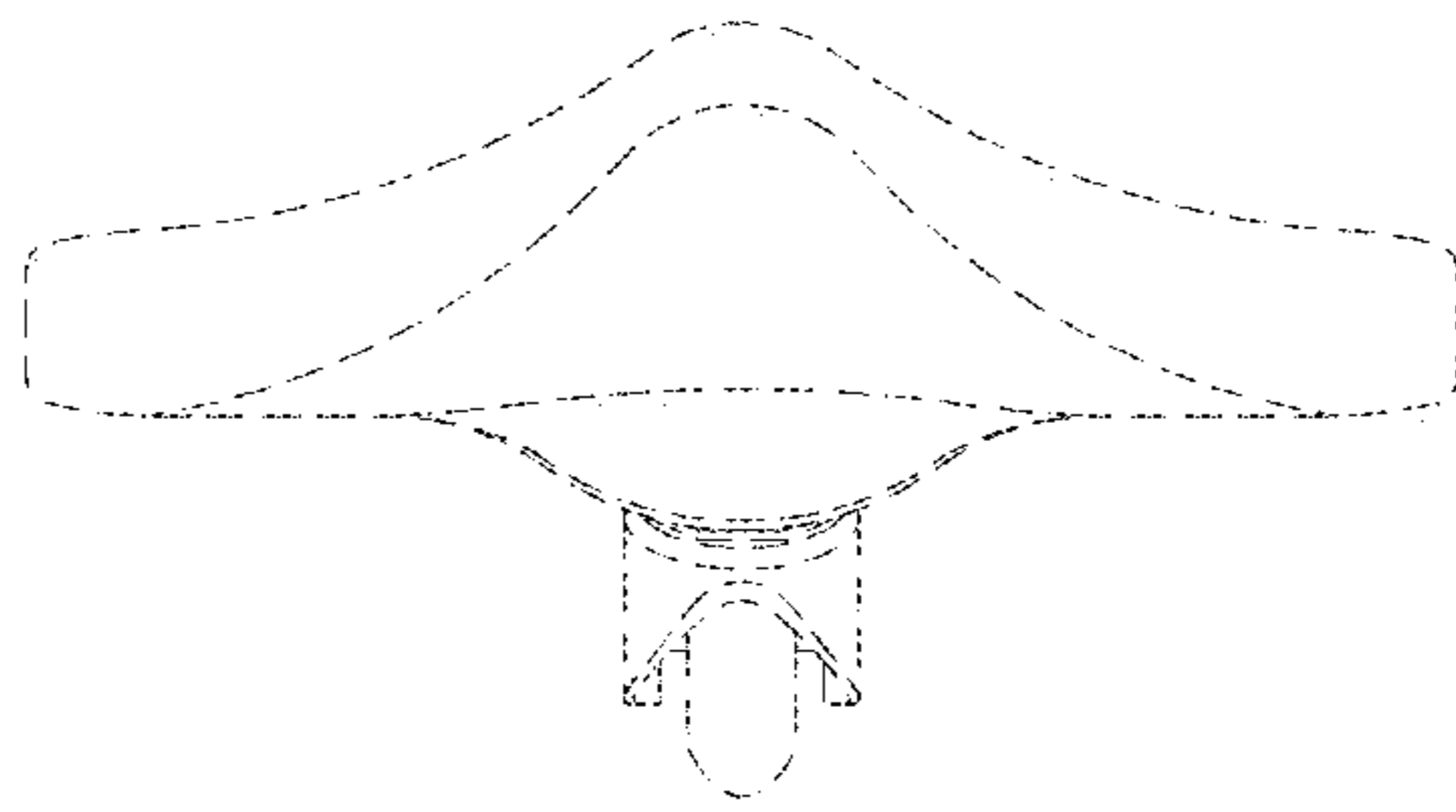


FIG. 2

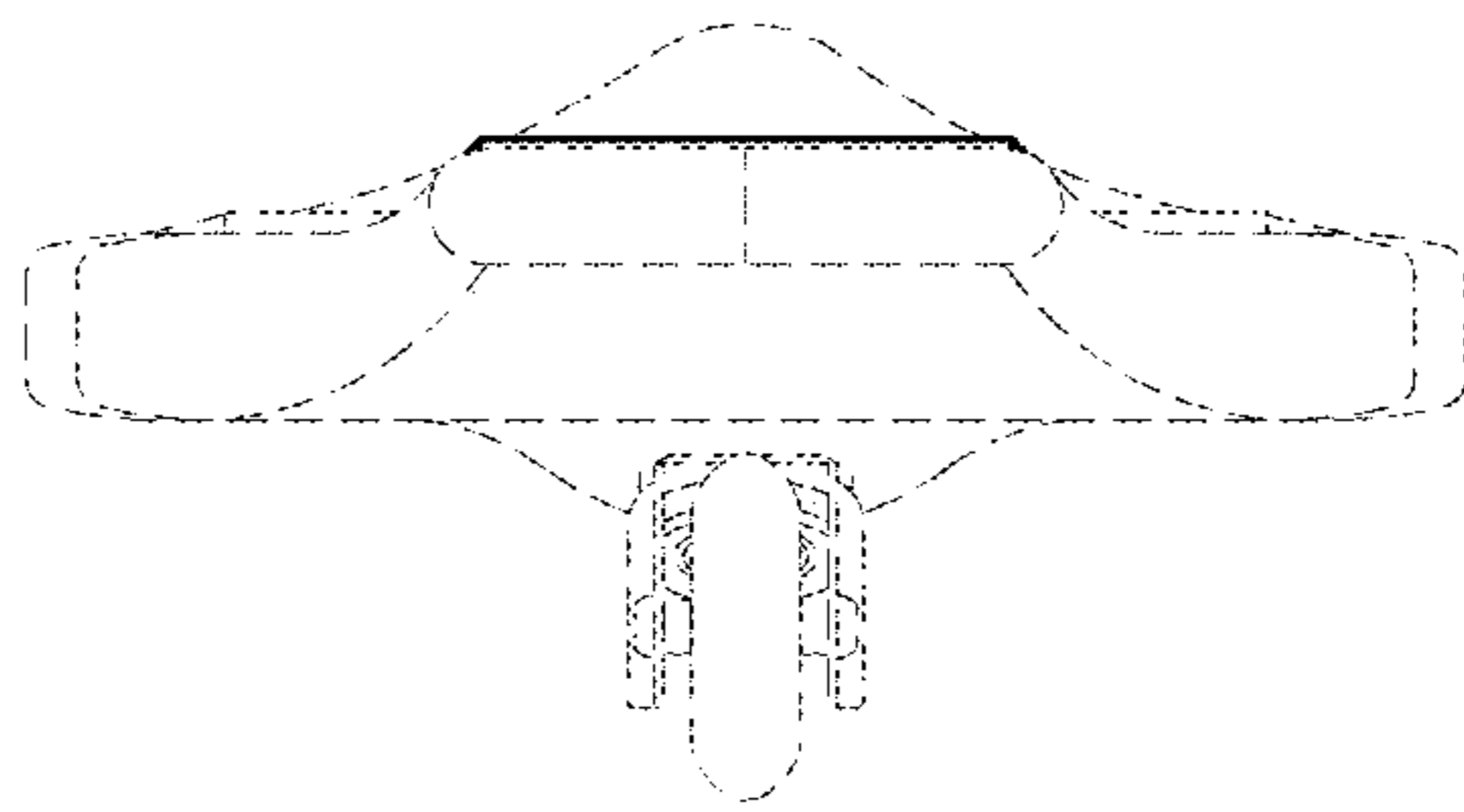


FIG. 3

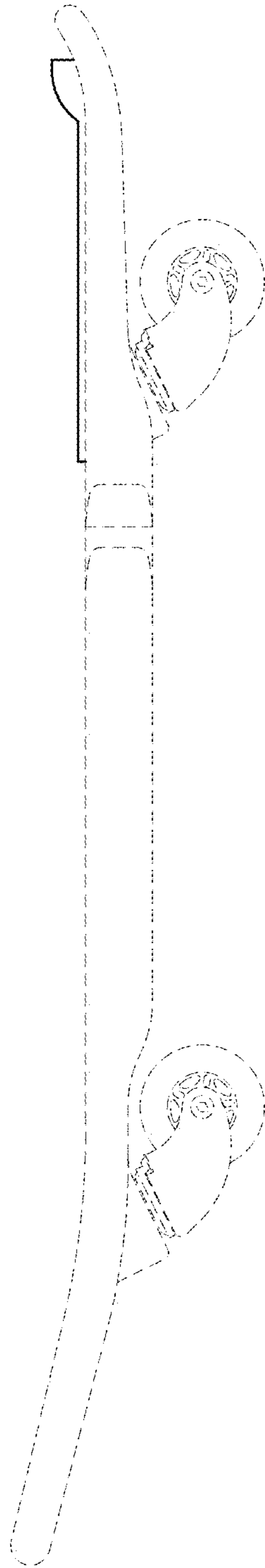


FIG. 4

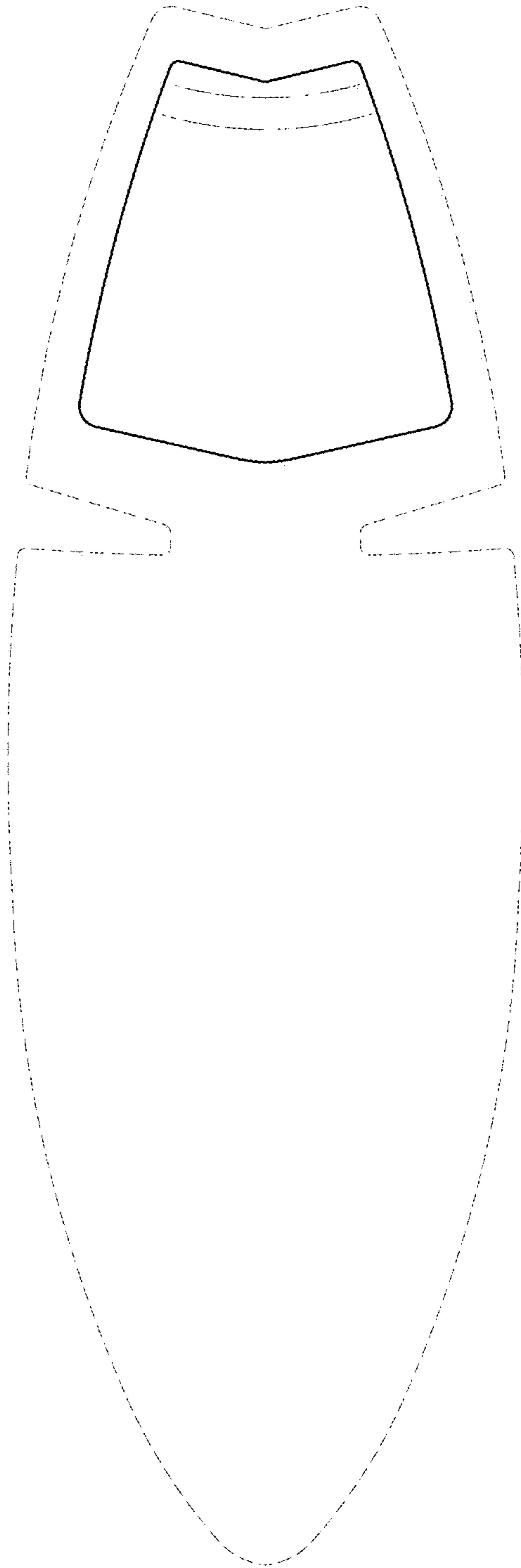


FIG. 5

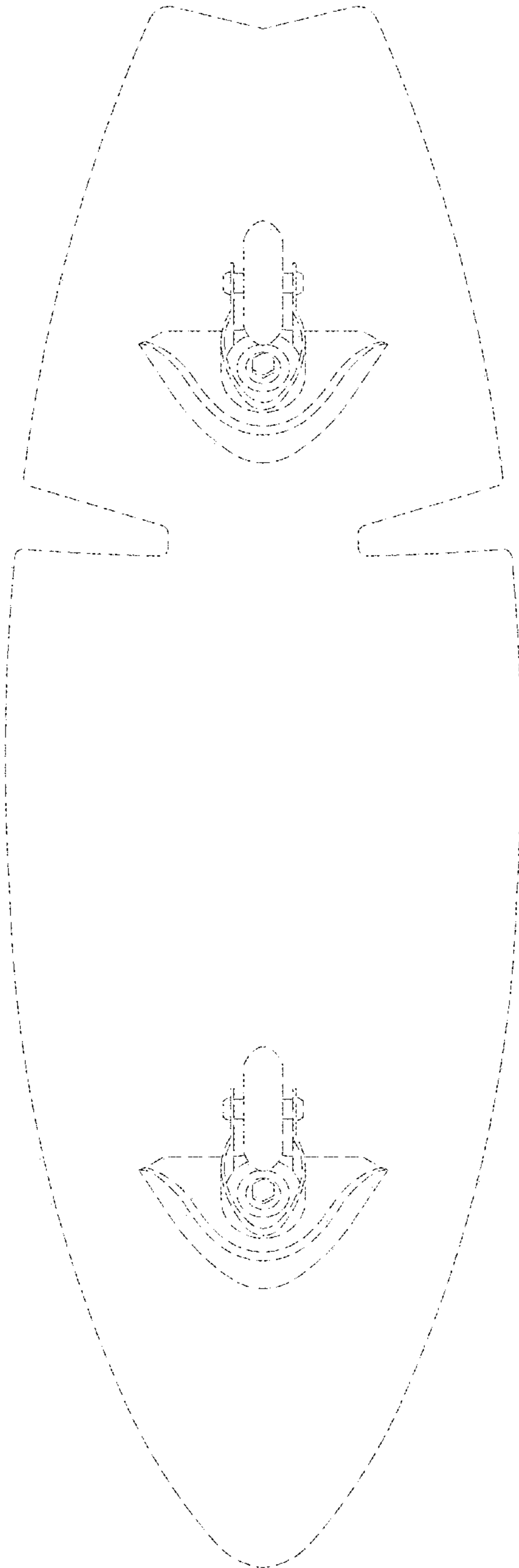


FIG. 6