



US00D899542S

(12) **United States Design Patent**
Schapiro

(10) **Patent No.:** **US D899,542 S**

(45) **Date of Patent:** **** Oct. 20, 2020**

(54) **SELF-BALANCING SKATEBOARD**

(71) Applicant: **Steven Schapiro**, Tampa, FL (US)

(72) Inventor: **Steven Schapiro**, Tampa, FL (US)

(**) Term: **15 Years**

(21) Appl. No.: **29/739,387**

(22) Filed: **Jun. 24, 2020**

Related U.S. Application Data

(62) Division of application No. 29/658,975, filed on Aug. 3, 2018.

(51) **LOC (12) Cl.** **21-02**

(52) **U.S. Cl.**
USPC **D21/765**

(58) **Field of Classification Search**
USPC D21/419, 421, 423, 426, 662, 760, 765,
D21/766, 769, 771, 776
CPC A63C 17/01; A63C 17/011; A63C 17/012;
A63C 17/014; A63C 17/015; A63C
17/02; A63C 17/26; A63C 5/003; B60Q
1/326; B62K 3/001
See application file for complete search history.

(56) **References Cited**

U.S. PATENT DOCUMENTS

5,474,314 A * 12/1995 Lehman A63C 17/0046
280/11.27
5,794,955 A * 8/1998 Flynn A63C 17/01
280/11.28
D398,358 S * 9/1998 Jeffreys D21/765
D413,954 S * 9/1999 Gerlach D21/765
6,467,560 B1 * 10/2002 Anderson A63C 17/01
180/181

7,147,235 B2 * 12/2006 West A63C 17/013
280/87.042
7,226,063 B2 * 6/2007 Paddock A63C 17/01
280/11.28
7,374,179 B2 * 5/2008 Cole A63C 17/0046
280/11.27
D620,994 S * 8/2010 Jordan D21/765
8,025,300 B1 * 9/2011 Jordan A63C 17/1436
280/87.042
8,684,376 B2 * 4/2014 Wurst A63C 17/014
280/87.042
2006/0125200 A1 * 6/2006 Cole A63C 17/0046
280/87.042
2008/0284121 A1 * 11/2008 French A63C 17/0046
280/87.042
2018/0111039 A1 * 4/2018 Wood G05D 1/0891

* cited by examiner

Primary Examiner — Cynthia M. Chin
(74) *Attorney, Agent, or Firm* — Quickpatents, LLC;
Kevin Prince

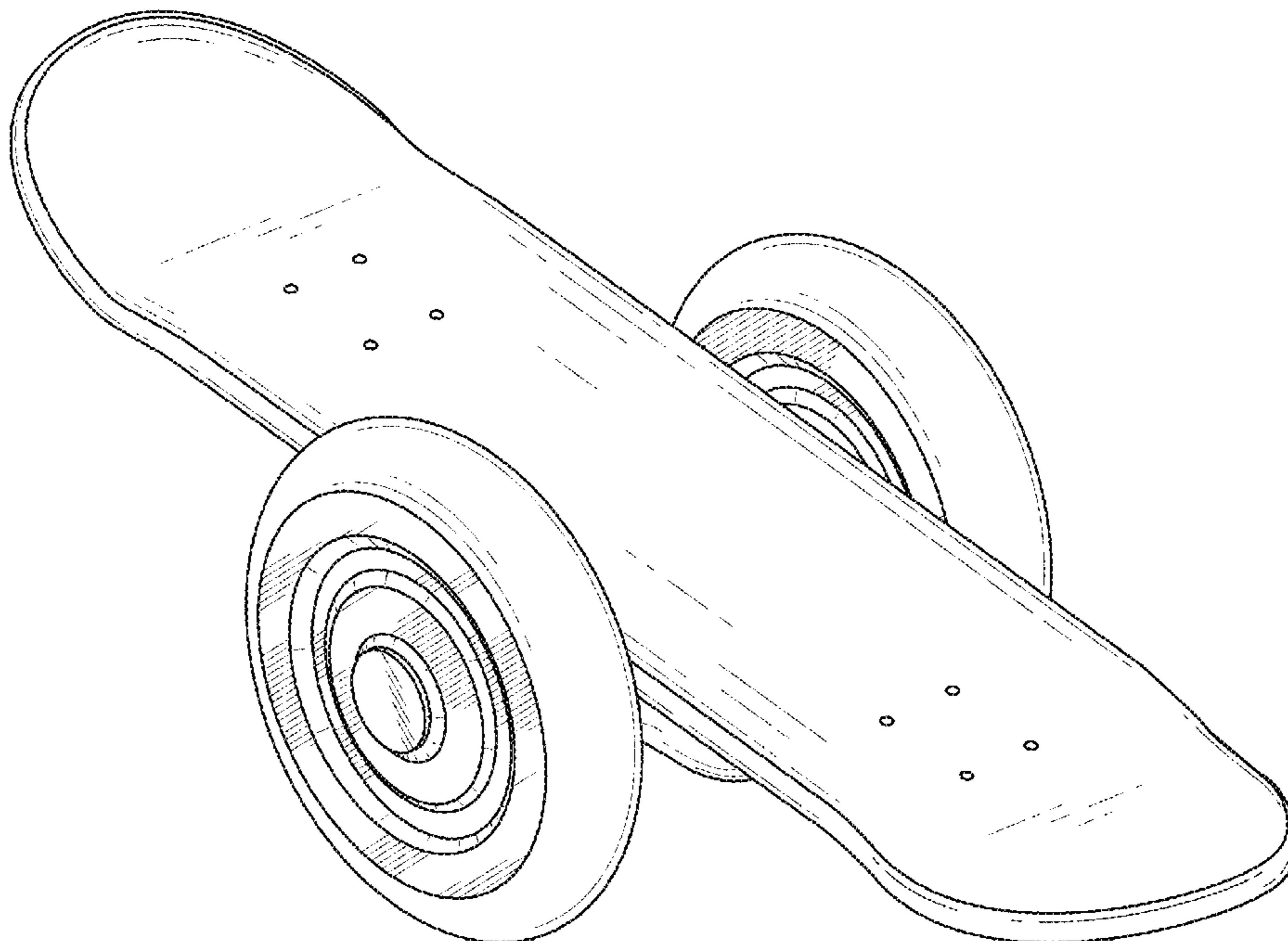
(57) **CLAIM**

I claim the ornamental design for a self-balancing skate-
board, as shown and described.

DESCRIPTION

FIG. 1 is a top perspective view of a self-balancing skate-
board, showing my new design;
FIG. 2 is an enlarged front elevational view of FIG. 1;
FIG. 3 is an enlarged rear elevational view of FIG. 1;
FIG. 4 is a left-side elevational view of FIG. 1, the right-side
elevational view being a mirror image thereof;
FIG. 5 is a top plan view of FIG. 1; and,
FIG. 6 is a bottom plan view of FIG. 1.

1 Claim, 5 Drawing Sheets



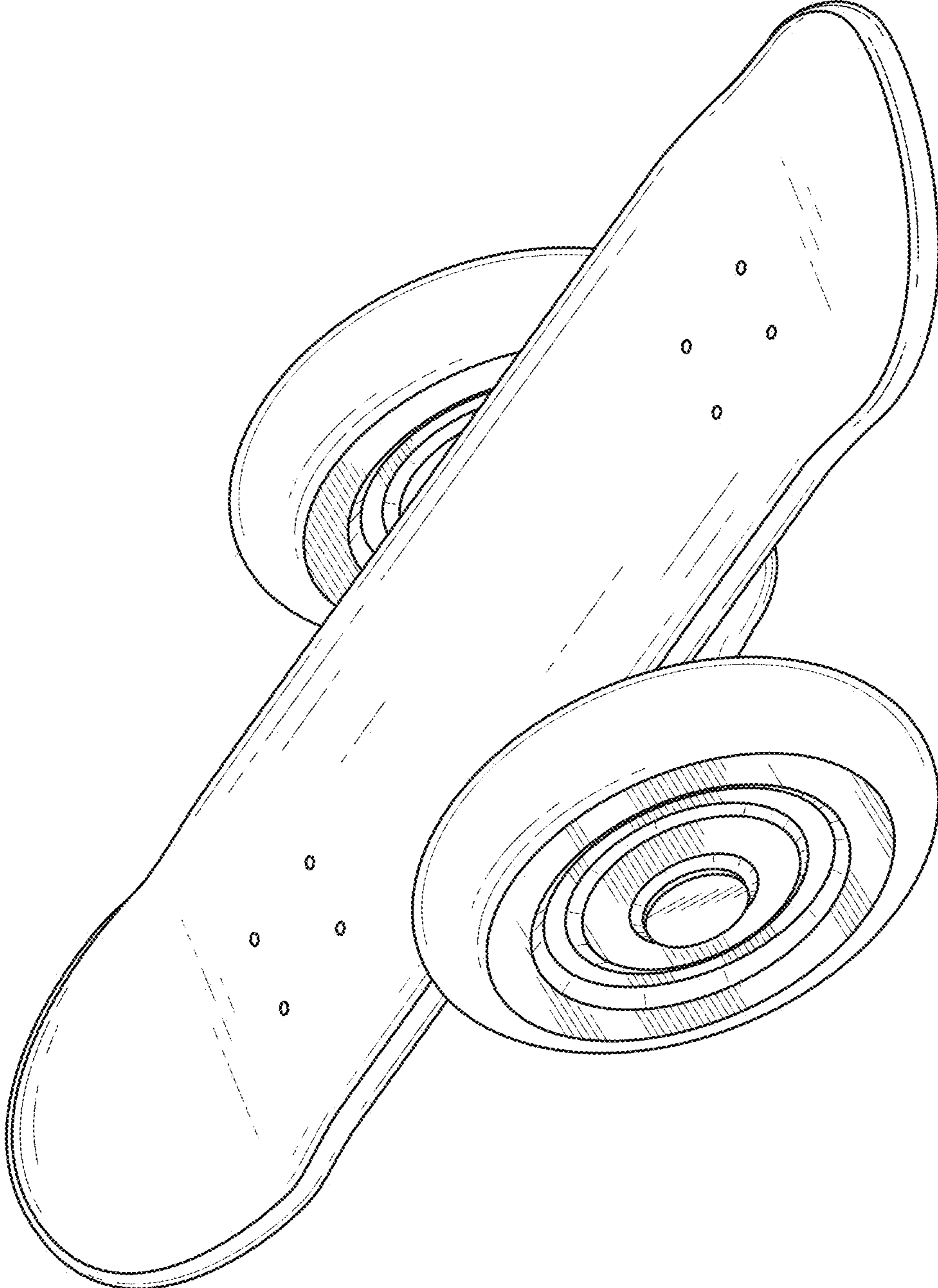


FIG. 1

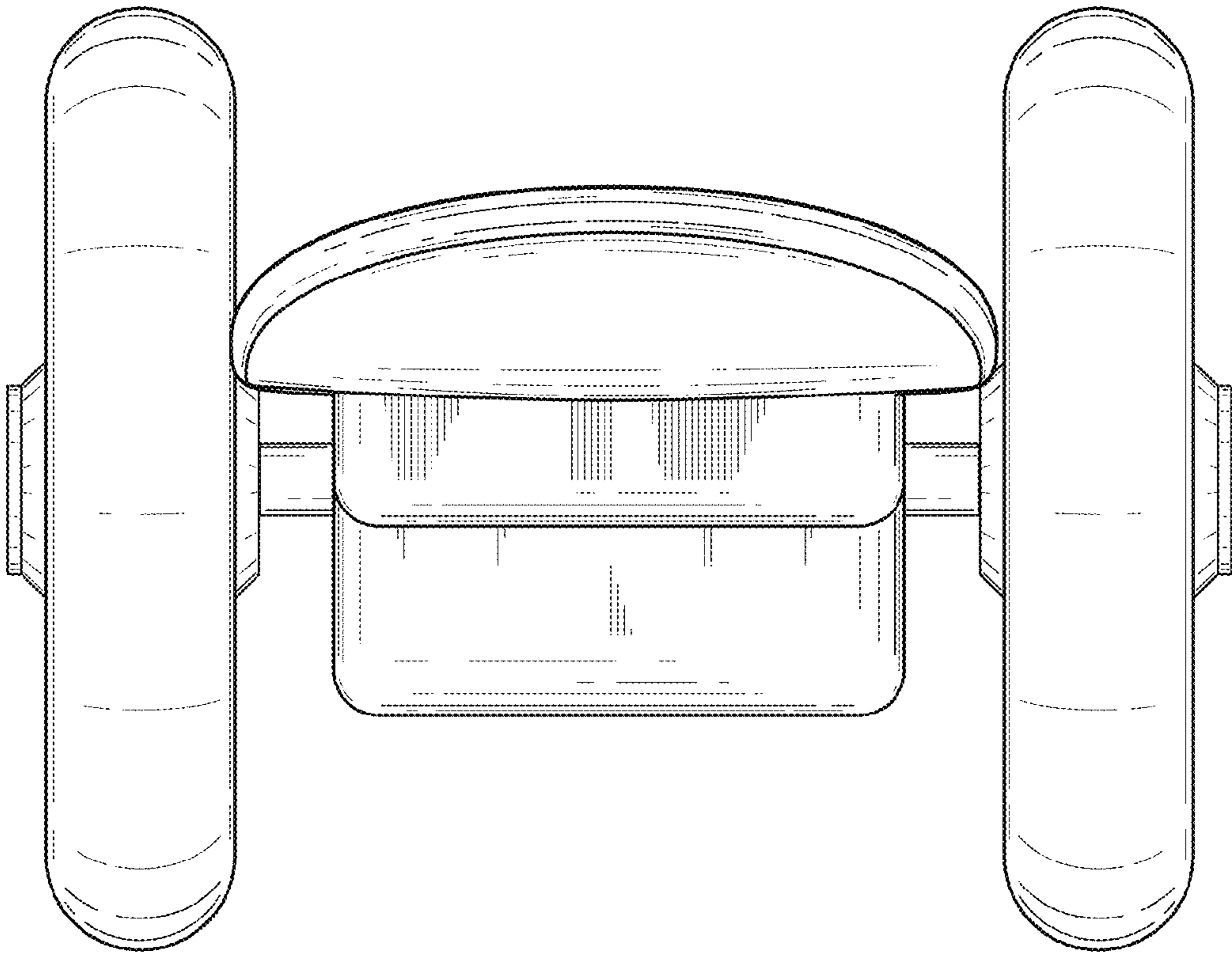


FIG. 2

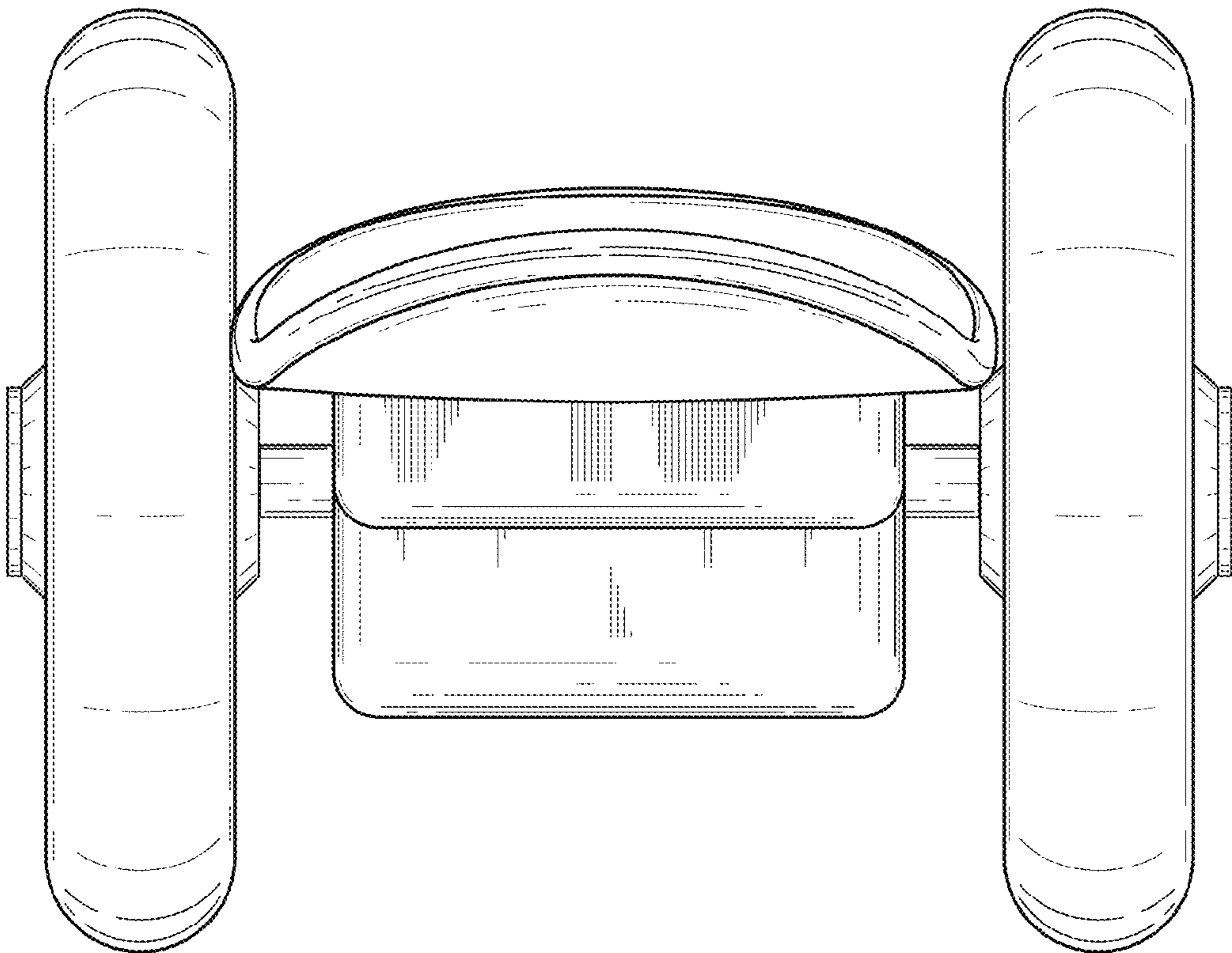


FIG. 3

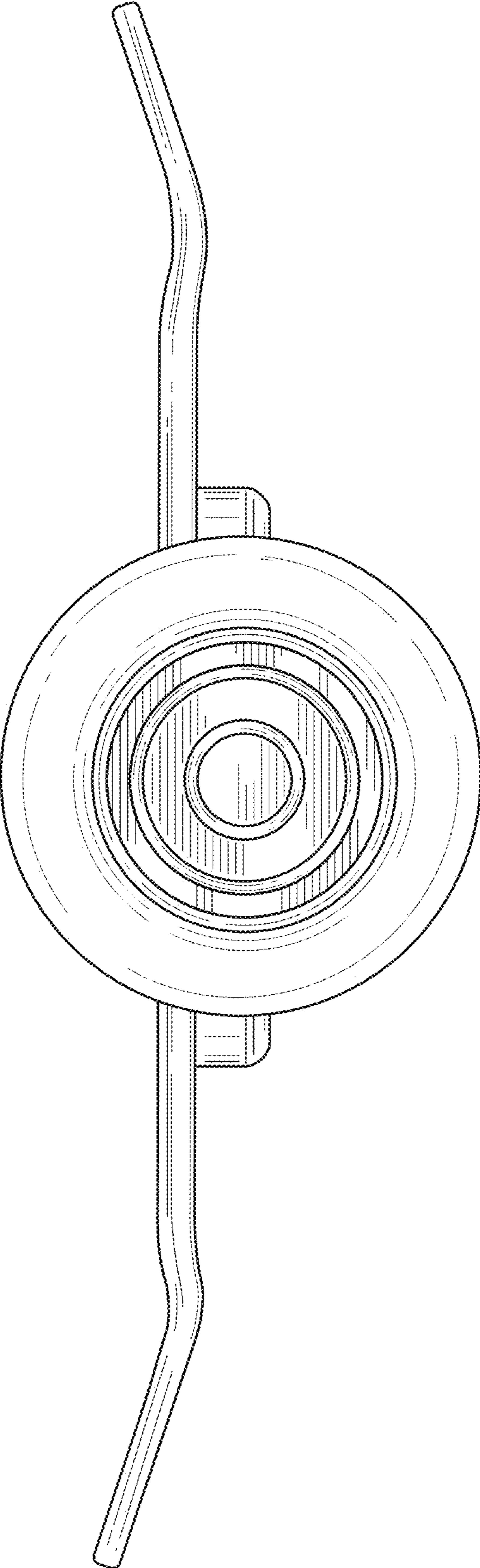


FIG. 4

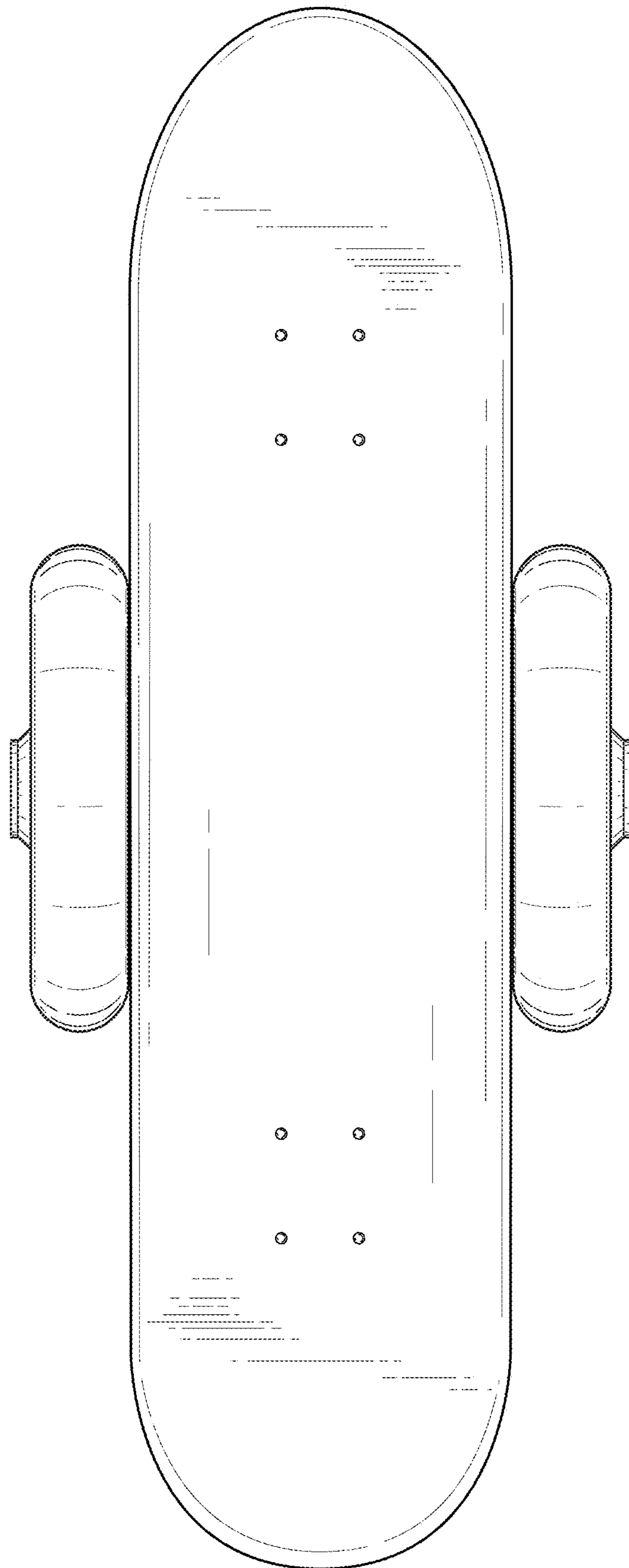


FIG. 5

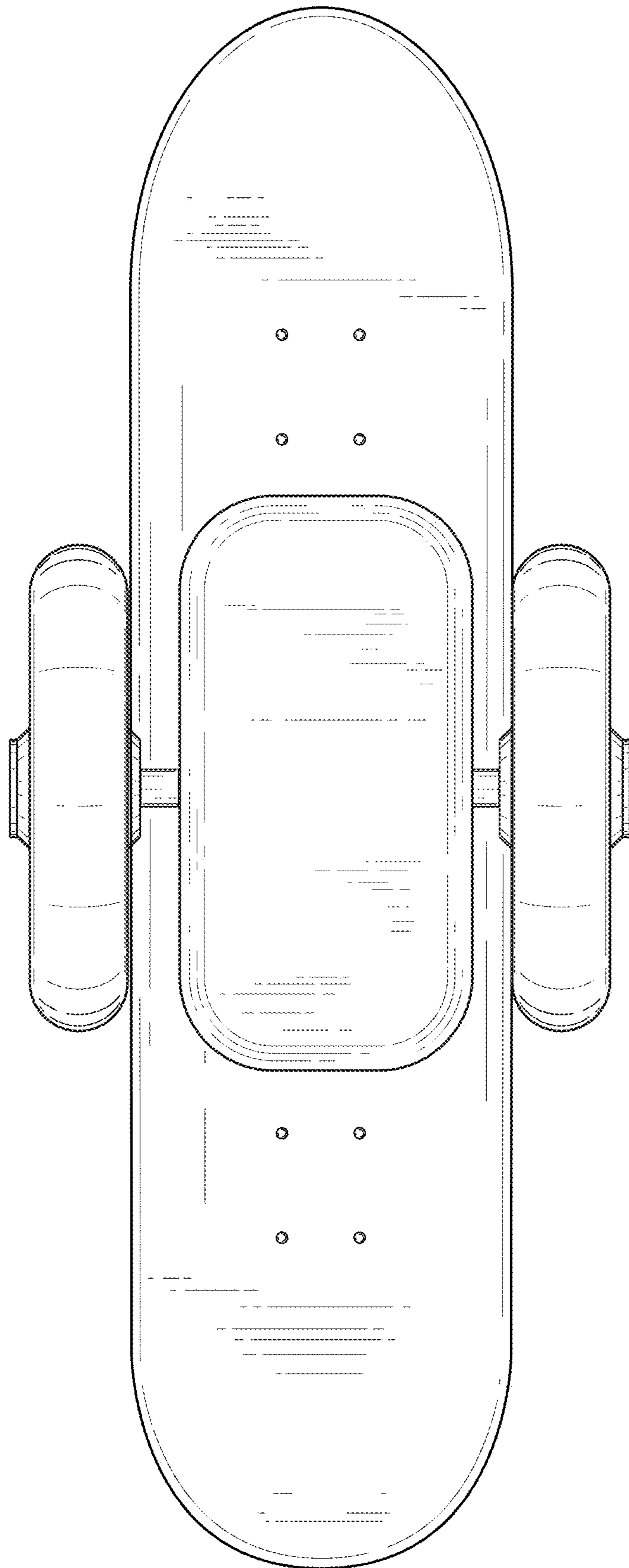


FIG. 6