



US00D899541S

(12) **United States Design Patent**  
**Desberg**

(10) **Patent No.:** **US D899,541 S**

(45) **Date of Patent:** **\*\* Oct. 20, 2020**

- (54) **TWO WHEELED BOARD**
- (71) Applicant: **RAZOR USA LLC**, Cerritos, CA (US)
- (72) Inventor: **Ian Desberg**, Cerritos, CA (US)
- (73) Assignee: **RAZOR USA LLC**, Cerritos, CA (US)
- (\*\*) Term: **15 Years**
- (21) Appl. No.: **29/710,762**
- (22) Filed: **Oct. 25, 2019**

4,151,892 A 5/1979 Francken  
 4,281,734 A 8/1981 Johnston  
 4,325,565 A 4/1982 Winchell  
 (Continued)

**FOREIGN PATENT DOCUMENTS**

CA 2903571 A1 12/2015  
 CN 101148184 A 3/2008  
 (Continued)

**OTHER PUBLICATIONS**

Alex Banks, Everything You Need to Know About the Hoverboard Craze, Highsnobiety.com, Oct. 14, 2015, <http://www.highsnobiety.com/2015/10/14/hoverboard-history>.

(Continued)

*Primary Examiner* — Cynthia M. Chin

(74) *Attorney, Agent, or Firm* — Knobbe, Martens, Olson & Bear, LLP

(57)

**CLAIM**

The ornamental design for a two wheeled board, as shown and described.

**DESCRIPTION**

FIG. 1 is a front, top, left-side perspective view of a two wheeled board of my design;  
 FIG. 2 is a rear, bottom, left-side perspective view thereof;  
 FIG. 3 is a top view thereof;  
 FIG. 4 is a bottom view thereof;  
 FIG. 5 is a front view thereof;  
 FIG. 6 is a rear view thereof;  
 FIG. 7 is a left-side view thereof; and,  
 FIG. 8 is a right-side view thereof.

The broken lines illustrate portions of the two wheeled board that form no part of the claim. The dash-dot broken lines immediately adjacent the shaded areas represent the bounds of the claim. None of the broken lines form a part of the claimed design.

**1 Claim, 7 Drawing Sheets**

**Related U.S. Application Data**

- (63) Continuation of application No. 29/674,365, filed on Dec. 20, 2018, now Pat. No. Des. 865,890, which is a continuation of application No. 29/631,901, filed on Jan. 3, 2018, now Pat. No. Des. 837,323, which is a continuation of application No. 29/571,693, filed on Jul. 20, 2016, now Pat. No. Des. 807,457.

(51) **LOC (12) Cl.** ..... **21-02**

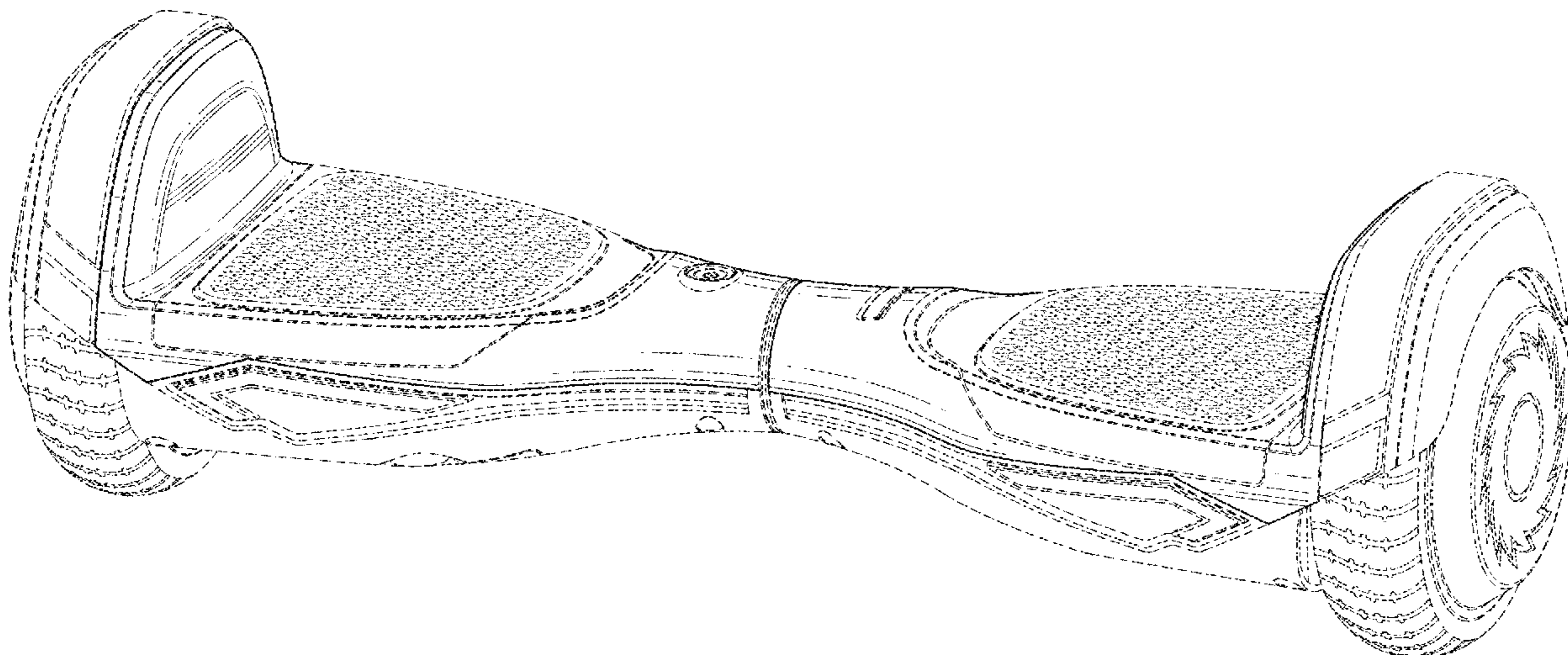
(52) **U.S. Cl.**  
USPC ..... **D21/763**

(58) **Field of Classification Search**  
 USPC ..... D21/419, 421, 423, 426, 760, 765, 766,  
                   D21/769, 771, 776, 803; D12/1  
 CPC ..... A63C 17/01; A63C 17/12; A63C 2203/00;  
                   A63C 2203/011; A63C 2203/012; A63C  
                   2203/013; A63C 2203/40; A63C 2203/52;  
                   B62D 51/02; B62K 2202/00; B62K  
                   2207/00; B62K 2207/02; B62K 2207/04  
 See application file for complete search history.

(56) **References Cited**

**U.S. PATENT DOCUMENTS**

3,860,264 A 1/1975 Douglas et al.  
 4,065,146 A 12/1977 Denzer  
 4,076,270 A 2/1978 Winchell



(56)

## References Cited

## U.S. PATENT DOCUMENTS

4,354,569	A	10/1982	Eichholz	7,004,271	B1	2/2006	Kamen et al.
4,484,648	A	11/1984	Jephcott	7,006,901	B2	2/2006	Wang
4,556,997	A	12/1985	Takamiya et al.	7,017,686	B2	3/2006	Kamen et al.
4,624,469	A	11/1986	Bourne, Jr.	7,023,330	B2	4/2006	Kamen et al.
4,712,806	A	12/1987	Patrin	7,090,040	B2	8/2006	Kamen et al.
4,874,055	A	10/1989	Beer	7,091,724	B2	8/2006	Heinzmann et al.
5,011,171	A	4/1991	Cook	D528,468	S	9/2006	Arling et al.
5,165,711	A	11/1992	Tsai	7,130,702	B2	10/2006	Morrell
D355,148	S	2/1995	Orsolini	7,131,706	B2	11/2006	Kamen et al.
5,522,568	A	6/1996	Kamen et al.	7,157,875	B2	1/2007	Kamen et al.
5,571,892	A	11/1996	Fuji et al.	7,174,976	B2	2/2007	Kamen et al.
5,695,021	A	12/1997	Schaffner et al.	7,178,614	B2	2/2007	Ishii
5,701,965	A	12/1997	Kamen et al.	7,182,166	B2	2/2007	Gray et al.
5,701,968	A	12/1997	Wright-Ott et al.	7,210,544	B2	5/2007	Kamen et al.
5,775,452	A	7/1998	Patmont	7,243,572	B1	7/2007	Arling et al.
5,791,425	A	8/1998	Kamen et al.	7,263,453	B1	8/2007	Gansler et al.
5,794,730	A	8/1998	Kamen	D551,592	S	9/2007	Chang et al.
5,848,660	A	12/1998	McGreen	D551,722	S	9/2007	Chang et al.
5,971,091	A	10/1999	Kamen et al.	7,273,116	B2	9/2007	Kamen et al.
5,975,225	A	11/1999	Kamen et al.	7,275,607	B2	10/2007	Kamen et al.
6,050,357	A	4/2000	Staelin et al.	7,303,032	B2	12/2007	Kahlert et al.
6,052,647	A	4/2000	Parkinson et al.	7,338,056	B2	3/2008	Chen et al.
6,062,600	A	5/2000	Kamen et al.	7,357,202	B2	4/2008	Kamen et al.
6,223,104	B1	4/2001	Kamen et al.	7,363,993	B2	4/2008	Ishii
D444,184	S	6/2001	Kettler	7,367,572	B2	5/2008	Jiang
6,273,212	B1	8/2001	Husted et al.	7,370,713	B1	5/2008	Kamen
6,288,505	B1	9/2001	Heinzmann et al.	7,407,175	B2	8/2008	Kamen et al.
6,302,230	B1	10/2001	Kamen et al.	7,437,202	B2	10/2008	Morrell
6,332,103	B1	12/2001	Stenson et al.	7,469,760	B2	12/2008	Kamen et al.
6,357,544	B1	3/2002	Kamen et al.	7,479,872	B2	1/2009	Kamen et al.
6,367,817	B1	4/2002	Kamen et al.	7,479,872	B2	1/2009	Kamen et al.
6,386,576	B1	5/2002	Kamen et al.	7,481,291	B2	1/2009	Nishikawa
6,405,816	B1	6/2002	Kamen et al.	7,546,889	B2	6/2009	Kamen et al.
6,408,240	B1	6/2002	Morrell et al.	7,592,900	B2	9/2009	Kamen et al.
6,415,879	B2	7/2002	Kamen et al.	D601,922	S	10/2009	Imai et al.
6,435,535	B1	8/2002	Field et al.	7,690,447	B2	4/2010	Kamen et al.
6,443,250	B1	9/2002	Kamen et al.	7,690,452	B2	4/2010	Kamen et al.
6,538,411	B1	3/2003	Field et al.	7,703,568	B2	4/2010	Ishii
6,543,564	B1	4/2003	Kamen et al.	7,708,094	B2	5/2010	Kamen et al.
6,547,026	B2	4/2003	Kamen et al.	7,740,099	B2	6/2010	Field et al.
6,553,271	B1	4/2003	Morrell	7,757,794	B2	7/2010	Heinzmann
6,561,294	B1	5/2003	Kamen et al.	7,779,939	B2	8/2010	Kamen et al.
6,575,539	B2	6/2003	Reich	7,783,392	B2	8/2010	Oikawa
6,581,714	B1	6/2003	Kamen et al.	7,789,174	B2	9/2010	Kamen et al.
6,598,941	B2	7/2003	Field et al.	7,812,715	B2	10/2010	Kamen et al.
6,651,763	B1	11/2003	Kamen et al.	7,857,088	B2	12/2010	Field et al.
6,651,766	B2	11/2003	Kamen et al.	7,900,725	B2	3/2011	Heinzmann et al.
D489,027	S	4/2004	Waters	7,938,207	B2	5/2011	Kamen et al.
D489,029	S	4/2004	Waters	7,950,123	B2	5/2011	Arling et al.
6,715,845	B2	4/2004	Kamen et al.	7,962,256	B2	6/2011	Sterns et al.
D489,300	S	5/2004	Chang et al.	7,979,179	B2	7/2011	Gansler
D493,127	S	7/2004	Waters et al.	8,014,923	B2	9/2011	Ishii et al.
D493,128	S	7/2004	Waters et al.	8,028,777	B2	10/2011	Kakinuma et al.
D493,129	S	7/2004	Waters et al.	8,047,556	B2	11/2011	Jang et al.
D493,392	S	7/2004	Waters et al.	8,074,388	B2	12/2011	Trainer
D494,099	S	8/2004	Maurer et al.	8,091,672	B2	1/2012	Gutsch et al.
6,779,621	B2	8/2004	Kamen et al.	8,146,696	B2	4/2012	Kaufman
6,789,640	B1	9/2004	Arling et al.	8,162,089	B2	4/2012	Shaw
6,796,396	B2	9/2004	Kamen et al.	8,170,780	B2	5/2012	Field et al.
6,799,649	B2	10/2004	Kamen et al.	8,186,462	B2	5/2012	Kamen et al.
6,815,919	B2	11/2004	Field et al.	8,225,891	B2	7/2012	Takenaka et al.
6,827,163	B2	12/2004	Amsbury et al.	8,248,222	B2	8/2012	Kamen et al.
6,837,327	B2	1/2005	Heinzmann	8,322,477	B2	12/2012	Kamen et al.
6,866,107	B2	3/2005	Heinzmann et al.	8,417,404	B2	4/2013	Yen et al.
6,868,931	B2	3/2005	Morrell et al.	8,453,340	B2	6/2013	Van der Merwe et al.
6,874,591	B2	4/2005	Morrell et al.	8,453,768	B2	6/2013	Kamen et al.
6,889,784	B2	5/2005	Troll	8,467,941	B2	6/2013	Field et al.
6,907,949	B1	6/2005	Wang	8,490,723	B2	7/2013	Heinzmann et al.
D507,206	S	7/2005	Wang	8,532,877	B2	9/2013	Oikawa
6,920,947	B2	7/2005	Kamen et al.	8,584,782	B2	11/2013	Chen
6,929,080	B2	8/2005	Kamen et al.	8,684,123	B2	4/2014	Chen
6,965,206	B2	11/2005	Kamen et al.	8,688,303	B2	4/2014	Stevens et al.
6,969,079	B2	11/2005	Kamen et al.	8,738,278	B2	5/2014	Chen
6,992,452	B1	1/2006	Sachs et al.	8,807,250	B2	8/2014	Chen
7,000,933	B2	2/2006	Arling et al.	8,830,048	B2	9/2014	Kamen et al.
				8,860,362	B2	10/2014	Kamen et al.
				8,978,791	B2	3/2015	Ha et al.
				9,045,190	B2	6/2015	Chen
				D737,723	S	9/2015	Ying et al.
				D738,256	S	9/2015	Ying et al.

(56)

References Cited

U.S. PATENT DOCUMENTS

D739,906 S 9/2015 Chen  
 9,376,155 B2 6/2016 Ying et al.  
 9,403,573 B1 8/2016 Mazzei  
 9,452,802 B2 9/2016 Ying et al.  
 D778,782 S 2/2017 Chen et al.  
 D779,375 S 2/2017 Zeng  
 D780,626 S 3/2017 Li et al.  
 D783,452 S 4/2017 Ying  
 D783,751 S 4/2017 Yao  
 D784,195 S 4/2017 Ying  
 D784,196 S 4/2017 Ying  
 D784,197 S 4/2017 Ying  
 D784,198 S 4/2017 Zhu  
 D785,112 S 4/2017 Ying  
 D785,113 S 4/2017 Ying  
 D785,114 S 4/2017 Ying  
 D785,115 S 4/2017 Ying  
 D785,736 S 5/2017 Ying  
 D786,130 S \* 5/2017 Huang ..... D12/1  
 D786,994 S \* 5/2017 Chen ..... D21/760  
 9,638,285 B2 5/2017 Huang  
 9,688,340 B1 \* 6/2017 Kroymann ..... B62K 21/12  
 D803,722 S 11/2017 Ying  
 D803,963 S 11/2017 Desberg  
 D805,429 S 12/2017 Cao  
 9,840,302 B2 12/2017 Zeng  
 D807,457 S 1/2018 Desberg  
 D808,300 S \* 1/2018 Cao ..... D12/1  
 D808,855 S 1/2018 Zhang et al.  
 D808,856 S 1/2018 Zhang et al.  
 D808,857 S \* 1/2018 Zhang ..... D12/1  
 D810,618 S 2/2018 Li  
 D812,521 S 3/2018 Yao  
 10,059,397 B2 8/2018 Ying et al.  
 D837,322 S 1/2019 Desberg  
 D837,323 S 1/2019 Desberg  
 D840,872 S 2/2019 Desberg  
 D850,326 S 6/2019 Zheng  
 D865,095 S 10/2019 Desberg  
 D865,890 S 11/2019 Desberg  
 2002/0008361 A1 1/2002 Smith  
 2002/0063006 A1 5/2002 Kamen et al.  
 2002/0149172 A1 10/2002 Field et al.  
 2004/0005958 A1 1/2004 Kamen et al.  
 2004/0007399 A1 1/2004 Heinzmann et al.  
 2004/0007644 A1 1/2004 Phelps, III et al.  
 2004/0055796 A1 1/2004 Heinzmann et al.  
 2004/0050611 A1 3/2004 Kamen et al.  
 2004/0201271 A1 10/2004 Kakinuma et al.  
 2004/0262871 A1 12/2004 Schreuder et al.  
 2005/0126832 A1 6/2005 Amsbury et al.  
 2005/0134014 A1 6/2005 Xie  
 2006/0202439 A1 9/2006 Kahlert et al.  
 2006/0260857 A1 11/2006 Kakinuma et al.  
 2007/0051543 A1 3/2007 Kamen et al.  
 2008/0105471 A1 1/2008 Nakashima et al.  
 2008/0029985 A1 2/2008 Chen  
 2008/0147281 A1 6/2008 Ishii et al.  
 2008/0284130 A1 11/2008 Kamen et al.  
 2009/0032323 A1 2/2009 Kakinuma et al.  
 2009/0055033 A1 2/2009 Gansler et al.  
 2009/0078485 A1 3/2009 Gutsch et al.  
 2009/0105908 A1 4/2009 Casey et al.  
 2010/0025139 A1 2/2010 Kosaka et al.  
 2010/0033315 A1 2/2010 Kamen et al.  
 2010/0114468 A1 5/2010 Field et al.  
 2010/0121538 A1 5/2010 Ishii et al.  
 2010/0207564 A1 8/2010 Robinson  
 2010/0217497 A1 8/2010 Kamen et al.  
 2010/0222994 A1 9/2010 Field et al.  
 2010/0225080 A1 9/2010 Smith  
 2010/0237645 A1 9/2010 Trainer  
 2011/0209929 A1 9/2011 Heinzmann et al.  
 2011/0220427 A1 9/2011 Heinzmann et al.  
 2011/0221160 A1 9/2011 Shaw et al.

2011/0238247 A1 9/2011 Yen et al.  
 2012/0035809 A1 2/2012 Kosaka  
 2012/0205176 A1 8/2012 Ha et al.  
 2012/0239284 A1 9/2012 Field et al.  
 2012/0290162 A1 11/2012 Stevens et al.  
 2012/0310464 A1 12/2012 Kamen et al.  
 2013/0010825 A1 1/2013 Kamen et al.  
 2013/0032422 A1 2/2013 Chen  
 2013/0032423 A1 2/2013 Chen  
 2013/0092461 A1 4/2013 Kamen et al.  
 2013/0099565 A1 4/2013 Sachs et al.  
 2013/0105239 A1 5/2013 Fung  
 2013/0228385 A1 9/2013 Chen  
 2013/0238231 A1 9/2013 Chen  
 2013/0268145 A1 10/2013 Kamen et al.  
 2014/0091622 A1 4/2014 Lucas et al.  
 2014/0163855 A1 6/2014 Field et al.  
 2014/0188316 A1 7/2014 Heinzmann et al.  
 2014/0222267 A1 8/2014 Stevens et al.  
 2014/0339003 A1 11/2014 Kamen et al.  
 2015/0096820 A1 4/2015 Strack  
 2015/0175202 A1 6/2015 MacGregor et al.  
 2016/0129963 A1 5/2016 Ying et al.  
 2016/0207584 A1 7/2016 Ying et al.  
 2016/0325803 A1 11/2016 Waxman  
 2017/0088211 A1 3/2017 Jiang  
 2017/0088212 A1 3/2017 Edney  
 2017/0144718 A1 5/2017 Tinaphong  
 2017/0158275 A1 6/2017 Yang  
 2017/0166278 A1 6/2017 Lu  
 2017/0183053 A1 6/2017 Zeng  
 2017/0217529 A1 8/2017 Chen  
 2017/0297653 A1 10/2017 Zheng  
 2018/0037290 A1 2/2018 Ying  
 2018/0037293 A1 2/2018 Chen  
 2019/0077479 A1 3/2019 Chen  
 2019/0193803 A1 6/2019 Desberg et al.

FOREIGN PATENT DOCUMENTS

CN 101157376 A 4/2008  
 CN 101920728 12/2010  
 CN 101565073 B 1/2011  
 CN 201824899 U 5/2011  
 CN 102602481 A 7/2012  
 CN 203158157 U 8/2013  
 CN 203381739 U 1/2014  
 CN 104014123 A 9/2014  
 CN 104029769 A 9/2014  
 CN 203844875 U 9/2014  
 CN 203996649 U 12/2014  
 CN 204050913 U 12/2014  
 CN 102514662 B 4/2015  
 CN 102514663 B 5/2015  
 CN 104859773 A 8/2015  
 CN 104922891 A 9/2015  
 CN 104922893 A 9/2015  
 CN 104954476 A 9/2015  
 CN 105151181 A 12/2015  
 CN 204864865 U 12/2015  
 CN 204952213 U 1/2016  
 CN 205005082 U 1/2016  
 CN 105329387 A 2/2016  
 CN 105329388 A 2/2016  
 CN 105346606 A 2/2016  
 CN 105346607 A 2/2016  
 CN 105346643 A 2/2016  
 CN 105346649 A 2/2016  
 CN 105346650 A 2/2016  
 CN 105346651 A 2/2016  
 CN 105416464 A 3/2016  
 CN 105416484 A 3/2016  
 CN 105416485 A 3/2016  
 CN 105416486 A 3/2016  
 CN 205150007 U 4/2016  
 CN 205150114 U 4/2016  
 CN 205160428 U 4/2016  
 CN 205186320 U 4/2016  
 CN 205186321 U 4/2016

(56)

## References Cited

## FOREIGN PATENT DOCUMENTS

CN	205186322	U	4/2016
CN	105539664	A	5/2016
CN	105539665	A	5/2016
CN	105539666	A	5/2016
CN	105539695	A	5/2016
CN	205469471	U	8/2016
DE	3411489		10/1984
DE	44 04 594		8/1995
DE	10209093		9/2003
DE	202014010564	U1	1/2016
EP	2987712	A1	2/2016
GB	2529565	A	2/2016
JP	52-044933		4/1977
JP	57-87766		6/1982
JP	57-110569		7/1982
JP	59-73372		4/1984
JP	61-31685		2/1986
JP	62-12810		1/1987
JP	63-305082		6/1987
JP	2-190277		7/1990
JP	4-201793		7/1992
JP	5-213240		8/1993
JP	6-105415		4/1994
JP	6-171562		6/1994
JP	10-023613		1/1998
JP	H03-070015		5/2000
JP	2006-001384	A	1/2006
JP	2010-254216	A	11/2010
TW	M516550	U	2/2016
TW	M531423	U	11/2016
WO	WO 86/05752		10/1986
WO	WO 89/06117		7/1989
WO	WO 96/23478		8/1996
WO	WO 98/46474		10/1998
WO	WO 00/75001		12/2000
WO	WO 2003/68342		2/2003
WO	WO 2004/07264		1/2004
WO	WO 2015/188599		12/2015
WO	WO 2017/092163		8/2017

## OTHER PUBLICATIONS

John D. Bash, How Do Self Balancing Scooters Work?, *Bestelectrichoverboard.com* (Nov. 12, 2015), <https://bestelectrichoverboard.com/hoverboard-faq/how-do-selfbalancing-scooters-work/>.

Blankespoor et al., Experimental Verification of the Dynamic Model for a Quarter Size Self-Balancing Wheelchair, *Proceeding of the 2004 American Control Conference*, Boston, MA, vol. 1, pp. 488-492.

CNET, Screenshots of “First look at the Razor Hovertrax 2.0 with Jake Krol” video, posted on Jul. 13, 2016, in 28 pages.

Ben Detrick, Celebrities on Scooters (Catch Them If You Can), *The New York Times* Aug. 15, 2015, [http://www.nytimes.com/2015/08/16/fashion/cara-delevingne-justinbieber-meek-mill-stephen-curry-on-scooters.html?\\_r=%200](http://www.nytimes.com/2015/08/16/fashion/cara-delevingne-justinbieber-meek-mill-stephen-curry-on-scooters.html?_r=%200).

Hu et al., Self-balancing Control and Manipulation of a Glove Puppet Robot on a Two-Wheel Mobile Platform, 2009 IEEE/RSJ International Conference on intelligent Robots and Systems, St. Louis, MO, 2009, pp. 424-425.

IO Hawk—Intelligent Personal Mobility Device, <https://web.archive.org/web/20150718144409/http://iohawk.com>, Jul. 18, 2015, in 9 pages.

Inventist, Inc. “Hovertrax Guide and Manual,” 2014, in 15 pages. “Inventist Inc , Solo Wheel , Orbit wheel @ Toy Fair 2013” <https://www.youtube.com/watch?v=w8rHKCjLAWI>, Feb. 10, 2013. Alex Kantrowitz, Everything You Need to Know About the Hoverboard Craze, *Buzzfeed.com* Aug. 27, 2015, [https://www.buzzfeed.com/alexkantrowitz/a-crash-course-inhoverboards?utm\\_term=.qw5Z9x47Z#.oc1W1v56W](https://www.buzzfeed.com/alexkantrowitz/a-crash-course-inhoverboards?utm_term=.qw5Z9x47Z#.oc1W1v56W).

Kawaji, S., Stabilization of Unicycle Using Spinning Motion, *Denki Gakkai Ronbushi, D*, vol. 107, Issue 1, Japan (1987), pp. 21-28.

Kickstarter, Comments on Hovertrax by Inventist, <https://www.kickstarter.com/projects/687658339/hovertrax/comments>, apparently available Oct. 2014, in 16 pages.

Kickstarter, “Hovertrax by Inventist,” <https://web.archive.org/web/20130504083823/http://kickstarter.com/projects/687658339/hovertrax/>, May 4, 2013, in 11 pages.

Kim et al., Development of a Two-Wheeled Mobile Tilting & Balancing (MTB) Robot, 2011 11th International Conference on Control, Automation and Systems (ICCAS), Gyeonggi-do, 2011, pp. 1-6.

Li et al., A coaxial couple wheeled equilibrium robot with T-S fuzzy equilibrium control, *Industrial Robot: An International Journal*, vol. 38, Issue 3, pp. 292-300, 2011.

Mike Murphy, Everything You’ve Ever Wanted to Know About the Hoverboard Craze, *Quartz* Nov. 11, 2015, <http://qz.com/495935/everything-youve-ever-wanted-to-know-aboutthe-hoverboard-craze/>.

Mandy Robinson, Hoverboard Black Friday Sales: Best Places to Get One Before Christmas, *Inquisitr.com*, Nov. 24, 2015, <http://www.inquisitr.com/2589773/hoverboard-black-friday-sales-best-10107994-iv-places-to-get-one-before-christmas/>.

Sasaki et al., Forward and Backward Motion Control of Personal Riding-type Wheeled Mobile Platform, *Proceedings of the 2004 IEEE International Conference on Robotics and Automation*, vol. 4, pp. 3331-3336.

Sasaki, Makiko et al., “Steering Control of the Personal Riding-type Wheeled Mobile Platform (PMP),” vol. 4 of 4, IEEE, RSJ International Conference on Intelligent Robots and Systems, Aug. 2-6, 2005, in 60 pages.

Schoonwinkel, A, Design and Test of a Computer-Stabilized Unicycle, *Stanford University* (1988), UMI Dissertation Services.

SINO US Times, Interview of Mr. Ying, <http://www.chic-robot.com/index.php/news/info/54>, Jan. 26, 2016, in 15 pages.

Tsai et al., Development of a Self-Balancing Human Transportation Vehicle for the Teaching of Feedback Control, *IEEE Transactions on Education*, vol. 52, No. 1, Feb. 2009.

Vos, D., Dynamics and Nonlinear Adaptive Control of an Autonomous Unicycle, *Massachusetts Institute of Technology*, 1989.

Vos, D., Nonlinear Control of an Autonomous Unicycle Robot: Practical Issues, *Massachusetts Institute of Technology*, 1992.

Georgia Wells, What It’s Like to Have Wheels for Feet: Test Driving the Latest ‘Hoverboards’, *The Wall Street Journal* (Oct. 28, 2015), <http://www.wsj.com/articles/what-its-like-to-have-wheels-forfeet-test-driving-the-latest-hoverboards-1446055640>.

Yu et al., Development of a Omni-directional Self-Balancing Robot Wheelchair, *Journal of Korea Robotics Society*, vol. 8, Iss. 4, pp. 229-237 (2013).

‘They’re Completely Different Products’: IO Hawk President John Soibatian Not Concerned About Infringing Hovertrax Patent, *Hoverguru.com* (2015), <http://hoverguru.com/posts/theyrecompletely-different-products-io-hawk-president-john-soibatian-notconcerned-about-infringing-on-hovertrax-patent/> (last visited Dec. 27, 2016).

\* cited by examiner

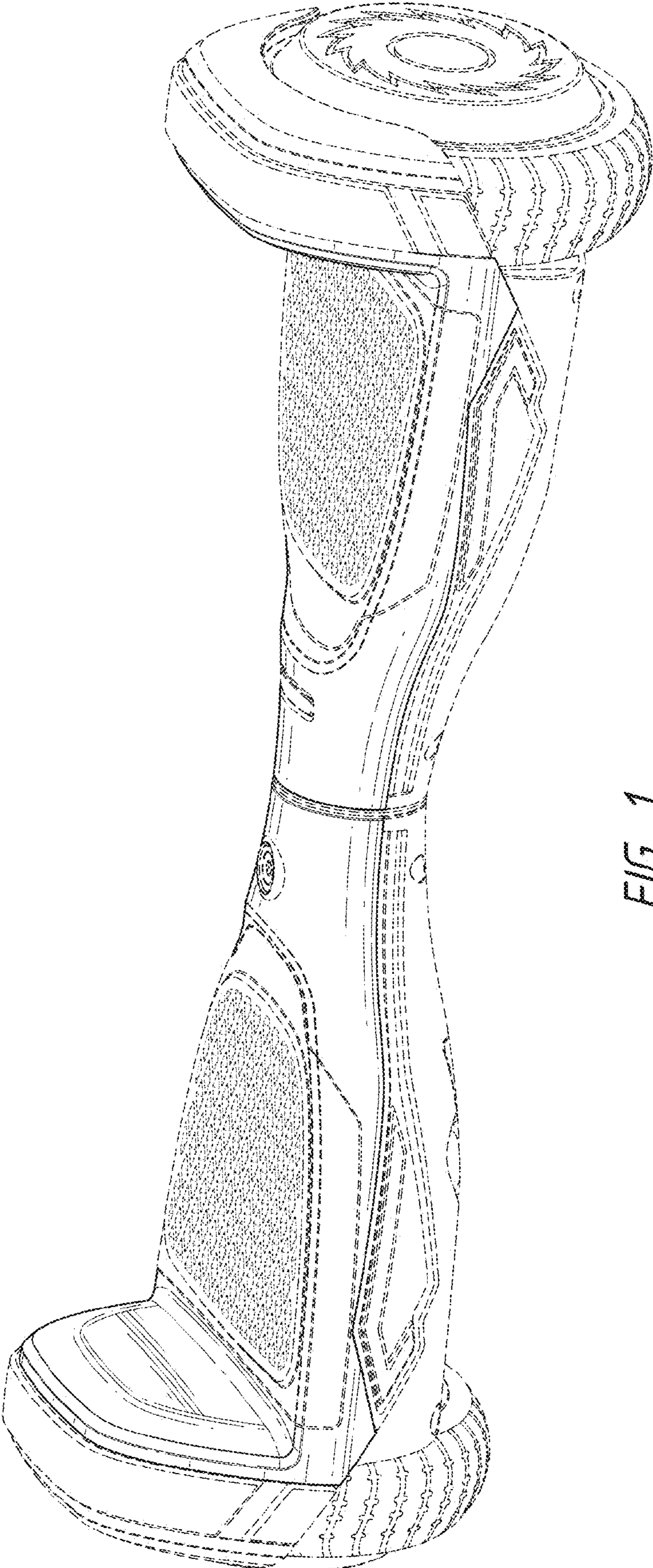


FIG. 1

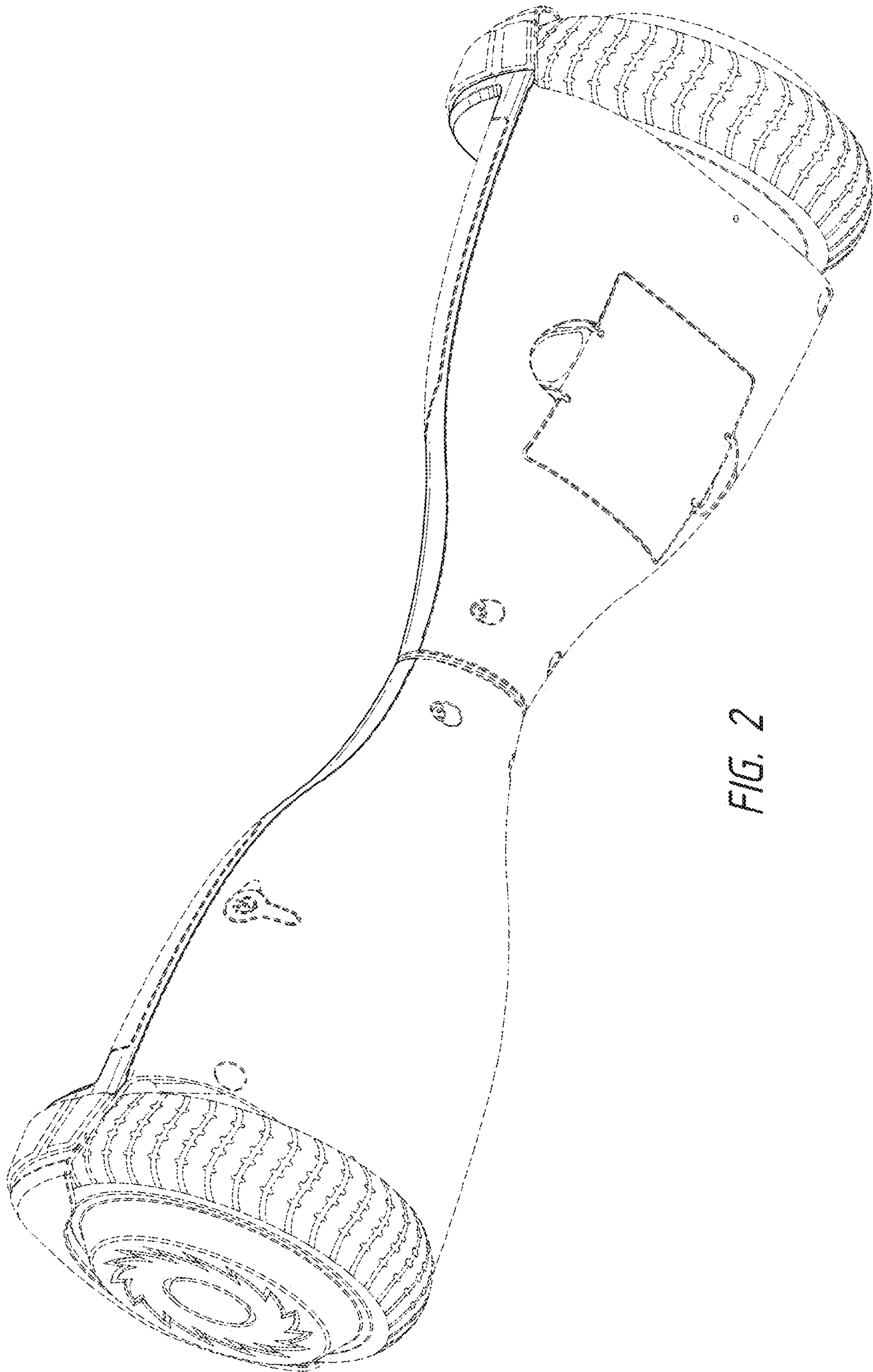


FIG. 2

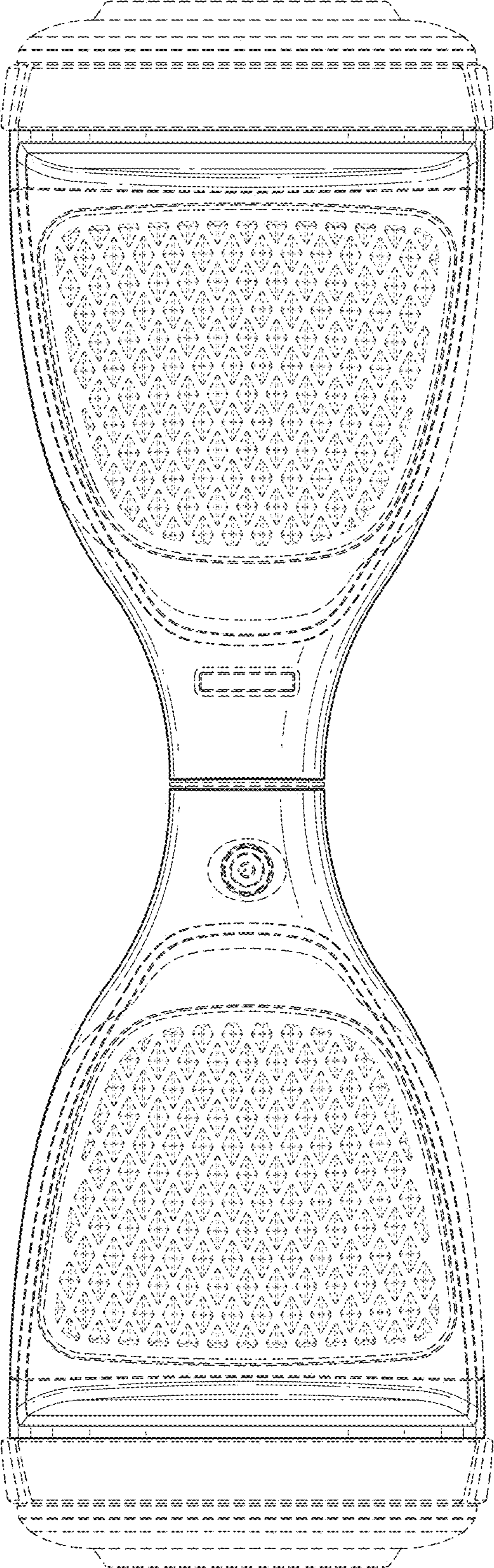


FIG. 3

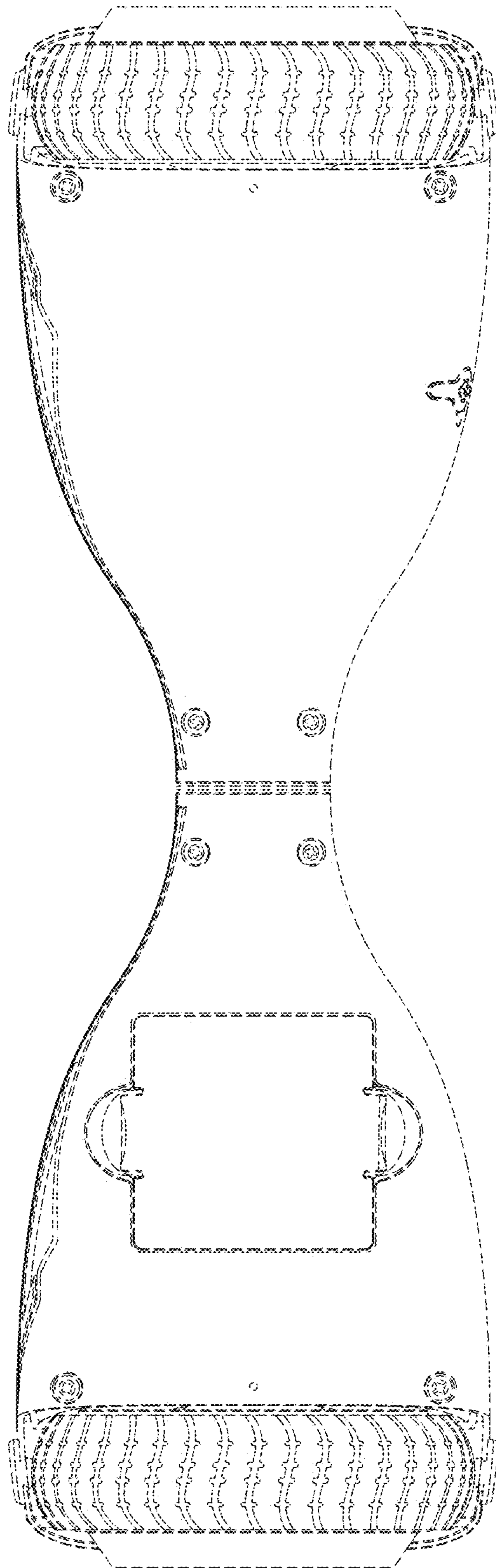


FIG. 4



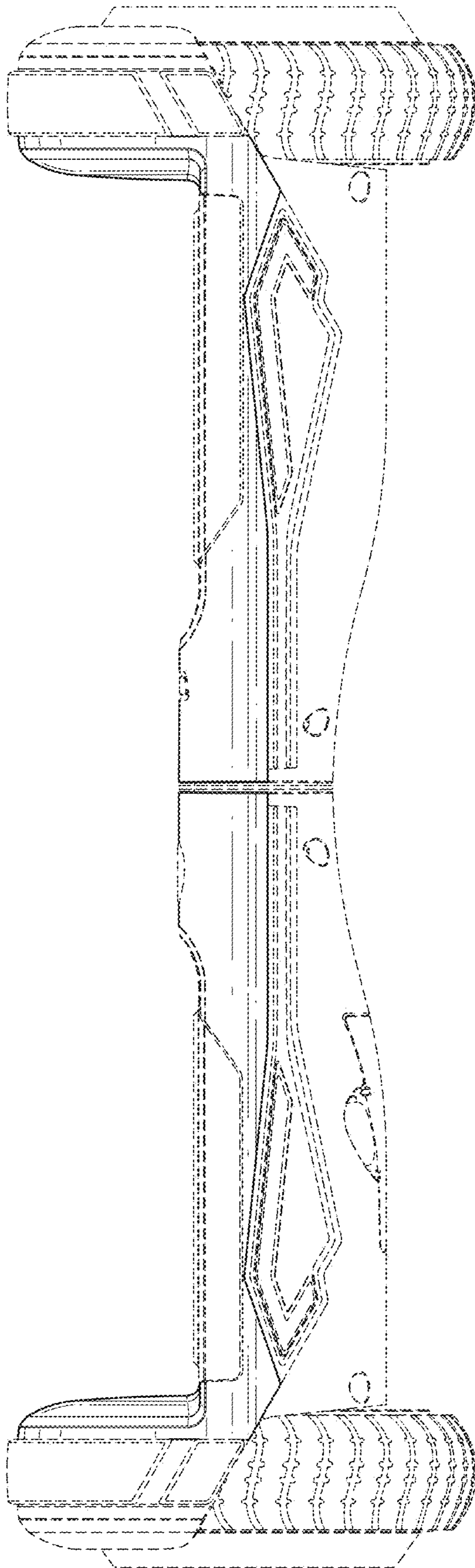


FIG. 5

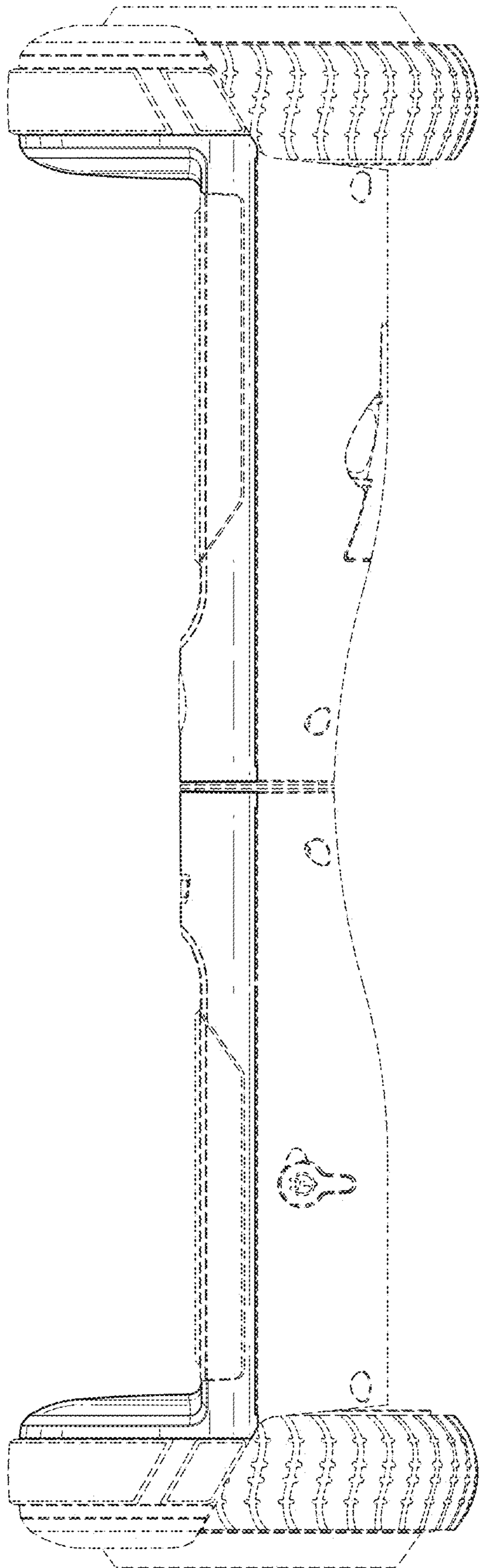


FIG. 6

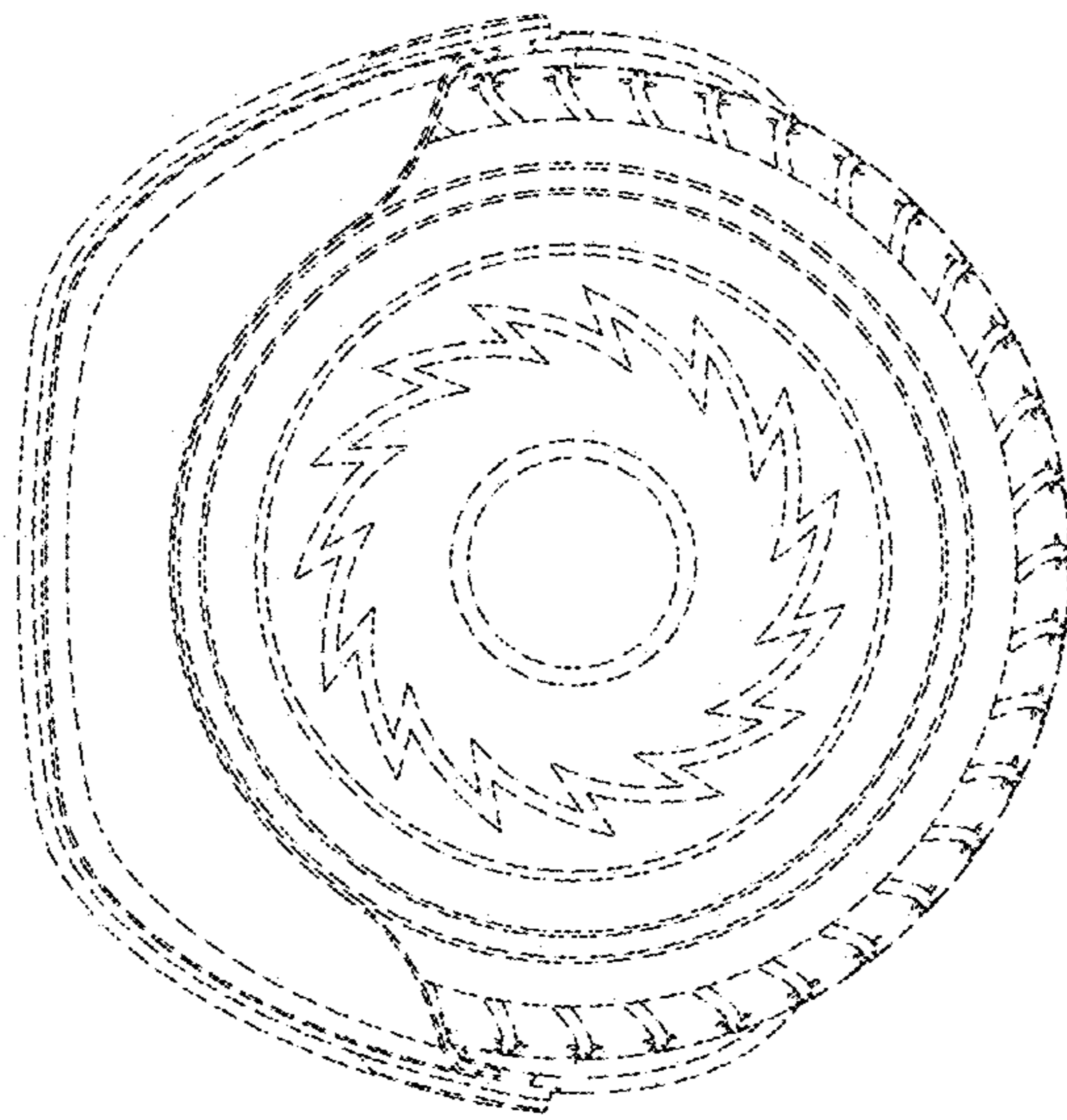


FIG. 8

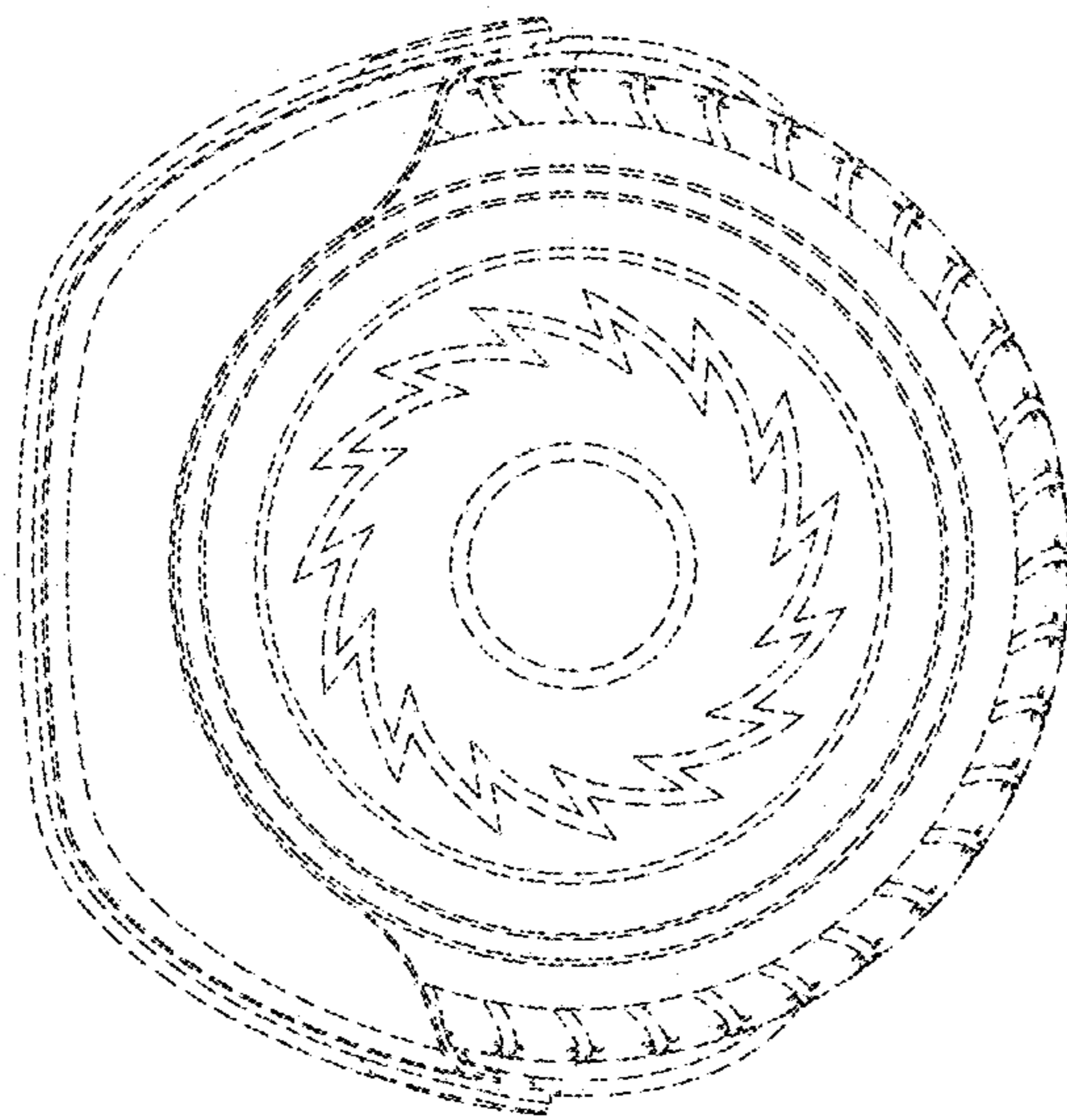


FIG. 7