



US00D899539S

(12) **United States Design Patent**  
**Brooks, III**

(10) **Patent No.:** **US D899,539 S**

(45) **Date of Patent:** **\*\* Oct. 20, 2020**

(54) **BASKETBALL GOAL ATTACHMENT**

(71) Applicant: **Alvin Brooks, III**, Hewitt, TX (US)

(72) Inventor: **Alvin Brooks, III**, Hewitt, TX (US)

(\*\*) Term: **15 Years**

(21) Appl. No.: **29/679,548**

(22) Filed: **Feb. 7, 2019**

**Related U.S. Application Data**

(63) Continuation of application No. 15/618,928, filed on Jun. 9, 2017, now abandoned.

(51) **LOC (12) Cl.** ..... **21-02**

(52) **U.S. Cl.**

USPC ..... **D21/701**; D21/781

(58) **Field of Classification Search**

USPC ..... D21/302, 303, 305, 699–705, 781

CPC ..... A63B 63/00–083; A63B 2063/001; A63B

2063/002; A63B 2063/005; A63B

2063/006; A63B 2063/065; A63B

2063/086

See application file for complete search history.

(56) **References Cited**

**U.S. PATENT DOCUMENTS**

3,160,414 A \* 12/1964 Gray ..... A63B 63/083  
473/448

5,098,091 A \* 3/1992 McGivern ..... A63B 63/083  
473/489

D364,203 S \* 11/1995 Rothbard ..... D21/701

D365,375 S \* 12/1995 Lee ..... D21/703

D397,384 S \* 8/1998 DeArmond ..... D21/701

5,944,623 A \* 8/1999 Schlicting ..... A63B 63/083  
473/402

6,440,014 B1 \* 8/2002 Checko ..... A63B 63/083  
473/485

D527,782 S \* 9/2006 Coryatt ..... D21/781

D532,476 S \* 11/2006 Coryatt ..... D21/781  
D535,715 S \* 1/2007 Coryatt ..... D21/701  
D545,391 S \* 6/2007 Coryatt ..... D21/701  
7,427,244 B1 \* 9/2008 Patel ..... A63B 69/0071  
473/447  
7,597,635 B2 \* 10/2009 Davies ..... A63B 69/0071  
473/433  
D710,465 S \* 8/2014 Klager ..... D21/701  
9,782,650 B1 \* 10/2017 Holcomb ..... A63B 69/0071  
2005/0153796 A1 \* 7/2005 Cahill ..... A63B 63/083  
473/448  
2006/0035735 A1 \* 2/2006 Baker ..... A63B 69/0071  
473/448  
2007/0060420 A1 \* 3/2007 Bradford ..... A63B 63/083  
473/447  
2007/0082759 A1 \* 4/2007 Burkhardt ..... A63B 63/083  
473/448  
2007/0191147 A1 \* 8/2007 Guptill ..... A63B 63/00  
473/465  
2017/0239543 A1 \* 8/2017 Seto ..... A63B 63/083  
2018/0099193 A1 \* 4/2018 Shen ..... A63B 63/083  
2018/0353824 A1 \* 12/2018 Brooks, III ..... A63B 69/0071

\* cited by examiner

*Primary Examiner* — Catherine A Tuttle

(74) *Attorney, Agent, or Firm* — Richard A. Fagin

(57) **CLAIM**

The ornamental design for a basketball goal attachment, as shown and described.

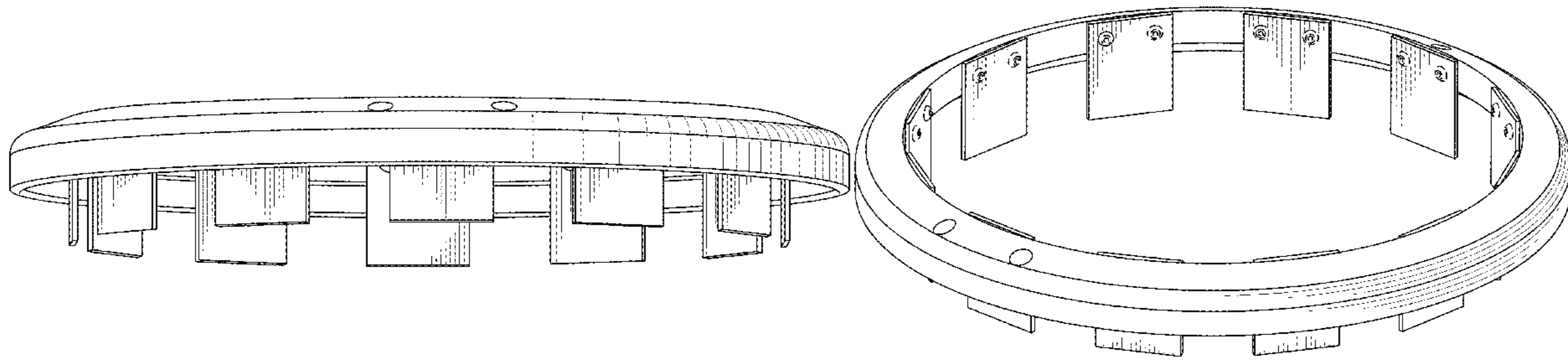
**DESCRIPTION**

FIG. 1 is a side perspective view showing my new design for the basketball goal attachment; and,

FIG. 2 is a top perspective view thereof.

The broken lines depict the portions of the basketball goal attachment and its environment that form no part of the claimed design.

**1 Claim, 2 Drawing Sheets**



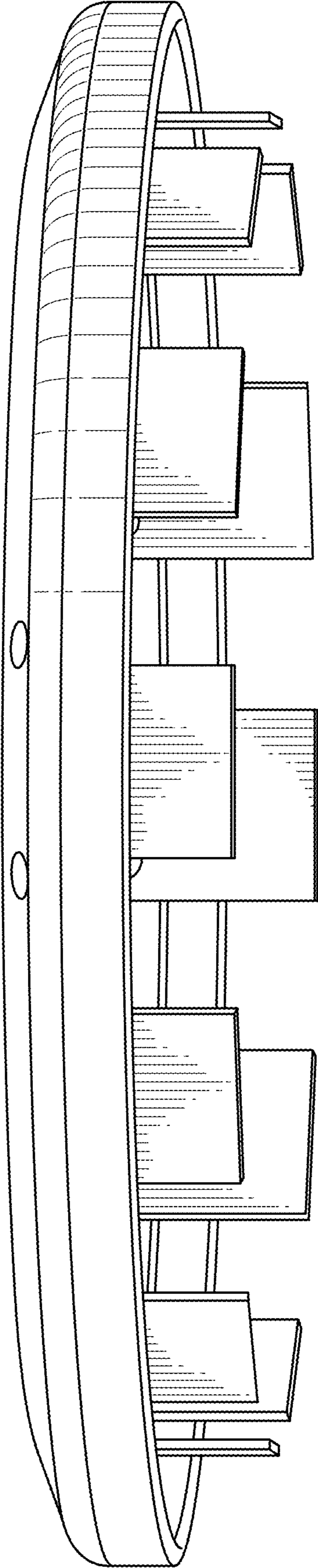


FIG. 1

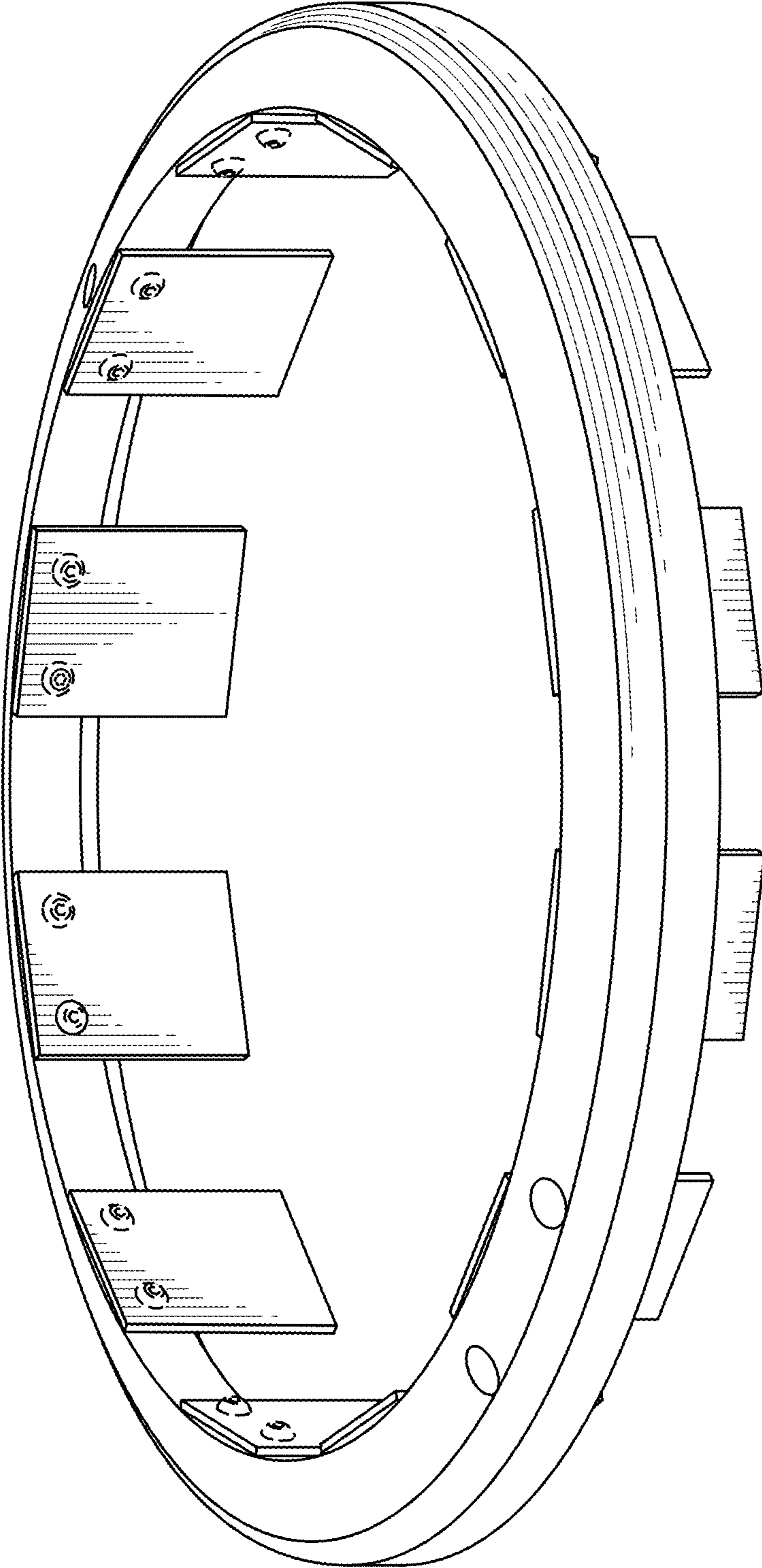


FIG. 2