



US00D899538S

(12) **United States Design Patent**
Caissy

(10) **Patent No.:** **US D899,538 S**

(45) **Date of Patent:** **** Oct. 20, 2020**

(54) **PRACTICE GOALIE**

(71) Applicant: **Caissy Inc.**, Quebec (Quebec) (CA)

(72) Inventor: **Laval Caissy**, Saint-Lambert-de Lauzon (CA)

(73) Assignee: **CAISSY INC.**, Quebec (CA)

(**) Term: **15 Years**

(21) Appl. No.: **29/682,261**

(22) Filed: **Mar. 4, 2019**

(30) **Foreign Application Priority Data**

Sep. 4, 2018 (CA) 183304

(51) **LOC (12) Cl.** **21-02**

(52) **U.S. Cl.**
USPC **D21/699**

(58) **Field of Classification Search**

USPC D21/302, 305, 306, 698, 699, 780, 781,
D21/788; D20/31; 473/422, 434, 435,
473/439, 446, 448, 454, 471, 476, 478;
273/108.22, 317.1, 317.7, 368, 398, 400,
273/402, 407, 410

CPC ... A63B 63/00; A63B 63/003; A63B 663/004;
A63B 63/06; A63B 2063/001; A63B
69/00; A63B 69/002; A63B 69/0024;
A63B 69/0026; A63B 69/0071; A63B
69/0097; A63B 69/34; A63B 2069/0006;
A63B 71/22; A63B 71/023; A63B
2071/026; A63B 2102/22; A63B 2102/24;
A63F 7/0632; A63F 7/0636

See application file for complete search history.

(56) **References Cited**

U.S. PATENT DOCUMENTS

3,765,675 A 10/1973 DiMarzio
3,840,228 A 10/1974 Greaney

3,856,298 A * 12/1974 Frantti A63B 63/00
473/446

4,168,062 A 9/1979 McCarthy et al.

4,489,940 A 12/1984 Amundson

5,246,229 A 9/1993 Carey

5,498,000 A 3/1996 Cuneo

D368,500 S 4/1996 Parzino

5,509,650 A 4/1996 MacDonald

5,582,404 A 12/1996 Parzino

D387,110 S 12/1997 Thiel et al.

D387,111 S * 12/1997 Delegarde D21/699

5,772,538 A 6/1998 Szykiel et al.

5,776,019 A 7/1998 Kronenberger

D405,485 S 2/1999 Mathison

(Continued)

FOREIGN PATENT DOCUMENTS

CA 01227818 A 10/1987

CA 01303644 C 6/1992

(Continued)

Primary Examiner — Catherine A Tuttle

(74) *Attorney, Agent, or Firm* — Sandberg Phoenix & von Gontard, P.C.

(57) **CLAIM**

I claim the ornamental design for a practice goalie, as shown and described.

DESCRIPTION

FIG. 1 is a perspective view of a practice goalie showing my new design;

FIG. 2 is a front elevation view thereof;

FIG. 3 is a rear elevation view thereof;

FIG. 4 is a left-side elevation view thereof;

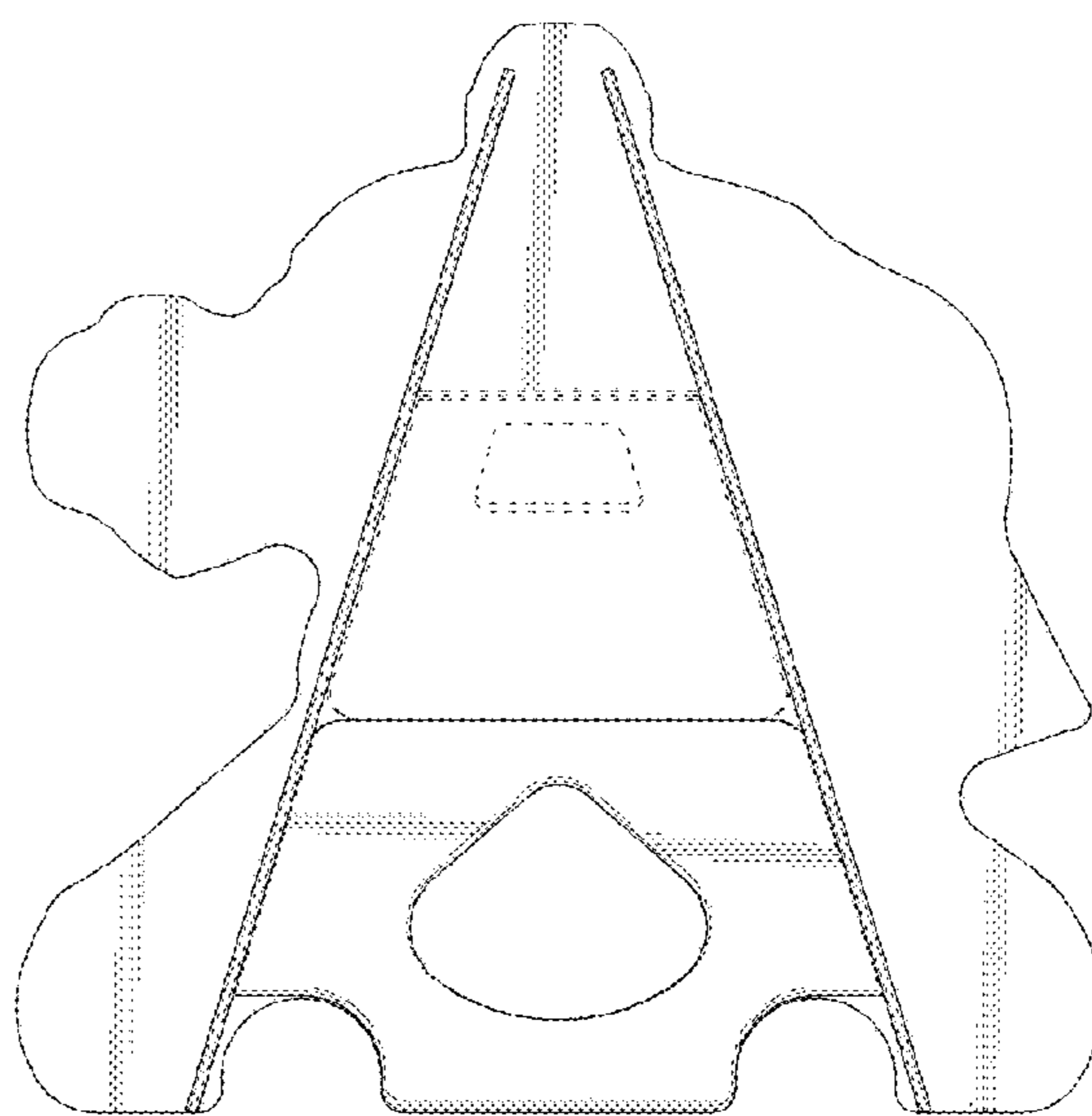
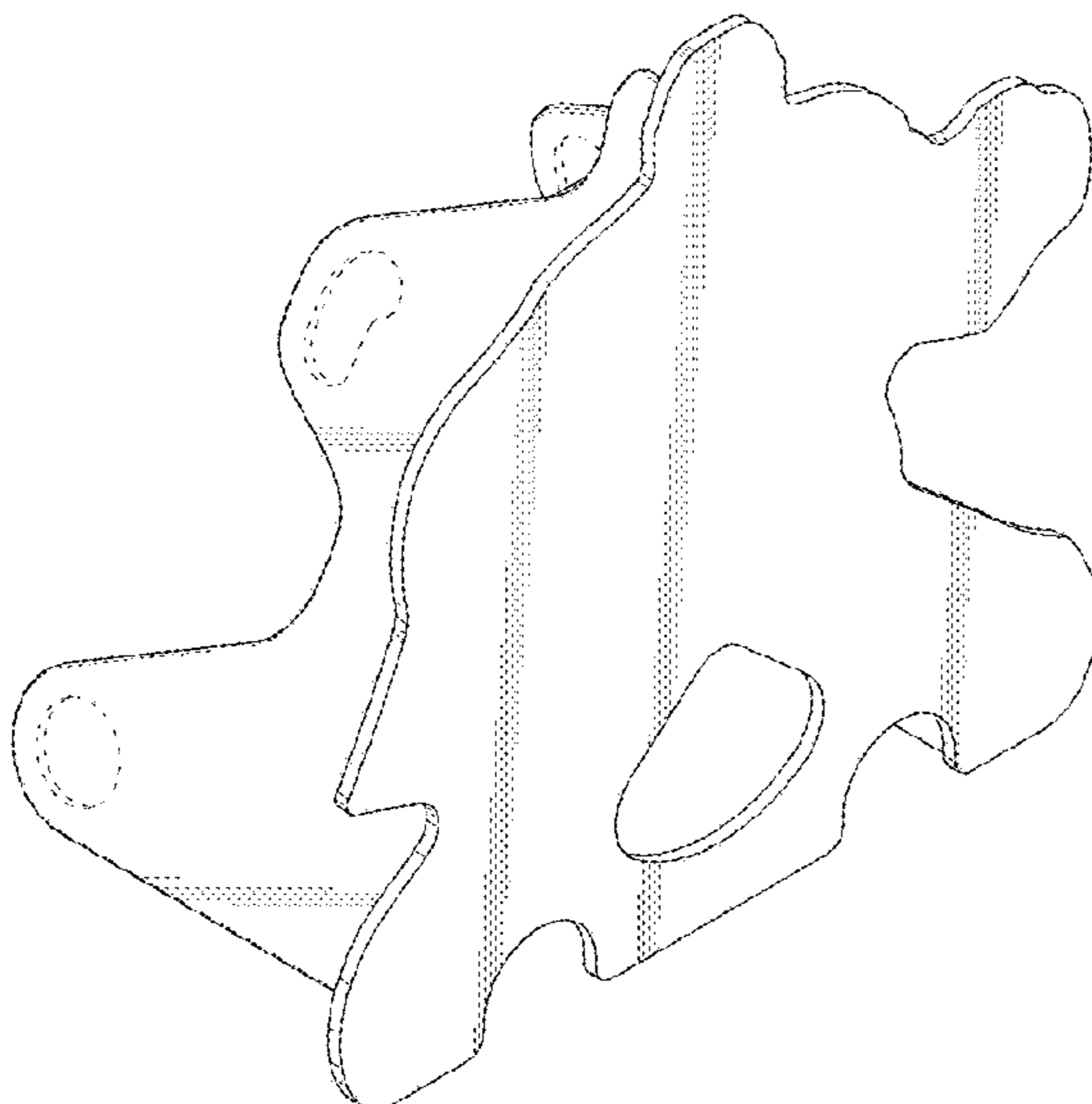
FIG. 5 is a right-side elevation view thereof;

FIG. 6 is a top plan view thereof; and,

FIG. 7 is a bottom plan view thereof.

The portions of the practice goalie shown in broken lines form no part of the claimed design.

1 Claim, 6 Drawing Sheets



(56)

References Cited

U.S. PATENT DOCUMENTS

D411,267 S * 6/1999 Oudemool D21/699
 D414,815 S * 10/1999 McDonald D20/31
 6,012,994 A 1/2000 Béluse
 D495,385 S 8/2004 Winger
 6,796,914 B2 9/2004 Berdugo et al.
 6,926,624 B1 8/2005 Witzke
 D516,629 S 3/2006 McDonald
 8,128,518 B1 3/2012 Kudla et al.
 9,199,148 B2 12/2015 Krohl et al.
 D755,912 S 5/2016 McMahan, Jr.
 9,427,645 B1 * 8/2016 Salscheider A63B 69/0026
 9,616,308 B2 4/2017 Gilman et al.
 D861,088 S * 9/2019 Klanow D21/699
 2004/0259667 A1 12/2004 Berdugo et al.
 2007/0265115 A1 * 11/2007 Farquhar A63B 63/004
 473/446
 2016/0082338 A1 3/2016 Klett

FOREIGN PATENT DOCUMENTS

CA 02360133 A1 5/2002
 CA 2540942 A1 9/2007
 CA 2889340 C 9/2016
 CA 2951149 A1 * 7/2017 A63B 63/004

* cited by examiner

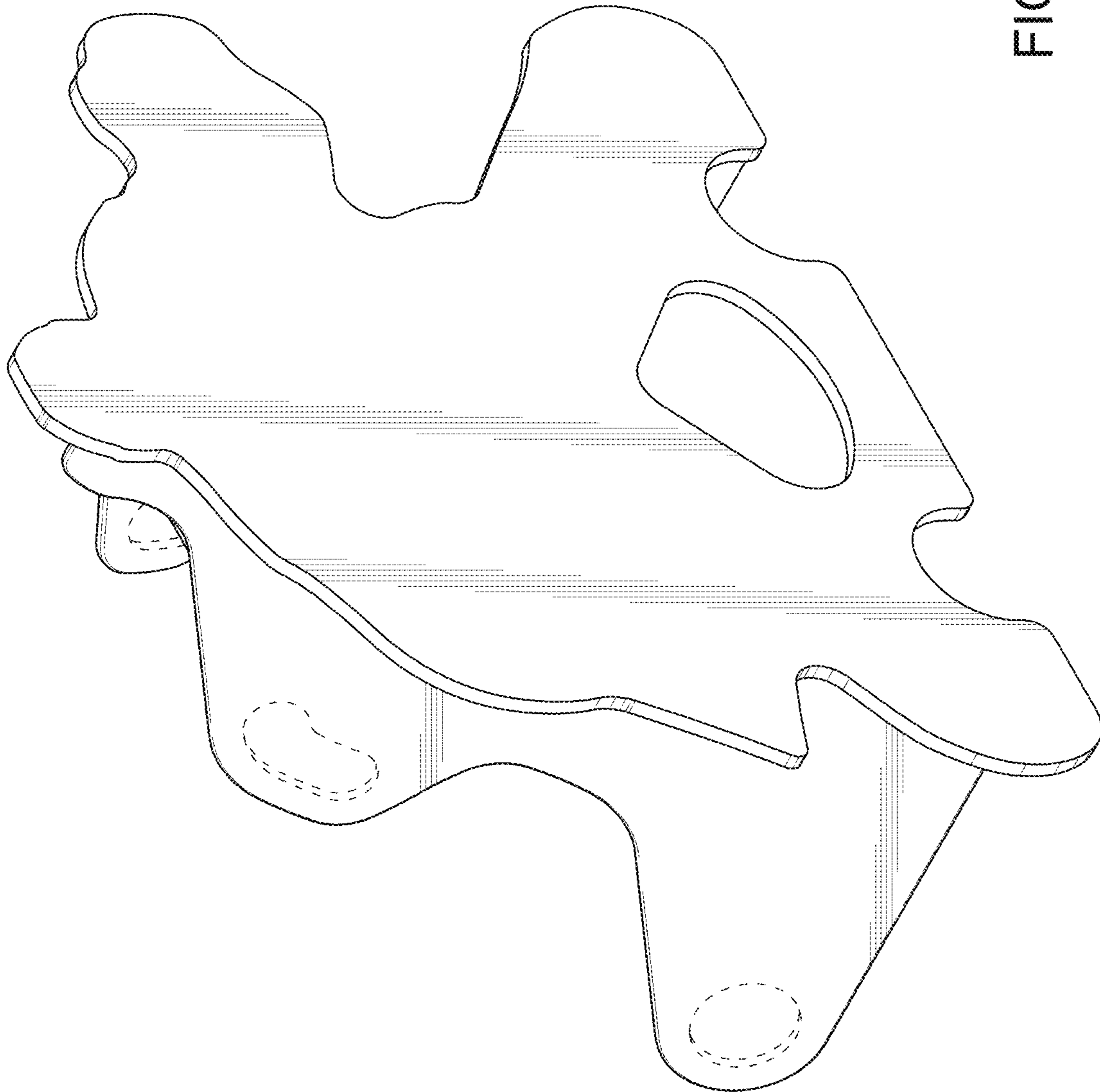


FIG. 1

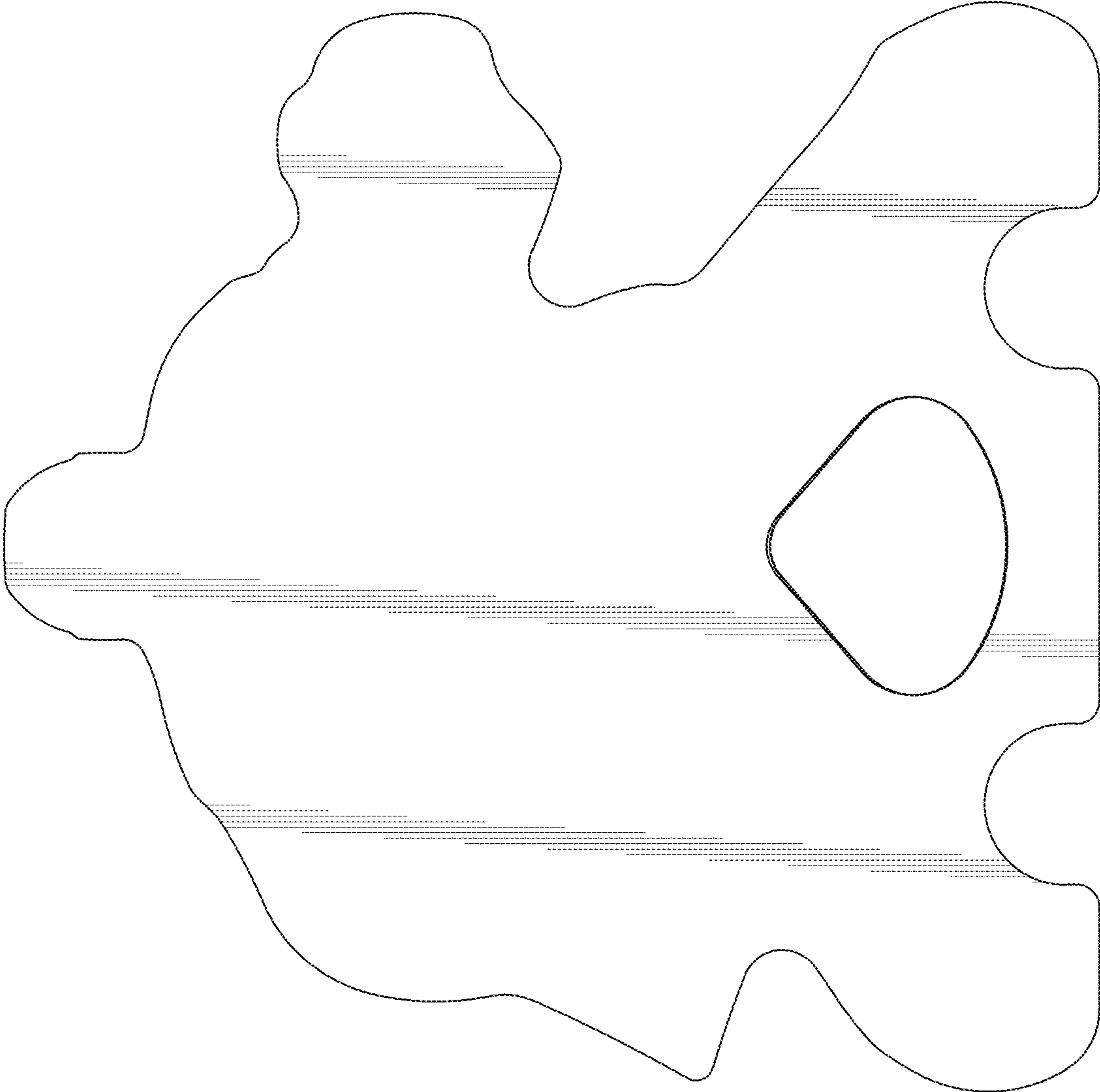


FIG. 2

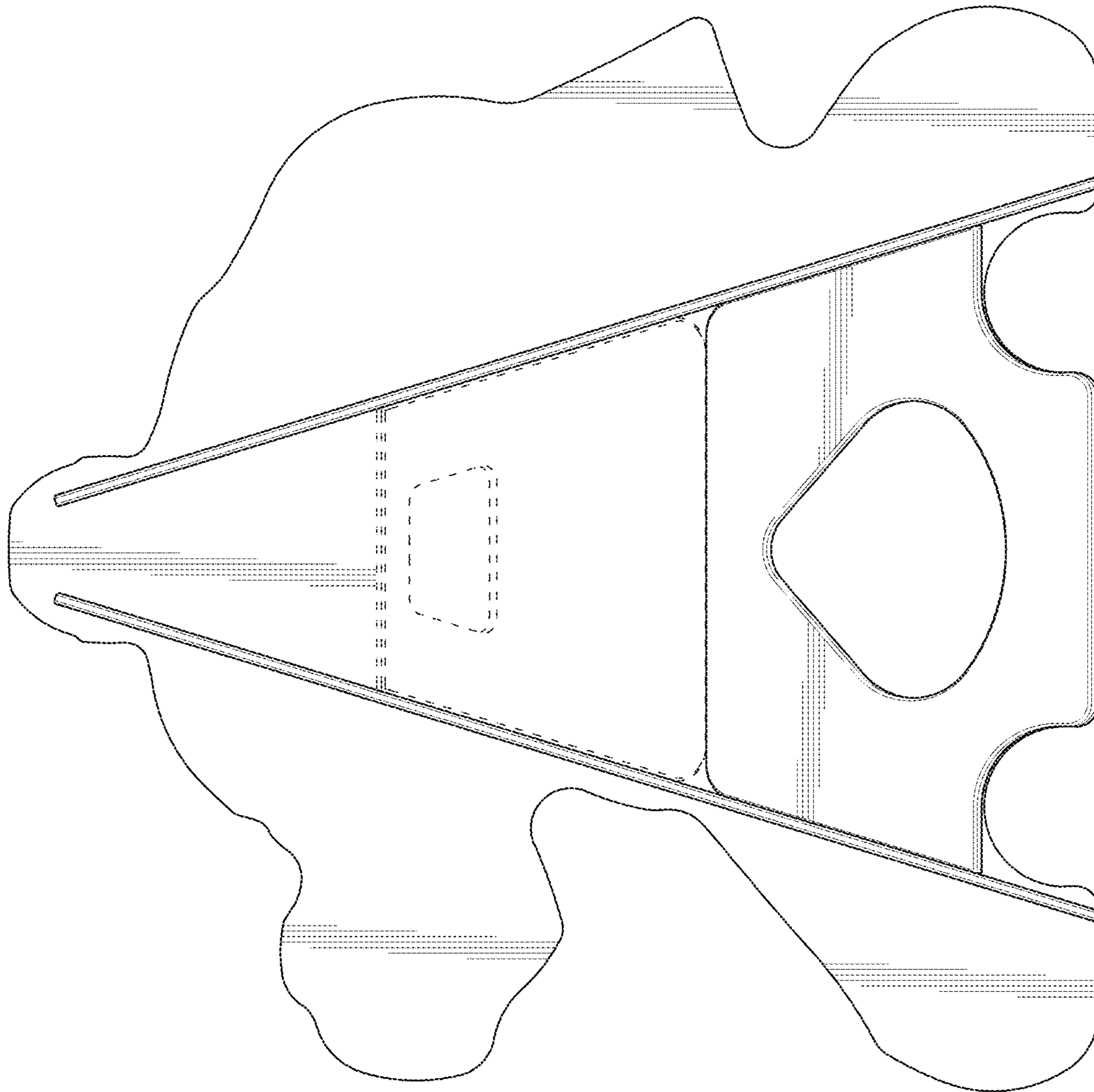


FIG. 3

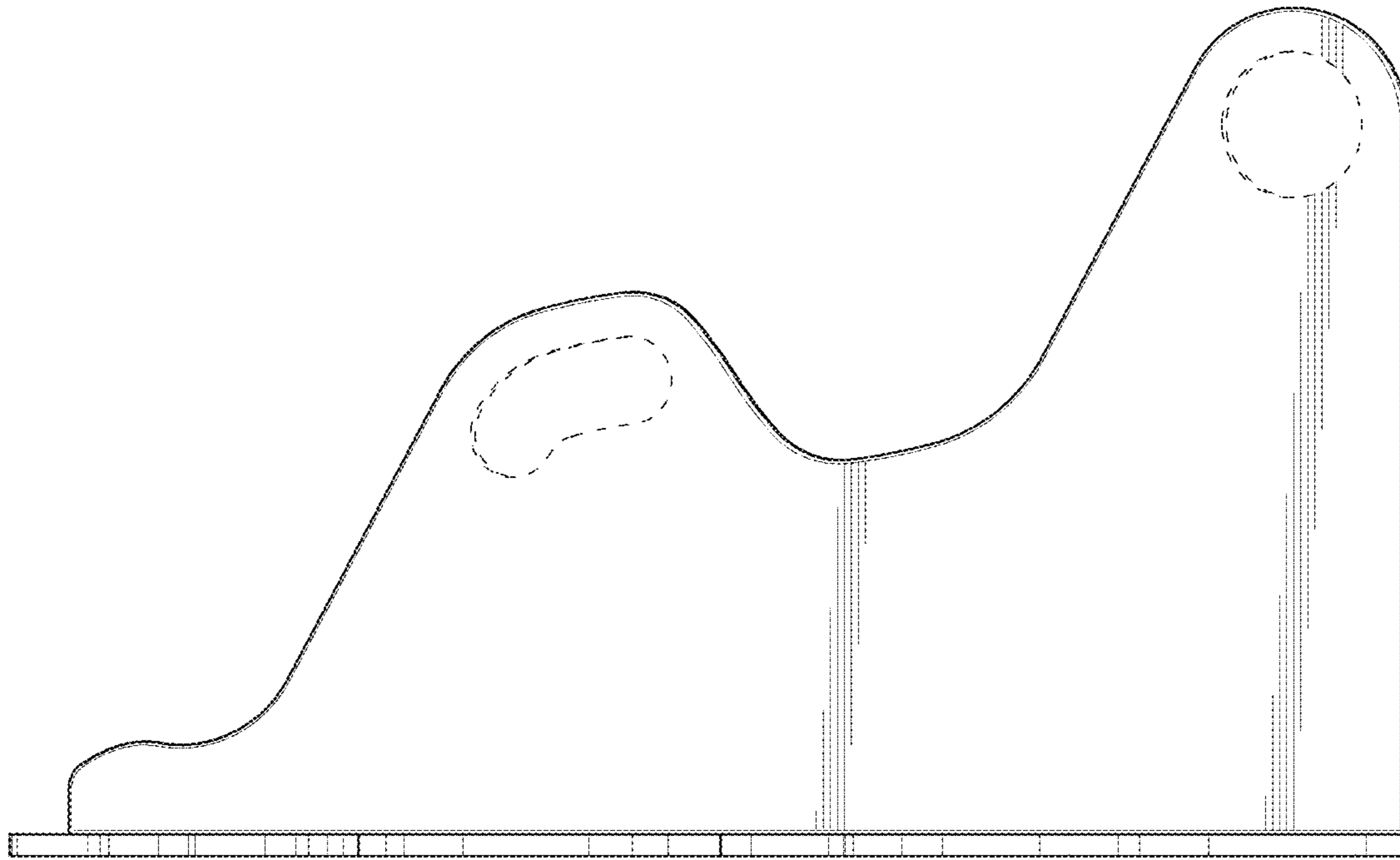


FIG. 5

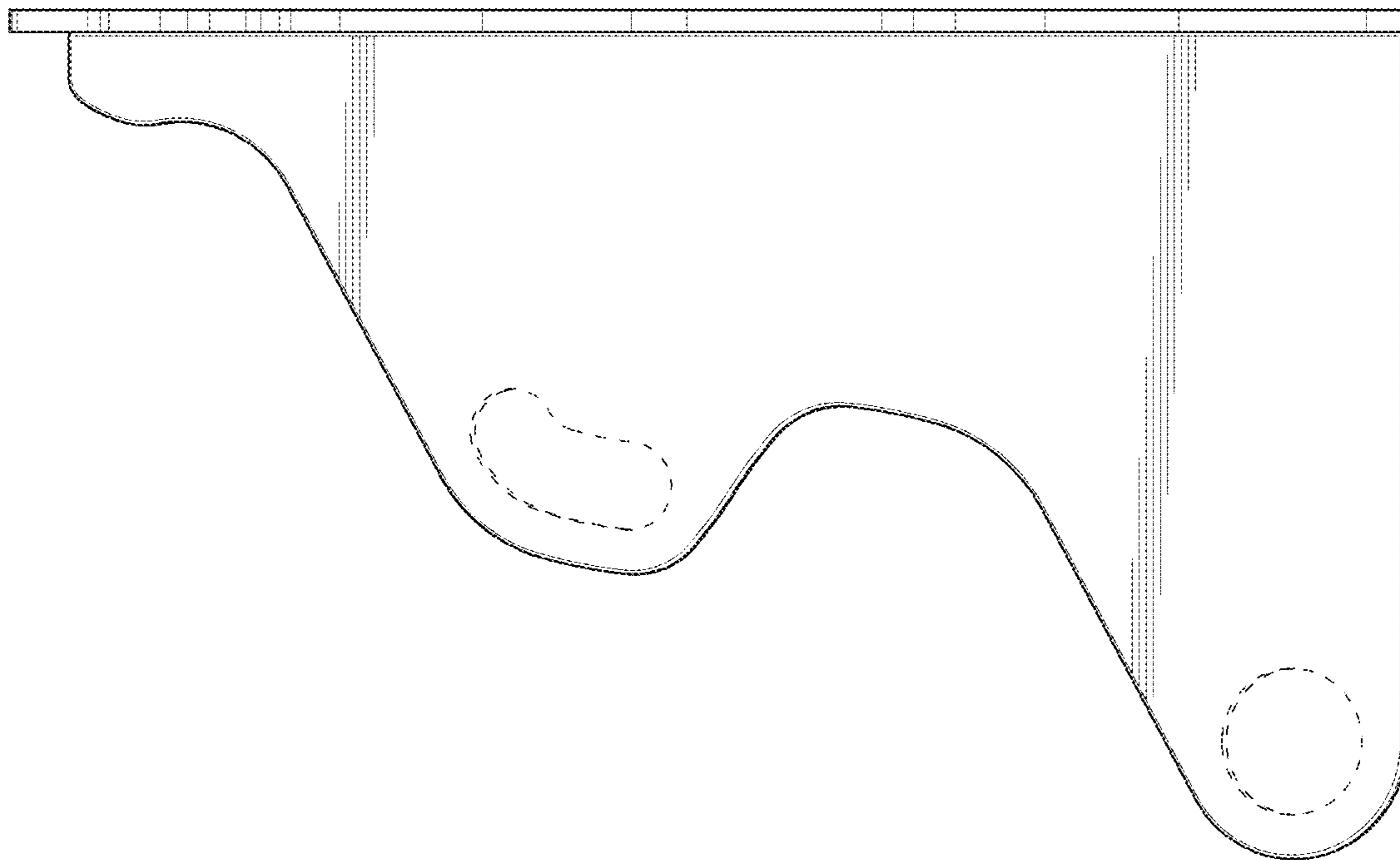


FIG. 4

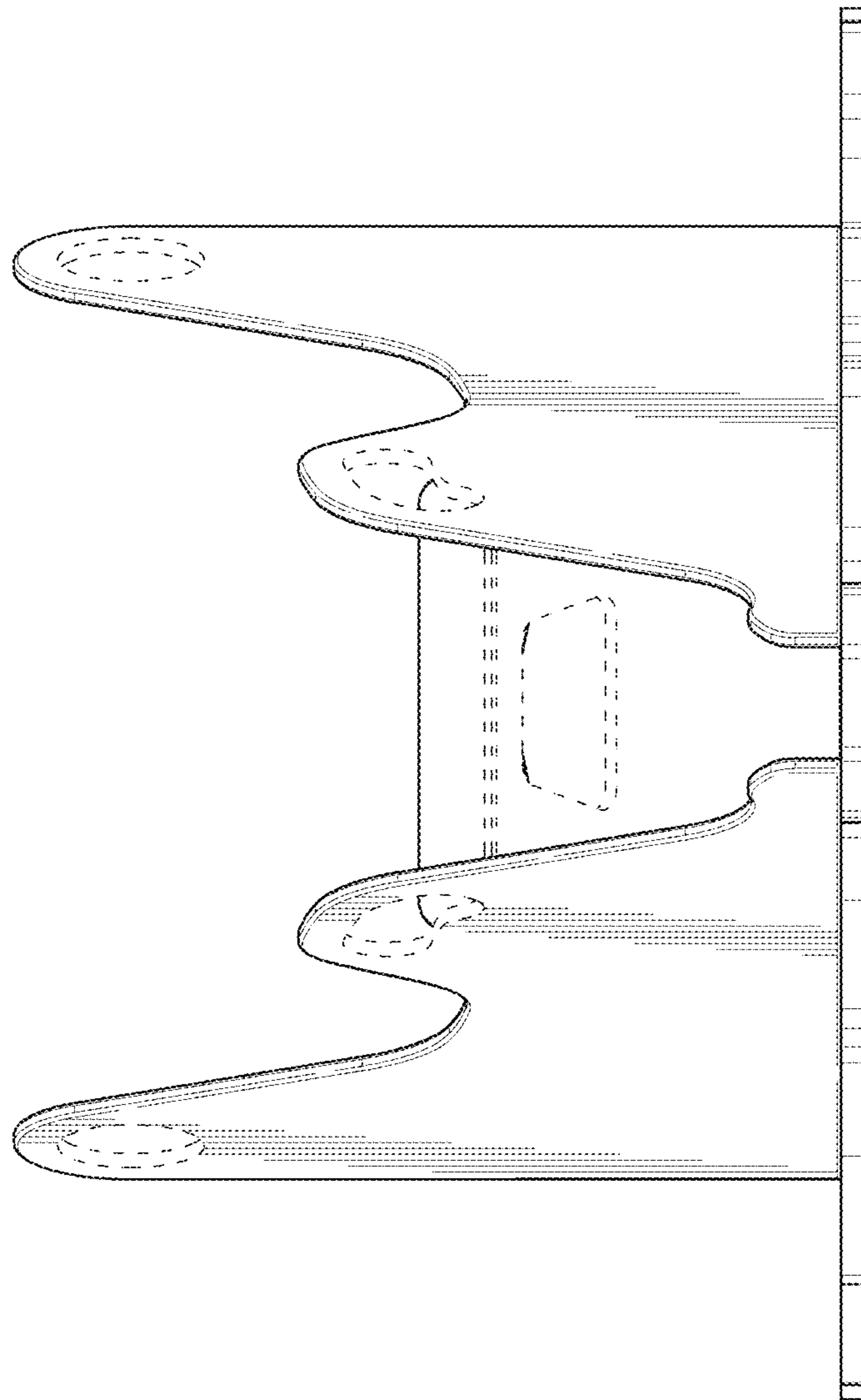


FIG. 6

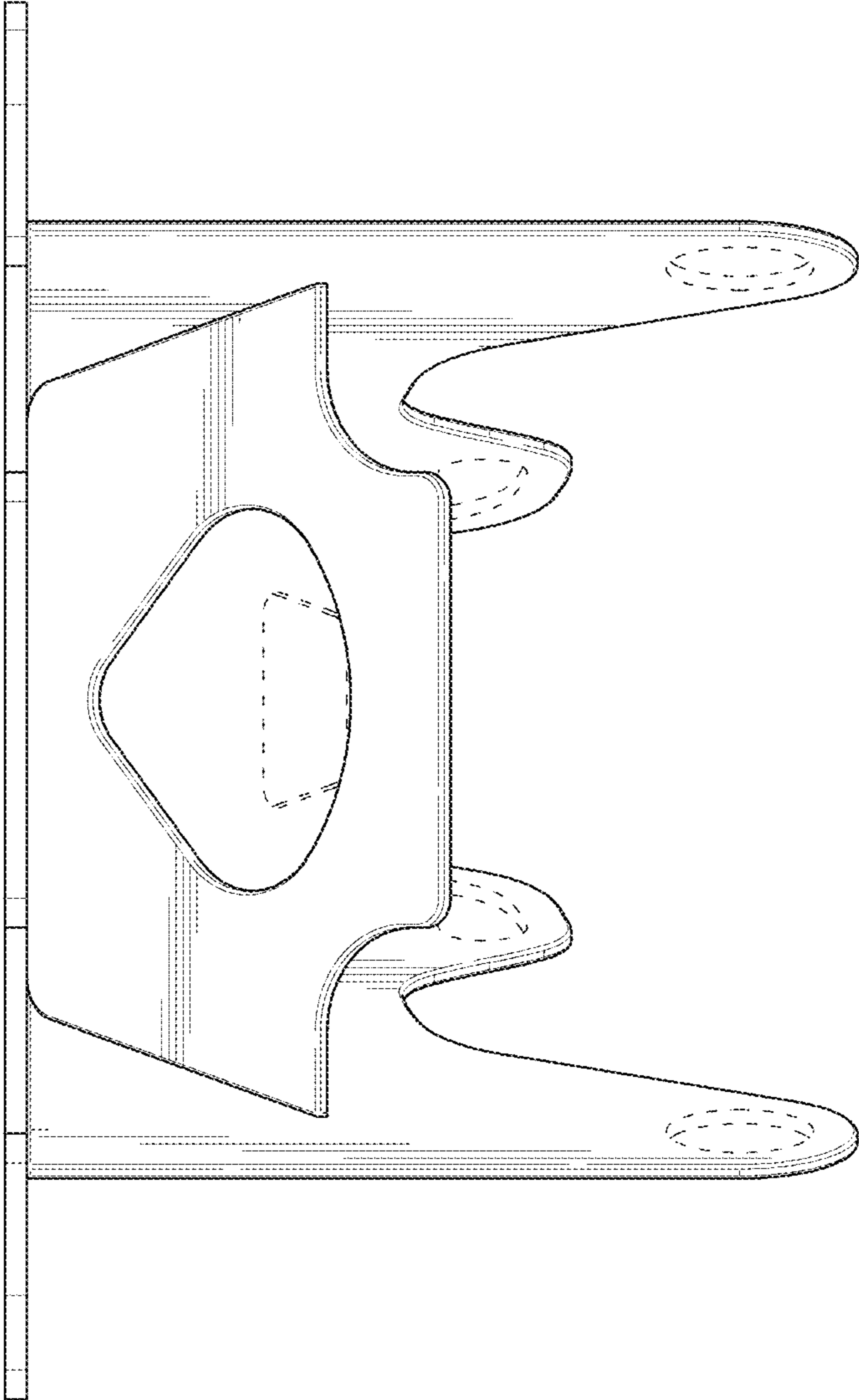


FIG. 7